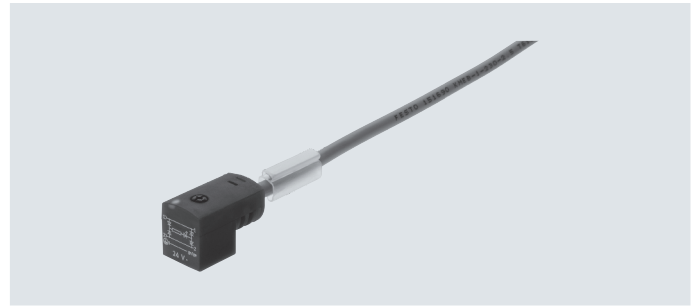


Data sheet

Plug socket with cable KME

- Plug socket with cable for valves with E solenoid coils
- Pre-assembled
- Cable lengths 2.5 to 10 m



General technical data

Electrical connection 1	Angled socket, square design, 3-pin, type C	
Electrical connection 2	Open end, 2-wire	
Switching position indication	Yellow LED	
Protective earth connection	Not provided	
Nominal operating voltage	[V DC]	24
Current rating	[A]	4
Cable composition	[mm ²]	2x0.75
Cable diameter	[mm]	5.2
Cable diameter tolerance	[mm]	±0.1
Min. cable bending radius	[mm]	52
Cable characteristic	For static applications	
Type of mounting	On solenoid valve with M3 central screw	
Mounting position	Any	
Degree of protection	IP67 to IEC 60529	

Materials

Housing	TPE-U(PU)	
Seals	NBR	
Pin contact	Bronze	
Cable sheath	PVC	
PWIS conformity	VDMA24364-B2-L	

Operating and environmental conditions

Ambient temperature	[°C]	-20 ... +80
Corrosion resistance class CRC ¹⁾	1	
CE marking (see declaration of conformity) ²⁾	To EU RoHS Directive	
UKCA marking (see declaration of conformity) ²⁾	To UK RoHS regulations	

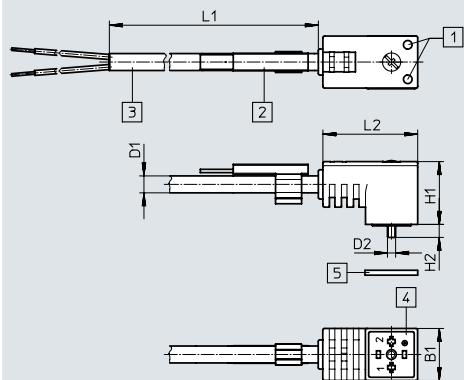
1) More information: www.festo.com/x/topic/kbk

2) More information: www.festo.com/catalogue/... → Support/Downloads.

Data sheet

Dimensions

Download CAD data → www.festo.com



- [1] LED illuminated area
- [2] Inscription label holder ASCF with label ASLR-L-423 (scope of delivery)
- [3] 2-wire cable (2x 0.75 mm²)
- [4] Plug pattern type C
- [5] Seal

Type	B1	D1	D2	H1	H2	L1	L2
KME-1-24-2.5-LED	16	5.2	M3	19.3	4	2500	29.1
KME-1-24-5-LED						5000	
KME-1-24-10-LED						10000	

Ordering data

Electrical connection 1	Cable length [m]	Product weight [g]	Part no.	Type
Angled socket, square design, 3-pin, type C	2.5	135	30943	KME-1-24-2.5-LED
	5	280	30945	KME-1-24-5-LED
	10	570	193455	KME-1-24-10-LED

Festo - Your Partner in Automation



1 Festo Inc.
5300 Explorer Drive
Mississauga, ON L4W 5G4
Canada

Festo Customer Interaction Center
Tel: 1 877 463 3786
Fax: 1 877 393 3786
Email: customer.service.ca@festo.com

2 Festo Pneumatic
Av. Ceylán 3,
Col. Tequesquináhuac
54020 Tlalneantla,
Estado de México

Multinational Contact Center
01 800 337 8669
ventas.mexico@festo.com

3 Festo Corporation
1377 Motor Parkway
Suite 310
Islandia, NY 11749

Festo Customer Interaction Center
1 800 993 3786
1 800 963 3786
customer.service.us@festo.com

4 Regional Service Center
7777 Columbia Road
Mason, OH 45040

Connect with us



www.festo.com/socialmedia



www.festo.com

Subject to change