

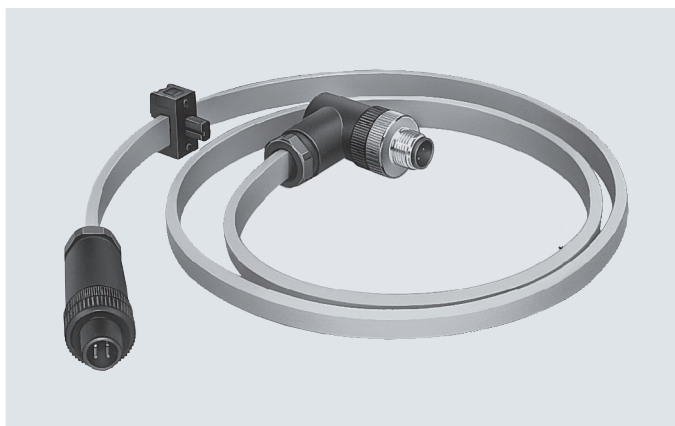
Type codes

001	Series	002	Use
KASI	Connecting cable for AS-Interface	ADR	Addressing cable

Data sheet

Addressing cable KASI-ADR

- T-distributor
- Pre-assembled at three ends
- For connecting the AS-Interface addressing device to any AS-Interface slaves
- Cable length 2.5 m



General technical data

Distributor type	2 to 1
Protocol	AS-Interface
Design	T-distributor with cable at both ends
Cable designation	Without inscription label holder

Technical data – Electrical connection 1

Function	Field device side
Connection type	Socket
Cable outlet	Angled
Design	Rectangular
Connection technology	AS-Interface
Number of pins/wires	2
Assigned pins/wires	2
Type of mounting	Plug-in

Technical data – Electrical connection 2

Function	Field device side
Connection type	Socket
Cable outlet	Straight
Design	Round
Connection technology	M12x1, A-coded to EN 61076-2-101
Number of pins/wires	4
Assigned pins/wires	2
Type of mounting	Plug-in

Technical data – Electrical connection 3

Function	Controller side
Connection type	Plug
Cable outlet	Angled
Design	Round
Connection technology	M12x1, A-coded to EN 61076-2-101
Number of pins/wires	4
Assigned pins/wires	2
Type of mounting	Plug-in

Technical data – Electrics

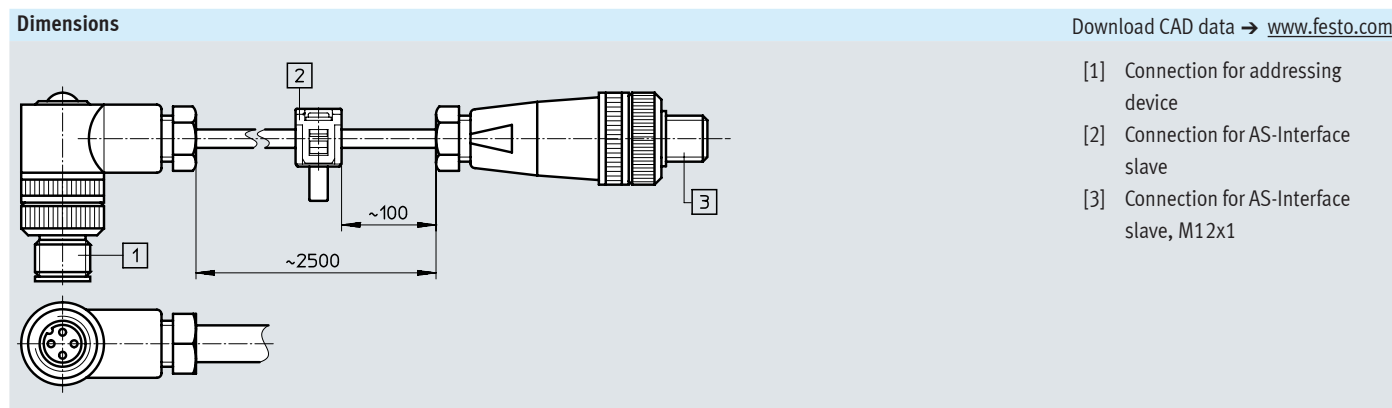
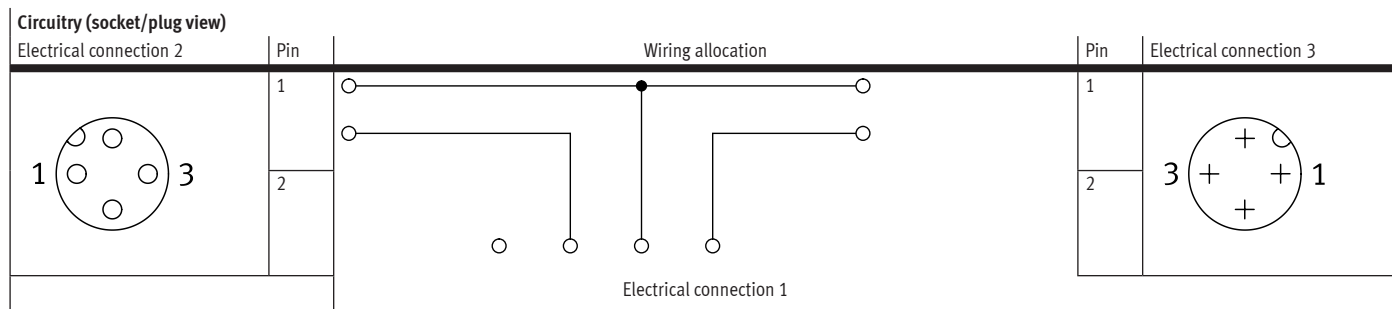
Operating voltage range	[V DC]	0 ... 48
	[V AC]	0 ... 48
Surge resistance	[kV]	0.5
Acceptable current load at 40°C	[A]	3
Pollution degree		2
Additional functions	Connecting the programming device to an AS-Interface component via AS-i flat cable.	

Data sheet

Technical data – Cable		
Cable length 1	[m]	2.4
Cable length 2	[m]	0.1
Cable composition	[mm ²]	2x1.5
Nominal conductor cross section	[mm ²]	1.5
Cable characteristic		Standard
Cable test conditions		Test conditions on request

Materials	
Housing colour	Black
Cable sheath	Rubber compound
Cable sheath colour	Yellow
Note on materials	RoHS-compliant

Operating and environmental conditions		
Ambient temperature	[°C]	-40 ... +85
Ambient temperature with flexible cable installation	[°C]	-25 ... +80
Degree of protection		IP20
Note on degree of protection		In assembled state



Ordering data	Cable length [m]	Part no.	Type
Socket M12x1, 4-pin – AS-Interface socket, 2-pin – plug M12x1, 4-pin	2.5	18960	KASI-ADR

Festo - Your Partner in Automation



1 Festo Inc.
5300 Explorer Drive
Mississauga, ON L4W 5G4
Canada

Festo Customer Interaction Center
Tel: 1 877 463 3786
Fax: 1 877 393 3786
Email: customer.service.ca@festo.com



2 Festo Pneumatic
Av. Ceylán 3,
Col. Tequesquináhuac
54020 Tlalnepantla,
Estado de México

Multinational Contact Center
01 800 337 8669
ventas.mexico@festo.com



3 Festo Corporation
1377 Motor Parkway
Suite 310
Islandia, NY 11749

Festo Customer Interaction Center
1 800 993 3786
1 800 963 3786
customer.service.us@festo.com



4 Regional Service Center
7777 Columbia Road
Mason, OH 45040

Connect with us



www.festo.com/socialmedia



www.festo.com

Subject to change