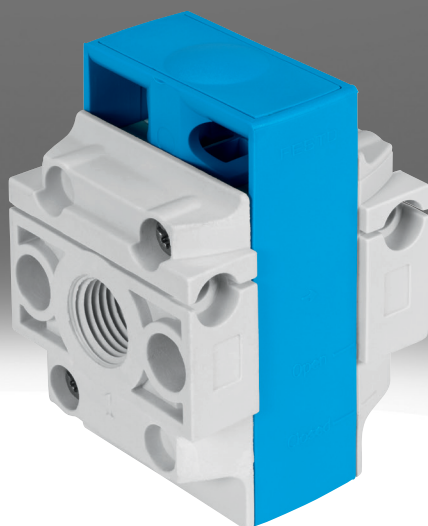


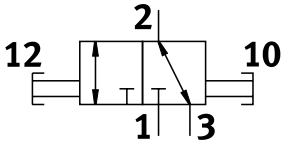
## On/off valve HE-DB

**FESTO**



## Characteristics

### At a glance



3/2-way manual shut-off valve

- The switching position is recognisable
- Commercially available padlock for security

### Version

[DB] D series, polymer

The product is being discontinued. Please do not use for new projects. For a modern alternative, see the online catalogue.

## Type code

001	Series
HE	On/off-exhaust valve

002	Pneumatic connection
1/4	Female thread G1/4

003	Version
DB	D series, polymer

004	Size
MINI	Grid dimension 40 mm (without connecting plates)

## Datasheet

## General technical data

Pneumatic connection, port 1	G1/4
Pneumatic connection, port 2	G1/4
Design	On/off valve
lap	Underlap
Type of actuation	Manual
Type of mounting	In-line installation With through-hole
Air purity class at output	Compressed air to ISO 8573-1:2010 [7:4:4], Inert gases
Valve function	3/2 double solenoid
Actuator lock	Padlock (optional)
Manual override	None
Exhaust-air function	Without flow control option
Type of piloting	Direct
Sealing principle	Soft

## Characteristic flow rate

Standard nominal flow rate (standardised to DIN 1343) <sup>1)</sup>	2,300 l/min
Standard nominal flow rate 2-3	700 l/min
C value	6.3 l/sbar
b value	0.8

1) Measured at p1 = 6 bar and p2 = 5 bar, Δp = 1 bar.

## Operating and environmental conditions

Operating pressure	0 ... 1 MPa
Operating pressure	0 ... 10 bar
Operating medium	Compressed air to ISO 8573-1:2010 [7:4:4], Inert gases
Note on operating and pilot medium	Lubricated operation not possible
Ambient temperature	-5 ... 50°C
Media temperature	-5 ... 50°C
Corrosion resistance class CRC <sup>1)</sup>	1 - Low corrosion stress

1) More information [www.festo.com/x/topic/crc](http://www.festo.com/x/topic/crc)

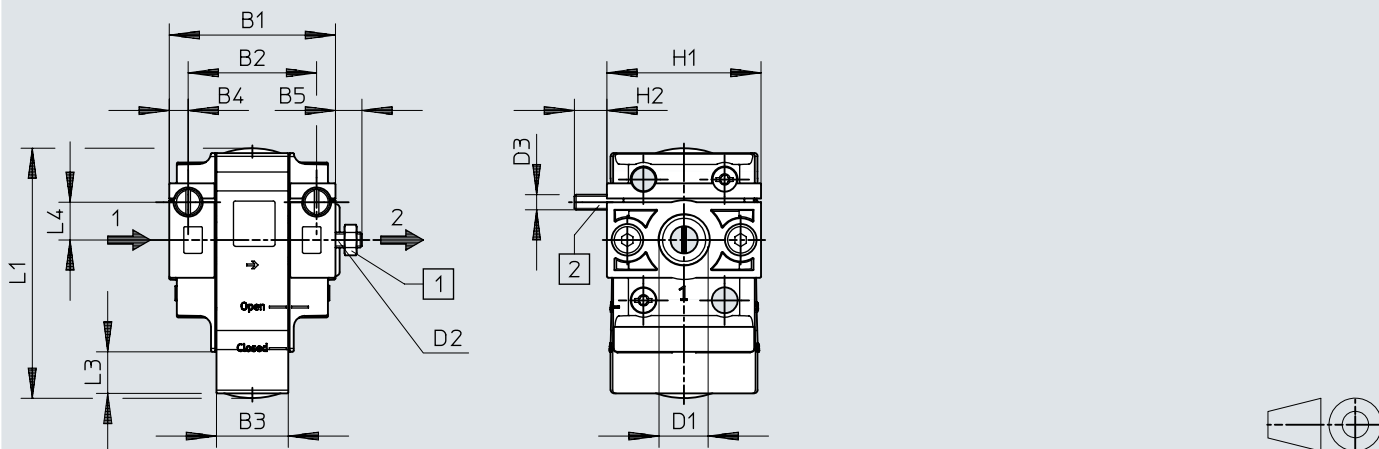
## Materials

Material housing	PA-reinforced
Material piston slide	POM
Material seals	FPM
Note on materials	RoHS-compliant
LABS (PWIS) conformity	VDMA24364-B1/B2-L

## Dimensions

### Dimensions – Mini


Download CAD data [www.festo.com](http://www.festo.com)



- [1] Socket head screw with hex nut for mounting with the following service unit component (2 included in the scope of delivery)
- [2] Socket head screw for wall mounting (2 included in the scope of delivery)

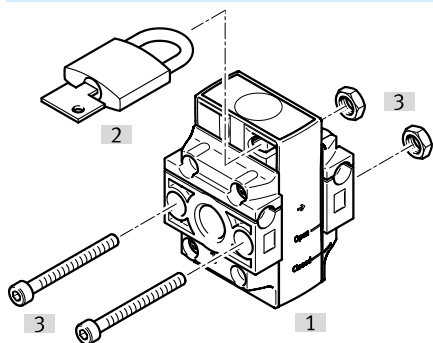
	B1	B2	B3	B4	B5	D1	D2	D3	H1	H2	L1	L2	L3	L4
HE-1/4-DB	44	34	19	5	7	G1/4	M4	M4	41	9	66	42	11	10

## Ordering data

Ordering data						
	Size	Pneumatic connection, port 1	Pneumatic connection, port 2	Product weight	Part no.	Type
	Grid dimension 40 mm (without connecting plates)	G1/4	G1/4	66 g	<b>3563687</b>	<b>HE-1/4-DB-MINI</b>

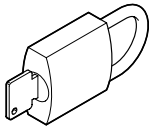
## Peripherals

### Peripherals overview



Accessories		→ Link
Type/order code	Description	
[1] On/off valve HE-DB		<a href="#">he-db</a>
[2] Padlock LRVS-D		<a href="#">8</a>
[3] Socket head screw with hex nut	For mounting with the following service unit component (2 pieces included in the scope of delivery) DIN 912-M4X40-8.8/DIN 934-M4-6AU	<a href="#">he-db</a>
Socket head screw for wall mounting	No illustration (2 pieces included in the scope of delivery) DIN 84-M4X45-4.8	<a href="#">he-db</a>

## Accessories

Padlock LRVS-D						
	Corrosion resistance class CRC <sup>1)</sup>	LABS (PWIS) conformity	Note on materials	Product weight	Part no.	Type
	2 - Moderate corrosion stress	VDMA24364-B1/B2-L	RoHS-compliant	120 g	<b>193786</b>	<b>LRVS-D</b>

1) More information [www.festo.com/x/topic/crc](http://www.festo.com/x/topic/crc)