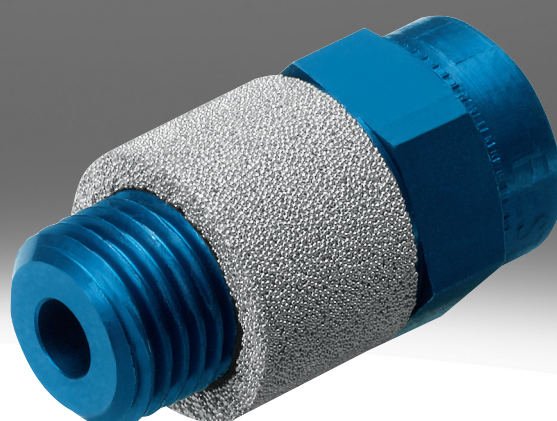


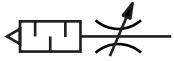
## Exhaust air flow control valve GRE-NPT

**FESTO**



## Characteristics

### At a glance



Screw-in exhaust air control with silencer function.

- Exhaust air flow control valve GRE: sintered metal

Type code

001	Series
GRE	Exhaust air flow control valve

002	Pneumatic connection
1/8-NPT	Male thread 1/8 NPT
1/4-NPT	Male thread 1/4 NPT
3/8-NPT	Male thread 3/8 NPT
1/2-NPT	Male thread 1/2 NPT

## Datasheet

**General technical data**

Valve function	Sound pressure control function			
Pneumatic connection, port 1	1/8 NPT	1/4 NPT	1/2 NPT	NPT3/8-18
Adjustment component	Slotted head screw			
Type of mounting	Screw-in			

**Operating and environmental conditions**

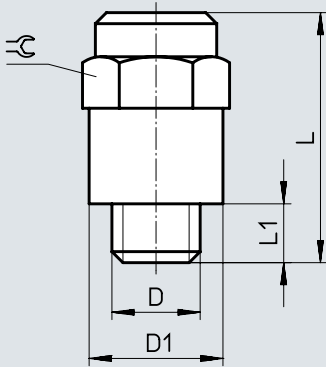
Pneumatic connection, port 1	1/8 NPT	1/4 NPT	1/2 NPT	NPT3/8-18
Operating pressure	0 ... 10 bar			
Operating medium	Compressed air to ISO 8573-1:2010 [7:::]			Compressed air to ISO 8573-1:2010 [7:4:4]
Note on operating and pilot medium	Lubricated operation possible (in which case lubricated operation will always be required)			
Ambient temperature	-10 ... 70°C			
Media temperature	-10 ... 70°C			

**Materials**

Pneumatic connection, port 1	1/8 NPT	1/4 NPT	1/2 NPT	NPT3/8-18
Note on materials	RoHS-compliant	–	RoHS-compliant	
LABS (PWIS) conformity	VDMA24364-B1/B2-L			


## Dimensions

Dimensions – Exhaust air flow control valves GRE

Download CAD data [www.festo.com](http://www.festo.com)

	D	D1 ∅ [mm / in]	L [mm / in]	L1 [mm / in]	☉
GRE-1/8-NPT	1/8 NPT	15,3 / 0,6	34 / 1,34	10,7 / 0,42	9/16
GRE-1/4-NPT	1/4 NPT	18,8 / 0,74	42 / 1,65	14,7 / 0,58	11/16
GRE-3/8-NPT	3/8 NPT	25 / 0,98	50 / 1,97	14,6 / 0,57	7/8
GRE-1/2-NPT	1/2 NPT	27 / 1,06	57 / 2,24	19,4 / 0,76	11/16

## Ordering data

Ordering data – Exhaust air flow control valves GRE				
	Pneumatic connection, port 1	Standard flow rate 0.6->0 MPa (6->0 bar, 87->0 psi)	Part no.	Type
	1/8 NPT	0 ... 520 l/min	<b>10057</b>	<b>GRE-1/8-NPT</b>
	1/4 NPT	0 ... 996 l/min	<b>10058</b>	<b>GRE-1/4-NPT</b>
	1/2 NPT	0 ... 3600 l/min	<b>10059</b>	<b>GRE-1/2-NPT</b>
	NPT3/8-18	3 ... 2000 l/min	<b>35311</b>	<b>GRE-3/8-NPT</b>