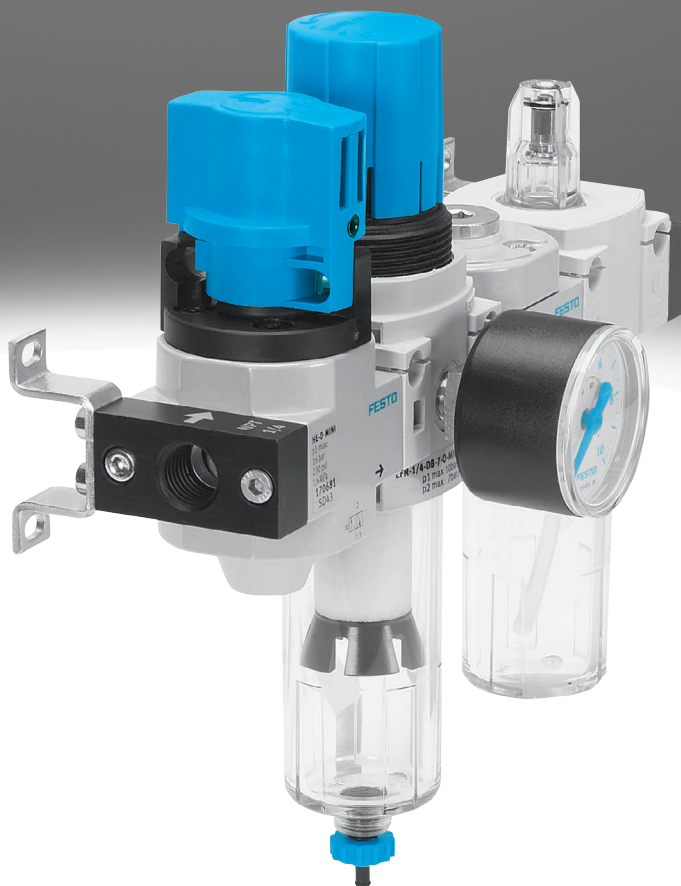
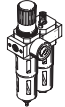
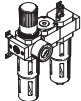
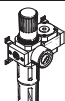

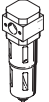
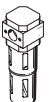
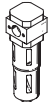
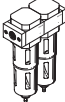
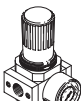


## Service units FRC-K, D series

**FESTO**



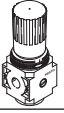
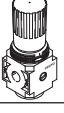
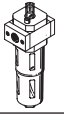
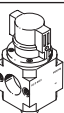
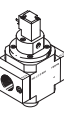
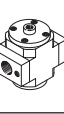
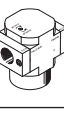


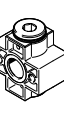
Product range overview – Service unit components, D series, metal

Type	Size	Pneumatic connection									Pressure regulation range [bar]			Grade of filtration [µm]					
		M5	M7	G1/8	G1/4	G3/8	G1/2	G3/4	G1	QS4	QS6	0.5 ...	0.5 ...	2.5 ...	0.01	1	5	40	
<b>Service units</b>																			
FRC/FRCS		Mini	-	-	■	■	■	-	-	-	-	■	■	-	-	-	■	■	
		Midi	-	-	-	■	■	■	-	-	-	■	■	-	-	-	■	■	
		Maxi	-	-	-	-	-	■	■	■	-	-	■	■	-	-	-	■	■
FRC-K		Mini	-	-	■	■	-	-	-	-	-	■	■	-	-	-	-	■	
		Midi	-	-	-	■	■	■	-	-	-	-	■	■	-	-	-	-	■
		Maxi	-	-	-	-	-	■	■	-	-	-	■	■	-	-	-	-	■
LFR-K		Mini	-	-	■	■	-	-	-	-	-	■	■	-	-	-	-	■	
		Midi	-	-	-	■	■	■	-	-	-	-	■	■	-	-	-	-	■
		Maxi	-	-	-	-	-	■	■	-	-	-	-	■	■	-	-	-	■
<b>Individual devices</b>																			
Filter regulators LFR/LFRS		Mini	-	-	■	■	■	-	-	-	-	■	■	-	-	-	■	■	
		Midi	-	-	-	■	■	■	■	-	-	-	■	■	-	-	-	■	■
		Maxi	-	-	-	-	-	■	■	■	-	-	■	■	-	-	-	■	■
Filters LF		Mini	-	-	■	■	■	-	-	-	-	-	-	-	-	-	■	■	
		Midi	-	-	-	■	■	■	■	-	-	-	-	-	-	-	-	■	■
		Maxi	-	-	-	-	-	■	■	■	-	-	-	-	-	-	-	■	■
Fine and micro filters LFMA/LFMB		Mini	-	-	■	■	■	-	-	-	-	-	-	■	■	-	-	-	
		Midi	-	-	-	■	■	■	■	-	-	-	-	-	■	■	-	-	-
		Maxi	-	-	-	-	-	■	■	■	-	-	-	-	■	■	-	-	-
Activated carbon filters LFX		Mini	-	-	■	■	■	-	-	-	-	-	-	-	-	-	-	-	
		Midi	-	-	-	■	■	■	■	-	-	-	-	-	-	-	-	-	-
		Maxi	-	-	-	-	-	■	■	■	-	-	-	-	-	-	-	-	-
Filter combinations LFMBA		Mini	-	-	■	■	■	-	-	-	-	-	-	■	■	-	-	-	
		Midi	-	-	-	■	■	■	■	-	-	-	-	-	■	■	-	-	-
		Maxi	-	-	-	-	-	■	■	■	-	-	-	-	■	■	-	-	-
Druckregelventile LR/LRS		Mini	-	-	■	■	■	-	-	-	-	■	■	-	-	-	-	-	
		Midi	-	-	-	■	■	■	■	-	-	-	■	■	-	-	-	-	-
		Maxi	-	-	-	-	-	■	■	■	-	-	■	■	-	-	-	-	-

Product range overview – Service unit components, D series, metal

Type	Size	Bowl guard		Condensate drain			Pressure indicator		Actuator lock		Supply voltage			Options			→ Page/ Internet
		Metal bowl guard	Plastic bowl	Manual	Semi-automatic	Fully automatic	With pressure gauge	Without pressure gauge	Rotary knob with latch	Rotary knob with integrated lock	24 V DC	110 V AC	230 V AC	Directly actuated pressure regulator with integrated return flow function	Pilot actuated pressure regulator with integrated return flow function	Differential pressure display	
<b>Service units</b>																	
<b>FRC/FRCS</b>	Mini	■	-	■	-	■	■	■	■	■	-	-	-	-	-	-	frc
	Midi	■	-	■	-	■	■	■	■	■	-	-	-	-	-	-	
	Maxi	■	-	■	-	■	■	■	■	■	-	-	-	■	■	-	
<b>FRC-K</b>	Mini	■	-	■	-	■	■	-	■	-	■	-	-	-	-	-	6
	Midi	■	-	■	-	■	■	-	■	-	■	-	-	-	-	-	
	Maxi	■	-	■	-	■	■	-	■	-	■	-	-	■	■	-	
<b>LFR-K</b>	Mini	■	-	■	-	■	■	-	■	■	■	-	-	-	-	-	lfr
	Midi	■	-	■	-	■	■	-	■	■	■	-	-	-	-	-	
	Maxi	■	-	■	-	■	■	-	■	■	■	-	-	■	■	-	
<b>Individual devices</b>																	
Filter regulators <b>LFR/LFRS</b>	Mini	■	-	■	-	■	■	■	■	■	-	-	-	-	-	-	lfr
	Midi	■	-	■	-	■	■	■	■	■	-	-	-	-	-	-	
	Maxi	■	-	■	-	■	■	■	■	■	-	-	-	■	■	-	
Filters <b>LF</b>	Mini	■	-	■	-	■	-	-	-	-	-	-	-	-	-	-	lf
	Midi	■	-	■	-	■	-	-	-	-	-	-	-	-	-	-	
	Maxi	■	-	■	-	■	-	-	-	-	-	-	-	-	-	-	
Fine and micro filters <b>LFMA/LFMB</b>	Mini	■	-	■	-	■	-	-	-	-	-	-	-	-	-	■	lfma, lfmb
	Midi	■	-	■	-	■	-	-	-	-	-	-	-	-	-	■	
	Maxi	■	-	■	-	■	-	-	-	-	-	-	-	-	-	■	
Activated carbon filters <b>LFX</b>	Mini	■	-	-	-	-	-	-	-	-	-	-	-	-	-	-	lfx
	Midi	■	-	-	-	-	-	-	-	-	-	-	-	-	-	-	
	Maxi	■	-	-	-	-	-	-	-	-	-	-	-	-	-	-	
Filter combinations <b>LFMBA</b>	Mini	■	-	■	-	■	-	-	-	-	-	-	-	-	-	■	lfmba
	Midi	■	-	■	-	■	-	-	-	-	-	-	-	-	-	■	
	Maxi	■	-	■	-	■	-	-	-	-	-	-	-	-	-	■	
Pressure regulators <b>LR/LRS</b>	Mini	-	-	-	-	-	■	■	■	■	-	-	-	■	-	-	lr
	Midi	-	-	-	-	-	■	■	■	■	-	-	-	■	-	-	
	Maxi	-	-	-	-	-	■	■	■	■	-	-	-	■	■	-	

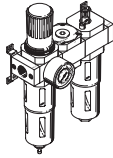
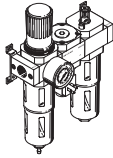
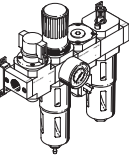
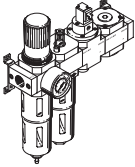
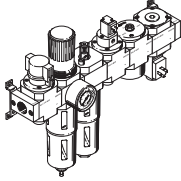
Product range overview – Service unit components, D series, metal

Type	Size	Pneumatic Connection										Pressure regulation range [bar]		
		M5	M7	G1/8	G1/4	G3/8	G1/2	G3/4	G1	QS4	QS6	0.5 ... 7	0.5 ... 12	
<b>Individual devices</b>														
Pressure regulators <b>LRB/LRBS</b>		Mini	-	-	-	■	-	-	-	-	-	-	■	■
	Midi	-	-	-	-	■	-	-	-	-	-	-	■	■
	Maxi	-	-	-	-	-	-	-	-	-	-	-	-	-
Pressure regulator manifolds <b>LRB-K</b>		Mini	-	-	-	■	■	-	-	-	-	-	■	■
	Midi	-	-	-	-	■	■	-	-	-	-	-	■	■
	Maxi	-	-	-	-	-	-	-	-	-	-	-	-	-
Lubricators <b>LOE</b>		Mini	-	-	■	■	■	-	-	-	-	-	-	-
	Midi	-	-	-	■	■	■	■	-	-	-	-	-	-
	Maxi	-	-	-	-	-	■	■	■	-	-	-	-	-
On/off valves <b>HE</b>		Mini	-	-	■	■	■	-	-	-	-	-	-	-
	Midi	-	-	-	■	■	■	■	-	-	-	-	-	-
	Maxi	-	-	-	-	-	■	■	■	-	-	-	-	-
On/off valves <b>HEE</b>		Mini	-	-	■	■	■	-	-	-	-	-	-	-
	Midi	-	-	-	■	■	■	■	-	-	-	-	-	-
	Maxi	-	-	-	-	-	■	■	■	-	-	-	-	-
On/off valves <b>HEP</b>		Micro	-	-	-	-	-	-	-	-	-	-	-	-
	Mini	-	-	■	■	■	-	-	-	-	-	-	-	-
	Midi	-	-	-	■	■	■	■	-	-	-	-	-	-
Soft-start valves <b>HEL</b>		Micro	-	-	-	-	-	-	-	-	-	-	-	-
	Mini	-	-	■	■	■	-	-	-	-	-	-	-	-
	Midi	-	-	-	■	■	■	■	-	-	-	-	-	-
Membrane air dryers <b>LDM1</b>		Mini	-	-	-	-	-	-	-	-	-	-	-	-
	Midi	-	-	-	-	-	-	-	-	-	-	-	-	-
	Maxi	-	-	-	-	-	■	■	■	-	-	-	-	-
Branching modules <b>FRM</b>		Mini	-	-	■	■	■	-	-	-	-	-	-	-
	Midi	-	-	-	■	■	■	■	-	-	-	-	-	-
	Maxi	-	-	-	-	-	■	■	■	-	-	-	-	-
Distributor block <b>FRZ</b>		Mini	-	-	-	-	-	-	-	-	-	-	-	-
	Midi	-	-	-	-	-	-	-	-	-	-	-	-	-
	Maxi	-	-	-	-	-	-	-	-	-	-	-	-	-

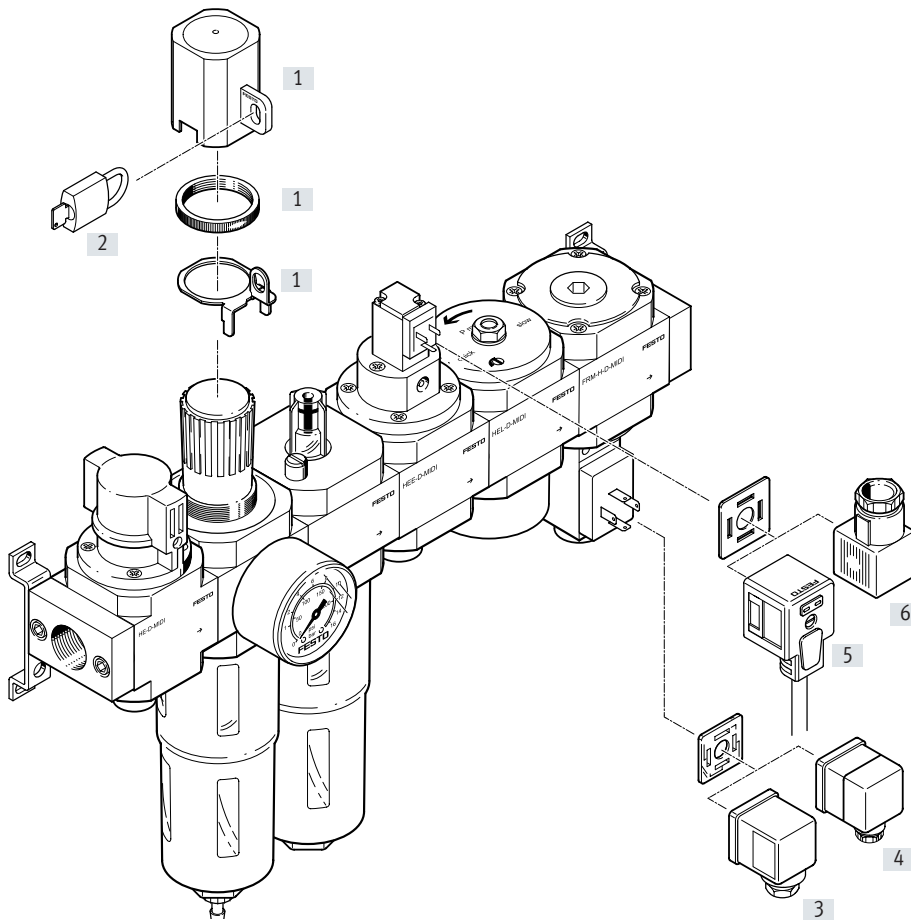
## Product range overview – Service unit components, D series, metal

Type	Size	Bowl guard		Pressure indicator		Actuator lock		Supply voltage			Options		→ Page/ Internet
		Metal bowl guard	Plastic bowl	With pressure gauge	Without pressure gauge	Rotary knob with latch	Rotary knob with integrated lock	24 V DC	110 V AC	230 V AC	With non-return function	Pressure switch	
<b>Individual devices</b>													
Pressure regulators <b>LRB/LRBS</b>	Micro	-	-	-	■	■	■	-	-	-	-	-	lrb
	Mini	-	-	-	■	■	■	-	-	-	-	-	
	Midi	-	-	-									
Pressure regulator manifolds <b>LRB-K</b>	Mini	-	-	-	■	■	-	-	-	-	-	-	lrb
	Midi	-	-	-	■	■	-	-	-	-	-	-	
	Maxi	-	-	-									
Lubricators <b>LOE</b>	Mini	■	-	-	■	-	-	-	-	-	-	-	loe
	Midi	■	-	-	■	-	-	-	-	-	-	-	
	Maxi	■	-	-	■	-	-	-	-	-	-	-	
On/off valves <b>HE</b>	Mini	-	-	-	■	■	-	-	-	-	-	-	he
	Midi	-	-	-	■	■	-	-	-	-	-	-	
	Maxi	-	-	-	■	■	-	-	-	-	-	-	
On/off valves <b>HEE</b>	Mini	-	-	-	■	-	-	■	■	■	-	-	hee
	Midi	-	-	-	■	-	-	■	■	■	-	-	
	Maxi	-	-	-	■	-	-	■	■	■	-	-	
On/off valves <b>HEP</b>	Micro	-	-	-									hep
	Mini	-	-	-	■	-	-	-	-	-	-	-	
	Midi	-	-	-	■	-	-	-	-	-	-	-	
Soft-start valves <b>HEL</b>	Micro	-	-	-									hel
	Mini	-	-	-	■	-	-	-	-	-	-	-	
	Midi	-	-	-	■	-	-	-	-	-	-	-	
Membrane air dryers <b>LDM1</b>	Mini	-	-	-									ldm1
	Midi	-	-	-									
	Maxi	■	-	-	■	-	-	-	-	-	-	-	
Branching modules <b>FRM</b>	Mini	-	-	-	■	-	-	-	-	-	■	■	frm
	Midi	-	-	-	■	-	-	-	-	-	■	■	
	Maxi	-	-	-	■	-	-	-	-	-	■	■	
Distributor block <b>FRZ</b>	Mini	-	-	-	■	-	-	-	-	-	-	-	frz
	Midi	-	-	-	■	-	-	-	-	-	-	-	
	Maxi	-	-	-	■	-	-	-	-	-	-	-	

Product range overview

FRC Rotary knob with latch	 WTP	 RH	 KC	 KE	 KF
<b>Individual devices</b>					
On/off valve Manually operated	-	-	■	-	■
Filter regulator with pressure gauge	■	■	■	■	■
Branching module	■	-	-	-	-
Branching module with pressure switch	-	■	■	-	■
Lubricators	■	■	■	■	■
On/off valve Electrically actuated, 24 V DC	-	-	-	■	■
Soft-start valve Pneumatically actuated	-	-	-	■	■
Mounting bracket	■	■	■	■	■
→ Page/Internet	9	12	15	18	21

Peripherals overview



**Note**  
 The range of accessories depends on the service unit selected. The example shows service unit FRC-KF.  
 Range of accessories  
 → Peripherals pages of the individual devices

Mounting attachments and accessories		→ Page/Internet
[1]	Regulator lock LRVS	lrvs-d
[2]	Padlock LRVS	lrvs-d
[3]	Plug socket MSSD-C	35
[4]	Angled plug socket PEV-...-WD-LED	35
[5]	Plug socket with cable KMEB-1	35
[6]	Plug socket MSSD-EB	35
-	Filter cartridge LFP	34
-	Special oil OFSW	34

## Type codes

001		Series
FRC		Service unit

002		Pneumatic connection
1/8		Female thread G1/8
1/4		Female thread G1/4
3/8		Female thread G3/8
1/2		Female thread G1/2
3/4		Female thread G3/4

003		Version
D		D series, metal

004		Size
MINI		Grid dimension 40 mm (without connecting plates)
MIDI		Grid dimension 55 mm (without connecting plates)
MAXI		Grid dimension 66 mm (without connecting plates)

005		Service unit combination
KA		Filter regulator, branching module and lubricator
KC		Manually operated on/off valve, filter regulator, branching module and lubricator
KB		Filter regulator, branching module with pressure switch and lubricator
KE		Filter regulator, lubricator, on/off valve electrically actuated, 24 V DC, soft-start valve pneumatically actuated
KF		On/off valve manually operated, filter regulator, lubricator, on/off valve electrically actuated, 24 V DC, soft-start valve pneumatically actuated, branching module with pressure switch

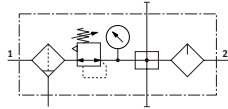
006		Condensate drain
A		Fully automatic
		Manually rotating



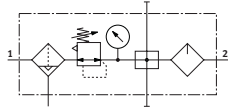
## Datasheet FRC-KA




### Function

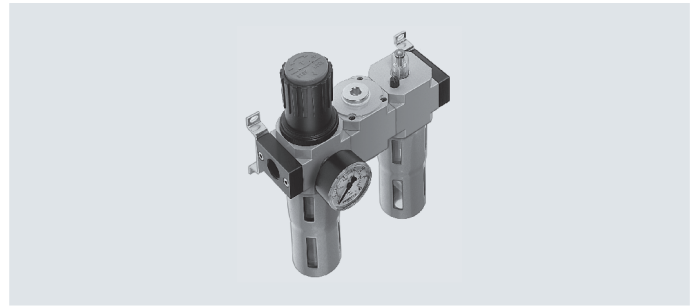
With condensate drain  
Manual



With condensate drain  
Fully automatic



-  Flow rate  
650 ... 8200 l/min
-  Temperature range  
-10 ... +60°C
-  Operating pressure  
1 ... 16 bar



- For lubricated and unlubricated compressed air
- Two connections for unlubricated compressed air supply
- One connection for lubricated compressed air supply
- New filter cartridges → page 34

- Filter regulator LFR
- Branching module FRM
- Lubricators LOE
- Mounting accessories

General technical data								
Size	Mini		Midi			Maxi		
Pneumatic connection 1, 2	G1/8	G1/4	G1/4	G3/8	G1/2	G1/2	G3/4	
Type of mounting	With accessories In-line installation							
Mounting position	Vertical ±5°							
Grade of filtration [µm]	40							
Air purity class at the output	Compressed air to ISO 8573-1:2010 [7:4:-] Inert gases							
Bowl guard	Metal bowl guard							
Condensate drain	Manual Fully automatic							
Actuator lock	Rotary knob with latch							
Pressure regulation range	[MPa]	0.05 ... 1,2						
	[bar]	0.5 ... 12						
	[psi]	7.25 ... 174						
Max. pressure hysteresis	[MPa]	0.015	0.02	0.025	0.02	0.03	0.01	0.02
	[bar]	0.15	0.2	0.25	0.2	0.3	0.1	0.2
	[psi]	2.175	2.9	3.625	2.9	4.35	1.45	2.9
Pressure indicator	With pressure gauge							
Max. condensate volume [cm <sup>3</sup> ]	22		43			80 (43) <sup>1)</sup>		

1) With FRC...-D-DI.

• Note: This product conforms to ISO 1179-1 and ISO 228-1.

Standard nominal flow rate $q_{nN}^{1)}$ [l/min]							
Connection	Mini		Midi			Maxi	
	G1/8	G1/4	G1/4	G3/8	G1/2	G1/2	G3/4
In main flow direction 1 → 2	650	980	1400	2100	2500	7500 (3900) <sup>2)</sup>	8200 (5000) <sup>2)</sup>

1) Measured at  $p_1 = 10$  bar,  $p_2 = 6$  bar and  $\Delta p = 1$  bar.

2) With FRC...-D-DI.

• 125 l/min must be available for the fully automatic condensate drain to close correctly.


## Datasheet FRC-KA

Operating and environmental conditions		Manual	Fully automatic
Condensate drain			
Operating pressure	[MPa]	0.1 ... 1.6	0.2 ... 1.2
	[bar]	1 ... 16	2 ... 12
	[psi]	14.5 ... 232	29 ... 174
Operating medium		Compressed air to ISO 8573-1:2010 [-:-:-]	
		Inert gases	
Ambient temperature	[°C]	-10 ... +60	
Temperature of medium	[°C]	-10 ... +60	
Corrosion resistance class CRC <sup>1)</sup>		2 - Moderate corrosion stress	
LABS (PWIS) conformity		VDMA24364-B1/B2-L	

1) More information [www.festo.com/x/topic/crc](http://www.festo.com/x/topic/crc)

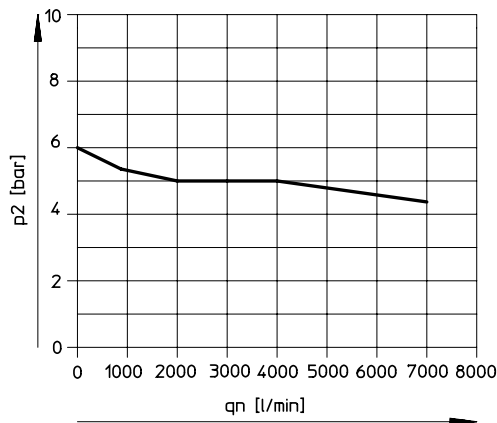
Weight [g]			
Size	Mini	Midi	Maxi
FRC	1000	2400	3500 (3700) <sup>1)</sup>

1) With FRC-...-D-DI.

 **Note**  
Materials → Datasheet for the individual devices

### Standard flow rate $q_n$ as a function of output pressure $p_2$

FRC-1/2-D-DI-MAXI-KA(-A)



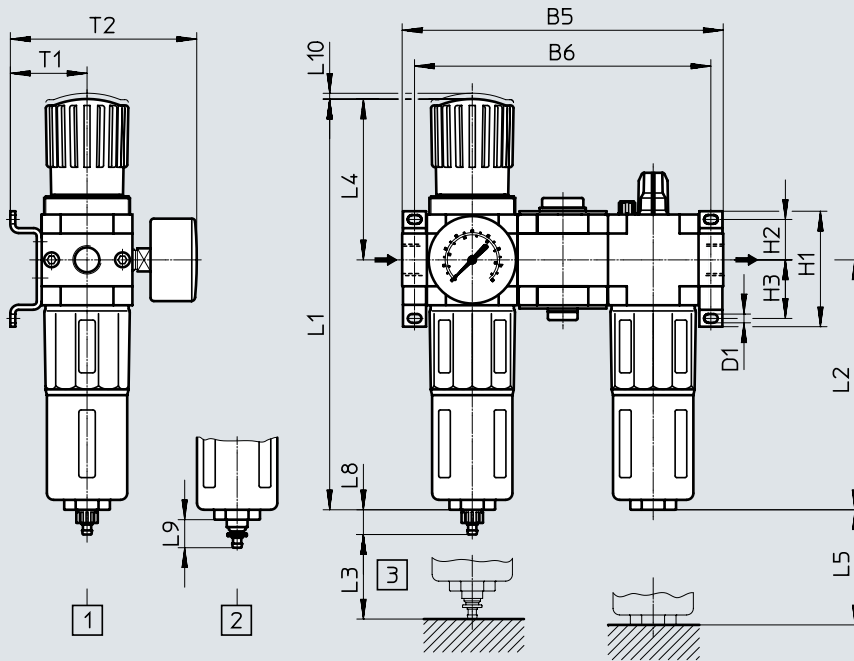
Primary pressure  $p_1 = 10$  bar

Datasheet FRC-KA

Dimensions

FRC...-KA

Download CAD data → [www.festo.com](http://www.festo.com)



- [1] Manual condensate drain
- [2] Fully automatic condensate drain
- [3] Installation dimension

→ Flow direction

Type	B5	B6	D1	H1	H2	H3	L1	L2	L3	L4	L5	L8	L9	L10	T1	T2
<b>Mini</b>																
FRC...-D-MINI-KA (-A)	144	132	4.3	43	17.5	17.5	193	124	60	68	100	15	19	3	39	95
<b>Midi</b>																
FRC...-D-MIDI-KA (-A)	195	180	5.3	70	24.5	35.5	250	152	80	99	120	15	19	3	47	114
<b>Maxi</b>																
FRC...-D-MAXI-KA (-A)	228	212	5.3	70	24.5	35.5	252	171	90	82	150	15	19	3	53	126

Ordering data

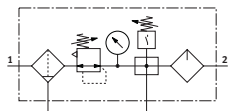
Pressure gauge with outer scale in bar and inner scale in psi

Size	Connection	Condensate drain Manual		Condensate drain Fully automatic	
		Part no.	Type	Part no.	Type
Mini	G1/8	185791	FRC-1/8-D-MINI-KA	185792	FRC-1/8-D-MINI-KA-A
	G1/4	185793	FRC-1/4-D-MINI-KA	185794	FRC-1/4-D-MINI-KA-A
Midi	G1/4	185795	FRC-1/4-D-MIDI-KA	185796	FRC-1/4-D-MIDI-KA-A
	G3/8	185797	FRC-3/8-D-MIDI-KA	185798	FRC-3/8-D-MIDI-KA-A
	G1/2	185799	FRC-1/2-D-MIDI-KA	185800	FRC-1/2-D-MIDI-KA-A
Maxi	G1/2	186053	FRC-1/2-D-MAXI-KA	186054	FRC-1/2-D-MAXI-KA-A
	G3/4	185801	FRC-3/4-D-MAXI-KA	185802	FRC-3/4-D-MAXI-KA-A

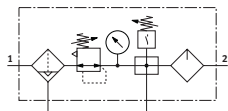
Note: This product conforms to ISO 1179-1 and ISO 228-1.




## Datasheet FRC-KB

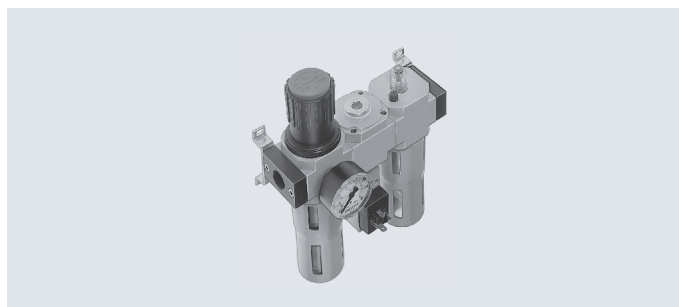
Function  
With condensate drain  
Manual



With condensate drain  
Fully automatic



-  - Flow rate  
650 ... 8200 l/min
-  - Temperature range  
-10 ... +60°C
-  - Operating pressure  
1 ... 16 bar



- Electrical pressure monitoring with adjustable switching pressure
- For lubricated and unlubricated compressed air
- One connection for unlubricated compressed air supply
- One connection for lubricated compressed air supply
- New filter cartridges → page 34

- Filter regulator LFR
- Branching module FRM with pressure switch
- Lubricators LOE
- Mounting accessories

General technical data		Mini		Midi			Maxi	
Size		G1/8	G1/4	G1/4	G3/8	G1/2	G1/2	G3/4
Pneumatic connection 1, 2		G1/8	G1/4	G1/4	G3/8	G1/2	G1/2	G3/4
Type of mounting		With accessories In-line installation						
Mounting position		Vertical ±5°						
Grade of filtration	[µm]	40						
Air purity class at the output		Compressed air to ISO 8573-1:2010 [7:4:-] Inert gases						
Bowl guard		Metal bowl guard						
Condensate drain		Manual Fully automatic						
Actuator lock		Rotary knob with latch						
Pressure regulation range	[MPa]	0.05 ... 1.2						
	[bar]	0.5 ... 12						
	[psi]	7.25 ... 174						
Max. pressure hysteresis	[MPa]	0.025	0.02	0.025	0.035	0.035	0.01	0.02
	[bar]	0.25	0.2	0.25	0.35	0.35	0.1	0.2
	[psi]	3.625	2.9	3.625	5.075	5.075	1.45	2.9
Pressure indicator		With pressure gauge						
Max. condensate volume	[cm <sup>3</sup> ]	22		43			80 (43) <sup>1)</sup>	

1) With FRC...-D-DI.

† Note: This product conforms to ISO 1179-1 and ISO 228-1.

Standard nominal flow rate $q_{nN}^{1)}$ [l/min]		Mini		Midi			Maxi	
Connection		G1/8	G1/4	G1/4	G3/8	G1/2	G1/2	G3/4
In main flow direction 1 → 2		650	980	1400	2100	2500	7500 (5400) <sup>2)</sup>	8200 (7000) <sup>2)</sup>

1) Measured at p<sub>1</sub> = 10 bar, p<sub>2</sub> = 6 bar and Δp = 1 bar.

2) With FRC...-D-DI.

† 125 l/min must be available for the fully automatic condensate drain to close correctly.


## Datasheet FRC-KB

Operating and environmental conditions		Manual	Fully automatic
Condensate drain			
Operating pressure	[MPa]	0.1 ... 1.6	0.2 ... 1.2
	[bar]	1 ... 16	2 ... 12
	[psi]	14.5 ... 232	29 ... 174
Operating medium		Compressed air to ISO 8573-1:2010 [-:-:-]	
		Inert gases	
Ambient temperature	[°C]	-10 ... +60	
Temperature of medium	[°C]	-10 ... +60	
Corrosion resistance class CRC <sup>1)</sup>		2 - Moderate corrosion stress	
LABS (PWIS) conformity		VDMA24364-B1/B2-L	

1) More information [www.festo.com/x/topic/crc](http://www.festo.com/x/topic/crc)

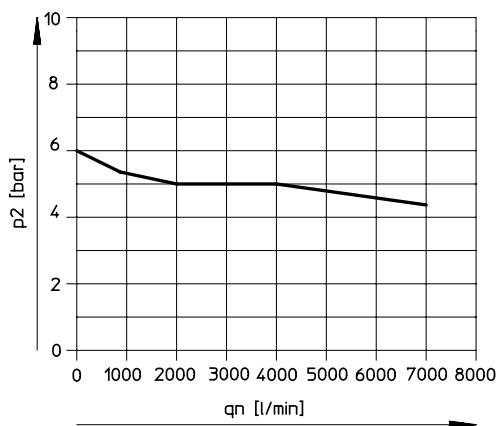
Weight [g]			
Size	Mini	Midi	Maxi
FRC	1200	2600	3500 (3700) <sup>1)</sup>

1) With FRC...-D-DI.

 **Note**  
Materials → Datasheet for the individual devices

### Standard flow rate $q_n$ as a function of output pressure $p_2$

FRC-1/2-D-DI-MAXI-KB(-A)



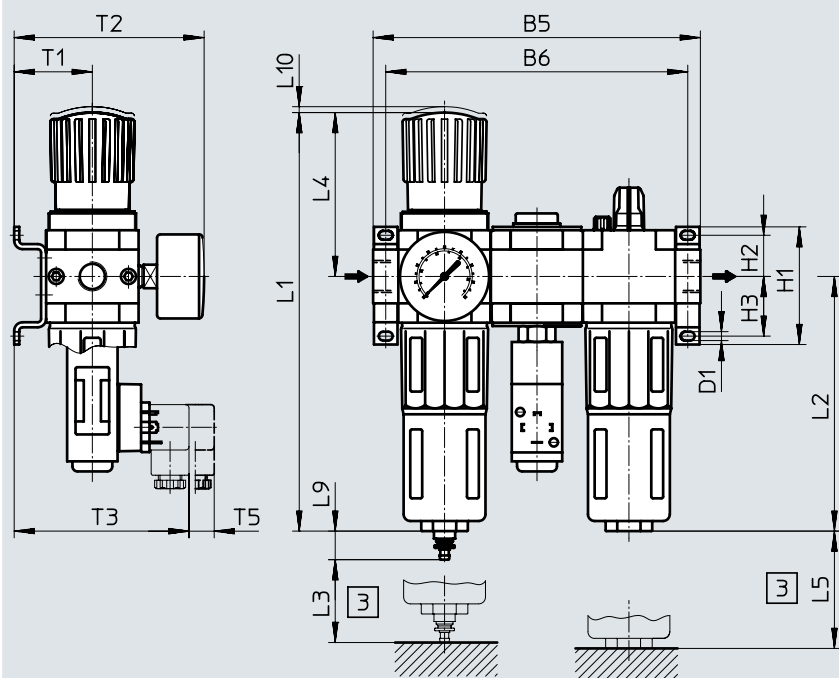
Primary pressure  $p_1 = 10$  bar

## Datasheet FRC-KB

### Dimensions

Download CAD data → [www.festo.com](http://www.festo.com)

FRC...-KB



[3] Installation dimension

→ Flow direction

Type	B5	B6	D1	H1	H2	H3	L1	L2	L3	L4	L5	L9	L10	T1	T2	T3	T5
<b>Mini</b>																	
FRC...-D-MINI-KB (-A)	144	132	4.3	43	17.5	17.5	193	124	60	68	100	19	3	39	95	97	15
<b>Midi</b>																	
FRC...-D-MIDI-KB (-A)	195	180	5.3	70	24.5	35.5	250	152	80	99	120	19	3	47	114	105	15
<b>Maxi</b>																	
FRC...-D-MAXI-KB (-A)	228	212	5.3	70	24.5	35.5	252	171	90	82	150	19	3	53	126	111	15

### Ordering data

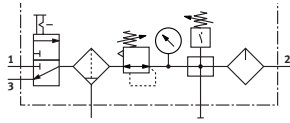
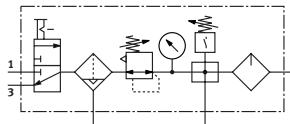
Pressure gauge with outer scale in bar and inner scale in psi

Size	Connection	Condensate drain		Condensate drain	
		Manual	Fully automatic	Manual	Fully automatic
		Part no.	Type	Part no.	Type
Mini	G1/8	185803	FRC-1/8-D-MINI-KB	185804	FRC-1/8-D-MINI-KB-A
	G1/4	185805	FRC-1/4-D-MINI-KB	185806	FRC-1/4-D-MINI-KB-A
Midi	G1/4	185807	FRC-1/4-D-MIDI-KB	185808	FRC-1/4-D-MIDI-KB-A
	G3/8	185809	FRC-3/8-D-MIDI-KB	185810	FRC-3/8-D-MIDI-KB-A
	G1/2	185811	FRC-1/2-D-MIDI-KB	185812	FRC-1/2-D-MIDI-KB-A
Maxi	G1/2	186055	FRC-1/2-D-MAXI-KB	186056	FRC-1/2-D-MAXI-KB-A
	G3/4	185813	FRC-3/4-D-MAXI-KB	185814	FRC-3/4-D-MAXI-KB-A

† Note: This product conforms to ISO 1179-1 and ISO 228-1.

## Datasheet FRC-KC

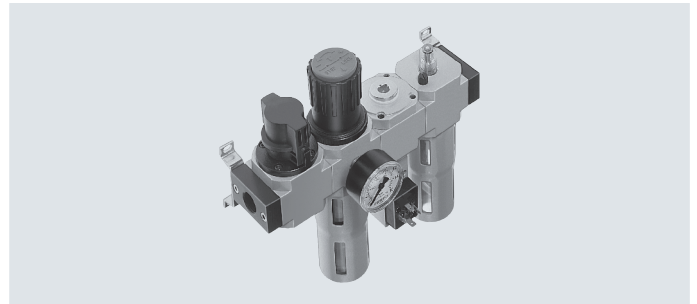
## Function

 With condensate drain  
Manual

 With condensate drain  
Fully automatic


- On/off valve HE, manually operated
- Filter regulator LFR
- Branching module FRM with pressure switch
- Lubricators LOE
- Mounting accessories

- Flow rate  
640 ... 7800 l/min
- Temperature range  
-10 ... +60°C
- Operating pressure  
1 ... 16 bar

- An additional quick exhaust valve is required at the service unit outlet for safe exhausting of the system
- Electrical pressure monitoring with adjustable switching pressure
- The system is exhausted when it is switched off
- For lubricated and unlubricated compressed air
- One connection for unlubricated compressed air supply
- One connection for lubricated compressed air supply
- New filter cartridges → page 34



General technical data							
Size	Mini			Midi		Maxi	
Pneumatic connection 1, 2	G1/8	G1/4	G1/4	G3/8	G1/2	G1/2	G3/4
Type of mounting	With accessories In-line installation						
Mounting position	Vertical ±5°						
Grade of filtration [µm]	40						
Air purity class at the output	Compressed air to ISO 8573-1:2010 [7:4:-] Inert gases						
Bowl guard	Metal bowl guard						
Condensate drain	Manual Fully automatic						
Actuator lock	Rotary knob with latch						
Pressure regulation range	[MPa]	0.05 ... 1.2					
	[bar]	0.5 ... 12					
	[psi]	7.25 ... 174					
Max. pressure hysteresis	[MPa]	0.02	0.02	0.04	0.03	0.03	0.015
	[bar]	0.2	0.2	0.4	0.3	0.3	0.15
	[psi]	2.9	2.9	5.8	4.35	4.35	2.175
Pressure indicator	With pressure gauge						
Max. condensate volume [cm <sup>3</sup> ]	22			43		80 (43) <sup>1)</sup>	

1) With FRC...-D-DI.

† Note: This product conforms to ISO 1179-1 and ISO 228-1.

Standard nominal flow rate $q_{nN}^{1)}$ [l/min]							
Connection	Mini			Midi		Maxi	
	G1/8	G1/4	G1/4	G3/8	G1/2	G1/2	G3/4
In main flow direction 1 → 2	640	870	1320	1870	2400	6600 (4800) <sup>2)</sup>	7800 (5400) <sup>2)</sup>

 1) Measured at  $p_1 = 10$  bar,  $p_2 = 6$  bar and  $\Delta p = 1$  bar.

2) With FRC...-D-DI.

† 125 l/min must be available for the fully automatic condensate drain to close correctly.


## Datasheet FRC-KC

Operating and environmental conditions		Manual	Fully automatic
Condensate drain			
Operating pressure	[MPa]	0.1 ... 1.6	0.15 ... 1.2
	[bar]	1 ... 16	1.5 ... 12
	[psi]	14.5 ... 232	21.75 ... 174
Operating medium		Compressed air to ISO 8573-1:2010 [-:-:-]	
		Inert gases	
Ambient temperature	[°C]	-10 ... +60	
Temperature of medium	[°C]	-10 ... +60	
Corrosion resistance class CRC <sup>1)</sup>		2 - Moderate corrosion stress	
LABS (PWIS) conformity		VDMA24364-B1/B2-L	

1) More information [www.festo.com/x/topic/crc](http://www.festo.com/x/topic/crc)

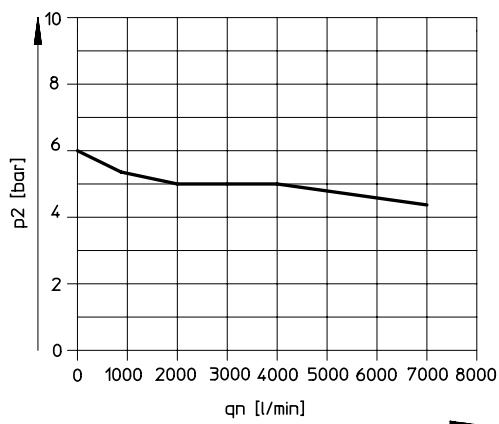
Weight [g]			
Size	Mini	Midi	Maxi
FRC	1400	3000	4600 (4800) <sup>1)</sup>

1) With FRC-...-D-DI.

 **Note**  
Materials → Datasheet for the individual devices

### Standard flow rate $q_n$ as a function of output pressure $p_2$

FRC-1/2-D-DI-MAXI-KC(-A)



Primary pressure  $p_1 = 10$  bar

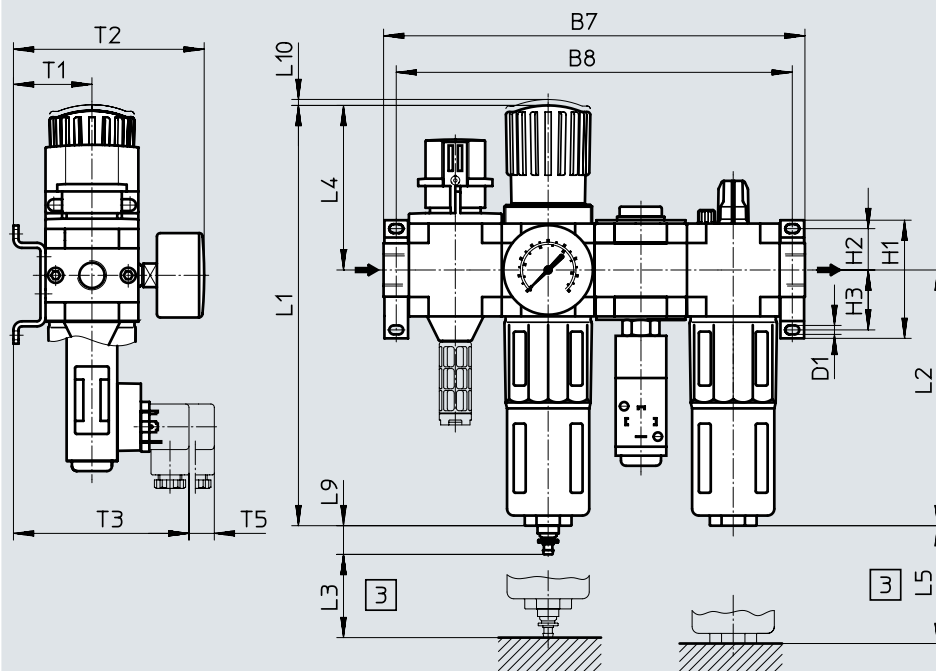


## Datasheet FRC-KC

### Dimensions

Download CAD data → [www.festo.com](http://www.festo.com)

FRC...-KC



[3] Installation dimension

→ Flow direction

Type	B7	B8	D1	H1	H2	H3	L1	L2	L3	L4	L5	L9	L10	T1	T2	T3	T5
<b>Mini</b>																	
FRC...-D-MINI-KC (-A)	184	172	4.3	43	17.5	17.5	193	124	60	68	100	19	3	39	95	97	15
<b>Midi</b>																	
FRC...-D-MIDI-KC (-A)	250	235	5.3	70	24.5	35.5	250	152	80	99	120	19	3	47	114	105	15
<b>Maxi</b>																	
FRC...-D-MAXI-KC (-A)	294	278	5.3	70	24.5	35.5	252	171	90	82	150	19	3	53	126	111	15

### Ordering data

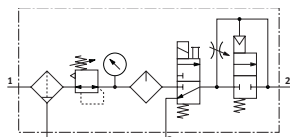
Pressure gauge with outer scale in bar and inner scale in psi

Size	Connection	Condensate drain		Condensate drain	
		Manual	Fully automatic	Manual	Fully automatic
		Part no.	Type	Part no.	Type
Mini	G1/8	185815	FRC-1/8-D-MINI-KC	185816	FRC-1/8-D-MINI-KC-A
	G1/4	185817	FRC-1/4-D-MINI-KC	185818	FRC-1/4-D-MINI-KC-A
Midi	G1/4	185819	FRC-1/4-D-MIDI-KC	185820	FRC-1/4-D-MIDI-KC-A
	G3/8	185821	FRC-3/8-D-MIDI-KC	185822	FRC-3/8-D-MIDI-KC-A
	G1/2	185823	FRC-1/2-D-MIDI-KC	185824	FRC-1/2-D-MIDI-KC-A
Maxi	G1/2	186057	FRC-1/2-D-MAXI-KC	186058	FRC-1/2-D-MAXI-KC-A
	G3/4	185825	FRC-3/4-D-MAXI-KC	185826	FRC-3/4-D-MAXI-KC-A

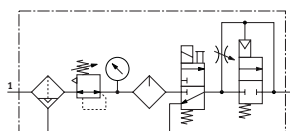
† Note: This product conforms to ISO 1179-1 and ISO 228-1.

## Datasheet FRC-KE

Function  
With condensate drain  
Manual

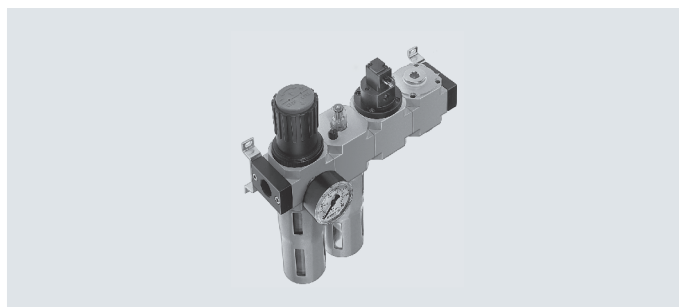


With condensate drain  
Fully automatic



- Filter regulator LFR
- Lubricators LOE
- On/off valve HEE, electrically actuated, 24 V DC
- Soft-start valve HEL, pneumatically actuated
- Mounting accessories

- - Flow rate  
550 ... 3800 l/min
- - Temperature range  
-10 ... +60°C
- - Operating pressure  
3 ... 16 bar



- Gradual pressure build-up at switch-on prevents sudden, unpredictable movements
- When the unit is switched off, quick exhausting ensures rapid pressure reduction
- For lubricated compressed air
- New filter cartridges → page 34

General technical data		Mini		Midi			Maxi	
Size		G1/8	G1/4	G1/4	G3/8	G1/2	G1/2	G3/4
Pneumatic connection 1, 2		G1/8	G1/4	G1/4	G3/8	G1/2	G1/2	G3/4
Type of mounting		With accessories In-line installation						
Mounting position		Vertical ±5°						
Grade of filtration	[µm]	40						
Air purity class at the output		Compressed air to ISO 8573-1:2010 [7:4:-] Inert gases						
Bowl guard		Metal bowl guard						
Condensate drain		Manual Fully automatic						
Actuator lock		Rotary knob with latch						
Pressure regulation range	[MPa]	0.25 ... 1.2						
	[bar]	2.5 ... 12						
	[psi]	36.25 ... 174						
Max. pressure hysteresis	[MPa]	0.015	0.015	0.025	0.02	0.04	0.03	0.03
	[bar]	0.15	0.15	0.25	0.2	0.4	0.3	0.3
	[psi]	2.175	2.175	3.625	2.9	5.8	4.35	4.35
Pressure indicator		With pressure gauge						
Max. condensate volume	[cm <sup>3</sup> ]	22		43			80 (43) <sup>1)</sup>	

1) With FRC...-D-DI.

† Note: This product conforms to ISO 1179-1 and ISO 228-1.

Connection	Mini		Midi			Maxi	
	G1/8	G1/4	G1/4	G3/8	G1/2	G1/2	G3/4
In main flow direction 1 → 2	550	650	1100	1420	1590	3500 (2900) <sup>2)</sup>	3800 (3300) <sup>2)</sup>

1) Measured at p<sub>1</sub> = 10 bar, p<sub>2</sub> = 6 bar and Δp = 1 bar.

2) With FRC...-D-DI.

† 125 l/min must be available for the fully automatic condensate drain to close correctly.


## Datasheet FRC-KE

Operating and environmental conditions		Manual	Fully automatic
Condensate drain			
Operating pressure	[MPa]	0.3 ... 1.6	0.3 ... 1.2
	[bar]	3 ... 16	3 ... 12
	[psi]	43.5 ... 232	43.5 ... 174
Operating medium		Compressed air to ISO 8573-1:2010 [-:-:-]	
		Inert gases	
Ambient temperature	[°C]	-10 ... +60	
Temperature of medium	[°C]	-10 ... +60	
Corrosion resistance class CRC <sup>1)</sup>		2 - Moderate corrosion stress	
LABS (PWIS) conformity		VDMA24364-B1/B2-L	

1) More information [www.festo.com/x/topic/crc](http://www.festo.com/x/topic/crc)

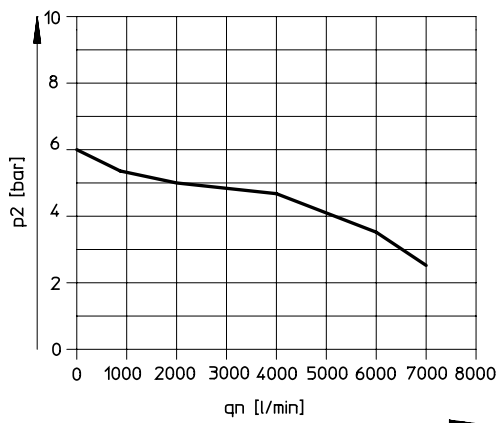
Weight [g]			
Size	Mini	Midi	Maxi
FRC	1200	2800	4200 (4400) <sup>1)</sup>

1) With FRC...-D-DI.

 **Note**  
Materials → Datasheet for the individual devices

### Standard flow rate $q_n$ as a function of output pressure $p_2$

FRC-1/2-D-DI-MAXI-KE(-A)



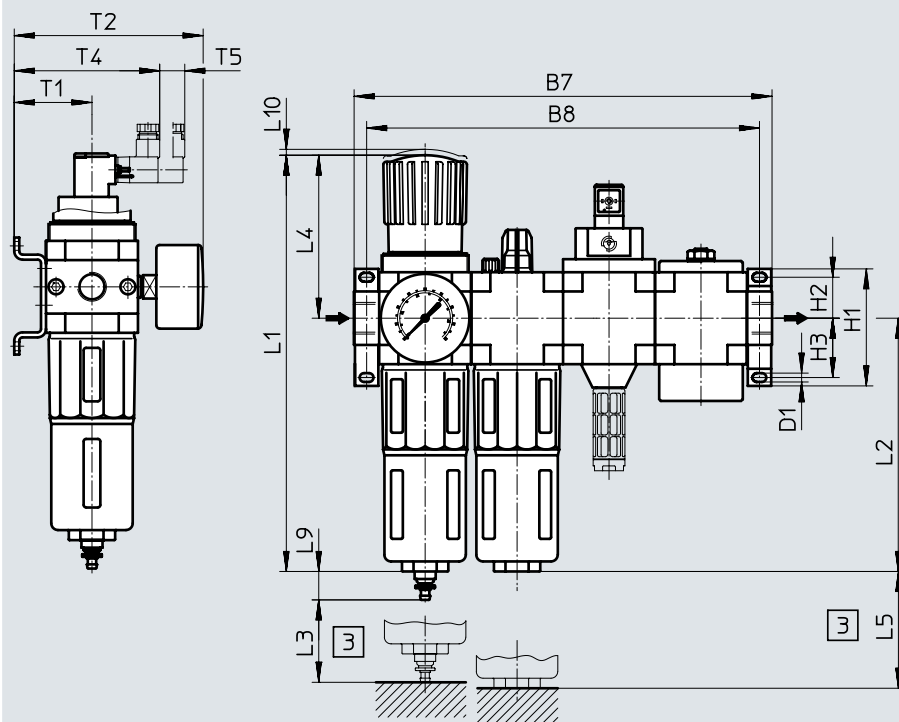
Primary pressure  $p_1 = 10$  bar

Datasheet FRC-KE

Dimensions

Download CAD data → [www.festo.com](http://www.festo.com)

FRC-...-KE



[3] Installation dimension

→ Flow direction

Type	B7	B8	D1	H1	H2	H3	L1	L2	L3	L4	L5	L9	L10	T1	T2	T4	T5
<b>Mini</b>																	
FRC-...-D-MINI-KE (-A)	184	172	4.3	43	17.5	17.5	193	124	60	68	100	19	3	39	95	78	15
<b>Midi</b>																	
FRC-...-D-MIDI-KE (-A)	250	235	5.3	70	24.5	35.5	250	152	80	99	120	19	3	47	114	86	15
<b>Maxi</b>																	
FRC-...-D-MAXI-KE (-A)	294	278	5.3	70	24.5	35.5	252	171	90	82	150	19	3	53	126	92	15

Ordering data

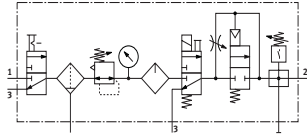
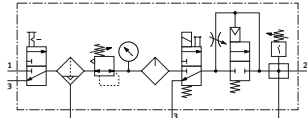
Pressure gauge with outer scale in bar and inner scale in psi

Size	Connection	Condensate drain Manual		Condensate drain Fully automatic	
		Part no.	Type	Part no.	Type
Mini	G1/8	185827	FRC-1/8-D-MINI-KE	185828	FRC-1/8-D-MINI-KE-A
	G1/4	185829	FRC-1/4-D-MINI-KE	185830	FRC-1/4-D-MINI-KE-A
Midi	G1/4	185831	FRC-1/4-D-MIDI-KE	185832	FRC-1/4-D-MIDI-KE-A
	G3/8	185833	FRC-3/8-D-MIDI-KE	185834	FRC-3/8-D-MIDI-KE-A
	G1/2	185835	FRC-1/2-D-MIDI-KE	185836	FRC-1/2-D-MIDI-KE-A
Maxi	G1/2	186059	FRC-1/2-D-MAXI-KE	186060	FRC-1/2-D-MAXI-KE-A
	G3/4	185837	FRC-3/4-D-MAXI-KE	185838	FRC-3/4-D-MAXI-KE-A

Note: This product conforms to ISO 1179-1 and ISO 228-1.

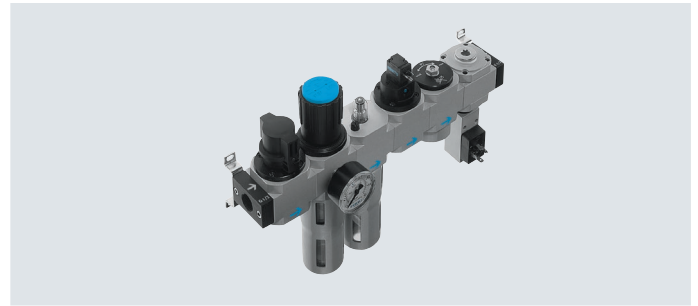
## Datasheet FRC-KF

## Function

 With condensate drain  
Manual

 With condensate drain  
Fully automatic


- On/off valve HE, manually operated
- Filter regulator LFR
- Lubricators LOE
- On/off valve HEE, electrically actuated, 24 V DC
- Soft-start valve HEL, pneumatically actuated
- Branching module FRM with pressure switch
- Mounting accessories

- Flow rate  
530 ... 6000 l/min
- Temperature range  
-10 ... +60°C
- Operating pressure  
3 ... 16 bar



- Gradual pressure build-up at switch-on prevents sudden, unpredictable movements
- An additional quick exhaust valve is required at the service unit outlet for safe exhausting of the system
- For lubricated compressed air
- Two branch connections are available
- Supply pressure can be opened and closed
- New filter cartridges → page 34

**General technical data**

Size	Mini		Midi			Maxi		
Pneumatic connection 1, 2	G1/8	G1/4	G1/4	G3/8	G1/2	G1/2	G3/4	
Type of mounting	With accessories In-line installation							
Mounting position	Vertical ±5°							
Grade of filtration [µm]	40							
Air purity class at the output	Compressed air to ISO 8573-1:2010 [7:4:-] Inert gases							
Bowl guard	Metal bowl guard							
Condensate drain	Manual Fully automatic							
Actuator lock	Rotary knob with latch							
Pressure regulation range	[MPa]	0.25 ... 1.2						
	[bar]	2.5 ... 12						
	[psi]	36.25 ... 174						
Max. pressure hysteresis	[MPa]	0.02	0.03	0.025	0.3	0.025	0.03	0.025
	[bar]	0.2	0.3	0.25		0.25	0.3	0.25
	[psi]	2.9	4.35	3.625		3.625	4.35	3.625
Pressure indicator	With pressure gauge							
Max. condensate volume [cm <sup>3</sup> ]	22		43			80 (43) <sup>1)</sup>		

1) With FRC...-D-DI.

† Note: This product conforms to ISO 1179-1 and ISO 228-1.

**Standard nominal flow rate  $q_{nN}^{1)}$  [l/min]**

Connection	Mini		Midi			Maxi	
	G1/8	G1/4	G1/4	G3/8	G1/2	G1/2	G3/4
In main flow direction 1 → 2	530	620	1060	1150	1220	3400 (5000) <sup>2)</sup>	3700 (6000) <sup>2)</sup>

 1) Measured at  $p_1 = 10$  bar,  $p_2 = 6$  bar and  $\Delta p = 1$  bar.

2) With FRC...-D-DI.

† 125 l/min must be available for the fully automatic condensate drain to close correctly.


## Datasheet FRC-KF

Operating and environmental conditions		Manual	Fully automatic
Condensate drain			
Operating pressure	[MPa]	0.3 ... 1.6	0.3 ... 1.2
	[bar]	3 ... 16	3 ... 12
	[psi]	43.5 ... 232	43.5 ... 174
Operating medium		Compressed air to ISO 8573-1:2010 [-:-:-]	
		Inert gases	
Ambient temperature	[°C]	-10 ... +60	
Temperature of medium	[°C]	-10 ... +60	
Corrosion resistance class CRC <sup>1)</sup>		2 - Moderate corrosion stress	
LABS (PWIS) conformity		VDMA24364-B1/B2-L	

1) More information [www.festo.com/x/topic/crc](http://www.festo.com/x/topic/crc)

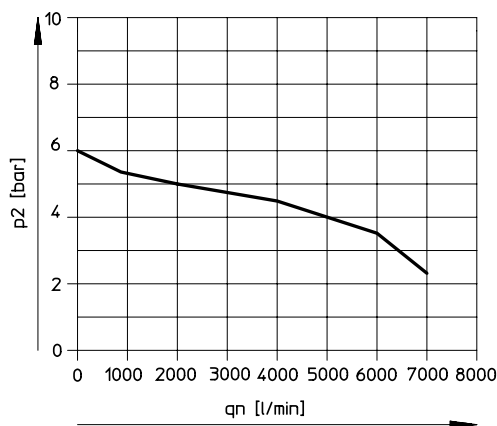
Weight [g]			
Size	Mini	Midi	Maxi
FRC	1800	4000	6300 (6500) <sup>1)</sup>

1) With FRC-...-D-DI.

 **Note**  
Materials → Datasheet for the individual devices

### Standard flow rate $q_n$ as a function of output pressure $p_2$

FRC-1/2-D-DI-MAXI-KF(-A)



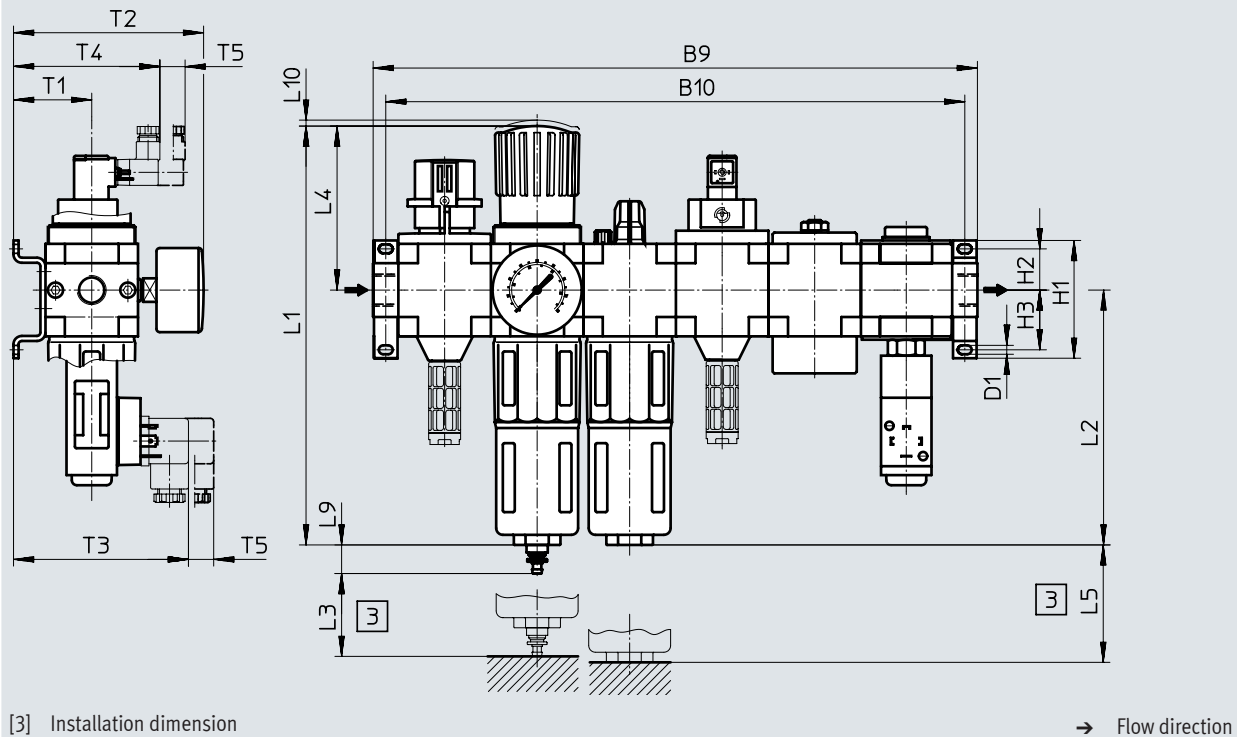
Primary pressure  $p_1 = 10$  bar

Datasheet FRC-KF

Dimensions

Download CAD data → [www.festo.com](http://www.festo.com)

FRC...-KF



Type	B9	B10	D1	H1	H2	H3	L1	L2	L3	L4	L5	L9	L10	T1	T2	T3	T4	T5
<b>Mini</b>																		
FRC...-D-MINI-KF (-A)	264	252	4.3	43	17.5	17.5	193	124	60	68	100	19	3	39	95	97	78	15
<b>Midi</b>																		
FRC...-D-MIDI-KF (-A)	360	344	5.3	70	24.5	35.5	250	152	80	99	120	19	3	47	114	105	86	15
<b>Maxi</b>																		
FRC...-D-MAXI-KF (-A)	426	410	5.3	70	24.5	35.5	252	171	90	82	150	19	3	53	126	111	92	15

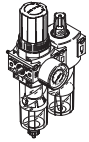
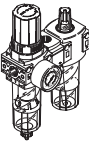
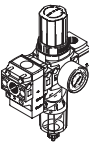
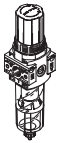

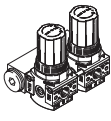

Ordering data

Pressure gauge with outer scale in bar and inner scale in psi

Size	Connection	Condensate drain		Condensate drain	
		Manual	Part no.	Type	Part no.
Mini	G1/8	185839	FRC-1/8-D-MINI-KF	185840	FRC-1/8-D-MINI-KF-A
	G1/4	185841	FRC-1/4-D-MINI-KF	185842	FRC-1/4-D-MINI-KF-A
Midi	G1/4	185843	FRC-1/4-D-MIDI-KF	185844	FRC-1/4-D-MIDI-KF-A
	G3/8	185845	FRC-3/8-D-MIDI-KF	185846	FRC-3/8-D-MIDI-KF-A
	G1/2	185847	FRC-1/2-D-MIDI-KF	185848	FRC-1/2-D-MIDI-KF-A
Maxi	G1/2	186061	FRC-1/2-D-MAXI-KF	186062	FRC-1/2-D-MAXI-KF-A
	G3/4	185849	FRC-3/4-D-MAXI-KF	185850	FRC-3/4-D-MAXI-KF-A

Note: This product conforms to ISO 1179-1 and ISO 228-1.

Product range overview – Service unit components, D series, polymer

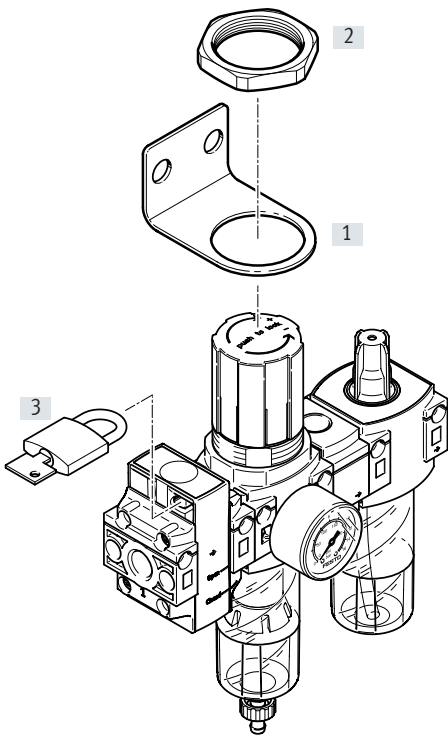
Type	Size	Pneumatic connection		Pressure regulation range [bar]	Grade of filtration [µm]		
		G1/4	G1/2		5	40	
<b>Service units</b>							
<b>FRC</b>		Mini	■	-	■	■	■
<b>Service unit combinations</b>							
<b>FRC-K</b>		Mini	■	-	■	-	■
<b>LFR-K</b>		Mini	■	-	■	-	■
<b>Individual devices</b>							
Filter regulators <b>LFR</b>		Mini	■	-	■	■	■
Pressure regulators <b>LR</b>		Mini	■	-	■	-	-
Pressure regulator manifolds <b>LRB-K</b>		Mini	-	■	■	-	-
On/off valves <b>HE</b>		Mini	■	-	-	-	-



## Product range overview – Service unit components, D series, polymer

Type	Size	Condensate drain		Pressure indicator		Actuator lock	Regulating functions		→ Page/ Internet
		Manual	Semi-automatic	With pressure gauge	Without pressure gauge		With secondary exhausting	With return flow function	
<b>Service units</b>									
<b>FRC</b>	Mini	■	■	■	-	■	■	■	frc
<b>Service unit combinations</b>									
<b>FRC-K</b>	Mini	■	-	■	-	■	■	■	26
<b>LFR-K</b>	Mini	■	-	■	-	■	■	■	lfr
<b>Individual devices</b>									
Filter regulators <b>LFR</b>	Mini	■	■	■	■	■	■	■	lfr
Pressure regulators <b>LR</b>	Mini	-	-	■	■	■	■	■	lr
Pressure regulator manifolds <b>LRB-K</b>	Mini	-	-	-	■	■	■	■	lrb
On/off valves <b>HE</b>	Mini	-	-	-	■	-	-	-	he

## Peripherals overview



**Note**

The range of accessories depends on the service unit combination selected. The example shows the service unit combination FRC-KC.

Mounting attachments and accessories		→ Page/Internet
[1]	Mounting bracket HR-D	hr-d
[2]	Hex nut HMR	hmr-d
[3]	Padlock LRVS	lrvs-d
-	Filter cartridge MS4-LFP-E	34
-	Special oil OFSW	34

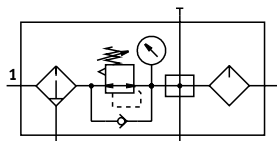
## Type codes

001	Series
FRC	Service unit
002	Pneumatic connection
1/4	Female thread G1/4
003	Version
DB	D series, polymer
004	Pressure regulation range
7	0.5 ... 7 bar (0.05 ... 0.7 MPa)

005	Size
MINI	Grid dimension 40 mm (without connecting plates)
006	Service unit combination
KA	Filter regulator, branching module and lubricator
KC	Manually operated on/off valve, filter regulator, branching module and lubricator
007	Display unit
	Bar/psi/without
MPA	MPa

## Datasheet FRC-KA

### Function



- Filter regulator
- Distributor
- Lubricators

- - Standard nominal flow rate  
700 l/min
- - Temperature range  
-5 ... +50°C
- - Operating pressure  
1.5 ... 10 bar



- For filtered and lubricated compressed air
- Output pressure is infinitely adjustable within the pressure regulation range

- Removal of filtered and unlubricated compressed air at the distributor module ports
- New filter cartridges → page 34

The following oils are recommended for Festo components:  
Viscosity range to  
ISO 3448 class VG 32  
32 mm<sup>2</sup>/s (cSt) at 40°C

- Approved oils:
- Festo special oil → page 34
  - ARAL Vitam GF 32
  - BP Energol HLP 32
  - Esso Nuto H 32
  - Mobil DTE 24
  - Shell Tellus Oil DO 32

General technical data	
Size	Mini
Pneumatic connection 1, 2, 3	G1/4
Design	Filter regulator-distributor module-lubricator
Regulator function	Output pressure constant, without primary pressure compensation, with return flow, with secondary venting
Type of mounting	In-line installation Via through-hole With mounting bracket
Mounting position	Vertical ±5°
Grade of filtration [µm]	40
Condensate drain	Manual
Actuator lock	Rotary knob with latch
Pressure regulation range [bar]	0.5 ... 7
Max. pressure hysteresis [bar]	0.5
Pressure indicator	With pressure gauge
Pressure gauge connection	G1/8
Max. condensate volume [ml]	13

Flow rates [l/min]	
Standard nominal flow rate $q_{nN}^{1)}$	700
Max. standard flow rate	2500

1) Measured at  $p_1 = 10$  bar,  $p_2 = 6$  bar and  $\Delta p = 1$  bar.

- **Note**  
Minor leakage at the output is intended by design. It improves the control behaviour of the regulator which is not compensated for input pressure.  
In rare cases, however, the leakage can be up to 500 l/h.

## Datasheet FRC-KA

Operating and environmental conditions	
Operating pressure [bar]	1.5 ... 10
Operating medium	Compressed air to ISO 8573-1:2010 [7:9:4]
Note on the operating/pilot medium	Lubricated operation not possible
Ambient temperature [°C]	-5 ... +50
Temperature of medium [°C]	-5 ... +50
Storage temperature [°C]	-5 ... +50
Corrosion resistance class CRC <sup>1)</sup>	1 - Low corrosion stress
LABS (PWIS) conformity	VDMA24364-B1/B2-L

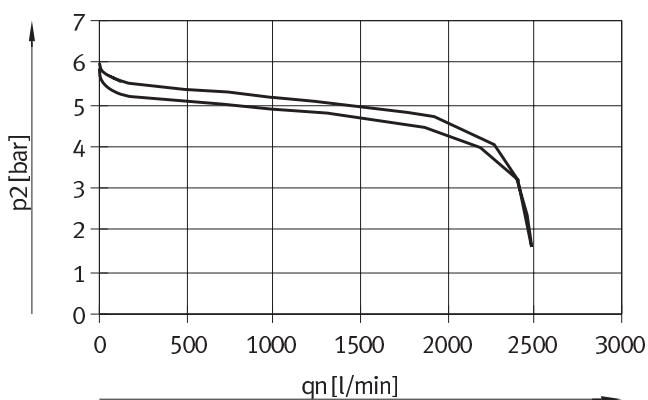
1) More information [www.festo.com/x/topic/crc](http://www.festo.com/x/topic/crc)

Weight [g]	
Service unit	285

Materials	
Housing	Reinforced PA
Bowl	PC
Rotary knob	POM
Filters	PE
Seals	NBR
Note on materials	RoHS-compliant

Standard flow rate  $q_n$  as a function of output pressure  $p_2$ 

FRC-1/4-DB-7-MINI-KA



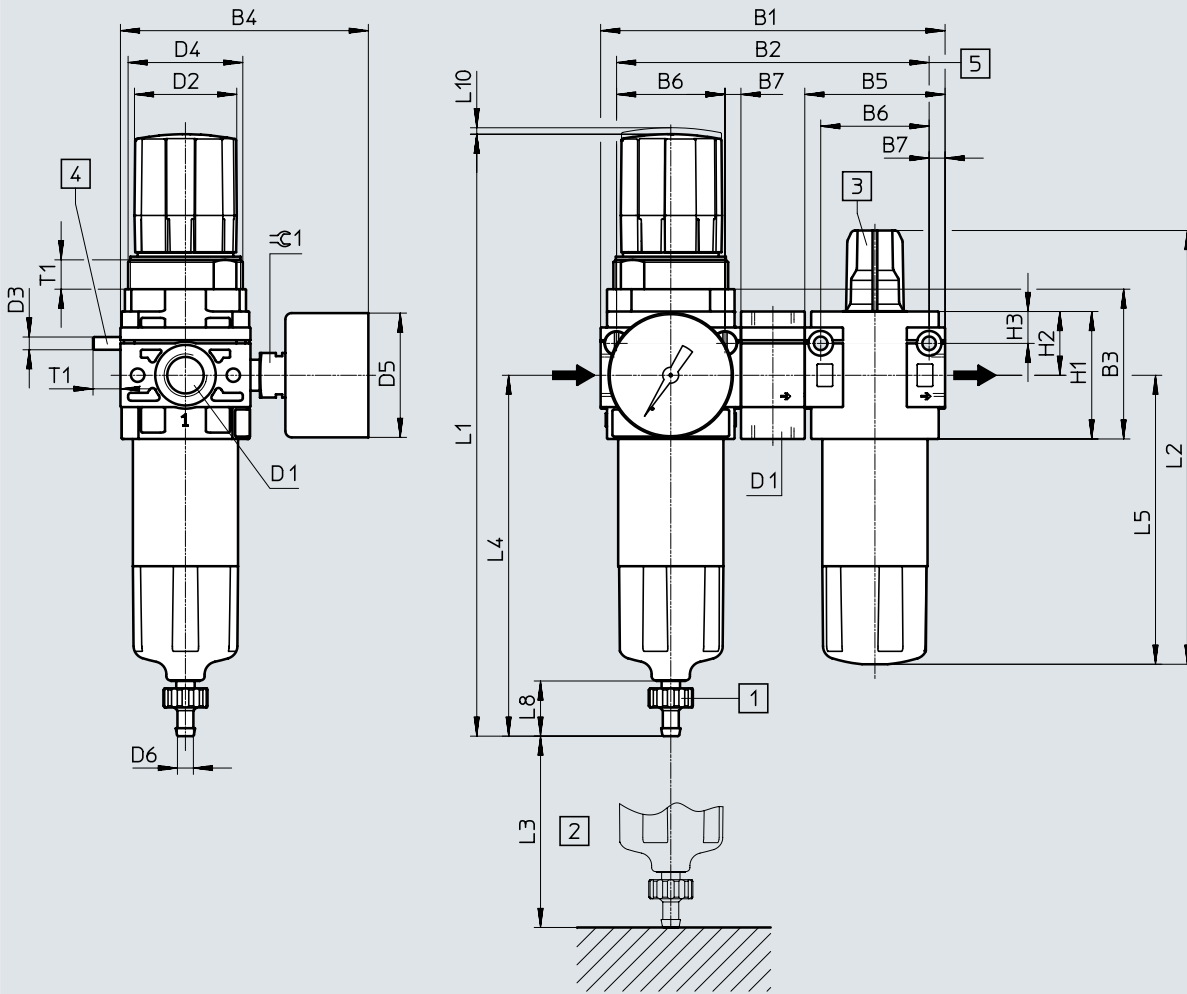
Input pressure  $p_1 = 10$  bar

Datasheet FRC-KA

Dimensions

Download CAD data → [www.festo.com](http://www.festo.com)

Mini



- [1] Barbed connector for plastic tubing PUN(-H)-8x1.25
- [2] Installation dimension
- [3] Oil adjusting screw
- [4] Socket head screw M4 for wall mounting (2 included in the scope of delivery)
- [5] Recommended through-holes for wall mounting via socket head screws
- Flow direction

Type	D1	B1	B2	B3	B4	B5	B6	B7	D2 ∅	D3	D4	D5 ∅	D6 ∅
FRC-1/4-DB	G1/4	108	98	47	78	44	34	5	32	M4	M36x1.5	39	5.6

Type	H1	H2	H3	L1	L2	L3 min.	L4	L5	L8	L10	T1	⊕ 1
FRC-1/4-DB	40	20	10	189	136	60	113	91	17	2	9	14

Ordering data

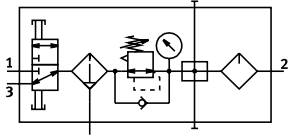
Condensate drain	Size	Connection	Grade of filtration 40 µm	
			Part no.	Type

Pressure gauge with outer scale in bar and inner scale in psi				
Manual	Mini	G1/4	8002800	FRC-1/4-DB-7-MINI-KA

Pressure gauge with outer scale in MPa and inner scale in bar				
Manual	Mini	G1/4	3339282	FRC-1/4-DB-7-MINI-KA-MPA

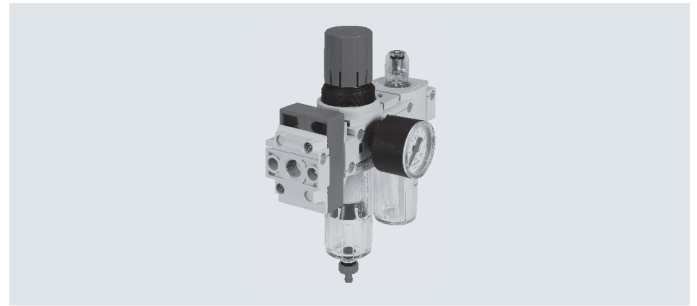
## Datasheet FRC-KC

### Function



- On/off valve, manually operated
- Filter regulator
- Distributor
- Lubricators

- - Standard nominal flow rate  
400 l/min
- - Temperature range  
-5 ... +50°C
- - Operating pressure  
1.5 ... 10 bar



- For filtered and lubricated compressed air
- The operating pressure can be switched on or off
- Output pressure is infinitely adjustable within the pressure regulation range

- The unit is exhausted when switched off
- Removal of filtered and unlubricated compressed air at the distributor module ports
- New filter cartridges → page 34

The following oils are recommended for Festo components:  
Viscosity range to  
ISO 3448 class VG 32  
32 mm<sup>2</sup>/s (cSt) at 40°C

#### Approved oils:

- Festo special oil → page 34
- ARAL Vitam GF 32
- BP Energol HLP 32
- Esso Nuto H 32
- Mobil DTE 24
- Shell Tellus Oil DO 32

General technical data	
Size	Mini
Pneumatic connection 1, 2, 3	G1/4
Design	On/off valve-filter regulator-distributor module-lubricator
Regulator function	Output pressure constant, without primary pressure compensation, with return flow, with secondary venting
Type of mounting	In-line installation Via through-hole With mounting bracket
Mounting position	Vertical ±5°
Actuation type	Manual
Grade of filtration [µm]	40
Condensate drain	Manual
Actuator lock	Rotary knob with latch Padlock (optional)
Exhaust function	Cannot be throttled
Pressure regulation range [bar]	0.5 ... 7
Max. pressure hysteresis [bar]	0.5
Pressure indicator	With pressure gauge
Pressure gauge connection	G1/8
Max. condensate volume [ml]	13

Flow rates [l/min]	
Standard nominal flow rate $q_{nN}^{1)}$	400
Max. standard flow rate	2400

1) Measured at  $p_1 = 10$  bar,  $p_2 = 6$  bar and  $\Delta p = 1$  bar.

#### - - Note

Minor leakage at the output is intended by design. It improves the control behaviour of the regulator which is not compensated for input pressure.

In rare cases, however, the leakage can be up to 500 l/h.

## Datasheet FRC-KC

### Operating and environmental conditions

Operating pressure [bar]	1.5 ... 10
Operating medium	Compressed air to ISO 8573-1:2010 [7:9:4]
Note on the operating/pilot medium	Lubricated operation not possible
Ambient temperature [°C]	-5 ... +50
Temperature of medium [°C]	-5 ... +50
Storage temperature [°C]	-5 ... +50
Corrosion resistance class CRC <sup>1)</sup>	1 - Low corrosion stress
LABS (PWIS) conformity	VDMA24364-B1/B2-L

1) More information [www.festo.com/x/topic/crc](http://www.festo.com/x/topic/crc)

### Weight [g]

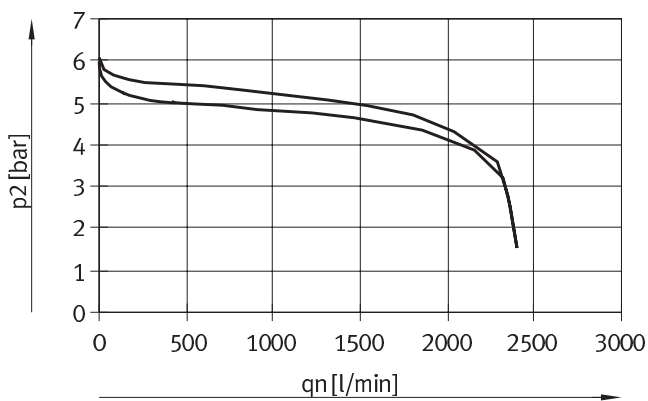
Service unit	360
--------------	-----

### Materials

Housing	Reinforced PA
Piston spool	POM
Bowl	PC
Rotary knob	POM
Filters	PE
Seals	NBR
On/off valve seals	FPM
Note on materials	RoHS-compliant

### Standard flow rate $q_n$ as a function of output pressure $p_2$

FRC-1/4-DB-7-MINI-KC



Input pressure  $p_1 = 10$  bar

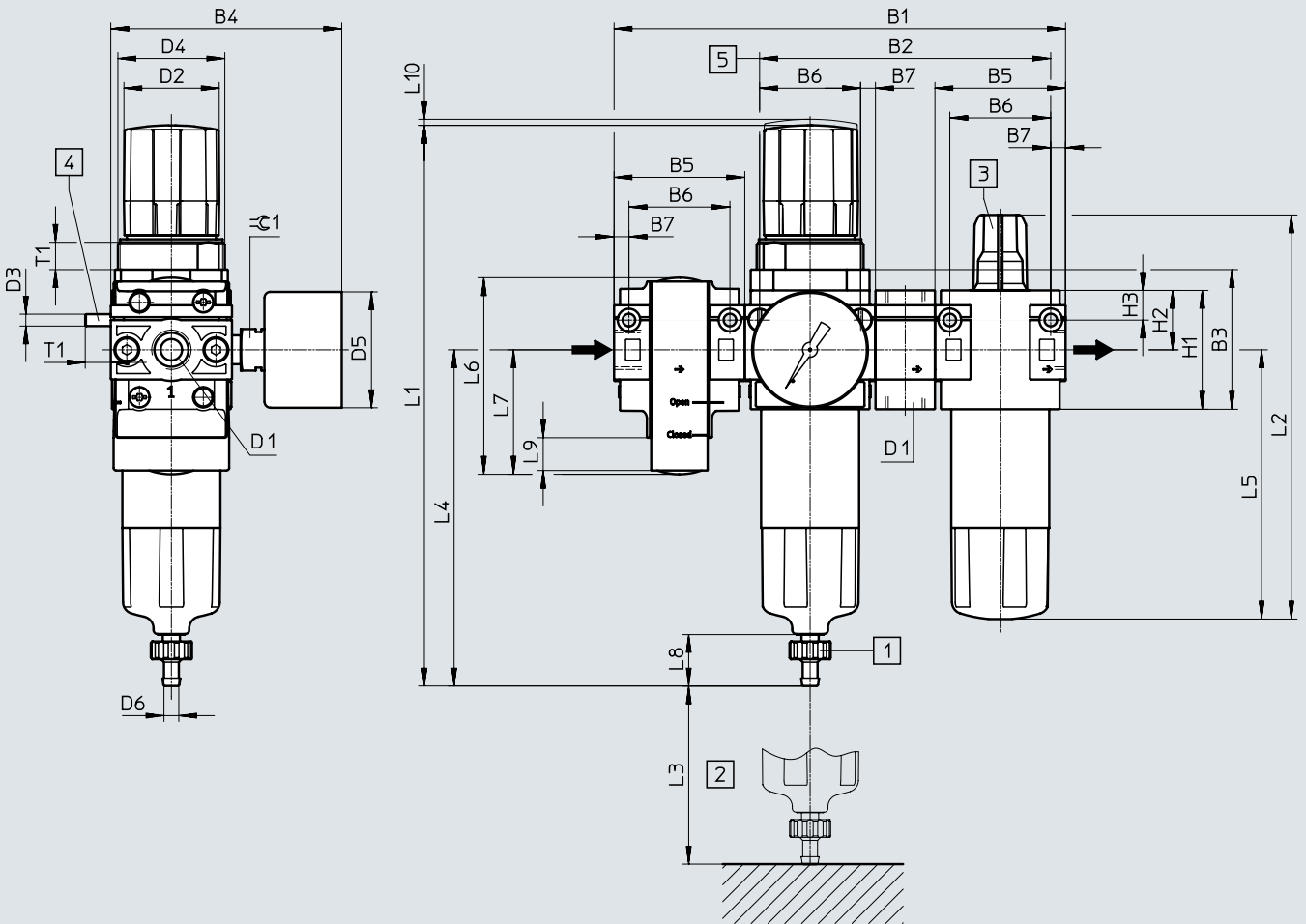


Datasheet FRC-KC

Dimensions

Download CAD data → [www.festo.com](http://www.festo.com)

Mini



- [1] Barbed connector for plastic tubing PUN(-H)-8x1.25
  - [2] Installation dimension
  - [3] Oil adjusting screw
  - [4] Socket head screw M4 for wall mounting (2 included in the scope of delivery)
  - [5] Recommended through-holes for wall mounting via socket head screws
- Flow direction

Type	D1	B1	B2	B3	B4	B5	B6	B7	D2 ∅	D3	D4	D5 ∅	D6 ∅
FRC-1/4-DB	G1/4	152	98	47	78	44	34	5	32	M4	M36x1.5	39	5.6

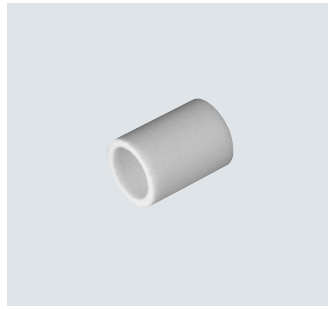
Type	H1	H2	H3	L1	L2	L3 min.	L4	L5	L6	L7	L8	L9	L10	T1	⊙ 1
FRC-1/4-DB	40	20	10	189	136	60	113	91	66	42	17	11	2	9	14

Ordering data

Condensate drain	Size	Connection	Grade of filtration 40 µm	
			Part no.	Type
<b>Pressure gauge with outer scale in bar and inner scale in psi</b>				
Manual	Mini	G1/4	<b>8002801</b>	<b>FRC-1/4-DB-7-MINI-KC</b>
<b>Pressure gauge with outer scale in MPa and inner scale in bar</b>				
Manual	Mini	G1/4	<b>3339280</b>	<b>FRC-1/4-DB-7-MINI-KC-MPA</b>

## Accessories

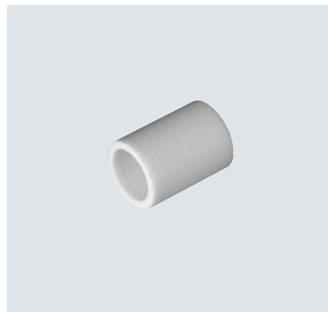
### Filter cartridges, D series, metal



#### Ordering data

Size	Grade of filtration [µm]	Part no.	Type
Mini	40 (colour: white)	363665	LFP-D-MINI-40M
Midi	40 (colour: white)	363667	LFP-D-MIDI-40M
Maxi	40 (colour: white)	363664	LFP-D-MAXI-40M

### Filter cartridges, D series, polymer



#### Ordering data

Size	Grade of filtration [µm]	Part no.	Type
Mini	40	534502	MS4-LFP-E

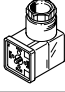
### Special oil




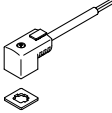
#### Ordering data


Scope of delivery	Part no.	Type
1 litre	152811	OFSW-32

## Accessories

Ordering data – Angled plug socket PEV							Datasheets → Internet: pev-1/4
	Description	Operating voltage range	Electrical connection	Switching status indication	Part no.	Type	
	For PEV-1/4-...-OD	15 ... 30 V DC	4-pin	Yellow LED	164274	PEV-1/4-WD-LED-24	
		≤ 230 V AC ≤ 180 V DC	4-pin	Yellow LED	164275	PEV-1/4-WD-LED-230	

Ordering data – Plug socket MSSD							Datasheets → Internet: mssd
	Description	Operating voltage range	Electrical connection	Type of mounting for cable connection	Part no.	Type	
	For PEV-1/4-...-OD	≤ 250 V AC/DC	3-pin	Clamping screws	171157	MSSD-C-4P	
	For on/off valve HEE	≤ 250 V AC/DC	3-pin	Clamping screws	151687	MSSD-EB	
			4-pin	Insulation displacement technology	192745	MSSD-EB-S-M14	

Ordering data – Plug socket with cable KMEB							Datasheets → Internet: kmeb
	Description	Operating voltage	Electrical connection	Switching status indication	Cable length [m]	Part no.	Type
	For on/off valve HEE	24 V DC	3-pin	LED	2.5	151688	KMEB-1-24-2.5-LED
					5	151689	KMEB-1-24-5-LED
					10	193457	KMEB-1-24-10-LED
		230 V AC	3-pin	-	2.5	151690	KMEB-1-230AC-2.5
					5	151691	KMEB-1-230AC-5

Ordering data – Illuminating seal MEB-LD					Datasheets → Internet: meb
	Description	Operating voltage range	Part no.	Type	
	For plug socket with cable KMEB and plug socket MSSD-EB	12 ... 24 V DC	151717	MEB-LD-12-24DC	
		230 V DC/AC ±10%	151718	MEB-LD-230AC	