

Axial kits EAMM-A

FESTO



Festo Core Range
Solves the majority of your automation tasks

Worldwide:
Simply good:
Fast:

Quickest delivery – wherever, whenever
Expected high Festo quality
Easy and fast to select

With the Festo Core Range, we have selected the most important products and functions from our broad product catalogue, and added the quickest delivery.

The Core Range offers you the best value for your automation tasks.

Just look
for the
star!

Key features

At a glance

The following kits are used for force-locking coupling motors and axes. The couplings transmit the drive energy of the motor to the axes. They can be connected to Festo motors or third-party motors.

The selection provides you with an overview of possible combinations. The planning tool "Electric Motion Sizing" helps you to find the right combination.

Electric Motion Sizing

Configuring electromechanical drives



Create the optimum drive package quickly and reliably. Electric Motion Sizing calculates suitable combinations of electric axis, electric motor and servo drive using just a few application details. It provides all the relevant data including the bill of materials and documentation for your selected combination. This avoids design errors and results in significantly improved energy efficiency for the system. A smooth connection to the Festo Automation Suite also makes commissioning easier for you.

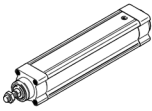
To find out more, go to www.festo.com/ems

Quickly find the right axis/motor combination with third-party motors

Select the required axis and note the code in the "Motor interface" column

Look for the interface code in the table of interfaces for third-party motors (→ from page 60) and check if the required third-party motor is listed

Zulässige Achs-/Motor-Kombinationen mit Elektrozyliner ESBF



Schnittstellentabelle für Fremdmotoren
 → ab Seite 67
 Technische Daten für Axialbausätze
 → ab Seite 72

| Motor/Getriebe ¹⁾ | Schnittstelle | Axialbausatz | |
|------------------------------|---------------|--------------|---------------------------------|
| Typ | Motor | Teile-Nr. | Typ |
| ESBF-32 | | | |
| mit Servomotor | | | |
| EMME-AS-40-... | 40P | 1976465 | EAMM-A-D32-40P |
| | | 2207372 | EAMM-A-D32-40P-S1 ²⁾ |
| EMMS-AS-40-..., Fremdmotor | 40A | 543147 | EAMM-A-D32-40A |
| | | 1322178 | EAMM-A-D32-40A-S1 ²⁾ |

| Fremdmotoren und Fremdgetriebe | | |
|--------------------------------|--|---|
| Schnittstelle | Hersteller | Typ |
| Fremdmotoren | | |
| 50AA | SEW Eurodrive | CMP40; CMP40S/IM |
| | Bosch Rexroth | MKD 025; MSK030B; MSK030C; MSK03x |
| | Danaher Motion | AKM21 AC; AKM21 AN; AKM22 AC; AKM22 AN; AKM23 AC; AKM23 AN; AKM24 AC; AKM24 AN; AKM2x-AC/AN |
| | Beckhoff | AM3021; AM3022; AM3023; AM3024 |
| | B+R Automation | 8ISA2 |
| Mitsubishi | AKM21; AKM21x-Ax; AKM22; AKM22x-Ax; AKM23; AKM23x-Ax; AKM24; AKM24x-Ax | |
| 60AA | Fastech | EzM2-60S/M/L |

Overview of interfaces

| Axis mechanism interface | |
|--------------------------|--|
| D19 | EGSL-35 |
| D32 | ESBF-32, EGSL-45, ERMB-20, EHMB-20 |
| D32-35A | ERMB-20, EHMB-20 |
| D40 | ESBF-40, EGSL-55, ERMB-25, EHMB-25 |
| D50 | ESBF-50 |
| D60 | ESBF-63, EGSL-75, ERMB-32, EHMB-32 |
| D80 | ESBF-80 |
| D100 | ESBF-100 |
| L27 | EGC-50-...-TB |
| L38 | EGC-70-...-TB |
| L48 | EGC-80-...-TB |
| L62 | EGC-120-...-TB |
| L95 | EGC-185-...-TB |
| M43 | EGC-HD-125-...-TB |
| M48 | EGC-HD-160-...-TB |
| M80 | EGC-HD-220-...-TB |
| N38 | ELGA-TB-...-70 |
| N48 | ELGA-TB-...-80, ELCC-TB-...-60, ELCC-TB-...-70 |
| N80 | ELGA-TB-...-120, ELCC-TB-...-90 |
| L95 | ELGA-TB-...-150, ELCC-TB-...-110 |
| P3-28D | EGSK-15 |
| P4-28B | EGSK-20 |
| P5-28B | EGSK-26 |
| P6-38A | EGSK-33 |
| P8-38A | EGSK-46 |
| R27 | ELGG-...-35, ELGR-...-35 |
| R38 | ELGG-...-45, ELGR-...-45 |
| R48 | ELGG-...-55, ELGR-...-55 |
| S38 | EGC-70-...-BS, EGC-HD-125-...-BS, ELGA-BS-...-70 |
| S48 | EGC-80-...-BS, EGC-HD-160-...-BS, ELGA-BS-...-80 |
| S62 | EGC-120-...-BS, EGC-HD-220-...-BS, ELGA-BS-...-120 |
| S95 | EGC-185-...-BS, ELGA-BS-...-150 |
| V20 | EPCC-25, EGSC-25 |
| V25 | EPCC-32, EGSC-32, ELGC-BS-32 |
| V32 | EPCC-45, EGSC-45, ELGC-BS-45, ELGC-TB-45 |
| T42 | EPCC-60, EGSC-60, ELGC-BS-60, ELGC-TB-60 |
| T46 | ELGC-BS-80, ELGC-TB-80, ELGT-BS-90/-120/-160 |
| X48 | EXCM-40, EXCH-40 |
| X62 | EXCH-60 |
| Y62 | EXCT-30 |

| Motor interface | |
|-----------------|--------------------------|
| 28A | Stepper motor EMMS-ST-28 |
| 28AA | Third-party motor |
| 38AA | Third-party motor |

| | |
|------|---|
| 40A | Third-party motor |
| 40G | Gear unit EMGA-40, EMGC-40, third-party gear unit |
| 40P | Servo motor EMME-AS-40, third-party motor |
| 40R | Third-party motor |
| 40RA | Third-party motor |
| 42A | Stepper motor EMMS-ST-42, third-party motor |
| 42AB | Third-party motor |
| 50GA | Third-party motor |
| 55A | Third-party motor |
| 57A | Stepper motor EMMS-ST-57 |
| 57AA | Third-party motor |
| 58AA | Third-party motor |
| 60AA | Third-party motor |
| 60AB | Third-party motor |
| 60G | Gear unit EMGA-60-P-...-SAS/SST |
| 60H | Gear unit EMGA-60-...-EAS, EMGC-60, third-party motor |
| 60P | Servo motor EMMT-AS-60, EMME-AS-60, third-party motor |
| 60PA | Third-party motor |
| 60R | Third-party motor |
| 60RA | Third-party motor |
| 67A | Integrated drive EMCA-EC-67 |
| 70A | Third-party motor |
| 70AA | Third-party motor |
| 70GA | Third-party gear unit |
| 80G | Gear unit EMGA-80, third-party gear unit |
| 80P | Servo motor EMMT-AS-80, EMME-AS-80, third-party motor |
| 80PA | Third-party motor |
| 80PB | Third-party motor |
| 82AA | Third-party motor |
| 84AA | Third-party motor |
| 85AA | Third-party motor |
| 87A | Stepper motor EMMS-ST-87 |
| 90GA | Third-party motor |
| 100A | Servo motor EMMT-AS-100, EMME-AS-100, third-party motor |
| 120G | Gear unit EMGA-120-...-SAS, third-party gear unit |
| 140A | Servo motor EMMS-AS-140 |
| 150A | Servo motor EMMS-AS-150 |
| 160G | Gear unit EMGA-160-...-SAS, third-party gear unit |
| 190A | Servo motor EMMT-AS-190 |

Product range overview

Permissible axis/motor combinations with electric cylinder EPCC

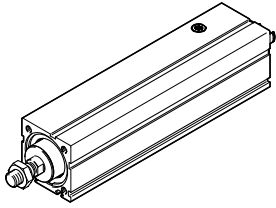


Table of interfaces for third-party motors

→ from page 60

Technical data for axial kits

→ from page 65

| Motor ¹⁾ Type | Motor interface | Axial kit | |
|--|-----------------|-----------|-----------------|
| | | Part no. | Type |
| EPCC-25 | | | |
| With stepper motor | | | |
| EMMS-ST-28-... | 28A | 4505258 | EAMM-A-V20-28A |
| Third-party motor | 28AA | 8093016 | EAMM-A-V20-28AA |
| EPCC-32 | | | |
| With servo motor | | | |
| Third-party motor | 38AA | 8093162 | EAMM-A-V25-38AA |
| EMME-AS-40-... | 40P | 4491059 | EAMM-A-V25-40P |
| Third-party motor | 40R | 8087062 | EAMM-A-V25-40R |
| Third-party motor | 40RA | 8094100 | EAMM-A-V25-40RA |
| With stepper motor | | | |
| Third-party motor | 35A, 35AB | 8093255 | EAMM-A-V25-35A |
| EMMS-ST-42-..., third-party motor | 42A | 4582608 | EAMM-A-V25-42A |
| Third-party motor | 42AB | 8094108 | EAMM-A-V25-42AB |
| EPCC-45 | | | |
| With servo motor | | | |
| Third-party motor | 38AA | 8093023 | EAMM-A-V32-38AA |
| EMME-AS-40-... | 40P | 4595742 | EAMM-A-V32-40P |
| Third-party motor | 40R | 8087090 | EAMM-A-V32-40R |
| Third-party motor | 40RA | 8094180 | EAMM-A-V32-40RA |
| Third-party motor | 58AA | 8098982 | EAMM-A-V32-58AA |
| EMMT-AS-60-..., EMME-AS-60-..., third-party motor | 60P | 4608750 | EAMM-A-V32-60P |
| Third-party motor | 60PA | 8091053 | EAMM-A-V32-60PA |
| Third-party motor | 60RA | 8093041 | EAMM-A-V32-60RA |
| With stepper motor | | | |
| EMMS-ST-42-..., third-party motor | 42A | 4281142 | EAMM-A-V32-42A |
| Third-party motor | 42AB | 8094200 | EAMM-A-V32-42AB |
| EMMS-ST-57-... | 57A | 4597016 | EAMM-A-V32-57A |
| Third-party motor | 60AA | 8092271 | EAMM-A-V32-60AA |
| EPCC-60 | | | |
| With servo motor | | | |
| Third-party motor | 55A | 8082614 | EAMM-A-T42-55A |
| Third-party motor | 58AA | 8094935 | EAMM-A-T42-58AA |
| EMMT-AS-60-..., EMME-AS-60-..., third-party motor | 60P, 60PA | 4133487 | EAMM-A-T42-60P |
| Third-party motor | 60R | 8093289 | EAMM-A-T42-60R |
| Third-party motor | 60RA | 8092264 | EAMM-A-T42-60RA |
| EMMT-AS-80-..., EMME-AS-80-..., third-party motor | 80P | 4623788 | EAMM-A-T42-80P |
| With stepper motor | | | |
| EMMS-ST-57-... | 57A | 4327034 | EAMM-A-T42-57A |
| Third-party motor | 60AA | 8092255 | EAMM-A-T42-60AA |
| Third-party motor | 60AB | 8094949 | EAMM-A-T42-60AB |
| EMMS-ST-87-... | 87A | 4610008 | EAMM-A-T42-87A |
| With integrated drive | | | |
| EMCA-EC-67-... | 67A | 8084497 | EAMM-A-T42-67A |
| With integrated drive and right-angle gear unit | | | |
| EMCA-EC-67-... EMGC-67-A-G1-SEC-67 | 67A | 8084497 | EAMM-A-T42-67A |

1) The input torque must not exceed the max. permissible transferable torque of the axial kit.

Product range overview

Permissible axis/motor combinations with electric cylinder ESBF

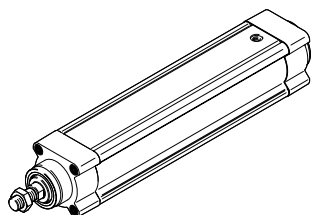


Table of interfaces for third-party motors

→ from page 60

Technical data for axial kits

→ from page 65

| Motor/gear unit ¹⁾ Type | Motor interface | Axial kit | |
|---|-----------------|----------------------|---|
| | | Part no. | Type |
| ESBF-32 | | | |
| With servo motor | | | |
| EMME-AS-40-... | 40P | ★ 1976465 2207372 | EAMM-A-D32-40P EAMM-A-D32-40P-S1 ²⁾ |
| Third-party motor | 40A | 543147 1322178 | EAMM-A-D32-40A EAMM-A-D32-40A-S1 ²⁾ |
| Third-party motor | 40R | 8105826 | EAMM-A-D32-40R |
| Third-party motor | 40RA | 8125610 | EAMM-A-D32-40RA |
| Third-party motor | 55A | 550979 1322180 | EAMM-A-D32-55A EAMM-A-D32-55A-S1 ²⁾ |
| Third-party motor | 58AA | 8105884 | EAMM-A-D32-58AA |
| EMMT-AS-60-..., EMME-AS-60-..., third-party motor | 60P | ★ 1956054 2234020 | EAMM-A-D32-60P EAMM-A-D32-60P-S1 ²⁾ |
| Third-party motor | 60R | 8105918 | EAMM-A-D32-60R |
| Third-party motor | 60RA | 8105889 | EAMM-A-D32-60RA |
| With servo motor and gear unit | | | |
| EMME-AS-40-... EMGA-40-P-G...-EAS-40 | 40G | 1454238 2256396 | EAMM-A-D32-40G EAMM-A-D32-40G-S1 ²⁾ |
| EMMT-AS-60-..., EMME-AS-60-... EMGA-60-P-G...-EAS-60 | 60H | 2946760 2946761 | EAMM-A-D32-60H EAMM-A-D32-60H-S1 ²⁾ |
| With servo motor and right-angle gear unit | | | |
| EMME-AS-40-... EMGA-40-A-G...-40P | 40G | 1454238 2256396 | EAMM-A-D32-40G EAMM-A-D32-40G-S1 ²⁾ |
| EMMT-AS-60-..., EMME-AS-60-... EMGA-60-A-G...-60P | 60H | 2946760 2946761 | EAMM-A-D32-60H EAMM-A-D32-60H-S1 ²⁾ |
| With stepper motor | | | |
| Third-party motor | 60AA | 8105887 | EAMM-A-D32-60AA |

1) The input torque must not exceed the max. permissible transferable torque of the axial kit.

2) Increased degree of protection IP65



Product range overview

Permissible axis/motor combinations with electric cylinder ESBF

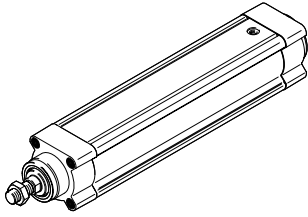


Table of interfaces for third-party motors

→ from page 60

Technical data for axial kits

→ from page 65

| Motor/gear unit ¹⁾ | Motor interface | Axial kit | |
|--|-----------------|-----------|---------------------------------|
| | | Part no. | Type |
| ESBF-32 | | | |
| With stepper motor | | | |
| EMMS-ST-42-..., third-party motor | 42A | ★ 543148 | EAMM-A-D32-42A |
| | | 1322179 | EAMM-A-D32-42A-S1 ²⁾ |
| EMMS-ST-57-..., third-party motor | 57A | ★ 550980 | EAMM-A-D32-57A |
| | | 1322181 | EAMM-A-D32-57A-S1 ²⁾ |
| Third-party motor | 60AA | 8105887 | EAMM-A-D32-60AA |
| With stepper motor and gear unit | | | |
| EMMS-ST-42-... EMGA-40-P-G...-SST-42 | 40G | 1454238 | EAMM-A-D32-40G |
| | | 2256396 | EAMM-A-D32-40G-S1 ²⁾ |
| EMMS-ST-57-... EMGA-60-P-G...-SST-57 | 60G | 2946758 | EAMM-A-D32-60G |
| | | 2946759 | EAMM-A-D32-60G-S1 ²⁾ |
| With integrated drive | | | |
| EMCA-EC-67-... | 67A | 1454239 | EAMM-A-D32-67A |
| | | 2256397 | EAMM-A-D32-67A-S1 ²⁾ |
| With integrated drive and gear unit | | | |
| EMCA-EC-67-... EMGC-40-... | 40G | 1454238 | EAMM-A-D32-40G |
| | | 2256396 | EAMM-A-D32-40G-S1 ²⁾ |
| EMCA-EC-67-... EMGC-60-... | 60H | 2946760 | EAMM-A-D32-60H |
| | | 2946761 | EAMM-A-D32-60H-S1 ²⁾ |
| With integrated drive and right-angle gear unit | | | |
| EMCA-EC-67-... EMGC-67-A-G1-SEC-67 | 67A | 1454239 | EAMM-A-D32-67A |
| | | 2256397 | EAMM-A-D32-67A-S1 ²⁾ |
| With third-party gear unit | | | |
| Third-party gear unit | 40G | 1454238 | EAMM-A-D32-40G |
| | | 2256396 | EAMM-A-D32-40G-S1 ²⁾ |
| Third-party gear unit | 50GA | 8117072 | EAMM-A-D32-50GA |
| Third-party gear unit | 60H | 2946760 | EAMM-A-D32-60H |
| | | 2946761 | EAMM-A-D32-60H-S1 ²⁾ |

1) The input torque must not exceed the max. permissible transferable torque of the axial kit.

2) Increased degree of protection IP65



Product range overview

Permissible axis/motor combinations with electric cylinder ESBF

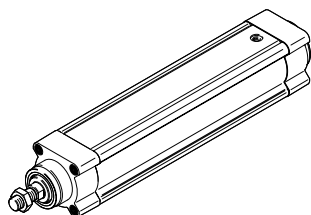


Table of interfaces for third-party motors

→ from page 60

Technical data for axial kits

→ from page 65

| Motor/gear unit ¹⁾ | Motor interface | Axial kit | |
|---|-----------------|-----------|---------------------------------|
| | | Part no. | Type |
| ESBF-40 | | | |
| With servo motor | | | |
| Third-party motor | 55A | 543153 | EAMM-A-D40-55A |
| | | 1322182 | EAMM-A-D40-55A-S1 ²⁾ |
| Third-party motor | 58AA | 8105928 | EAMM-A-D40-58AA |
| EMMT-AS-60-..., EMME-AS-60-..., third-party motor | 60P | ★ 1977000 | EAMM-A-D40-60P |
| | | 2151519 | EAMM-A-D40-60P-S1 ²⁾ |
| Third-party motor | 60R | 8117079 | EAMM-A-D40-60R |
| Third-party motor | 60RA | 8117078 | EAMM-A-D40-60RA |
| Third-party motor | 70A | 550981 | EAMM-A-D40-70A |
| | | 1322185 | EAMM-A-D40-70A-S1 ²⁾ |
| Third-party motor | 70AA, 70AB | 8105952 | EAMM-A-D40-70AA |
| With servo motor and gear unit | | | |
| EMME-AS-40-... | 40G | 2256398 | EAMM-A-D40-40G-G2 ²⁾ |
| EMGA-40-P-G...-EAS-40 | | 2256399 | EAMM-A-D40-40G-S1 ²⁾ |
| EMMT-AS-60-..., EMME-AS-60-... | 60H | 1454242 | EAMM-A-D40-60H |
| EMGA-60-P-G...-EAS-60 | | 2256401 | EAMM-A-D40-60H-S1 ²⁾ |
| With servo motor and right-angle gear unit | | | |
| EMME-AS-40-... | 40G | 2256398 | EAMM-A-D40-40G-G2 ²⁾ |
| EMGA-40-A-G...-40P | | 2256399 | EAMM-A-D40-40G-S1 ²⁾ |
| EMMT-AS-60-..., EMME-AS-60-... | 60H | 1454242 | EAMM-A-D40-60H |
| EMGA-60-A-G...-60P | | 2256401 | EAMM-A-D40-60H-S1 ²⁾ |
| With stepper motor | | | |
| EMMS-ST-57-... | 57A | 543154 | EAMM-A-D40-57A |
| | | 1322183 | EAMM-A-D40-57A-S1 ²⁾ |
| Third-party motor | 60AA | 8105929 | EAMM-A-D40-60AA |
| EMMS-ST-87-... | 87A | ★ 550982 | EAMM-A-D40-87A |
| | | 1322186 | EAMM-A-D40-87A-S1 ²⁾ |
| With stepper motor and gear unit | | | |
| EMMS-ST-42-... | 40G | 2256398 | EAMM-A-D40-40G-G2 ²⁾ |
| EMGA-40-P-G...-SST-42 | | 2256399 | EAMM-A-D40-40G-S1 ²⁾ |
| EMMS-ST-57-... | 60G | 2256400 | EAMM-A-D40-60G |
| EMGA-60-P-G...-SST-57 | | 2256409 | EAMM-A-D40-60G-S1 ²⁾ |

1) The input torque must not exceed the max. permissible transferable torque of the axial kit.

2) Increased degree of protection IP65

3) The axial kit can be retrofitted from IP40 to IP65 with the help of a seal set EADS-F → page 57.

Festo Core Range



Generally ready for shipping ex works in 24 hours

Generally ready for shipping ex works in 5 days

Product range overview

Permissible axis/motor combinations with electric cylinder ESBF

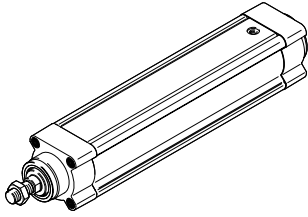


Table of interfaces for third-party motors

→ from page 60

Technical data for axial kits

→ from page 65

| Motor/gear unit ¹⁾ Type | Motor interface | Axial kit | |
|--|-----------------|-----------|---------------------------------|
| | | Part no. | Type |
| ESBF-40 | | | |
| With integrated drive | | | |
| EMCA-EC-67-... | 67A | 1454243 | EAMM-A-D40-67A |
| | | 2256695 | EAMM-A-D40-67A-S1 ²⁾ |
| With integrated drive and gear unit | | | |
| EMCA-EC-67-... | 40G | 2256398 | EAMM-A-D40-40G-G2 ²⁾ |
| EMGC-40-... | | 2256399 | EAMM-A-D40-40G-S1 ²⁾ |
| EMCA-EC-67-... | 60H | 1454242 | EAMM-A-D40-60H |
| EMGC-60-... | | 2256401 | EAMM-A-D40-60H-S1 ²⁾ |
| With integrated drive and right-angle gear unit | | | |
| EMCA-EC-67-... | 67A | 1454243 | EAMM-A-D40-67A |
| EMGC-67-A-G1-SEC-67 | | 2256695 | EAMM-A-D40-67A-S1 ²⁾ |
| With third-party gear unit | | | |
| Third-party gear unit | 40G | 2256398 | EAMM-A-D40-40G-G2 ²⁾ |
| | | 2256399 | EAMM-A-D40-40G-S1 ²⁾ |
| Third-party gear unit | 50GA | 8117076 | EAMM-A-D40-50GA |
| Third-party gear unit | 60H | 1454242 | EAMM-A-D40-60H |
| | | 2256401 | EAMM-A-D40-60H-S1 ²⁾ |

1) The input torque must not exceed the max. permissible transferable torque of the axial kit.

2) Increased degree of protection IP65

3) The axial kit can be retrofitted from IP40 to IP65 with the help of a seal set EADS-F → page 106.

Product range overview

Permissible axis/motor combinations with electric cylinder ESBF

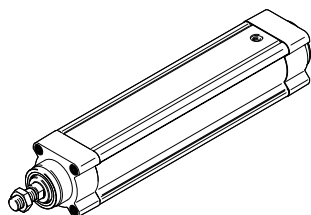


Table of interfaces for third-party motors

→ from page 60

Technical data for axial kits

→ from page 65

| Motor/gear unit ¹⁾ Type | Motor interface | Axial kit | |
|--|-----------------|-----------|----------------------------------|
| | | Part no. | Type |
| ESBF-50 | | | |
| With servo motor | | | |
| Third-party motor | 70A | 2733783 | EAMM-A-D50-70A |
| | | 2734287 | EAMM-A-D50-70A-S1 ²⁾ |
| EMMT-AS-80-..., EMME-AS-80-..., third-party motor | 80P | ★ 2733785 | EAMM-A-D50-80P |
| | | 2734289 | EAMM-A-D50-80P-S1 ²⁾ |
| Third-party motor | 80PB, 80R | 8123493 | EAMM-A-D50-80PB |
| Third-party motor | 82AA | 8123491 | EAMM-A-D50-82AA |
| Third-party motor | 84AA | 8123490 | EAMM-A-D50-84AA |
| EMMT-AS-100-..., EMME-AS-100-..., third-party motor | 100A | ★ 2733784 | EAMM-A-D50-100A |
| | | 2734288 | EAMM-A-D50-100A-S1 ²⁾ |
| With servo motor and gear unit | | | |
| EMMT-AS-60-..., EMME-AS-60-... EMGA-60-P-G...-EAS-60 | 60H | 2733796 | EAMM-A-D50-60H |
| | | 2907418 | EAMM-A-D50-60H-S1 ²⁾ |
| EMMT-AS-80-..., EMME-AS-80-... EMGA-80-P-G...-EAS-80 | 80G | 2733787 | EAMM-A-D50-80G |
| | | 2734291 | EAMM-A-D50-80G-S1 ²⁾ |
| EMMT-AS-100-..., EMME-AS-100-... EMGA-80-P-G...-SAS-100 | 80G | 2733787 | EAMM-A-D50-80G |
| | | 2734291 | EAMM-A-D50-80G-S1 ²⁾ |
| With servo motor and right-angle gear unit | | | |
| EMMT-AS-60-..., EMME-AS-60-... EMGA-60-A-G...-60P | 60H | 2733796 | EAMM-A-D50-60H |
| | | 2907418 | EAMM-A-D50-60H-S1 ²⁾ |
| EMMT-AS-80-..., EMME-AS-80-... EMGA-80-A-G...-80P | 80G | 2733787 | EAMM-A-D50-80G |
| | | 2734291 | EAMM-A-D50-80G-S1 ²⁾ |
| EMMT-AS-100-..., EMME-AS-100-... EMGA-80-A-G...-100A | 80G | 2733787 | EAMM-A-D50-80G |
| | | 2734291 | EAMM-A-D50-80G-S1 ²⁾ |
| With third-party gear unit | | | |
| Third-party gear unit | 70GA | 8123492 | EAMM-A-D50-70GA |

1) The input torque must not exceed the max. permissible transferable torque of the axial kit.

2) Increased degree of protection IP65

Festo Core Range



Generally ready for shipping ex works in 24 hours

Generally ready for shipping ex works in 5 days

Product range overview

Permissible axis/motor combinations with electric cylinder ESBF

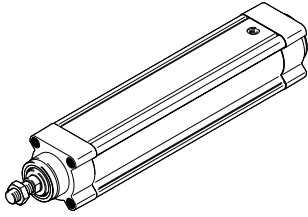


Table of interfaces for third-party motors

→ from page 60

Technical data for axial kits

→ from page 65

| Motor/gear unit ¹⁾ Type | Motor interface | Axial kit | |
|--|-----------------|-----------|---------------------------------|
| | | Part no. | Type |
| ESBF-50 | | | |
| With stepper motor | | | |
| EMMS-ST-87-... | 87A | ★ 2733781 | EAMM-A-D50-87A |
| | | 2734286 | EAMM-A-D50-87A-S1 ²⁾ |
| With stepper motor and gear unit | | | |
| EMMS-ST-57-... | 60G | 2733786 | EAMM-A-D50-60G |
| EMGA-60-P-G...-SST-57 | | 2734290 | EAMM-A-D50-60G-S1 ²⁾ |
| EMMS-ST-87-... | 80G | 2733787 | EAMM-A-D50-80G |
| EMGA-80-P-G...-SST-87 | | 2734291 | EAMM-A-D50-80G-S1 ²⁾ |
| With integrated drive and gear unit | | | |
| EMCA-EC-67-... | 60H | 2733796 | EAMM-A-D50-60H |
| EMGC-60-... | | 2907418 | EAMM-A-D50-60H-S1 ²⁾ |
| With third-party gear unit | | | |
| Third-party gear unit | 60G | 2733786 | EAMM-A-D50-60G |
| | | 2734290 | EAMM-A-D50-60G-S1 ²⁾ |
| Third-party gear unit | 60H | 2733796 | EAMM-A-D50-60H |
| | | 2907418 | EAMM-A-D50-60H-S1 ²⁾ |
| Third-party gear unit | 80G | 2733787 | EAMM-A-D50-80G |
| | | 2734291 | EAMM-A-D50-80G-S1 ²⁾ |

1) The input torque must not exceed the max. permissible transferable torque of the axial kit.

2) Increased degree of protection IP65



Product range overview

Permissible axis/motor combinations with electric cylinder ESBF

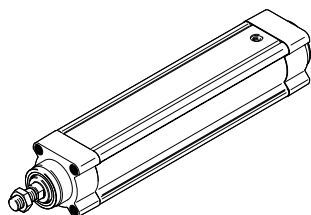


Table of interfaces for third-party motors

→ from page 60

Technical data for axial kits

→ from page 65

| Motor/gear unit ¹⁾ Type | Motor interface | Axial kit | |
|--|-----------------|-----------|----------------------------------|
| | | Part no. | Type |
| ESBF-63 | | | |
| With servo motor | | | |
| Third-party motor | 70A | 543161 | EAMM-A-D60-70A |
| | | 2256699 | EAMM-A-D60-70A-S1 ²⁾ |
| EMMT-AS-80-..., EMME-AS-80-..., third-party motor | 80P | ★ 1977073 | EAMM-A-D60-80P |
| | | 2218564 | EAMM-A-D60-80P-S1 ²⁾ |
| Third-party motor | 80PB, 80R | 8105937 | EAMM-A-D60-80PB |
| Third-party motor | 84AA | 8105945 | EAMM-A-D60-84AA |
| Third-party motor | 92RA | 8159834 | EAMM-A-D60-92RA |
| EMMT-AS-100-..., EMME-AS-100-..., third-party motor | 100A | ★ 550983 | EAMM-A-D60-100A |
| | | 2256700 | EAMM-A-D60-100A-S1 ²⁾ |
| With servo motor and gear unit | | | |
| EMMT-AS-60-..., EMME-AS-60-... EMGA-60-P-G...-EAS-60 | 60H | 1454245 | EAMM-A-D60-60H |
| | | 2256697 | EAMM-A-D60-60H-S1 ²⁾ |
| EMMT-AS-80-..., EMME-AS-80-... EMGA-80-P-G...-EAS-80 | 80G | 1499402 | EAMM-A-D60-80G |
| | | 2946762 | EAMM-A-D60-80G-S1 ²⁾ |
| EMMT-AS-100-..., EMME-AS-100-... EMGA-80-P-G...-SAS-100 | 80G | 1499402 | EAMM-A-D60-80G |
| | | 2946762 | EAMM-A-D60-80G-S1 ²⁾ |
| With servo motor and right-angle gear unit | | | |
| EMMT-AS-60-..., EMME-AS-60-... EMGA-60-A-G...-60P | 60H | 1454245 | EAMM-A-D60-60H |
| | | 2256697 | EAMM-A-D60-60H-S1 ²⁾ |
| EMMT-AS-80-..., EMME-AS-80-... EMGA-80-A-G...-80P | 80G | 1499402 | EAMM-A-D60-80G |
| | | 2946762 | EAMM-A-D60-80G-S1 ²⁾ |
| EMMT-AS-100-..., EMME-AS-100-... EMGA-80-A-G...-100A | 80G | 1499402 | EAMM-A-D60-80G |
| | | 2946762 | EAMM-A-D60-80G-S1 ²⁾ |

- 1) The input torque must not exceed the max. permissible transferable torque of the axial kit.
- 2) Increased degree of protection IP65
- 3) The axial kit can be retrofitted from IP40 to IP65 with the help of a seal set EADS-F → page 106.

Festo Core Range



Generally ready for shipping ex works in 24 hours

Generally ready for shipping ex works in 5 days

Product range overview

Permissible axis/motor combinations with electric cylinder ESBF

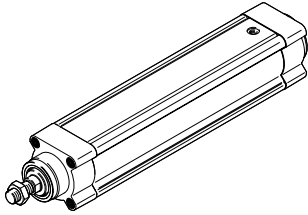


Table of interfaces for third-party motors

→ from page 60

Technical data for axial kits

→ from page 65

| Motor/gear unit ¹⁾ Type | Motor interface | Axial kit | |
|--|-----------------|-----------|---------------------------------|
| | | Part no. | Type |
| ESBF-63 | | | |
| With stepper motor | | | |
| EMMS-ST-87-... | 87A | ★ 543162 | EAMM-A-D60-87A |
| | | 1322188 | EAMM-A-D60-87A-S1 ²⁾ |
| With stepper motor and gear unit | | | |
| EMMS-ST-57-... EMGA-60-P-G...-SST-57 | 60G | 2256696 | EAMM-A-D60-60G-G2 ³⁾ |
| | | 2256698 | EAMM-A-D60-60G-S1 ²⁾ |
| EMMS-ST-87-... EMGA-80-P-G...-SST-87 | 80G | 1499402 | EAMM-A-D60-80G |
| | | 2946762 | EAMM-A-D60-80G-S1 ²⁾ |
| With integrated drive and gear unit | | | |
| EMCA-EC-67-... EMGC-60-... | 60H | 1454245 | EAMM-A-D60-60H |
| | | 2256697 | EAMM-A-D60-60H-S1 ²⁾ |
| With third-party gear unit | | | |
| Third-party gear unit | 60H | 1454245 | EAMM-A-D60-60H |
| | | 2256697 | EAMM-A-D60-60H-S1 ²⁾ |
| Third-party gear unit | 80G | 1499402 | EAMM-A-D60-80G |
| | | 2946762 | EAMM-A-D60-80G-S1 ²⁾ |
| Third-party gear unit | 90GA | 8105944 | EAMM-A-D60-90GA |

1) The input torque must not exceed the max. permissible transferable torque of the axial kit.

2) Increased degree of protection IP65

3) The axial kit can be retrofitted from IP40 to IP65 with the help of a seal set EADS-F → page 106.



Product range overview

Permissible axis/motor combinations with electric cylinder ESBF

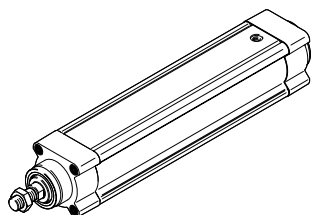


Table of interfaces for third-party motors

→ from page 60

Technical data for axial kits

→ from page 65

| Motor/gear unit ¹⁾ | Motor interface | Axial kit | |
|---|-----------------|-----------|-----------------------------------|
| | | Part no. | Type |
| ESBF-80 | | | |
| With servo motor | | | |
| Third-party motor | 84AA | 8110055 | EAMM-A-D80-84AA |
| EMMT-AS-100-..., EMME-AS-100-..., third-party motor | 100A | 1589665 | EAMM-A-D80-100A |
| | | 1600673 | EAMM-A-D80-100A-S1 ²⁾ |
| EMMT-AS-150 | 150A | 8157273 | EAMM-A-D80-150A |
| | | 8157274 | EAMM-A-D80-150A-S1 ²⁾ |
| With servo motor and gear unit | | | |
| EMMT-AS-80-..., EMME-AS-80-... EMGA-80-P-G...-EAS-80 | 80G | 2946763 | EAMM-A-D80-80G |
| | | 2946764 | EAMM-A-D80-80G-S1 ²⁾ |
| EMMT-AS-100-..., EMME-AS-100-... EMGA-80-P-G...-SAS-100 | 80G | 2946763 | EAMM-A-D80-80G |
| | | 2946764 | EAMM-A-D80-80G-S1 ²⁾ |
| With servo motor and right-angle gear unit | | | |
| EMMT-AS-80-..., EMME-AS-80-... EMGA-80-A-G...-80P | 80G | 2946763 | EAMM-A-D80-80G |
| | | 2946764 | EAMM-A-D80-80G-S1 ²⁾ |
| EMMT-AS-100-..., EMME-AS-100-... EMGA-80-A-G...-100A | 80G | 2946763 | EAMM-A-D80-80G |
| | | 2946764 | EAMM-A-D80-80G-S1 ²⁾ |
| With stepper motor and gear unit | | | |
| EMMS-ST-87-... EMGA-80-P-G...-SST-87 | 80G | 2946763 | EAMM-A-D80-80G |
| | | 2946764 | EAMM-A-D80-80G-S1 ²⁾ |
| With third-party gear unit | | | |
| Third-party gear unit | 80G | 2946763 | EAMM-A-D80-80G |
| | | 2946764 | EAMM-A-D80-80G-S1 ²⁾ |
| Third-party gear unit | 90GA | 8110063 | EAMM-A-D80-90GA |
| ESBF-100 | | | |
| With servo motor | | | |
| EMMT-AS-100-..., EMME-AS-100-..., third-party motor | 100A | 3356796 | EAMM-A-D100-100A |
| | | 3356931 | EAMM-A-D100-100A-S1 ²⁾ |
| EMMT-AS-150 | 150A | 8157275 | EAMM-A-D100-150A |
| | | 8157276 | EAMM-A-D100-150A-S1 ²⁾ |
| With servo motor and gear unit | | | |
| EMMT-AS-100-..., EMME-AS-100-... EMGA-120-P-G...-SAS-100 | 120G | 2449341 | EAMM-A-D100-120G |
| | | 2946765 | EAMM-A-D100-120G-S1 ²⁾ |
| EMMS-AS-140-... EMGA-120-P-G...-SAS-140 | 120G | 2449341 | EAMM-A-D100-120G |
| | | 2946765 | EAMM-A-D100-120G-S1 ²⁾ |
| With third-party gear unit | | | |
| Third-party gear unit | 120G | 2449341 | EAMM-A-D100-120G |
| | | 2946765 | EAMM-A-D100-120G-S1 ²⁾ |

1) The input torque must not exceed the max. permissible transferable torque of the axial kit.

2) Increased degree of protection IP65

Product range overview

Permissible axis/motor combinations with toothed belt axis EGC-TB

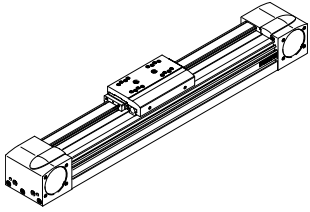


Table of interfaces for third-party motors

→ from page 60

Technical data for axial kits

→ from page 65

| Motor/gear unit ¹⁾ Type | Interface Motor | Axial kit | |
|---|--------------------|-----------|-----------------|
| | | Part no. | Type |
| EGC-50-...-TB | | | |
| With servo motor | | | |
| Third-party motor | 40A | 8063444 | EAMM-A-L27-40A |
| Third-party motor | 40R | 8063445 | EAMM-A-L27-40R |
| Third-party motor | 40RA | 8063446 | EAMM-A-L27-40RA |
| Third-party motor | 55A | 557975 | EAMM-A-L27-55A |
| Third-party motor | 58AA | 8063448 | EAMM-A-L27-58AA |
| Third-party motor | 60RA | 8063452 | EAMM-A-L27-60RA |
| Third-party motor | 60RB | 8063453 | EAMM-A-L27-60RB |
| With servo motor and gear unit | | | |
| EMME-AS-40-... EMGA-40-P-G...-EAS-40 | 40G | ☆ 557974 | EAMM-A-L27-40G |
| With servo motor and right-angle gear unit | | | |
| EMME-AS-40-... EMGA-40-A-G...-40P | 40G | ☆ 557974 | EAMM-A-L27-40G |
| With stepper motor | | | |
| EMMS-ST-42-..., third-party motor | 42A | 8063447 | EAMM-A-L27-42A |
| EMMS-ST-57-... | 57A | ☆ 560678 | EAMM-A-L27-57A |
| Third-party motor | 57AA | 8063449 | EAMM-A-L27-57AA |
| Third-party motor | 57AB | 8063450 | EAMM-A-L27-57AB |
| Third-party motor | 57AC | 8063451 | EAMM-A-L27-57AC |
| With stepper motor and gear unit | | | |
| EMMS-ST-42-... EMGA-40-P-G...-SST-42 | 40G | ☆ 557974 | EAMM-A-L27-40G |
| EMMS-ST-57-... EMGA-60-P-G...-SST-57 | 60G | 8063455 | EAMM-A-L27-60G |
| With integrated drive | | | |
| EMCA-EC-67-... | 67A | 1454261 | EAMM-A-L27-67A |
| With integrated drive and gear unit | | | |
| EMCA-EC-67-... EMGC-40 | 40G | ☆ 557974 | EAMM-A-L27-40G |
| With third-party gear unit | | | |
| Third-party gear unit | 50GA | 8063454 | EAMM-A-L27-50GA |
| Third-party gear unit | 60G | 8063455 | EAMM-A-L27-60G |

1) The input torque must not exceed the max. permissible transferable torque of the axial kit.



Product range overview

Permissible axis/motor combinations with toothed belt axis EGC-TB

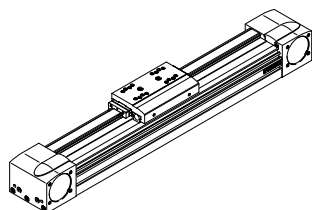


Table of interfaces for third-party motors

→ from page 60

Technical data for axial kits

→ from page 65

| Motor/gear unit ¹⁾ Type | Motor interface | Axial kit | |
|--|-----------------|-----------|-----------------|
| | | Part no. | Type |
| EGC-70-...-TB | | | |
| With servo motor | | | |
| Third-party motor | 55A | 3683331 | EAMM-A-L38-55A |
| Third-party motor | 58AA | 8063456 | EAMM-A-L38-58AA |
| EMMT-AS-60-..., EMME-AS-60-..., third-party motor | 60P | ★ 2037246 | EAMM-A-L38-60P |
| Third-party motor | 60PA | 8063459 | EAMM-A-L38-60PA |
| Third-party motor | 60R | 8107703 | EAMM-A-L38-60R |
| Third-party motor | 60RB | 8063460 | EAMM-A-L38-60RB |
| Third-party motor | 70A | 557979 | EAMM-A-L38-70A |
| Third-party motor | 70AA, 70AB | 8063461 | EAMM-A-L38-70AA |
| Third-party motor | 84AA | 8063464 | EAMM-A-L38-84AA |
| Third-party motor | 88A | 8063463 | EAMM-A-L38-88A |
| With servo motor and gear unit | | | |
| EMME-AS-40-... EMGA-40-P-G-...-EAS-40 | 40G | 8063465 | EAMM-A-L38-40G |
| EMMT-AS-60-..., EMME-AS-60-... EMGA-60-P-G-...-EAS-60 | 60H | 1456610 | EAMM-A-L38-60H |
| With servo motor and right-angle gear unit | | | |
| EMMT-AS-60-..., EMME-AS-60-... EMGA-60-A-G-...-60P | 60H | 1456610 | EAMM-A-L38-60H |
| With stepper motor | | | |
| EMMS-ST-57-... Third-party motor | 57A | ★ 560679 | EAMM-A-L38-57A |
| Third-party motor | 57AA | 8063457 | EAMM-A-L38-57AA |
| Third-party motor | 60AA | 8107702 | EAMM-A-L38-60AA |
| EMMS-ST-87-... Third-party motor | 87A | ★ 560680 | EAMM-A-L38-87A |
| With stepper motor and gear unit | | | |
| EMMS-ST-42-... EMGA-40-P-G-...-SST-42 | 40G | 8063465 | EAMM-A-L38-40G |
| EMMS-ST-57-... EMGA-60-P-G-...-SST-57 | 60G | ★ 557978 | EAMM-A-L38-60G |
| With integrated drive and gear unit | | | |
| EMCA-EC-67-... EMGC-60-... | 60H | 1456610 | EAMM-A-L38-60H |
| With third-party gear unit | | | |
| Third-party gear unit | 40G | 8063465 | EAMM-A-L38-40G |
| Third-party gear unit | 50GA | 8063466 | EAMM-A-L38-50GA |
| Third-party gear unit | 56GA | 8063467 | EAMM-A-L38-56GA |
| Third-party gear unit | 68GA | 8063469 | EAMM-A-L38-68GA |
| Third-party gear unit | 70GA | 8063468 | EAMM-A-L38-70GA |
| Third-party gear unit | 72GA | 8063470 | EAMM-A-L38-72GA |

1) The input torque must not exceed the max. permissible transferable torque of the axial kit.

Festo Core Range



Generally ready for shipping ex works in 24 hours

Generally ready for shipping ex works in 5 days

Product range overview

Permissible axis/motor combinations with toothed belt axis EGC-TB

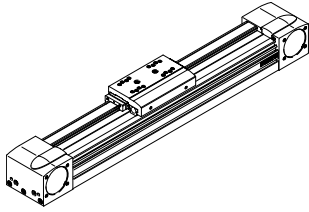


Table of interfaces for third-party motors

→ from page 60

Technical data for axial kits

→ from page 65

| Motor/gear unit ¹⁾ Type | Motor interface | Axial kit | |
|--|-----------------|-----------|--------------------|
| | | Part no. | Type |
| EGC-80-...-TB | | | |
| With servo motor | | | |
| Third-party motor | 55A | 8063471 | EAMM-A-L48-55A |
| Third-party motor | 60PA | 8063472 | EAMM-A-L48-60PA |
| Third-party motor | 70A | 557982 | EAMM-A-L48-70A |
| Third-party motor | 70AA, 70AB | 8063473 | EAMM-A-L48-70AA |
| EMMT-AS-80-..., EMME-AS-80-..., third-party motor | 80P | 8164277 | EAMM-A-L48-80P-G2 |
| Third-party motor | 80PB | 8123168 | EAMM-A-L48-80PB |
| Third-party motor | 82AA | 8063475 | EAMM-A-L48-82AA |
| Third-party motor | 84AA | 8063479 | EAMM-A-L48-84AA |
| Third-party motor | 88A | 8063476 | EAMM-A-L48-88A |
| Third-party motor | 90R | 8063477 | EAMM-A-L48-90R |
| Third-party motor | 92RA | 8063478 | EAMM-A-L48-92RA |
| EMMT-AS-100-..., EMME-AS-100-..., third-party motor | 100A | 8164278 | EAMM-A-L48-100A-G2 |
| With servo motor and gear unit | | | |
| EMME-AS-40-... EMGA-40-P-G...-EAS-40 | 40G | 8063480 | EAMM-A-L48-40G |
| EMMT-AS-60-..., EMME-AS-60-... EMGA-60-P-G...-EAS-60 | 60H | 1456611 | EAMM-A-L48-60H |
| EMMT-AS-80-..., EMME-AS-80-... EMGA-80-P-G...-EAS-80 | 80G | 8063485 | EAMM-A-L48-80G |
| EMMT-AS-100-..., EMME-AS-100-... EMGA-80-P-G...-SAS-100 | 80G | 8063485 | EAMM-A-L48-80G |
| With servo motor and right-angle gear unit | | | |
| EMME-AS-40-... EMGA-40-A-G...-40P | 40G | 8063480 | EAMM-A-L48-40G |
| EMMT-AS-60-..., EMME-AS-60-... EMGA-60-A-G...-60P | 60H | 1456611 | EAMM-A-L48-60H |
| EMMT-AS-80-..., EMME-AS-80-... EMGA-80-A-G...-80P | 80G | 8063485 | EAMM-A-L48-80G |
| EMMT-AS-100-..., EMME-AS-100-... EMGA-80-A-G...-100A | 80G | 8063485 | EAMM-A-L48-80G |

1) The input torque must not exceed the max. permissible transferable torque of the axial kit.

Product range overview

Permissible axis/motor combinations with toothed belt axis EGC-TB

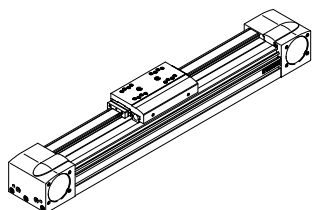


Table of interfaces for third-party motors

→ from page 60

Technical data for axial kits

→ from page 65

| Motor/gear unit ¹⁾ Type | Motor interface | Axial kit | |
|--|-----------------|-----------|------------------|
| | | Part no. | Type |
| With stepper motor | | | |
| EMMS-ST-87-... | 87A | ★ 560683 | EAMM-A-L48-87A |
| With stepper motor and gear unit | | | |
| EMMS-ST-57-... EMGA-60-P-G...-SST-57 | 60G | ★ 557983 | EAMM-A-L48-60G |
| EMMS-ST-87-... EMGA-80-P-G...-SST-87 | 80G | 8063485 | EAMM-A-L48-80G |
| With integrated drive and gear unit | | | |
| EMCA-EC-67-... EMGC-60-... | 60H | 1456611 | EAMM-A-L48-60H |
| With third-party gear unit | | | |
| Third-party gear unit | 40G | 8063480 | EAMM-A-L48-40G |
| Third-party gear unit | 50GA | 8063481 | EAMM-A-L48-50GA |
| Third-party gear unit | 56GA | 8063482 | EAMM-A-L48-56GA |
| Third-party gear unit | 68GA | 8063486 | EAMM-A-L48-68GA |
| Third-party gear unit | 70GA | 8063483 | EAMM-A-L48-70GA |
| Third-party gear unit | 72GA | 8063487 | EAMM-A-L48-72GA |
| Third-party gear unit | 75GA | 8063484 | EAMM-A-L48-75GA |
| Third-party gear unit | 80G | 8063485 | EAMM-A-L48-80G |
| Third-party gear unit | 90GA | 8063489 | EAMM-A-L48-90GA |
| Third-party gear unit | 90GB | 8063488 | EAMM-A-L48-90GB |
| Third-party gear unit | 120GA | 8063490 | EAMM-A-L48-120GA |

1) The input torque must not exceed the max. permissible transferable torque of the axial kit.

Festo Core Range



Generally ready for shipping ex works in 24 hours

Generally ready for shipping ex works in 5 days

Product range overview

Permissible axis/motor combinations with toothed belt axis EGC-TB

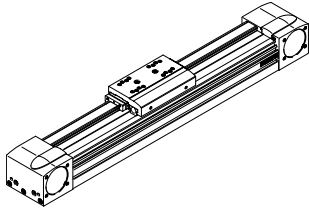


Table of interfaces for third-party motors

→ from page 60

Technical data for axial kits

→ from page 65

| Motor/gear unit ¹⁾ | Motor interface | Axial kit | |
|--|-----------------|-----------|--------------------|
| | | Part no. | Type |
| EGC-120-...-TB | | | |
| With servo motor | | | |
| Third-party motor | 84AA | 8063493 | EAMM-A-L62-84AA |
| Third-party motor | 88A | 8063492 | EAMM-A-L62-88A |
| EMMT-AS-100-..., EMME-AS-100-..., third-party motor | 100A | 8164276 | EAMM-A-L62-100A-G2 |
| Third-party motor | 108AA | 8063494 | EAMM-A-L62-108AA |
| EMMT-AS-150-... | 150A | 8157270 | EAMM-A-L62-150A |
| With servo motor and gear unit | | | |
| EMMT-AS-60-..., EMME-AS-60-... EMGA-60-P-G...-EAS-60 | 60H | 8063498 | EAMM-A-L62-60H |
| EMMT-AS-80-..., EMME-AS-80-... EMGA-80-P-G...-EAS-80 | 80G | ★ 557989 | EAMM-A-L62-80G |
| EMMT-AS-100-..., EMME-AS-100-... EMGA-80-P-G...-SAS-100 | 80G | ★ 557989 | EAMM-A-L62-80G |
| With servo motor and right-angle gear unit | | | |
| EMMT-AS-60-..., EMME-AS-60-... EMGA-60-A-G...-60P | 60H | 8063498 | EAMM-A-L62-60H |
| EMMT-AS-80-..., EMME-AS-80-... EMGA-80-A-G...-80P | 80G | ★ 557989 | EAMM-A-L62-80G |
| EMMT-AS-100-..., EMME-AS-100-... EMGA-80-A-G...-100A | 80G | ★ 557989 | EAMM-A-L62-80G |
| With stepper motor and gear unit | | | |
| EMMS-ST-87-... EMGA-80-P-G...-SST-87 | 80G | ★ 557989 | EAMM-A-L62-80G |
| With third-party gear unit | | | |
| Third-party gear unit | 56GA | 8063497 | EAMM-A-L62-56GA |
| Third-party gear unit | 60H | 8063498 | EAMM-A-L62-60H |
| Third-party gear unit | 68GA | 8063502 | EAMM-A-L62-68GA |
| Third-party gear unit | 70GA | 8063499 | EAMM-A-L62-70GA |
| Third-party gear unit | 72GA | 8063503 | EAMM-A-L62-72GA |
| Third-party gear unit | 75GA | 8063500 | EAMM-A-L62-75GA |
| Third-party gear unit | 80G | ★ 557989 | EAMM-A-L62-80G |
| Third-party gear unit | 90GA | 8063505 | EAMM-A-L62-90GA |
| Third-party gear unit | 90GB | 8063504 | EAMM-A-L62-90GB |
| Third-party gear unit | 115GA | 8063506 | EAMM-A-L62-115GA |
| Third-party gear unit | 120G | 8063507 | EAMM-A-L62-120G |
| Third-party gear unit | 120GA | 8063508 | EAMM-A-L62-120GA |
| Third-party gear unit | 120GB | 8063509 | EAMM-A-L62-120GB |
| Third-party gear unit | 120GC | 8063510 | EAMM-A-L62-120GC |

1) The input torque must not exceed the max. permissible transferable torque of the axial kit.



Product range overview

Permissible axis/motor combinations with toothed belt axis EGC-TB

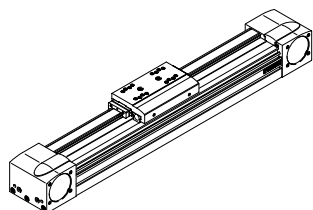


Table of interfaces for third-party motors

→ from page 60

Technical data for axial kits

→ from page 65

| Motor/gear unit ¹⁾ Type | Motor interface | Axial kit | |
|---|-----------------|-----------|--------------------|
| | | Part no. | Type |
| EGC-185-...-TB | | | |
| With servo motor | | | |
| EMMT-AS-150-... | 150A | 8157280 | EAMM-A-L95-150A-G2 |
| EMMS-AS-190-... | 190A | 3659562 | EAMM-A-L95-190A-G2 |
| EMMT-AS-190-... | 190B | 8157282 | EAMM-A-L95-190B-G2 |
| With servo motor and gear unit | | | |
| EMMT-AS-80-..., EMME-AS-80-... EMGA-80-P-G...-EAS-80 | 80G | 3660191 | EAMM-A-L95-80G-G2 |
| EMMT-AS-100-..., EMME-AS-100-... EMGA-80-P-G...-SAS-100 | 80G | 3660191 | EAMM-A-L95-80G-G2 |
| EMMT-AS-100-..., EMME-AS-100-... EMGA-120-P-G...-SAS-100 | 120G | ★ 3659941 | EAMM-A-L95-120G-G2 |
| EMMS-AS-140-... EMGA-120-P-G...-SAS-140 | 120G | ★ 3659941 | EAMM-A-L95-120G-G2 |
| With servo motor and right-angle gear unit | | | |
| EMMT-AS-80-..., EMME-AS-80-... EMGA-80-A-G...-80P | 80G | 3660191 | EAMM-A-L95-80G-G2 |
| EMMT-AS-100-..., EMME-AS-100-... EMGA-80-A-G...-100A | 80G | 3660191 | EAMM-A-L95-80G-G2 |
| With third-party gear unit | | | |
| Third-party gear unit | 68GA | 8063524 | EAMM-A-L95-68GA |
| Third-party gear unit | 72GA | 8063525 | EAMM-A-L95-72GA |
| Third-party gear unit | 75GA | 8063522 | EAMM-A-L95-75GA |
| Third-party gear unit | 80G | 3660191 | EAMM-A-L95-80G-G2 |
| Third-party gear unit | 90GA | 8063526 | EAMM-A-L95-90GA |
| Third-party gear unit | 115GA | 8063527 | EAMM-A-L95-115GA |
| Third-party gear unit | 120G | ★ 3659941 | EAMM-A-L95-120G-G2 |
| Third-party gear unit | 120GA | 8063529 | EAMM-A-L95-120GA |
| Third-party gear unit | 120GB | 8063530 | EAMM-A-L95-120GB |
| Third-party gear unit | 120GC | 8063531 | EAMM-A-L95-120GC |
| Third-party gear unit | 160G | 8063532 | EAMM-A-L95-160G |

1) The input torque must not exceed the max. permissible transferable torque of the axial kit.

Festo Core Range



Generally ready for shipping ex works in 24 hours

Generally ready for shipping ex works in 5 days

Product range overview

Permissible axis/motor combinations with spindle axis EGC-BS

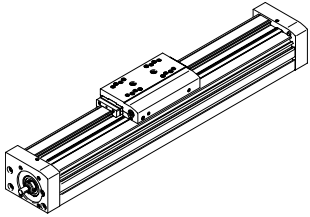


Table of interfaces for third-party motors

→ from page 60

Technical data for axial kits

→ from page 65

| Motor/gear unit ¹⁾ Type | Motor interface | Axial kit | |
|---|-----------------|-----------|-------------------|
| | | Part no. | Type |
| EGC-70-...-BS | | | |
| With servo motor | | | |
| EMME-AS-40-... | 40P | ★ 3637972 | EAMM-A-S38-40P-G2 |
| Third-party motor | 40A | 3637971 | EAMM-A-S38-40A-G2 |
| Third-party motor | 55A | 3637967 | EAMM-A-S38-55A-G2 |
| Third-party motor | 58AA | 8105927 | EAMM-A-S38-58AA |
| EMMT-AS-60-..., EMME-AS-60-..., third-party motor | 60P | ★ 3637958 | EAMM-A-S38-60P-G2 |
| Third-party motor | 60R | 8105923 | EAMM-A-S38-60R |
| Third-party motor | 60RA | 8105924 | EAMM-A-S38-60RA |
| With servo motor and gear unit | | | |
| EMME-AS-40-... EMGA-40-P-G...-EAS-40 | 40G | 1456647 | EAMM-A-S38-40G-G2 |
| With servo motor and right-angle gear unit | | | |
| EMME-AS-40-... EMGA-40-A-G...-40P | 40G | 1456647 | EAMM-A-S38-40G-G2 |
| With stepper motor | | | |
| EMMS-ST-42-..., third-party motor | 42A | ★ 3637965 | EAMM-A-S38-42A-G2 |
| EMMS-ST-57-... | 57A | ★ 3637956 | EAMM-A-S38-57A-G2 |
| Third-party motor | 60AA | 8105926 | EAMM-A-S38-60AA |
| With stepper motor and gear unit | | | |
| EMMS-ST-42-... EMGA-40-P-G...-SST-42 | 40G | 1456647 | EAMM-A-S38-40G-G2 |
| With integrated drive | | | |
| EMCA-EC-67-... | 67A | 1456638 | EAMM-A-S38-67A-G2 |
| With integrated drive and gear unit | | | |
| EMCA-EC-67-... EMGC-40-... | 40G | 1456647 | EAMM-A-S38-40G-G2 |
| With third-party gear unit | | | |
| Third-party gear unit | 40G | 1456647 | EAMM-A-S38-40G-G2 |
| Third-party gear unit | 50GA | 8105922 | EAMM-A-S38-50GA |

1) The input torque must not exceed the max. permissible transferable torque of the axial kit.



Product range overview

Permissible axis/motor combinations with spindle axis EGC-BS

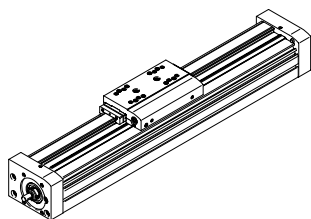


Table of interfaces for third-party motors

→ from page 60

Technical data for axial kits

→ from page 65

| Motor/gear unit ¹⁾ Type | Motor interface | Axial kit | |
|--|-----------------|-----------|-------------------|
| | | Part no. | Type |
| EGC-80-...-BS | | | |
| With servo motor | | | |
| Third-party motor | 55A | 3637961 | EAMM-A-S48-55A-G2 |
| Third-party motor | 58AA | 8105933 | EAMM-A-S48-58AA |
| EMMT-AS-60-..., EMME-AS-60-..., third-party motor | 60P | ★ 3637964 | EAMM-A-S48-60P-G2 |
| Third-party motor | 60R | 8105939 | EAMM-A-S48-60R |
| Third-party motor | 60RA | 8105941 | EAMM-A-S48-60RA |
| Third-party motor | 70A | 3637957 | EAMM-A-S48-70A-G2 |
| Third-party motor | 70AA, 70AB | 8105942 | EAMM-A-S48-70AA |
| With servo motor and gear unit | | | |
| EMME-AS-40-... EMGA-40-P-G-...-EAS-40 | 40G | 1456650 | EAMM-A-S48-40G-G2 |
| EMMT-AS-60-..., EMME-AS-60-... EMGA-60-P-G-...-EAS-60 | 60H | 1456652 | EAMM-A-S48-60H-G2 |
| With servo motor and right-angle gear unit | | | |
| EMME-AS-40-... EMGA-40-A-G-...-40P | 40G | 1456650 | EAMM-A-S48-40G-G2 |
| EMMT-AS-60-..., EMME-AS-60-... EMGA-60-A-G-...-60P | 60H | 1456652 | EAMM-A-S48-60H-G2 |
| With stepper motor | | | |
| EMMS-ST-57-... Third-party motor | 57A | ★ 3637963 | EAMM-A-S48-57A-G2 |
| Third-party motor | 60AA | 8105935 | EAMM-A-S48-60AA |
| EMMS-ST-87-... Third-party motor | 87A | ★ 3637962 | EAMM-A-S48-87A-G2 |
| With stepper motor and gear unit | | | |
| EMMS-ST-42-... EMGA-40-P-G-...-SST-42 | 40G | 1456650 | EAMM-A-S48-40G-G2 |
| EMMS-ST-57-... EMGA-60-P-G-...-SST-57 | 60G | 2256701 | EAMM-A-S48-60G-G2 |
| With integrated drive and gear unit | | | |
| EMCA-EC-67-... EMGC-40 | 40G | 1456650 | EAMM-A-S48-40G-G2 |
| EMCA-EC-67-... EMGC-60-... | 60H | 1456652 | EAMM-A-S48-60H-G2 |
| With third-party gear unit | | | |
| Third-party gear unit | 40G | 1456650 | EAMM-A-S48-40G-G2 |
| Third-party gear unit | 50GA | 8105930 | EAMM-A-S48-50GA |
| Third-party gear unit | 60H | 1456652 | EAMM-A-S48-60H-G2 |

1) The input torque must not exceed the max. permissible transferable torque of the axial kit.

Festo Core Range



Generally ready for shipping ex works in 24 hours

Generally ready for shipping ex works in 5 days

Product range overview

Permissible axis/motor combinations with spindle axis EGC-BS

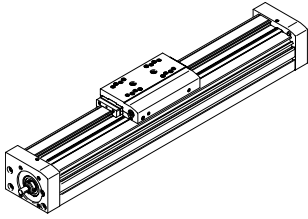


Table of interfaces for third-party motors

→ from page 60

Technical data for axial kits

→ from page 65

| Motor/gear unit ¹⁾ Type | Motor interface | Axial kit | |
|--|-----------------|-----------|--------------------|
| | | Part no. | Type |
| EGC-120-...-BS | | | |
| With servo motor | | | |
| Third-party motor | 70A | 3637959 | EAMM-A-S62-70A-G2 |
| EMMT-AS-80-..., EMME-AS-80-..., third-party motor | 80P | ★ 3637970 | EAMM-A-S62-80P-G2 |
| Third-party motor | 80PB, 80R | 8110208 | EAMM-A-S62-80PB |
| Third-party motor | 82AA | 8110211 | EAMM-A-S62-82AA |
| Third-party motor | 84AA | 8110226 | EAMM-A-S62-84AA |
| EMMT-AS-100-..., EMME-AS-100-..., third-party motor | 100A | ★ 3637960 | EAMM-A-S62-100A-G2 |
| EMMT-AS-150 | 150A | 8157272 | EAMM-A-S62-150A-G2 |
| With servo motor and gear unit | | | |
| EMMT-AS-60-..., EMME-AS-60-... EMGA-60-P-G...-EAS-60 | 60H | 1456654 | EAMM-A-S62-60H-G2 |
| EMMT-AS-80-..., EMME-AS-80-... EMGA-80-P-G...-EAS-80 | 80G | 1972530 | EAMM-A-S62-80G-G2 |
| EMMT-AS-100-..., EMME-AS-100-... EMGA-80-P-G...-SAS-100 | 80G | 1972530 | EAMM-A-S62-80G-G2 |
| With servo motor and right-angle gear unit | | | |
| EMMT-AS-60-..., EMME-AS-60-... EMGA-60-A-G...-60P | 60H | 1456654 | EAMM-A-S62-60H-G2 |
| EMMT-AS-80-..., EMME-AS-80-... EMGA-80-A-G...-80P | 80G | 1972530 | EAMM-A-S62-80G-G2 |
| EMMT-AS-100-..., EMME-AS-100-... EMGA-80-A-G...-100A | 80G | 1972530 | EAMM-A-S62-80G-G2 |

1) The input torque must not exceed the max. permissible transferable torque of the axial kit.



Product range overview

Permissible axis/motor combinations with spindle axis EGC-BS

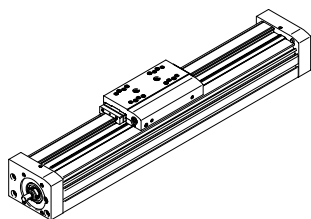


Table of interfaces for third-party motors

→ from page 60

Technical data for axial kits

→ from page 65

| Motor/gear unit ¹⁾ Type | Motor interface | Axial kit | |
|---|-----------------|-----------|--------------------|
| | | Part no. | Type |
| EGC-120-...-BS | | | |
| With stepper motor | | | |
| EMMS-ST-87-... | 87A | ★ 3637966 | EAMM-A-S62-87A-G2 |
| With stepper motor and gear unit | | | |
| EMMS-ST-57-... EMGA-60-P-G-...-SST-57 | 60G | 2297649 | EAMM-A-S62-60G-G2 |
| EMMS-ST-87-... EMGA-80-P-G-...-SST-87 | 80G | 1972530 | EAMM-A-S62-80G-G2 |
| With integrated drive and gear unit | | | |
| EMCA-EC-67-... EMGC-60-... | 60H | 1456654 | EAMM-A-S62-60H-G2 |
| With third-party gear unit | | | |
| Third-party gear unit | 60H | 1456654 | EAMM-A-S62-60H-G2 |
| Third-party gear unit | 70GA | 8110082 | EAMM-A-S62-70GA |
| Third-party gear unit | 80G | 1972530 | EAMM-A-S62-80G-G2 |
| EGC-185-...-BS | | | |
| With servo motor | | | |
| Third-party motor | 84AA | 8107720 | EAMM-A-S95-84AA |
| EMMT-AS-100-..., EMME-AS-100-..., third-party motor | 100A | 3637955 | EAMM-A-S95-100A-G2 |
| EMMT-AS-150 | 150A | 8157279 | EAMM-A-S95-150A-G2 |
| With third-party gear unit | | | |
| Third-party gear unit | 90GA | 8110066 | EAMM-A-S95-90GA |

1) The input torque must not exceed the max. permissible transferable torque of the axial kit.

Festo Core Range



Generally ready for shipping ex works in 24 hours

Generally ready for shipping ex works in 5 days

Product range overview

Permissible axis/motor combinations with toothed belt axis ELGA-TB-...

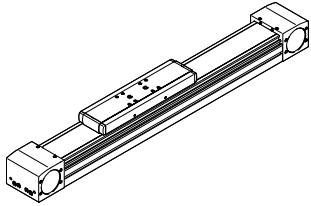


Table of interfaces for third-party motors

→ from page 60

Technical data for axial kits

→ from page 65

| Motor/gear unit ¹⁾ | Motor interface | Axial kit | |
|---|-----------------|-----------|-----------------|
| | | Part no. | Type |
| ELGA-TB-...-70 | | | |
| With servo motor | | | |
| Third-party motor | 60PA | 8063574 | EAMM-A-N38-60PA |
| Third-party gear unit | 60RA | 8063575 | EAMM-A-N38-60RA |
| Third-party motor | 70A | 1202331 | EAMM-A-N38-70A |
| Third-party motor | 70AA, 70AB | 8063576 | EAMM-A-N38-70AA |
| Third-party motor | 88A | 8063579 | EAMM-A-N38-88A |
| Third-party motor | 90R | 8063580 | EAMM-A-N38-90R |
| Third-party motor | 92RA | 8063581 | EAMM-A-N38-92RA |
| With servo motor and gear unit | | | |
| EMME-AS-40-... EMGA-40-P-G...-EAS-40 | 40G | 8063583 | EAMM-A-N38-40G |
| EMMT-AS-60-..., EMME-AS-60-... EMGA-60-P-G...-EAS-60 | 60H | 1456616 | EAMM-A-N38-60H |
| With servo motor and right-angle gear unit | | | |
| EMME-AS-40-... EMGA-40-A-G...-40P | 40G | 8063583 | EAMM-A-N38-40G |
| EMMT-AS-60-..., EMME-AS-60-... EMGA-60-A-G...-60P | 60H | 1456616 | EAMM-A-N38-60H |
| With stepper motor | | | |
| EMMS-ST-87-... | 87A | ☆ 3324111 | EAMM-A-N38-87A |
| With stepper motor and gear unit | | | |
| EMMS-ST-57-... EMGA-60-P-G...-SST-57 | 60G | ☆ 1202253 | EAMM-A-N38-60G |
| With integrated drive and gear unit | | | |
| EMCA-EC-67-... EMGC-60-... | 60H | 1456616 | EAMM-A-N38-60H |
| With third-party gear unit | | | |
| Third-party gear unit | 40G | 8063583 | EAMM-A-N38-40G |
| Third-party gear unit | 50GA | 8063584 | EAMM-A-N38-50GA |
| Third-party gear unit | 56GA | 8063585 | EAMM-A-N38-56GA |
| Third-party gear unit | 60H | 1456616 | EAMM-A-N38-60H |
| Third-party gear unit | 68GA | 8063587 | EAMM-A-N38-68GA |
| Third-party gear unit | 70GA | 8063586 | EAMM-A-N38-70GA |
| Third-party gear unit | 72GA | 8063588 | EAMM-A-N38-72GA |

1) The input torque must not exceed the max. permissible transferable torque of the axial kit.



Product range overview

Permissible axis/motor combinations with toothed belt axis ELGA-TB-...

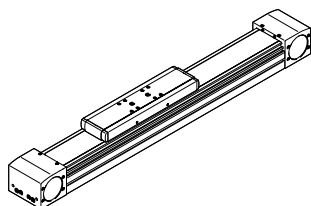


Table of interfaces for third-party motors

→ from page 60

Technical data for axial kits

→ from page 65

| Motor/gear unit ¹⁾ Type | Motor interface | Axial kit | |
|--|-----------------|-----------|-----------------|
| | | Part no. | Type |
| ELGA-TB-...-80 | | | |
| With servo motor | | | |
| Third-party motor | 60PA | 8063590 | EAMM-A-N48-60PA |
| Third-party motor | 70AA | 8063591 | EAMM-A-N48-70AA |
| EMMT-AS-80-..., EMME-AS-80-..., third-party motor | 80P | 8063592 | EAMM-A-N48-80P |
| Third-party motor | 80PB | 8107714 | EAMM-A-N48-80PB |
| Third-party motor | 84AA | 8063594 | EAMM-A-N48-84AA |
| Third-party motor | 88A | 8063593 | EAMM-A-N48-88A |
| EMMT-AS-100-..., EMME-AS-100-..., third-party motor | 100A | 1201894 | EAMM-A-N48-100A |
| With servo motor and gear unit | | | |
| EMMT-AS-60-..., EMME-AS-60-... EMGA-60-P-G...-EAS-60 | 60H | 1456618 | EAMM-A-N48-60H |
| EMMT-AS-80-..., EMME-AS-80-... EMGA-80-P-G...-EAS-80 | 80G | ★ 1258793 | EAMM-A-N48-80G |
| EMMT-AS-100-..., EMME-AS-100-... EMGA-80-P-G...-SAS-100 | 80G | ★ 1258793 | EAMM-A-N48-80G |
| With servo motor and right-angle gear unit | | | |
| EMMT-AS-60-..., EMME-AS-60-... EMGA-60-A-G...-60P | 60H | 1456618 | EAMM-A-N48-60H |
| EMMT-AS-80-..., EMME-AS-80-... EMGA-80-A-G...-80P | 80G | ★ 1258793 | EAMM-A-N48-80G |
| EMMT-AS-100-..., EMME-AS-100-... EMGA-80-A-G...-100A | 80G | ★ 1258793 | EAMM-A-N48-80G |

1) The input torque must not exceed the max. permissible transferable torque of the axial kit.

Festo Core Range



Generally ready for shipping ex works in 24 hours

Generally ready for shipping ex works in 5 days

Product range overview

Permissible axis/motor combinations with toothed belt axis ELGA-TB-...

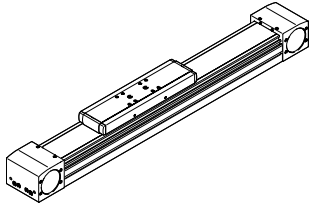


Table of interfaces for third-party motors

→ from page 60

Technical data for axial kits

→ from page 65

| Motor/gear unit ¹⁾ Type | Motor interface | Axial kit | |
|--|-----------------|-----------|------------------|
| | | Part no. | Type |
| ELGA-TB-...-80 | | | |
| With stepper motor and gear unit | | | |
| EMMS-ST-57-... EMGA-60-P-G...-SST-57 | 60G | ★ 1972527 | EAMM-A-N48-60G |
| EMMS-ST-87-... EMGA-80-P-G...-SST-87 | 80G | ★ 1258793 | EAMM-A-N48-80G |
| With integrated drive and gear unit | | | |
| EMCA-EC-67-... EMGC-60-... | 60H | 1456618 | EAMM-A-N48-60H |
| With third-party gear unit | | | |
| Third-party gear unit | 50GA | 8063595 | EAMM-A-N48-50GA |
| Third-party gear unit | 56GA | 8063596 | EAMM-A-N48-56GA |
| Third-party gear unit | 60H | 1456618 | EAMM-A-N48-60H |
| Third-party gear unit | 68GA | 8063600 | EAMM-A-N48-68GA |
| Third-party gear unit | 70GA | 8063597 | EAMM-A-N48-70GA |
| Third-party gear unit | 72GA | 8063601 | EAMM-A-N48-72GA |
| Third-party gear unit | 75GA | 8063598 | EAMM-A-N48-75GA |
| Third-party gear unit | 80G | ★ 1258793 | EAMM-A-N48-80G |
| Third-party gear unit | 90GA | 8063603 | EAMM-A-N48-90GA |
| Third-party gear unit | 90GB | 8063602 | EAMM-A-N48-90GB |
| Third-party gear unit | 120GA | 8063605 | EAMM-A-N48-120GA |

1) The input torque must not exceed the max. permissible transferable torque of the axial kit.



Product range overview

Permissible axis/motor combinations with toothed belt axis ELGA-TB-...

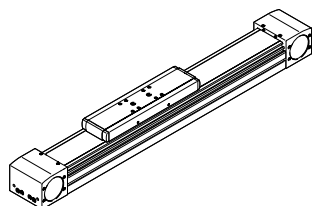


Table of interfaces for third-party motors

→ from page 60

Technical data for axial kits

→ from page 65

| Motor/gear unit ¹⁾ Type | Motor interface | Axial kit | |
|---|-----------------|-----------|------------------|
| | | Part no. | Type |
| ELGA-TB-...-120 | | | |
| With servo motor | | | |
| Third-party motor | 84AA | 8063606 | EAMM-A-N80-84AA |
| Third-party motor | 100A | 8063607 | EAMM-A-N80-100A |
| EMMT-AS-150-... | 150A | 8157277 | EAMM-A-N80-150A |
| With servo motor and gear unit | | | |
| EMMT-AS-80-..., EMME-AS-80-... EMGA-80-P-G...-EAS-80 | 80G | ★ 2372096 | EAMM-A-N80-80G |
| EMMT-AS-100-..., EMME-AS-100-... EMGA-80-P-G...-SAS-100 | 80G | ★ 2372096 | EAMM-A-N80-80G |
| EMMT-AS-100-..., EMME-AS-100-... EMGA-120-P-G...-SAS-100 | 120G | ★ 1201695 | EAMM-A-N80-120G |
| EMMS-AS-140-... EMGA-120-P-G...-SAS-140 | 120G | ★ 1201695 | EAMM-A-N80-120G |
| With servo motor and right-angle gear unit | | | |
| EMMT-AS-80-..., EMME-AS-80-... EMGA-80-A-G...-80P | 80G | ★ 2372096 | EAMM-A-N80-80G |
| EMMT-AS-100-..., EMME-AS-100-... EMGA-80-A-G...-100A | 80G | ★ 2372096 | EAMM-A-N80-80G |
| With stepper motor and gear unit | | | |
| EMMS-ST-87-... EMGA-80-P-G...-SST-87 | 80G | ★ 2372096 | EAMM-A-N80-80G |
| With third-party gear unit | | | |
| Third-party gear unit | 68GA | 8063611 | EAMM-A-N80-68GA |
| Third-party gear unit | 70GA | 8063608 | EAMM-A-N80-70GA |
| Third-party gear unit | 72GA | 8063612 | EAMM-A-N80-72GA |
| Third-party gear unit | 75GA | 8063609 | EAMM-A-N80-75GA |
| Third-party gear unit | 80G | ★ 2372096 | EAMM-A-N80-80G |
| Third-party gear unit | 90GA | 8063614 | EAMM-A-N80-90GA |
| Third-party gear unit | 90GB | 8063613 | EAMM-A-N80-90GB |
| Third-party gear unit | 115GA | 8063615 | EAMM-A-N80-115GA |
| Third-party gear unit | 120GA | 8063617 | EAMM-A-N80-120GA |
| Third-party gear unit | 120GB | 8063618 | EAMM-A-N80-120GB |
| Third-party gear unit | 120GC | 8063619 | EAMM-A-N80-120GC |

1) The input torque must not exceed the max. permissible transferable torque of the axial kit.

Festo Core Range



Generally ready for shipping ex works in 24 hours

Generally ready for shipping ex works in 5 days

Product range overview

Permissible axis/motor combinations with toothed belt axis ELGA-TB-...

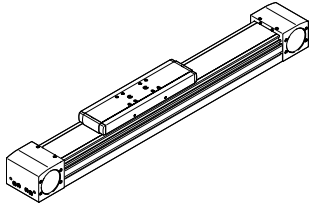


Table of interfaces for third-party motors

→ from page 60

Technical data for axial kits

→ from page 65

| Motor/gear unit ¹⁾ Type | Motor interface | Axial kit | |
|---|-----------------|-----------|--------------------|
| | | Part no. | Type |
| ELGA-TB-...-150 | | | |
| With servo motor | | | |
| EMMT-AS-150-... | 150A | 8157280 | EAMM-A-L95-150A-G2 |
| EMMS-AS-190-... | 190A | 3659562 | EAMM-A-L95-190A-G2 |
| EMMT-AS-190-... | 190B | 8157282 | EAMM-A-L95-190B-G2 |
| With servo motor and gear unit | | | |
| EMMT-AS-80-..., EMME-AS-80-... EMGA-80-P-G...-EAS-80 | 80G | 3660191 | EAMM-A-L95-80G-G2 |
| EMMT-AS-100-..., EMME-AS-100-... EMGA-80-P-G...-SAS-100 | 80G | 3660191 | EAMM-A-L95-80G-G2 |
| EMMT-AS-100-..., EMME-AS-100-... EMGA-120-P-G...-SAS-100 | 120G | ★ 3659941 | EAMM-A-L95-120G-G2 |
| EMMS-AS-140-... EMGA-120-P-G...-SAS-140 | 120G | ★ 3659941 | EAMM-A-L95-120G-G2 |
| With servo motor and right-angle gear unit | | | |
| EMMT-AS-80-..., EMME-AS-80-... EMGA-80-A-G...-80P | 80G | 3660191 | EAMM-A-L95-80G-G2 |
| EMMT-AS-100-..., EMME-AS-100-... EMGA-80-A-G...-100A | 80G | 3660191 | EAMM-A-L95-80G-G2 |
| With third-party gear unit | | | |
| Third-party gear unit | 68GA | 8063524 | EAMM-A-L95-68GA |
| Third-party gear unit | 72GA | 8063525 | EAMM-A-L95-72GA |
| Third-party gear unit | 75GA | 8063522 | EAMM-A-L95-75GA |
| Third-party gear unit | 80G | 3660191 | EAMM-A-L95-80G-G2 |
| Third-party gear unit | 90GA | 8063526 | EAMM-A-L95-90GA |
| Third-party gear unit | 115GA | 8063527 | EAMM-A-L95-115GA |
| Third-party gear unit | 120G | ★ 3659941 | EAMM-A-L95-120G-G2 |
| Third-party gear unit | 120GA | 8063529 | EAMM-A-L95-120GA |
| Third-party gear unit | 120GB | 8063530 | EAMM-A-L95-120GB |
| Third-party gear unit | 120GC | 8063531 | EAMM-A-L95-120GC |
| Third-party gear unit | 160G | 8063532 | EAMM-A-L95-160G |

1) The input torque must not exceed the max. permissible transferable torque of the axial kit.



Product range overview

Permissible axis/motor combinations with spindle axis ELGA-BS-...

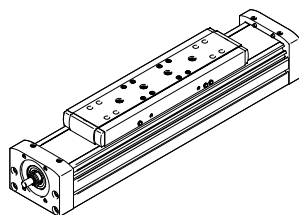


Table of interfaces for third-party motors

→ from page 60

Technical data for axial kits

→ from page 65

| Motor/gear unit ¹⁾ Type | Motor interface | Axial kit | |
|---|-----------------|-----------|-------------------|
| | | Part no. | Type |
| ELGA-BS-...-70 | | | |
| With servo motor | | | |
| EMME-AS-40-... | 40P | ★ 3637972 | EAMM-A-S38-40P-G2 |
| Third-party motor | 40A | 3637971 | EAMM-A-S38-40A-G2 |
| Third-party motor | 55A | 3637967 | EAMM-A-S38-55A-G2 |
| Third-party motor | 58AA | 8105927 | EAMM-A-S38-58AA |
| EMMT-AS-60-..., EMME-AS-60-..., third-party motor | 60P | ★ 3637958 | EAMM-A-S38-60P-G2 |
| Third-party motor | 60R | 8105923 | EAMM-A-S38-60R |
| Third-party motor | 60RA | 8105924 | EAMM-A-S38-60RA |
| With servo motor and gear unit | | | |
| EMME-AS-40-... EMGA-40-P-G-...-EAS-40 | 40G | 1456647 | EAMM-A-S38-40G-G2 |
| With servo motor and right-angle gear unit | | | |
| EMME-AS-40-... EMGA-40-A-G-...-40P | 40G | 1456647 | EAMM-A-S38-40G-G2 |
| With stepper motor | | | |
| EMMS-ST-42-..., third-party motor | 42A | ★ 3637965 | EAMM-A-S38-42A-G2 |
| EMMS-ST-57-... | 57A | ★ 3637956 | EAMM-A-S38-57A-G2 |
| Third-party motor | 60AA | 8105926 | EAMM-A-S38-60AA |
| With stepper motor and gear unit | | | |
| EMMS-ST-42-... EMGA-40-P-G-...-SST-42 | 40G | 1456647 | EAMM-A-S38-40G-G2 |
| With integrated drive | | | |
| EMCA-EC-67-... | 67A | 1456638 | EAMM-A-S38-67A-G2 |
| With integrated drive and gear unit | | | |
| EMCA-EC-67-... EMGC-40-... | 40G | 1456647 | EAMM-A-S38-40G-G2 |
| With third-party gear unit | | | |
| Third-party gear unit | 40G | 1456647 | EAMM-A-S38-40G-G2 |
| Third-party gear unit | 50GA | 8105922 | EAMM-A-S38-50GA |

1) The input torque must not exceed the max. permissible transferable torque of the axial kit.

Festo Core Range



Generally ready for shipping ex works in 24 hours

Generally ready for shipping ex works in 5 days

Product range overview

Permissible axis/motor combinations with spindle axis ELGA-BS-...

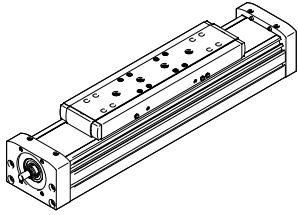


Table of interfaces for third-party motors

→ from page 60

Technical data for axial kits

→ from page 65

| Motor/gear unit ¹⁾ | Motor interface | Axial kit | |
|--|-----------------|-----------|-------------------|
| | | Part no. | Type |
| ELGA-BS-...-80 | | | |
| With servo motor | | | |
| Third-party motor | 55A | 3637961 | EAMM-A-S48-55A-G2 |
| Third-party motor | 58AA | 8105933 | EAMM-A-S48-58AA |
| EMMT-AS-60-..., EMME-AS-60-..., third-party motor | 60P | ★ 3637964 | EAMM-A-S48-60P-G2 |
| Third-party motor | 60R | 8105939 | EAMM-A-S48-60R |
| Third-party motor | 60RA | 8105941 | EAMM-A-S48-60RA |
| Third-party motor | 70A | 3637957 | EAMM-A-S48-70A-G2 |
| Third-party motor | 70AA, 70AB | 8105942 | EAMM-A-S48-70AA |
| With servo motor and gear unit | | | |
| EMME-AS-40-... EMGA-40-P-G-...-EAS-40 | 40G | 1456650 | EAMM-A-S48-40G-G2 |
| EMMT-AS-60-..., EMME-AS-60-... EMGA-60-P-G-...-EAS-60 | 60H | 1456652 | EAMM-A-S48-60H-G2 |
| With servo motor and right-angle gear unit | | | |
| EMME-AS-40-... EMGA-40-A-G-...-40P | 40G | 1456650 | EAMM-A-S48-40G-G2 |
| EMMT-AS-60-..., EMME-AS-60-... EMGA-60-A-G-...-60P | 60H | 1456652 | EAMM-A-S48-60H-G2 |
| With stepper motor | | | |
| EMMS-ST-57-... | 57A | ★ 3637963 | EAMM-A-S48-57A-G2 |
| Third-party motor | 60AA | 8105935 | EAMM-A-S48-60AA |
| EMMS-ST-87-... | 87A | ★ 3637962 | EAMM-A-S48-87A-G2 |
| With stepper motor and gear unit | | | |
| EMMS-ST-42-... EMGA-40-P-G-...-SST-42 | 40G | 1456650 | EAMM-A-S48-40G-G2 |
| EMMS-ST-57-... EMGA-60-P-G-...-SST-57 | 60G | 2256701 | EAMM-A-S48-60G-G2 |
| With integrated drive and gear unit | | | |
| EMCA-EC-67-... EMGC-40 | 40G | 1456650 | EAMM-A-S48-40G-G2 |
| EMCA-EC-67-... EMGC-60-... | 60H | 1456652 | EAMM-A-S48-60H-G2 |
| With third-party gear unit | | | |
| Third-party gear unit | 40G | 1456650 | EAMM-A-S48-40G-G2 |
| Third-party gear unit | 50GA | 8105930 | EAMM-A-S48-50GA |
| Third-party gear unit | 60H | 1456652 | EAMM-A-S48-60H-G2 |

1) The input torque must not exceed the max. permissible transferable torque of the axial kit.



Product range overview

Permissible axis/motor combinations with spindle axis ELGA-BS-...

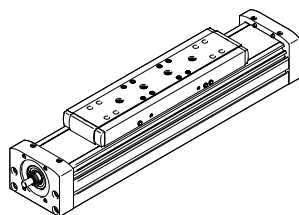


Table of interfaces for third-party motors

→ from page 60

Technical data for axial kits

→ from page 65

| Motor/gear unit ¹⁾ Type | Motor interface | Axial kit | |
|--|-----------------|-----------|--------------------|
| | | Part no. | Type |
| ELGA-BS-...-120 | | | |
| With servo motor | | | |
| Third-party motor | 70A | 3637959 | EAMM-A-S62-70A-G2 |
| EMMT-AS-80-..., EMME-AS-80-..., third-party motor | 80P | ★ 3637970 | EAMM-A-S62-80P-G2 |
| Third-party motor | 80PB, 80R | 8110208 | EAMM-A-S62-80PB |
| Third-party motor | 82AA | 8110211 | EAMM-A-S62-82AA |
| Third-party motor | 84AA | 8110226 | EAMM-A-S62-84AA |
| EMMT-AS-100-..., EMME-AS-100-..., third-party motor | 100A | ★ 3637960 | EAMM-A-S62-100A-G2 |
| EMMT-AS-150-... | 150A | 8157272 | EAMM-A-S62-150A-G2 |
| With servo motor and gear unit | | | |
| EMMT-AS-60-..., EMME-AS-60-... EMGA-60-P-G...-EAS-60 | 60H | 1456654 | EAMM-A-S62-60H-G2 |
| EMMT-AS-80-..., EMME-AS-80-... EMGA-80-P-G...-EAS-80 | 80G | 1972530 | EAMM-A-S62-80G-G2 |
| EMMT-AS-100-..., EMME-AS-100-... EMGA-80-P-G...-SAS-100 | 80G | 1972530 | EAMM-A-S62-80G-G2 |
| With servo motor and right-angle gear unit | | | |
| EMMT-AS-60-..., EMME-AS-60-... EMGA-60-A-G...-60P | 60H | 1456654 | EAMM-A-S62-60H-G2 |
| EMMT-AS-80-..., EMME-AS-80-... EMGA-80-A-G...-80P | 80G | 1972530 | EAMM-A-S62-80G-G2 |
| EMMT-AS-100-..., EMME-AS-100-... EMGA-80-A-G...-100A | 80G | 1972530 | EAMM-A-S62-80G-G2 |

1) The input torque must not exceed the max. permissible transferable torque of the axial kit.

Festo Core Range



Generally ready for shipping ex works in 24 hours

Generally ready for shipping ex works in 5 days

Product range overview

Permissible axis/motor combinations with spindle axis ELGA-BS-...

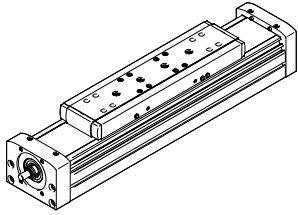


Table of interfaces for third-party motors

→ from page 60

Technical data for axial kits

→ from page 65

| Motor/gear unit ¹⁾ Type | Motor interface | Axial kit | |
|---|-----------------|-----------|--------------------|
| | | Part no. | Type |
| ELGA-BS-...-120 | | | |
| With stepper motor | | | |
| EMMS-ST-87-... | 87A | ★ 3637966 | EAMM-A-S62-87A-G2 |
| With stepper motor and gear unit | | | |
| EMMS-ST-57-... EMGA-60-P-G-...-SST-57 | 60G | 2297649 | EAMM-A-S62-60G-G2 |
| EMMS-ST-87-... EMGA-80-P-G-...-SST-87 | 80G | 1972530 | EAMM-A-S62-80G-G2 |
| With integrated drive and gear unit | | | |
| EMCA-EC-67-... EMGC-60-... | 60H | 1456654 | EAMM-A-S62-60H-G2 |
| With third-party gear unit | | | |
| Third-party gear unit | 60H | 1456654 | EAMM-A-S62-60H-G2 |
| Third-party gear unit | 70GA | 8110082 | EAMM-A-S62-70GA |
| Third-party gear unit | 80G | 1972530 | EAMM-A-S62-80G-G2 |
| ELGA-BS-...-150 | | | |
| With servo motor | | | |
| Third-party motor | 84AA | 8107720 | EAMM-A-S95-84AA |
| EMMT-AS-100-..., EMME-AS-100-..., third-party motor | 100A | 3637955 | EAMM-A-S95-100A-G2 |
| EMMT-AS-150-... | 150A | 8157279 | EAMM-A-S95-150A-G2 |
| With third-party gear unit | | | |
| Third-party gear unit | 90GA | 8110066 | EAMM-A-S95-90GA |

1) The input torque must not exceed the max. permissible transferable torque of the axial kit.



Product range overview

Permissible axis/motor combinations with spindle axis ELGT-BS-...

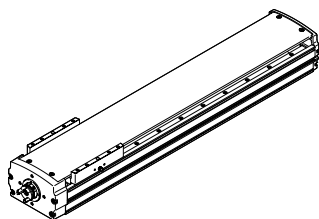


Table of interfaces for third-party motors

→ from page 60

Technical data for axial kits

→ from page 65

| Motor ¹⁾ Type | Motor interface | Axial kit | |
|---|-----------------|-----------|-----------------|
| | | Part no. | Type |
| ELGT-BS-...-90/-120/-160 | | | |
| With servo motor | | | |
| EMMT-AS-60-..., EMME-AS-60-..., third-party motor | 60P, 60PA | 4824833 | EAMM-A-T46-60P |
| Third-party motor | 60R | 8126174 | EAMM-A-T46-60R |
| Third-party motor | 60RA | 8126174 | EAMM-A-T46-60RA |
| Third-party motor | 70A | 8092674 | EAMM-A-T46-70A |
| Third-party motor | 70AA, 70AB | 8096057 | EAMM-A-T46-70AA |
| EMMT-AS-80-..., EMME-AS-80-..., third-party motor | 80P | 4624170 | EAMM-A-T46-80P |
| Third-party motor | 80PA, 80RA | 8091047 | EAMM-A-T46-80PA |
| Third-party motor | 80PB, 80R | 8096175 | EAMM-A-T46-80PB |
| EMMT-AS-100-..., EMME-AS-100-..., third-party motor | 100A | 4624227 | EAMM-A-T46-100A |
| With stepper motor | | | |
| Third-party motor | 85AA | 8096186 | EAMM-A-T46-85AA |
| EMMS-ST-57-... | 57A | 8169409 | EAMM-A-T46-57A |
| EMMS-ST-87-... | 87A | 4048771 | EAMM-A-T46-87A |
| With integrated drive | | | |
| EMCA-EC-67-... | 67A | 8084495 | EAMM-A-T46-67A |

1) The input torque must not exceed the max. permissible transferable torque of the axial kit.

Product range overview

Permissible axis/motor combinations with toothed belt axis ELGC-TB-...

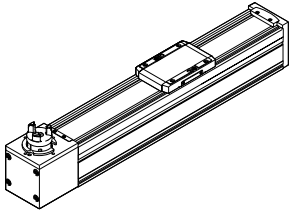


Table of interfaces for third-party motors

→ from page 60

Technical data for axial kits

→ from page 65

| Motor ¹⁾ Type | Motor interface | Axial kit | |
|--|-----------------|-----------|-----------------|
| | | Part no. | Type |
| ELGC-TB-...-45 | | | |
| With servo motor | | | |
| Third-party motor | 38AA | 8093023 | EAMM-A-V32-38AA |
| EMME-AS-40-... | 40P | 4595742 | EAMM-A-V32-40P |
| Third-party motor | 40R | 8087090 | EAMM-A-V32-40R |
| Third-party motor | 40RA | 8094180 | EAMM-A-V32-40RA |
| Third-party motor | 58AA | 8098982 | EAMM-A-V32-58AA |
| EMMT-AS-60-..., EMME-AS-60-..., third-party motor | 60P | 4608750 | EAMM-A-V32-60P |
| Third-party motor | 60PA | 8091053 | EAMM-A-V32-60PA |
| Third-party motor | 60RA | 8093041 | EAMM-A-V32-60RA |
| With stepper motor | | | |
| EMMS-ST-42-..., third-party motor | 42A | 4281142 | EAMM-A-V32-42A |
| Third-party motor | 42AB | 8094200 | EAMM-A-V32-42AB |
| EMMS-ST-57-... | 57A | 4597016 | EAMM-A-V32-57A |
| Third-party motor | 60AA | 8092271 | EAMM-A-V32-60AA |
| ELGC-TB-...-60 | | | |
| With servo motor | | | |
| Third-party motor | 55A | 8082614 | EAMM-A-T42-55A |
| Third-party motor | 58AA | 8094935 | EAMM-A-T42-58AA |
| EMMT-AS-60-..., EMME-AS-60-..., third-party motor | 60P, 60PA | 4133487 | EAMM-A-T42-60P |
| Third-party motor | 60R | 8093289 | EAMM-A-T42-60R |
| Third-party motor | 60RA | 8092264 | EAMM-A-T42-60RA |
| EMMT-AS-80-..., EMME-AS-80-... | 80P | 4623788 | EAMM-A-T42-80P |
| With stepper motor | | | |
| EMMS-ST-57-... | 57A | 4327034 | EAMM-A-T42-57A |
| Third-party motor | 60AA | 8092255 | EAMM-A-T42-60AA |
| Third-party motor | 60AB | 8094949 | EAMM-A-T42-60AB |
| EMMS-ST-87-... | 87A | 4610008 | EAMM-A-T42-87A |
| With integrated drive | | | |
| EMCA-EC-67-... | 67A | 8084497 | EAMM-A-T42-67A |
| With integrated drive and right-angle gear unit | | | |
| EMCA-EC-67-... EMGC-67-A-G1-SEC-67 | 67A | 8084497 | EAMM-A-T42-67A |

1) The input torque must not exceed the max. permissible transferable torque of the axial kit.

Product range overview

Permissible axis/motor combinations with toothed belt axis ELGC-TB-...

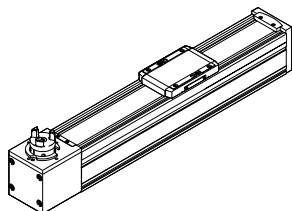


Table of interfaces for third-party motors

→ from page 60

Technical data for axial kits

→ from page 65

| Motor ¹⁾ Type | Motor interface | Axial kit | |
|---|-----------------|-----------|-----------------|
| | | Part no. | Type |
| ELGC-TB-...-80 | | | |
| With servo motor | | | |
| EMMT-AS-60-..., EMME-AS-60-..., third-party motor | 60P, 60PA | 4824833 | EAMM-A-T46-60P |
| Third-party motor | 60R | 8126174 | EAMM-A-T46-60R |
| Third-party motor | 60RA | 8126174 | EAMM-A-T46-60RA |
| Third-party motor | 70A | 8092674 | EAMM-A-T46-70A |
| Third-party motor | 70AA, 70AB | 8096057 | EAMM-A-T46-70AA |
| EMMT-AS-80-..., EMME-AS-80-..., third-party motor | 80P | 4624170 | EAMM-A-T46-80P |
| Third-party motor | 80PA, 80RA | 8091047 | EAMM-A-T46-80PA |
| Third-party motor | 80PB, 80R | 8096175 | EAMM-A-T46-80PB |
| EMMT-AS-100-..., EMME-AS-100-..., third-party motor | 100A | 4624227 | EAMM-A-T46-100A |
| With stepper motor | | | |
| Third-party motor | 85AA | 8096186 | EAMM-A-T46-85AA |
| EMMS-ST-57-... | 57A | 8169409 | EAMM-A-T46-57A |
| EMMS-ST-87-... | 87A | 4048771 | EAMM-A-T46-87A |
| With integrated drive | | | |
| EMCA-EC-67-... | 67A | 8084495 | EAMM-A-T46-67A |

1) The input torque must not exceed the max. permissible transferable torque of the axial kit.

Product range overview

Permissible axis/motor combinations with spindle axis ELGC-BS-...

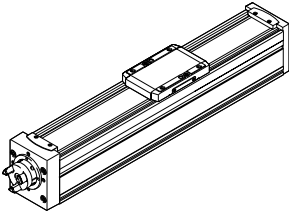


Table of interfaces for third-party motors

→ from page 60

Technical data for axial kits

→ from page 65

| Motor ¹⁾ Type | Motor interface | Axial kit | |
|--|-----------------|-----------|-----------------|
| | | Part no. | Type |
| ELGC-BS-...-32 | | | |
| With servo motor | | | |
| Third-party motor | 38AA | 8093162 | EAMM-A-V25-38AA |
| EMME-AS-40-..., third-party motor | 40P | 4491059 | EAMM-A-V25-40P |
| Third-party motor | 40R | 8087062 | EAMM-A-V25-40R |
| Third-party motor | 40RA | 8094100 | EAMM-A-V25-40RA |
| With stepper motor | | | |
| Third-party motor | 35A | 8093255 | EAMM-A-V25-35A |
| EMMS-ST-42-..., third-party motor | 42A | 4582608 | EAMM-A-V25-42A |
| Third-party motor | 42AB | 8094108 | EAMM-A-V25-42AB |
| ELGC-BS-...-45 | | | |
| With servo motor | | | |
| Third-party motor | 38AA | 8093023 | EAMM-A-V32-38AA |
| EMME-AS-40-... | 40P | 4595742 | EAMM-A-V32-40P |
| Third-party motor | 40R | 8087090 | EAMM-A-V32-40R |
| Third-party motor | 40RA | 8094180 | EAMM-A-V32-40RA |
| Third-party motor | 58AA | 8098982 | EAMM-A-V32-58AA |
| EMMT-AS-60-..., EMME-AS-60-..., third-party motor | 60P | 4608750 | EAMM-A-V32-60P |
| Third-party motor | 60PA | 8091053 | EAMM-A-V32-60PA |
| Third-party motor | 60RA | 8093041 | EAMM-A-V32-60RA |
| With stepper motor | | | |
| EMMS-ST-42-..., third-party motor | 42A | 4281142 | EAMM-A-V32-42A |
| Third-party motor | 42AB | 8094200 | EAMM-A-V32-42AB |
| EMMS-ST-57-... | 57A | 4597016 | EAMM-A-V32-57A |
| Third-party motor | 60AA | 8092271 | EAMM-A-V32-60AA |
| ELGC-BS-...-60 | | | |
| With servo motor | | | |
| Third-party motor | 55A | 8082614 | EAMM-A-T42-55A |
| Third-party motor | 58AA | 8094935 | EAMM-A-T42-58AA |
| EMMT-AS-60-..., EMME-AS-60-..., third-party motor | 60P, 60PA | 4133487 | EAMM-A-T42-60P |
| Third-party motor | 60R | 8093289 | EAMM-A-T42-60R |
| Third-party motor | 60RA | 8092264 | EAMM-A-T42-60RA |
| EMMT-AS-80-..., EMME-AS-80-..., third-party motor | 80P | 4623788 | EAMM-A-T42-80P |
| With stepper motor | | | |
| EMMS-ST-57-... | 57A | 4327034 | EAMM-A-T42-57A |
| Third-party motor | 60AA | 8092255 | EAMM-A-T42-60AA |
| Third-party motor | 60AB | 8094949 | EAMM-A-T42-60AB |
| EMMS-ST-87-... | 87A | 4610008 | EAMM-A-T42-87A |
| With integrated drive | | | |
| EMCA-EC-67-... | 67A | 8084497 | EAMM-A-T42-67A |
| With integrated drive and right-angle gear unit | | | |
| EMCA-EC-67-... EMGC-67-A-G1-SEC-67 | 67A | 8084497 | EAMM-A-T42-67A |

1) The input torque must not exceed the max. permissible transferable torque of the axial kit.

Product range overview

Permissible axis/motor combinations with spindle axis ELGC-BS-...

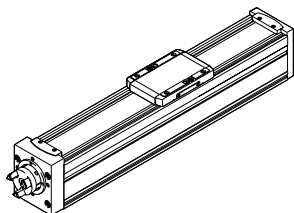


Table of interfaces for third-party motors

→ from page 60

Technical data for axial kits

→ from page 65

| Motor ¹⁾ Type | Motor interface | Axial kit | |
|---|-----------------|-----------|-----------------|
| | | Part no. | Type |
| ELGC-BS-...-80 | | | |
| With servo motor | | | |
| EMMT-AS-60-..., EMME-AS-60-..., third-party motor | 60P, 60PA | 4824833 | EAMM-A-T46-60P |
| Third-party motor | 60R | 8126174 | EAMM-A-T46-60R |
| Third-party motor | 60RA | 8126174 | EAMM-A-T46-60RA |
| Third-party motor | 70A | 8092674 | EAMM-A-T46-70A |
| Third-party motor | 70AA, 70AB | 8096057 | EAMM-A-T46-70AA |
| EMMT-AS-80-..., EMME-AS-80-..., third-party motor | 80P | 4624170 | EAMM-A-T46-80P |
| Third-party motor | 80PA, 80RA | 8091047 | EAMM-A-T46-80PA |
| Third-party motor | 80PB, 80R | 8096175 | EAMM-A-T46-80PB |
| EMMT-AS-100-..., EMME-AS-100-..., third-party motor | 100A | 4624227 | EAMM-A-T46-100A |
| With stepper motor | | | |
| Third-party motor | 85AA | 8096186 | EAMM-A-T46-85AA |
| EMMS-ST-57-... | 57A | 8169409 | EAMM-A-T46-57A |
| EMMS-ST-87-... | 87A | 4048771 | EAMM-A-T46-87A |
| With integrated drive | | | |
| EMCA-EC-67-... | 67A | 8084495 | EAMM-A-T46-67A |

1) The input torque must not exceed the max. permissible transferable torque of the axial kit.

Product range overview

Permissible axis/motor combinations with toothed belt axis EGC-HD-TB

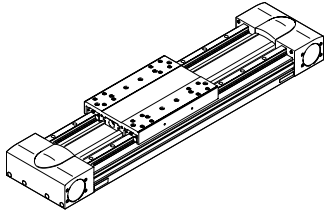


Table of interfaces for third-party motors

→ from page 60

Technical data for axial kits

→ from page 65

| Motor/gear unit ¹⁾ Type | Motor interface | Axial kit | |
|---|-----------------|-----------|-----------------|
| | | Part no. | Type |
| EGC-HD-125-...-TB | | | |
| With servo motor | | | |
| Third-party motor | 55A | 8063533 | EAMM-A-M43-55A |
| Third-party motor | 70A | 8063534 | EAMM-A-M43-70A |
| Third-party motor | 70AA, 70AB | 8063535 | EAMM-A-M43-70AA |
| Third-party motor | 90R | 8063537 | EAMM-A-M43-90R |
| Third-party motor | 92RA | 8063538 | EAMM-A-M43-92RA |
| With servo motor and gear unit | | | |
| EMME-AS-40-... EMGA-40-P-G...-EAS-40 | 40G | 8063539 | EAMM-A-M43-40G |
| EMMT-AS-60-..., EMME-AS-60-... EMGA-60-P-G...-EAS-60 | 60H | 1456612 | EAMM-A-M43-60H |
| With servo motor and right-angle gear unit | | | |
| EMME-AS-40-... EMGA-40-A-G...-40P | 40P | 8063539 | EAMM-A-M43-40P |
| EMMT-AS-60-..., EMME-AS-60-... EMGA-60-A-G...-60P | 60H | 1456612 | EAMM-A-M43-60H |
| With stepper motor and gear unit | | | |
| EMMS-ST-57-... EMGA-60-P-G...-SST-57 | 60G | 1190076 | EAMM-A-M43-60G |
| With integrated drive and gear unit | | | |
| EMCA-EC-67-... EMGC-60-... | 60H | 1456612 | EAMM-A-M43-60H |
| With third-party gear unit | | | |
| Third-party gear unit | 40G | 8063539 | EAMM-A-M43-40G |
| Third-party gear unit | 50GA | 8063540 | EAMM-A-M43-50GA |
| Third-party gear unit | 56GA | 8063541 | EAMM-A-M43-56GA |
| Third-party gear unit | 60H | 1456612 | EAMM-A-M43-60H |
| Third-party gear unit | 68GA | 8063544 | EAMM-A-M43-68GA |
| Third-party gear unit | 70GA | 8063542 | EAMM-A-M43-70GA |
| Third-party gear unit | 72GA | 8063545 | EAMM-A-M43-72GA |

1) The input torque must not exceed the max. permissible transferable torque of the axial kit.

Product range overview

Permissible axis/motor combinations with toothed belt axis EGC-HD-TB

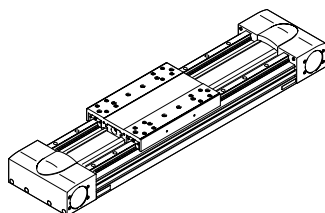


Table of interfaces for third-party motors

→ from page 60

Technical data for axial kits

→ from page 65

| Motor/gear unit ¹⁾ | Motor interface | Axial kit | |
|--|-----------------|-----------|------------------|
| | | Part no. | Type |
| EGC-HD-160-...-TB | | | |
| With servo motor | | | |
| Third-party motor | 84AA | 8063548 | EAMM-A-M48-84AA |
| Third-party motor | 88A | 8063547 | EAMM-A-M48-88A |
| With servo motor and gear unit | | | |
| EMME-AS-40-... EMGA-40-P-G...-EAS-40 | 40G | 8063549 | EAMM-A-M48-40G |
| EMMT-AS-60-..., EMME-AS-60-... EMGA-60-P-G...-EAS-60 | 60H | 1456614 | EAMM-A-M48-60H |
| EMMT-AS-80-..., EMME-AS-80-... EMGA-80-P-G...-EAS-80 | 80G | 1190421 | EAMM-A-M48-80G |
| EMMT-AS-100-..., EMME-AS-100-... EMGA-80-P-G...-SAS-100 | 80G | 1190421 | EAMM-A-M48-80G |
| With servo motor and right-angle gear unit | | | |
| EMME-AS-40-... EMGA-40-A-G...-40P | 40P | 8063549 | EAMM-A-M48-40P |
| EMMT-AS-60-..., EMME-AS-60-... EMGA-60-A-G...-60P | 60H | 1456614 | EAMM-A-M48-60H |
| EMMT-AS-80-..., EMME-AS-80-... EMGA-80-A-G...-80P | 80G | 1190421 | EAMM-A-M48-80G |
| EMMT-AS-100-..., EMME-AS-100-... EMGA-80-A-G...-100A | 80G | 1190421 | EAMM-A-M48-80G |
| With stepper motor and gear unit | | | |
| EMMS-ST-57-... EMGA-60-P-G...-SST-57 | 60G | 8063552 | EAMM-A-M48-60G |
| EMMS-ST-87-... EMGA-80-P-G...-SST-87 | 80G | 1190421 | EAMM-A-M48-80G |
| With integrated drive and gear unit | | | |
| EMCA-EC-67-... EMGC-60-... | 60H | 1456614 | EAMM-A-M48-60H |
| With third-party gear unit | | | |
| Third-party gear unit | 40G | 8063549 | EAMM-A-M48-40G |
| Third-party gear unit | 50GA | 8063550 | EAMM-A-M48-50GA |
| Third-party gear unit | 56GA | 8063551 | EAMM-A-M48-56GA |
| Third-party gear unit | 60H | 1456614 | EAMM-A-M48-60H |
| Third-party gear unit | 68GA | 8063556 | EAMM-A-M48-68GA |
| Third-party gear unit | 70GA | 8063553 | EAMM-A-M48-70GA |
| Third-party gear unit | 72GA | 8063557 | EAMM-A-M48-72GA |
| Third-party gear unit | 75GA | 8063554 | EAMM-A-M48-75GA |
| Third-party gear unit | 90GA | 8063559 | EAMM-A-M48-90GA |
| Third-party gear unit | 90GB | 8063558 | EAMM-A-M48-90GB |
| Third-party gear unit | 120GA | 8063561 | EAMM-A-M48-120GA |

1) The input torque must not exceed the max. permissible transferable torque of the axial kit.

Product range overview

Permissible axis/motor combinations with toothed belt axis EGC-HD-TB

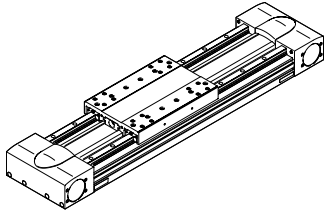


Table of interfaces for third-party motors

→ from page 60

Technical data for axial kits

→ from page 65

| Motor/gear unit ¹⁾ Type | Motor interface | Axial kit | |
|---|-----------------|-----------|------------------|
| | | Part no. | Type |
| EGC-HD-220-...-TB | | | |
| With servo motor | | | |
| Third-party motor | 84AA | 8063563 | EAMM-A-M80-84AA |
| With servo motor and gear unit | | | |
| EMMT-AS-80-..., EMME-AS-80-... EMGA-80-P-G...-EAS-80 | 80G | 8063565 | EAMM-A-M80-80G |
| EMMT-AS-100-..., EMME-AS-100-... EMGA-80-P-G...-SAS-100 | 80G | 8063565 | EAMM-A-M80-80G |
| EMMT-AS-100-..., EMME-AS-100-... EMGA-120-P-G...-SAS-100 | 120G | 1190774 | EAMM-A-M80-120G |
| EMMS-AS-140-... EMGA-120-P-G...-SAS-140 | 120G | 1190774 | EAMM-A-M80-120G |
| With third-party gear unit | | | |
| Third-party gear unit | 68GA | 8063566 | EAMM-A-M80-68GA |
| Third-party gear unit | 75GA | 8063564 | EAMM-A-M80-75GA |
| Third-party gear unit | 80G | 8063565 | EAMM-A-M80-80G |
| Third-party gear unit | 90GA | 8063568 | EAMM-A-M80-90GA |
| Third-party gear unit | 90GB | 8063567 | EAMM-A-M80-90GB |
| Third-party gear unit | 115GA | 8063569 | EAMM-A-M80-115GA |
| Third-party gear unit | 120G | 1190774 | EAMM-A-M80-120G |
| Third-party gear unit | 120GA | 8063571 | EAMM-A-M80-120GA |
| Third-party gear unit | 120GB | 8063572 | EAMM-A-M80-120GB |
| Third-party gear unit | 120GC | 8063573 | EAMM-A-M80-120GC |

1) The input torque must not exceed the max. permissible transferable torque of the axial kit.

Product range overview

Permissible axis/motor combinations with spindle axis EGC-HD-BS

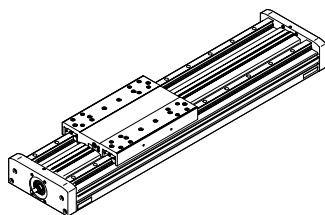


Table of interfaces for third-party motors

→ from page 60

Technical data for axial kits

→ from page 65

| Motor/gear unit ¹⁾ Type | Motor interface | Axial kit | |
|---|-----------------|-----------|-------------------|
| | | Part no. | Type |
| EGC-HD-125-...-BS | | | |
| With servo motor | | | |
| EMME-AS-40-... | 40P | ★ 3637972 | EAMM-A-S38-40P-G2 |
| Third-party motor | 40A | 3637971 | EAMM-A-S38-40A-G2 |
| Third-party motor | 55A | 3637967 | EAMM-A-S38-55A-G2 |
| Third-party motor | 58AA | 8105927 | EAMM-A-S38-58AA |
| EMMT-AS-60-..., EMME-AS-60-..., third-party motor | 60P | ★ 3637958 | EAMM-A-S38-60P-G2 |
| Third-party motor | 60R | 8105923 | EAMM-A-S38-60R |
| Third-party motor | 60RA | 8105924 | EAMM-A-S38-60RA |
| With servo motor and gear unit | | | |
| EMME-AS-40-... EMGA-40-P-G...-EAS-40 | 40G | 1456647 | EAMM-A-S38-40G-G2 |
| With servo motor and right-angle gear unit | | | |
| EMME-AS-40-... EMGA-40-A-G...-40P | 40G | 1456647 | EAMM-A-S38-40G-G2 |
| With stepper motor | | | |
| EMMS-ST-42-..., third-party motor | 42A | ★ 3637965 | EAMM-A-S38-42A-G2 |
| EMMS-ST-57-... | 57A | ★ 3637956 | EAMM-A-S38-57A-G2 |
| Third-party motor | 60AA | 8105926 | EAMM-A-S38-60AA |
| With stepper motor and gear unit | | | |
| EMMS-ST-42-... EMGA-40-P-G...-SST-42 | 40G | 1456647 | EAMM-A-S38-40G-G2 |
| With integrated drive | | | |
| EMCA-EC-67-... | 67A | 1456638 | EAMM-A-S38-67A-G2 |
| With integrated drive and gear unit | | | |
| EMCA-EC-67-... EMGC-40-... | 40G | 1456647 | EAMM-A-S38-40G-G2 |
| With third-party gear unit | | | |
| Third-party gear unit | 40G | 1456647 | EAMM-A-S38-40G-G2 |
| Third-party gear unit | 50GA | 8105922 | EAMM-A-S38-50GA |

1) The input torque must not exceed the max. permissible transferable torque of the axial kit.

Festo Core Range



Generally ready for shipping ex works in 24 hours

Generally ready for shipping ex works in 5 days

Product range overview

Permissible axis/motor combinations with spindle axis EGC-HD-BS

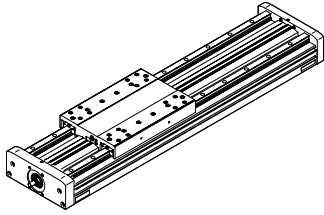


Table of interfaces for third-party motors

→ from page 60

Technical data for axial kits

→ from page 65

| Motor/gear unit ¹⁾ | Motor interface | Axial kit | |
|--|-----------------|-----------|-------------------|
| | | Part no. | Type |
| EGC-HD-160-...-BS | | | |
| With servo motor | | | |
| Third-party motor | 55A | 3637961 | EAMM-A-S48-55A-G2 |
| Third-party motor | 58AA | 8105933 | EAMM-A-S48-58AA |
| EMMT-AS-60-..., EMME-AS-60-..., third-party motor | 60P | ★ 3637964 | EAMM-A-S48-60P-G2 |
| Third-party motor | 60R | 8105939 | EAMM-A-S48-60R |
| Third-party motor | 60RA | 8105941 | EAMM-A-S48-60RA |
| Third-party motor | 70A | 3637957 | EAMM-A-S48-70A-G2 |
| Third-party motor | 70AA, 70AB | 8105942 | EAMM-A-S48-70AA |
| With servo motor and gear unit | | | |
| EMME-AS-40-... EMGA-40-P-G-...-EAS-40 | 40G | 1456650 | EAMM-A-S48-40G-G2 |
| EMMT-AS-60-..., EMME-AS-60-... EMGA-60-P-G-...-EAS-60 | 60H | 1456652 | EAMM-A-S48-60H-G2 |
| With servo motor and right-angle gear unit | | | |
| EMME-AS-40-... EMGA-40-A-G-...-40P | 40G | 1456650 | EAMM-A-S48-40G-G2 |
| EMMT-AS-60-..., EMME-AS-60-... EMGA-60-A-G-...-60P | 60H | 1456652 | EAMM-A-S48-60H-G2 |
| With stepper motor | | | |
| EMMS-ST-57-... | 57A | ★ 3637963 | EAMM-A-S48-57A-G2 |
| Third-party motor | 60AA | 8105935 | EAMM-A-S48-60AA |
| EMMS-ST-87-... | 87A | ★ 3637962 | EAMM-A-S48-87A-G2 |
| With stepper motor and gear unit | | | |
| EMMS-ST-42-... EMGA-40-P-G-...-SST-42 | 40G | 1456650 | EAMM-A-S48-40G-G2 |
| EMMS-ST-57-... EMGA-60-P-G-...-SST-57 | 60G | 2256701 | EAMM-A-S48-60G-G2 |
| With integrated drive and gear unit | | | |
| EMCA-EC-67-... EMGC-40 | 40G | 1456650 | EAMM-A-S48-40G-G2 |
| EMCA-EC-67-... EMGC-60-... | 60H | 1456652 | EAMM-A-S48-60H-G2 |
| With third-party gear unit | | | |
| Third-party gear unit | 40G | 1456650 | EAMM-A-S48-40G-G2 |
| Third-party gear unit | 50GA | 8105930 | EAMM-A-S48-50GA |
| Third-party gear unit | 60H | 1456652 | EAMM-A-S48-60H-G2 |

1) The input torque must not exceed the max. permissible transferable torque of the axial kit.



Product range overview

Permissible axis/motor combinations with spindle axis EGC-HD-BS

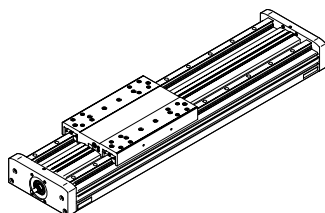


Table of interfaces for third-party motors

→ from page 60

Technical data for axial kits

→ from page 65

| Motor/gear unit ¹⁾ | Motor interface | Axial kit | |
|--|-----------------|-----------|--------------------|
| | | Part no. | Type |
| EGC-HD-220-...-BS | | | |
| With servo motor | | | |
| Third-party motor | 70A | 3637959 | EAMM-A-S62-70A-G2 |
| EMMT-AS-80-..., EMME-AS-80-..., third-party motor | 80P | ★ 3637970 | EAMM-A-S62-80P-G2 |
| Third-party motor | 80PB, 80R | 8110208 | EAMM-A-S62-80PB |
| Third-party motor | 82AA | 8110211 | EAMM-A-S62-82AA |
| Third-party motor | 84AA | 8110226 | EAMM-A-S62-84AA |
| EMMT-AS-100-..., EMME-AS-100-..., third-party motor | 100A | ★ 3637960 | EAMM-A-S62-100A-G2 |
| EMMT-AS-150 | 150A | 8157272 | EAMM-A-S62-150A-G2 |
| With servo motor and gear unit | | | |
| EMMT-AS-60-..., EMME-AS-60-... EMGA-60-P-G...-EAS-60 | 60H | 1456654 | EAMM-A-S62-60H-G2 |
| EMMT-AS-80-..., EMME-AS-80-... EMGA-80-P-G...-EAS-80 | 80G | 1972530 | EAMM-A-S62-80G-G2 |
| EMMT-AS-100-..., EMME-AS-100-... EMGA-80-P-G...-SAS-100 | 80G | 1972530 | EAMM-A-S62-80G-G2 |
| With servo motor and right-angle gear unit | | | |
| EMMT-AS-60-..., EMME-AS-60-... EMGA-60-A-G...-60P | 60H | 1456654 | EAMM-A-S62-60H-G2 |
| EMMT-AS-80-..., EMME-AS-80-... EMGA-80-A-G...-80P | 80G | 1972530 | EAMM-A-S62-80G-G2 |
| EMMT-AS-100-..., EMME-AS-100-... EMGA-80-A-G...-100A | 80G | 1972530 | EAMM-A-S62-80G-G2 |
| With stepper motor | | | |
| EMMS-ST-87-... | 87A | ★ 3637966 | EAMM-A-S62-87A-G2 |
| With stepper motor and gear unit | | | |
| EMMS-ST-57-... EMGA-60-P-G...-SST-57 | 60G | 2297649 | EAMM-A-S62-60G-G2 |
| EMMS-ST-87-... EMGA-80-P-G...-SST-87 | 80G | 1972530 | EAMM-A-S62-80G-G2 |
| With integrated drive and gear unit | | | |
| EMCA-EC-67-... EMGC-60-... | 60H | 1456654 | EAMM-A-S62-60H-G2 |
| With third-party gear unit | | | |
| Third-party gear unit | 60H | 1456654 | EAMM-A-S62-60H-G2 |
| Third-party gear unit | 70GA | 8110082 | EAMM-A-S62-70GA |
| Third-party gear unit | 80G | 1972530 | EAMM-A-S62-80G-G2 |

1) The input torque must not exceed the max. permissible transferable torque of the axial kit.

Festo Core Range



Generally ready for shipping ex works in 24 hours

Generally ready for shipping ex works in 5 days

Product range overview

Permissible axis/motor combinations with cantilever axis ELCC-TB-...

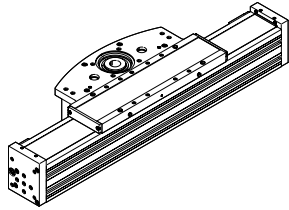


Table of interfaces for third-party motors

→ from page 60

Technical data for axial kits

→ from page 65

| Motor/gear unit ¹⁾ | Motor interface | Axial kit | |
|--|-----------------|-----------|------------------|
| | | Part no. | Type |
| ELCC-TB-...-60 | | | |
| With servo motor | | | |
| Third-party motor | 60PA | 8063590 | EAMM-A-N48-60PA |
| Third-party motor | 70AA, 70AB | 8063591 | EAMM-A-N48-70AA |
| EMMT-AS-80-..., EMME-AS-80-..., third-party motor | 80P | 8063592 | EAMM-A-N48-80P |
| Third-party motor | 80PB, 80R | 8107714 | EAMM-A-N48-80PB |
| Third-party motor | 84AA | 8063594 | EAMM-A-N48-84AA |
| Third-party motor | 88A | 8063593 | EAMM-A-N48-88A |
| With servo motor and gear unit | | | |
| EMMT-AS-60-..., EMME-AS-60-... EMGA-60-P-G...-EAS-60 | 60H | 1456618 | EAMM-A-N48-60H |
| EMMT-AS-80-..., EMME-AS-80-... EMGA-80-P-G...-EAS-80 | 80G | 1258793 | EAMM-A-N48-80G |
| With servo motor and right-angle gear unit | | | |
| EMMT-AS-60-..., EMME-AS-60-... EMGA-60-A-G...-60P | 60H | 1456618 | EAMM-A-N48-60H |
| EMMT-AS-80-..., EMME-AS-80-... EMGA-80-A-G...-80P | 80G | 1258793 | EAMM-A-N48-80G |
| ELCC-TB-...-70 | | | |
| With servo motor | | | |
| EMMT-AS-100-..., EMME-AS-100-..., third-party motor | 100A | 1201894 | EAMM-A-N48-100A |
| With servo motor and gear unit | | | |
| EMMT-AS-80-..., EMME-AS-80-... EMGA-80-P-G...-EAS-80 | 80G | 1258793 | EAMM-A-N48-80G |
| EMMT-AS-100-..., EMME-AS-100-... EMGA-80-P-G...-SAS-100 | 80G | 1258793 | EAMM-A-N48-80G |
| With servo motor and right-angle gear unit | | | |
| EMMT-AS-80-..., EMME-AS-80-... EMGA-80-A-G...-80P | 80G | 1258793 | EAMM-A-N48-80G |
| EMMT-AS-100-..., EMME-AS-100-... EMGA-80-A-G...-100A | 80G | 1258793 | EAMM-A-N48-80G |
| With third-party gear unit | | | |
| Third-party gear unit | 50GA | 8063595 | EAMM-A-N48-50GA |
| Third-party gear unit | 56GA | 8063596 | EAMM-A-N48-56GA |
| Third-party gear unit | 70GA | 8063597 | EAMM-A-N48-70GA |
| Third-party gear unit | 72GA | 8063601 | EAMM-A-N48-72GA |
| Third-party gear unit | 75GA | 8063598 | EAMM-A-N48-75GA |
| Third-party gear unit | 90GA | 8063603 | EAMM-A-N48-90GA |
| Third-party gear unit | 90GB | 8063602 | EAMM-A-N48-90GB |
| Third-party gear unit | 120GA | 8063605 | EAMM-A-N48-120GA |

1) The input torque must not exceed the max. permissible transferable torque of the axial kit.

Product range overview

Permissible axis/motor combinations with cantilever axis ELCC-TB-...

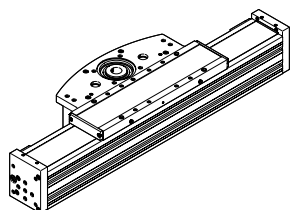


Table of interfaces for third-party motors

→ from page 60

Technical data for axial kits

→ from page 65

| Motor/gear unit ¹⁾ | Motor interface | Axial kit | |
|---|-----------------|-----------|--------------------|
| | | Part no. | Type |
| ELCC-TB-...-90 | | | |
| With servo motor | | | |
| EMMT-AS-100-..., EMME-AS-100-..., third-party motor | 100A | 8063607 | EAMM-A-N80-100A |
| EMMT-AS-150-... | 150A | 8157277 | EAMM-A-N80-150A |
| With servo motor and gear unit | | | |
| EMMT-AS-100-..., EMME-AS-100-... EMGA-80-P-G...-SAS-100 | 80G | 2372096 | EAMM-A-N80-80G |
| With servo motor and right-angle gear unit | | | |
| EMMT-AS-100-..., EMME-AS-100-... EMGA-80-A-...-100A | 80G | 2372096 | EAMM-A-N80-80G |
| With third-party gear unit | | | |
| Third-party gear unit | 68GA | 8063611 | EAMM-A-N80-68GA |
| Third-party gear unit | 70GA | 8063608 | EAMM-A-N80-70GA |
| Third-party gear unit | 72GA | 8063612 | EAMM-A-N80-72GA |
| Third-party gear unit | 75GA | 8063609 | EAMM-A-N80-75GA |
| Third-party gear unit | 90GA | 8063614 | EAMM-A-N80-90GA |
| Third-party gear unit | 90GB | 8063613 | EAMM-A-N80-90GB |
| Third-party gear unit | 115GA | 8063615 | EAMM-A-N80-115GA |
| Third-party gear unit | 120GA | 8063617 | EAMM-A-N80-120GA |
| Third-party gear unit | 120GB | 8063618 | EAMM-A-N80-120GB |
| Third-party gear unit | 120GC | 8063619 | EAMM-A-N80-120GC |
| ELCC-TB-...-110 | | | |
| With servo motor | | | |
| EMMS-AS-190-... | 190A | 3659562 | EAMM-A-L95-190A-G2 |
| With servo motor and gear unit | | | |
| EMMT-AS-100-..., EMME-AS-100-... EMGA-80-P-G...-SAS-100 | 80G | 3660191 | EAMM-A-L95-80G-G2 |
| EMMT-AS-100-..., EMME-AS-100-... EMGA-120-P-G...-SAS-100 | 120G | ☆ 3659941 | EAMM-A-L95-120G-G2 |
| EMMS-AS-140-... EMGA-120-P-G...-SAS-140 | 120G | 3659941 | EAMM-A-L95-120G-G2 |
| EMMS-AS-140-... EMGA-160-P-G...-SAS-140 | 160G | 9063532 | EAMM-A-L95-160G |
| With servo motor and right-angle gear unit | | | |
| EMMT-AS-100-..., EMME-AS-100-... EMGA-80-A-G...-100A | 80G | 3660191 | EAMM-A-L95-80G-G2 |
| With third-party gear unit | | | |
| Third-party gear unit | 68GA | 8063524 | EAMM-A-L95-68GA |
| Third-party gear unit | 72GA | 8063525 | EAMM-A-L95-72GA |
| Third-party gear unit | 75GA | 8063522 | EAMM-A-L95-75GA |
| Third-party gear unit | 90GA | 8063526 | EAMM-A-L95-90GA |
| Third-party gear unit | 115GA | 8063527 | EAMM-A-L95-115GA |
| Third-party gear unit | 120GA | 8063529 | EAMM-A-L95-120GA |
| Third-party gear unit | 120GB | 8063530 | EAMM-A-L95-120GB |
| Third-party gear unit | 120GC | 8063531 | EAMM-A-L95-120GC |

1) The input torque must not exceed the max. permissible transferable torque of the axial kit.

Festo Core Range



Generally ready for shipping ex works in 24 hours

Generally ready for shipping ex works in 5 days

Product range overview

Permissible axis/motor combinations with mini slide EGSL

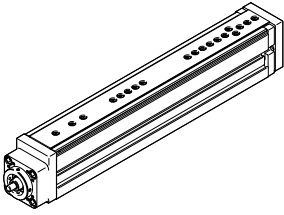


Table of interfaces for third-party motors

→ from page 60

Technical data for axial kits

→ from page 65

| Motor/gear unit ¹⁾ | Motor interface | Axial kit | |
|---|-----------------|-----------|-----------------|
| | | Part no. | Type |
| EGSL-35 | | | |
| With servo motor | | | |
| Third-party motor | 38AA | 8105863 | EAMM-A-D19-38AA |
| EMME-AS-40-... | 40P | 1981953 | EAMM-A-D19-40P |
| Third-party motor | 40A | 1199152 | EAMM-A-D19-40A |
| Third-party motor | 40R | 8105867 | EAMM-A-D19-40R |
| With stepper motor | | | |
| EMMS-ST-28-... | 28A | 1081659 | EAMM-A-D19-28A |
| EMMS-ST-42-..., third-party motor | 42A | 1087642 | EAMM-A-D19-42A |
| EGSL-45 | | | |
| With servo motor | | | |
| Third-party motor | 40A | 543147 | EAMM-A-D32-40A |
| EMME-AS-40-... | 40P | ★ 1976465 | EAMM-A-D32-40P |
| Third-party motor | 40R | 8105826 | EAMM-A-D32-40R |
| Third-party motor | 40RA | 8125610 | EAMM-A-D32-40RA |
| Third-party motor | 55A | 550979 | EAMM-A-D32-55A |
| Third-party motor | 58AA | 8105884 | EAMM-A-D32-58AA |
| EMMT-AS-60-..., EMME-AS-60-..., third-party motor | 60P | ★ 1956054 | EAMM-A-D32-60P |
| Third-party motor | 60R | 8105918 | EAMM-A-D32-60R |
| Third-party motor | 60RA | 8105889 | EAMM-A-D32-60RA |
| With servo motor and gear unit | | | |
| EMME-AS-40-... EMGA-40-P-G...-EAS-40 | 40G | 1454238 | EAMM-A-D32-40G |
| EMMT-AS-60-..., EMME-AS-60-... EMGA-60-P-G...-EAS-60 | 60H | 2946760 | EAMM-A-D32-60H |
| With servo motor and right-angle gear unit | | | |
| EMME-AS-40-... EMGA-40-A-G...-40P | 40G | 1454238 | EAMM-A-D32-40G |
| EMMT-AS-60-..., EMME-AS-60-... EMGA-60-A-G...-60P | 60H | 2946760 | EAMM-A-D32-60H |

1) The input torque must not exceed the max. permissible transferable torque of the axial kit.



Product range overview

Permissible axis/motor combinations with mini slide EGSL

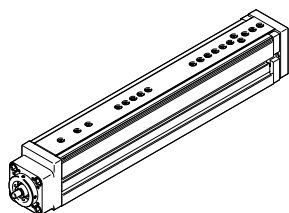


Table of interfaces for third-party motors

→ from page 60

Technical data for axial kits

→ from page 65

| Motor/gear unit ¹⁾ Type | Motor interface | Axial kit | |
|--|-----------------|-----------|-----------------|
| | | Part no. | Type |
| EGSL-45 | | | |
| With stepper motor | | | |
| EMMS-ST-42-..., third-party motor | 42A | ★ 543148 | EAMM-A-D32-42A |
| EMMS-ST-57-... | 57A | ★ 550980 | EAMM-A-D32-57A |
| Third-party motor | 60AA | 8105887 | EAMM-A-D32-60AA |
| With stepper motor and gear unit | | | |
| EMMS-ST-42-... EMGA-40-P-G...-SST-42 | 40G | 1454238 | EAMM-A-D32-40G |
| EMMS-ST-57-... EMGA-60-P-G...-SST-57 | 60G | 2946758 | EAMM-A-D32-60G |
| With integrated drive | | | |
| EMCA-EC-67-... | 67A | 1454239 | EAMM-A-D32-67A |
| With integrated drive and gear unit | | | |
| EMCA-EC-67-... EMGC-40-... | 40G | 1454238 | EAMM-A-D32-40G |
| EMCA-EC-67-... EMGC-60-... | 60H | 2946760 | EAMM-A-D32-60H |
| With integrated drive and right-angle gear unit | | | |
| EMCA-EC-67-... EMGC-67-A-G1-SEC-67 | 67A | 1454239 | EAMM-A-D32-67A |
| With third-party gear unit | | | |
| Third-party gear unit | 40G | 1454238 | EAMM-A-D32-40G |
| Third-party gear unit | 50GA | 8117072 | EAMM-A-D32-50GA |
| Third-party gear unit | 60H | 2946760 | EAMM-A-D32-60H |

1) The input torque must not exceed the max. permissible transferable torque of the axial kit.

Festo Core Range



Generally ready for shipping ex works in 24 hours

Generally ready for shipping ex works in 5 days

Product range overview

Permissible axis/motor combinations with mini slide EGSL

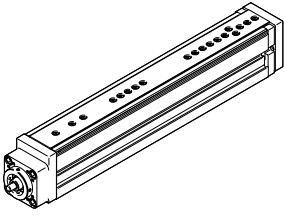


Table of interfaces for third-party motors

→ from page 60

Technical data for axial kits

→ from page 65

| Motor/gear unit ¹⁾ | Motor interface | Axial kit | |
|--|-----------------|-----------|---------------------------------|
| | | Part no. | Type |
| EGSL-55 | | | |
| With servo motor | | | |
| Third-party motor | 55A | 543153 | EAMM-A-D40-55A |
| Third-party motor | 58AA | 8105928 | EAMM-A-D40-58AA |
| EMMT-AS-60-..., EMME-AS-60-..., third-party motor | 60P | ★ 1977000 | EAMM-A-D40-60P |
| Third-party motor | 60R | 8117079 | EAMM-A-D40-60R |
| Third-party motor | 60RA | 8117078 | EAMM-A-D40-60RA |
| Third-party motor | 70A | 550981 | EAMM-A-D40-70A |
| Third-party motor | 70AA, 70AB | 8105952 | EAMM-A-D40-70AA |
| With servo motor and gear unit | | | |
| EMME-AS-40-... EMGA-40-P-G-...-EAS-40 | 40G | 2256398 | EAMM-A-D40-40G-G2 ²⁾ |
| EMMT-AS-60-... EMGA-60-P-G-...-EAS-60 | 60H | 1454242 | EAMM-A-D40-60H |
| EMME-AS-60-... EMGA-60-P-G-...-EAS-60 | 60H | 1454242 | EAMM-A-D40-60H |
| With servo motor and right-angle gear unit | | | |
| EMME-AS-40-... EMGA-40-A-G-...-40P | 40G | 2256398 | EAMM-A-D40-40G-G2 ²⁾ |
| EMMT-AS-60-... EMGA-60-A-G-...-60P | 60H | 1454242 | EAMM-A-D40-60H |
| EMME-AS-60-... EMGA-60-A-G-...-60P | 60H | 1454242 | EAMM-A-D40-60H |
| With stepper motor | | | |
| EMMS-ST-57-... | 57A | ★ 543154 | EAMM-A-D40-57A |
| Third-party motor | 60AA | 8105929 | EAMM-A-D40-60AA |
| EMMS-ST-87-... | 87A | ★ 550982 | EAMM-A-D40-87A |
| With stepper motor and gear unit | | | |
| EMMS-ST-42-... EMGA-40-P-G-...-SST-42 | 40G | 2256398 | EAMM-A-D40-40G-G2 ²⁾ |
| EMMS-ST-57-... EMGA-60-P-G-...-SST-57 | 60G | 2256400 | EAMM-A-D40-60G |
| With integrated drive | | | |
| EMCA-EC-67-... | 67A | 1454243 | EAMM-A-D40-67A |
| With integrated drive and gear unit | | | |
| EMCA-EC-67-... EMGC-40-... | 40G | 2256398 | EAMM-A-D40-40G-G2 ²⁾ |
| EMCA-EC-67-... EMGC-60-... | 60H | 1454242 | EAMM-A-D40-60H |
| With integrated drive and right-angle gear unit | | | |
| EMCA-EC-67-... EMGC-67-A-G1-SEC-67 | 67A | 1454243 | EAMM-A-D40-67A |
| With third-party gear unit | | | |
| Third-party gear unit | 50GA | 8117076 | EAMM-A-D40-50GA |
| Third-party gear unit | 60H | 1454242 | EAMM-A-D40-60H |

1) The input torque must not exceed the max. permissible transferable torque of the axial kit.

2) The axial kit can be retrofitted from IP40 to IP65 with the help of a seal set EADS-F → page 106

Festo Core Range



Generally ready for shipping ex works in 24 hours

Generally ready for shipping ex works in 5 days

Product range overview

Permissible axis/motor combinations with mini slide EGSL

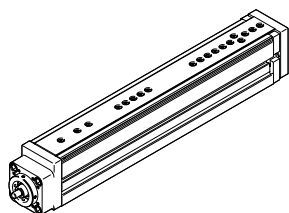


Table of interfaces for third-party motors

→ from page 60

Technical data for axial kits

→ from page 65

| Motor/gear unit ¹⁾ Type | Motor interface | Axial kit | |
|--|-----------------|-----------|---------------------------------|
| | | Part no. | Type |
| EGSL-75 | | | |
| With servo motor | | | |
| Third-party motor | 70A | 543161 | EAMM-A-D60-70A |
| EMMT-AS-80-..., EMME-AS-80-..., third-party motor | 80P | ★ 1977073 | EAMM-A-D60-80P |
| Third-party motor | 80PB, 80R | 8105937 | EAMM-A-D60-80PB |
| Third-party motor | 84AA | 8105945 | EAMM-A-D60-84AA |
| Third-party motor | 92RA | 8159834 | EAMM-A-D60-92RA |
| EMMT-AS-100-..., EMME-AS-100-..., third-party motor | 100A | ★ 550983 | EAMM-A-D60-100A |
| With servo motor and gear unit | | | |
| EMMT-AS-60-..., EMME-AS-60-... EMGA-60-P-G...-EAS-60 | 60H | 1454245 | EAMM-A-D60-60H |
| EMMT-AS-80-..., EMME-AS-80-... EMGA-80-P-G...-EAS-80 | 80G | 1499402 | EAMM-A-D60-80G |
| EMMT-AS-100-..., EMME-AS-100-... EMGA-80-P-G...-SAS-100 | 80G | 1499402 | EAMM-A-D60-80G |
| With servo motor and right-angle gear unit | | | |
| EMMT-AS-60-..., EMME-AS-60-... EMGA-60-A-G...-60P | 60H | 1454245 | EAMM-A-D60-60H |
| EMMT-AS-80-..., EMME-AS-80-... EMGA-80-A-G...-80P | 80G | 1499402 | EAMM-A-D60-80G |
| EMMT-AS-100-..., EMME-AS-100-... EMGA-80-A-G...-100A | 80G | 1499402 | EAMM-A-D60-80G |
| With stepper motor | | | |
| EMMS-ST-87-... | 87A | ★ 543162 | EAMM-A-D60-87A |
| With stepper motor and gear unit | | | |
| EMMS-ST-57-... EMGA-60-P-G...-SST-57 | 60G | 2256696 | EAMM-A-D60-60G-G2 ³⁾ |
| EMMS-ST-87-... EMGA-80-P-G...-SST-87 | 80G | 1499402 | EAMM-A-D60-80G |
| With integrated drive and gear unit | | | |
| EMCA-EC-67-... EMGC-60-... | 60H | 1454245 | EAMM-A-D60-60H |
| With third-party gear unit | | | |
| Third-party gear unit | 60H | 1454245 | EAMM-A-D60-60H |
| Third-party gear unit | 80G | 1499402 | EAMM-A-D60-80G |
| Third-party gear unit | 90GA | 8105944 | EAMM-A-D60-90GA |

1) The input torque must not exceed the max. permissible transferable torque of the axial kit.

2) The axial kit can be retrofitted from IP40 to IP65 with the help of a seal set EADS-F → page 106



Product range overview

Permissible axis/motor combinations with mini slide EGSC

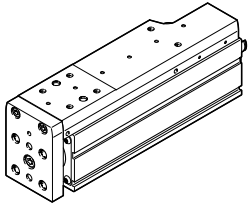


Table of interfaces for third-party motors

→ from page 60

Technical data for axial kits

→ from page 65

| Motor ¹⁾ Type | Motor interface | Axial kit | |
|--|-----------------|-----------|-----------------|
| | | Part no. | Type |
| EGSC-25 | | | |
| With stepper motor | | | |
| EMMS-ST-28-... | 28A | 4505258 | EAMM-A-V20-28A |
| Third-party motor | 28AA | 8093016 | EAMM-A-V20-28AA |
| EGSC-32 | | | |
| With servo motor | | | |
| Third-party motor | 38AA | 8093162 | EAMM-A-V25-38AA |
| EMME-AS-40-... | 40P | 4491059 | EAMM-A-V25-40P |
| Third-party motor | 40R | 8087062 | EAMM-A-V25-40R |
| Third-party motor | 40RA | 8094100 | EAMM-A-V25-40RA |
| With stepper motor | | | |
| Third-party motor | 35A, 35AB | 8093255 | EAMM-A-V25-35A |
| EMMS-ST-42-..., third-party motor | 42A | 4582608 | EAMM-A-V25-42A |
| Third-party motor | 42AB | 8094108 | EAMM-A-V25-42AB |
| EGSC-45 | | | |
| With servo motor | | | |
| Third-party motor | 38AA | 8093023 | EAMM-A-V32-38AA |
| EMME-AS-40-... | 40P | 4595742 | EAMM-A-V32-40P |
| Third-party motor | 40R | 8087090 | EAMM-A-V32-40R |
| Third-party motor | 40RA | 8094180 | EAMM-A-V32-40RA |
| Third-party motor | 58AA | 8098982 | EAMM-A-V32-58AA |
| EMMT-AS-60-..., EMME-AS-60-..., third-party motor | 60P | 4608750 | EAMM-A-V32-60P |
| Third-party motor | 60PA | 8091053 | EAMM-A-V32-60PA |
| Third-party motor | 60RA | 8093041 | EAMM-A-V32-60RA |
| With stepper motor | | | |
| EMMS-ST-42-..., third-party motor | 42A | 4281142 | EAMM-A-V32-42A |
| Third-party motor | 42AB | 8094200 | EAMM-A-V32-42AB |
| EMMS-ST-57-... | 57A | 4597016 | EAMM-A-V32-57A |
| Third-party motor | 60AA | 8092271 | EAMM-A-V32-60AA |
| EGSC-60 | | | |
| With servo motor | | | |
| Third-party motor | 55A | 8082614 | EAMM-A-T42-55A |
| Third-party motor | 58AA | 8094935 | EAMM-A-T42-58AA |
| EMMT-AS-60-..., EMME-AS-60-..., third-party motor | 60P, 60PA | 4133487 | EAMM-A-T42-60P |
| Third-party motor | 60R | 8093289 | EAMM-A-T42-60R |
| Third-party motor | 60RA | 8092264 | EAMM-A-T42-60RA |
| EMMT-AS-80-..., EMME-AS-80-..., third-party motor | 80P | 4623788 | EAMM-A-T42-80P |
| With stepper motor | | | |
| EMMS-ST-57-... | 57A | 4327034 | EAMM-A-T42-57A |
| Third-party motor | 60AA | 8092255 | EAMM-A-T42-60AA |
| Third-party motor | 60AB | 8094949 | EAMM-A-T42-60AB |
| EMMS-ST-87-... | 87A | 4610008 | EAMM-A-T42-87A |
| With integrated drive | | | |
| EMCA-EC-67-... | 67A | 8084497 | EAMM-A-T42-67A |
| With integrated drive and right-angle gear unit | | | |
| EMCA-EC-67-... EMGC-67-A-G1-SEC-67 | 67A | 8084497 | EAMM-A-T42-67A |

1) The input torque must not exceed the max. permissible transferable torque of the axial kit.

Product range overview

Permissible axis/motor combinations with electric slide EGSK

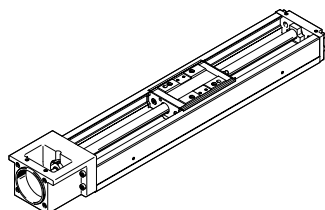


Table of interfaces for third-party motors

→ from page 60

Technical data for axial kits

→ from page 65

| Motor/gear unit ¹⁾ Type | Motor interface | Axial kit | |
|---|-----------------|-----------|--------------------|
| | | Part no. | Type |
| EGSK-15 | | | |
| With servo motor | | | |
| EMME-AS-40-... | 40P | 1982886 | EAMM-A-P3-28D-40P |
| With stepper motor | | | |
| EMMS-ST-28-... | 28A | 1703478 | EAMM-A-P3-28D-28A |
| EGSK-20 | | | |
| With servo motor | | | |
| Third-party motor | 38AA | 8107704 | EAMM-A-P4-28B-38AA |
| Third-party motor | 40A | 562637 | EAMM-A-P4-28B-40A |
| EMME-AS-40-... | 40P | 1983071 | EAMM-A-P4-28B-40P |
| Third-party motor | 40R | 8107707 | EAMM-A-P4-28B-40R |
| Third-party motor | 40RA | 8107708 | EAMM-A-P4-28B-40RA |
| With stepper motor | | | |
| EMMS-ST-28-... | 28A | 1731466 | EAMM-A-P4-28B-28A |
| EMMS-ST-42-..., third-party motor | 42A | 562636 | EAMM-A-P4-28B-42A |
| EGSK-26 | | | |
| With servo motor | | | |
| Third-party motor | 38AA | 8107710 | EAMM-A-P5-28B-38AA |
| Third-party motor | 40A | 562641 | EAMM-A-P5-28B-40A |
| EMME-AS-40-... | 40P | 1983122 | EAMM-A-P5-28B-40P |
| Third-party motor | 40R | 8107711 | EAMM-A-P5-28B-40R |
| Third-party motor | 40RA | 8107712 | EAMM-A-P5-28B-40RA |
| With stepper motor | | | |
| EMMS-ST-28-... | 28A | 1731474 | EAMM-A-P5-28B-28A |
| EMMS-ST-42-..., third-party motor | 42A | 562640 | EAMM-A-P5-28B-42A |
| EGSK-33 | | | |
| With servo motor | | | |
| Third-party motor | 40A | 562646 | EAMM-A-P6-38A-40A |
| EMME-AS-40-... | 40P | 1983450 | EAMM-A-P6-38A-40P |
| Third-party motor | 55A | 562647 | EAMM-A-P6-38A-55A |
| Third-party motor | 58AA | 8123494 | EAMM-A-P6-38A-58AA |
| EMMT-AS-60-..., EMME-AS-60-..., third-party motor | 60P | 2264375 | EAMM-A-P6-38A-60P |
| Third-party motor | 60R | 8123495 | EAMM-A-P6-38A-60R |
| Third-party motor | 60RA | 8123496 | EAMM-A-P6-38A-60RA |
| With servo motor and gear unit | | | |
| EMME-AS-40-... | 40G | 2297645 | EAMM-A-P6-38A-40G |
| EMGA-40-P-G...-EAS-40 | | | |

1) The input torque must not exceed the max. permissible transferable torque of the axial kit.

Product range overview

Permissible axis/motor combinations with electric slide EGSK

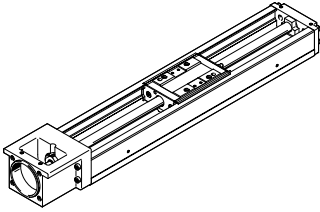


Table of interfaces for third-party motors

→ from page 60

Technical data for axial kits

→ from page 65

| Motor/gear unit ¹⁾ | Motor interface | Axial kit | |
|--|-----------------|-----------|--------------------|
| | | Part no. | Type |
| EGSK-33 | | | |
| With stepper motor | | | |
| EMMS-ST-42-..., third-party motor | 42A | 562644 | EAMM-A-P6-38A-42A |
| EMMS-ST-57-... | 57A | 562645 | EAMM-A-P6-38A-57A |
| With stepper motor and gear unit | | | |
| EMMS-ST-42-... EMGA-40-P-G...-SST-42 | 40G | 2297645 | EAMM-A-P6-38A-40G |
| With integrated drive | | | |
| EMCA-EC-67-... | 67A | 2297641 | EAMM-A-P6-38A-67A |
| With integrated drive and gear unit | | | |
| EMCA-EC-67-... EMGC-40-... | 40G | 2297645 | EAMM-A-P6-38A-40G |
| With integrated drive and right-angle gear unit | | | |
| EMCA-EC-67-... EMGC-67-A-G1-SEC-67 | 67A | 2297641 | EAMM-A-P6-38A-67A |
| EGSK-46 | | | |
| With servo motor | | | |
| Third-party motor | 40A | 562652 | EAMM-A-P8-38A-40A |
| EMME-AS-40-... | 40P | 1986292 | EAMM-A-P8-38A-40P |
| Third-party motor | 55A | 562653 | EAMM-A-P8-38A-55A |
| Third-party motor | 58AA | 8105910 | EAMM-A-P8-38A-58AA |
| EMMT-AS-60-..., EMME-AS-60-..., third-party motor | 60P | 1987308 | EAMM-A-P8-38A-60P |
| Third-party motor | 60R | 8105916 | EAMM-A-P8-38A-60R |
| Third-party motor | 60RA | 8105914 | EAMM-A-P8-38A-60RA |
| Third-party motor | 70A | 564996 | EAMM-A-P8-38A-70A |
| Third-party motor | 70AA, 70AB | 8105920 | EAMM-A-P8-38A-70AA |
| With servo motor and gear unit | | | |
| EMME-AS-40-... EMGA-40-P-G...-EAS-40 | 40G | 2297646 | EAMM-A-P8-38A-40G |
| With stepper motor | | | |
| EMMS-ST-42-..., third-party motor | 42A | 562650 | EAMM-A-P8-38A-42A |
| EMMS-ST-57-... | 57A | 562651 | EAMM-A-P8-38A-57A |
| Third-party motor | 60AA | 8105913 | EAMM-A-P8-38A-60AA |
| EMMS-ST-87-... | 87A | 564998 | EAMM-A-P8-38A-87A |
| With stepper motor and gear unit | | | |
| EMMS-ST-42-... EMGA-40-P-G...-SST-42 | 40G | 2297646 | EAMM-A-P8-38A-40G |
| With integrated drive | | | |
| EMCA-EC-67-... | 67A | 2297643 | EAMM-A-P8-38A-67A |
| With integrated drive and gear unit | | | |
| EMCA-EC-67-... EMGC-40-... | 40G | 2297646 | EAMM-A-P8-38A-40G |
| With integrated drive and right-angle gear unit | | | |
| EMCA-EC-67-... EMGC-67-A-G1-SEC-67 | 67A | 2297643 | EAMM-A-P8-38A-67A |

1) The input torque must not exceed the max. permissible transferable torque of the axial kit.

Product range overview

Permissible axis/motor combinations with toothed belt axis ELGR, ELGG

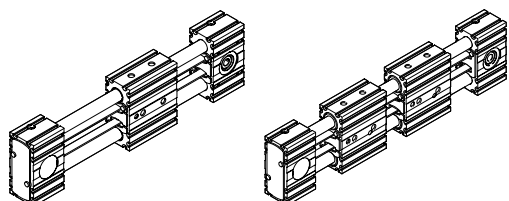


Table of interfaces for third-party motors

→ from page 60

Technical data for axial kits

→ from page 65

| Motor/gear unit ¹⁾ | Motor interface | Axial kit | |
|---|-----------------|-----------|----------------|
| | | Part no. | Type |
| ELGR-35, ELGG-35 | | | |
| With servo motor | | | |
| Third-party motor | 55A | 1133400 | EAMM-A-R27-55A |
| With servo motor and gear unit | | | |
| EMME-AS-40-... EMGA-40-P-G...-EAS-40 | 40G | 1456622 | EAMM-A-R27-40G |
| With servo motor and right-angle gear unit | | | |
| EMME-AS-40-... EMGA-40-A-G...-40P | 40G | 1456622 | EAMM-A-R27-40G |
| With stepper motor | | | |
| EMMS-ST-57-... | 57A | ★ 1133403 | EAMM-A-R27-57A |
| With stepper motor and gear unit | | | |
| EMMS-ST-42-... EMGA-40-P-G...-SST-42 | 40G | 1456622 | EAMM-A-R27-40G |
| With integrated drive | | | |
| EMCA-EC-67-... | 67A | 1456619 | EAMM-A-R27-67A |
| With integrated drive and gear unit | | | |
| EMCA-EC-67-... EMGC-40-... | 40G | 1456622 | EAMM-A-R27-40G |
| With integrated drive and right-angle gear unit | | | |
| EMCA-EC-67-... EMGC-67-A-G1-SEC-67 | 67A | 1456619 | EAMM-A-R27-67A |
| ELGR-45, ELGG-45 | | | |
| With servo motor | | | |
| EMMT-AS-60-..., EMME-AS-60-..., third-party motor | 60P | ★ 2224996 | EAMM-A-R38-60P |
| Third-party motor | 70A | 1133401 | EAMM-A-R38-70A |
| With servo motor and gear unit | | | |
| EMME-AS-40-... EMGA-40-P-G...-EAS-40 | 40G | 1456623 | EAMM-A-R38-40G |
| EMMT-AS-60-..., EMME-AS-60-... EMGA-60-P-G...-EAS-60 | 60H | 1456630 | EAMM-A-R38-60H |
| With servo motor and right-angle gear unit | | | |
| EMME-AS-40-... EMGA-40-A-G...-40P | 40G | 1456623 | EAMM-A-R38-40G |
| EMMT-AS-60-..., EMME-AS-60-... EMGA-60-A-G...-60P | 60H | 1456630 | EAMM-A-R38-60H |

Festo Core Range



Generally ready for shipping ex works in 24 hours

Generally ready for shipping ex works in 5 days

Product range overview

Permissible axis/motor combinations with toothed belt axis ELGR, ELGG

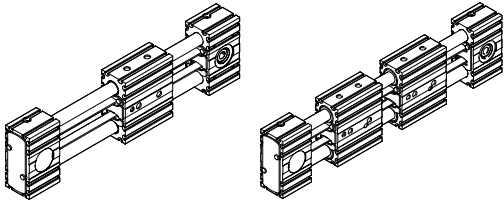


Table of interfaces for third-party motors

→ from page 60

Technical data for axial kits

→ from page 65

| Motor/gear unit ¹⁾ Type | Motor interface | Axial kit | |
|---|-----------------|-----------|-----------------|
| | | Part no. | Type |
| ELGR-45, ELGG-45 | | | |
| With stepper motor | | | |
| EMMS-ST-57-... | 57A | ★ 1578138 | EAMM-A-R38-57A |
| EMMS-ST-87-... | 87A | ★ 1133404 | EAMM-A-R38-87A |
| With stepper motor and gear unit | | | |
| EMMS-ST-42-... EMGA-40-P-G...-SST-42 | 40G | 1456623 | EAMM-A-R38-40G |
| EMMS-ST-57-... EMGA-60-P-G...-SST-57 | 60G | 2310075 | EAMM-A-R38-60G |
| With integrated drive and gear unit | | | |
| EMCA-EC-67-... EMGC-40-... | 40G | 1456623 | EAMM-A-R38-40G |
| EMCA-EC-67-... EMGC-60-... | 60H | 1456630 | EAMM-A-R38-60H |
| ELGR-55, ELGG-55 | | | |
| With servo motor | | | |
| Third-party motor | | | |
| EMMT-AS-80-..., EMME-AS-80-..., third-party motor | 70A | 1578139 | EAMM-A-R48-70A |
| EMMT-AS-80-..., EMME-AS-80-..., third-party motor | 80P | ★ 2225090 | EAMM-A-R48-80P |
| EMMT-AS-100-..., EMME-AS-100-..., third-party motor | 100A | ★ 1133402 | EAMM-A-R48-100A |
| With servo motor and gear unit | | | |
| EMMT-AS-60-..., EMME-AS-60-... EMGA-60-P-G...-EAS-60 | 60H | 1456633 | EAMM-A-R48-60H |
| With servo motor and right-angle gear unit | | | |
| EMMT-AS-60-..., EMME-AS-60-... EMGA-60-A-G...-60P | 60H | 1456633 | EAMM-A-R48-60H |
| With stepper motor | | | |
| EMMS-ST-87-... | 87A | ★ 1133405 | EAMM-A-R48-87A |
| With stepper motor and gear unit | | | |
| EMMS-ST-57-... EMGA-60-P-G...-SST-57 | 60G | 2374780 | EAMM-A-R48-60G |
| With integrated drive and gear unit | | | |
| EMCA-EC-67-... EMGC-60-... | 60H | 1456633 | EAMM-A-R48-60H |

1) The input torque must not exceed the max. permissible transferable torque of the axial kit.



Product range overview

Permissible axis/motor combinations with rotary module ERMB, EHMB

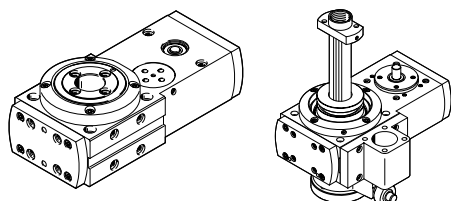


Table of interfaces for third-party motors

→ from page 60

Technical data for axial kits

→ from page 65

| Motor/gear unit ¹⁾ | Motor interface | Axial kit | |
|--|-----------------|-----------|--------------------|
| | | Part no. | Type |
| ERMB-20, EHMB-20 | | | |
| With servo motor | | | |
| EMME-AS-40-... | 40P | 2207441 | EAMM-A-D32-35A-40P |
| Third-party motor | 40A | 560281 | EAMM-A-D32-35A-40A |
| Third-party motor | 40R | 8105826 | EAMM-A-D32-40R |
| Third-party motor | 40RA | 8125610 | EAMM-A-D32-40RA |
| Third-party motor | 55A | 550979 | EAMM-A-D32-55A |
| Third-party motor | 58AA | 8105884 | EAMM-A-D32-58AA |
| EMMT-AS-60-..., EMME-AS-60-..., third-party motor | 60P | ★ 1956054 | EAMM-A-D32-60P |
| Third-party motor | 60R | 8105918 | EAMM-A-D32-60R |
| Third-party motor | 60RA | 8105889 | EAMM-A-D32-60RA |
| With servo motor and gear unit | | | |
| EMME-AS-40-... | 40G | 1454238 | EAMM-A-D32-40G |
| EMGA-40-P-G...-EAS-40 | | | |
| EMMT-AS-60-..., EMME-AS-60-... | 60H | 2946760 | EAMM-A-D32-60H |
| EMGA-60-P-G...-EAS-60 | | | |
| With servo motor and right-angle gear unit | | | |
| EMME-AS-40-... | 40G | 1454238 | EAMM-A-D32-40G |
| EMGA-40-A-G...-40P | | | |
| EMMT-AS-60-..., EMME-AS-60-... | 60H | 2946760 | EAMM-A-D32-60H |
| EMGA-60-A-G...-60P | | | |
| With stepper motor | | | |
| EMMS-ST-42-..., third-party motor | 42A | ★ 543148 | EAMM-A-D32-42A |
| EMMS-ST-57-... | 57A | ★ 550980 | EAMM-A-D32-57A |
| Third-party motor | 60AA | 8105887 | EAMM-A-D32-60AA |
| With stepper motor and gear unit | | | |
| EMMS-ST-42-... | 40G | 1454238 | EAMM-A-D32-40G |
| EMGA-40-P-G...-SST-42 | | | |
| EMMS-ST-57-... | 60G | 2946758 | EAMM-A-D32-60G |
| EMGA-60-P-G...-SST-57 | | | |
| With integrated drive | | | |
| EMCA-EC-67-... | 67A | 1454239 | EAMM-A-D32-67A |
| With integrated drive and gear unit | | | |
| EMCA-EC-67-... | 40G | 1454238 | EAMM-A-D32-40G |
| EMGC-40-... | | | |
| EMCA-EC-67-... | 60H | 2946760 | EAMM-A-D32-60H |
| EMGC-60-... | | | |
| With integrated drive and right-angle gear unit | | | |
| EMCA-EC-67-... | 67A | 1454239 | EAMM-A-D32-67A |
| EMGC-67-A-G1-SEC-67 | | | |
| With third-party gear unit | | | |
| Third-party gear unit | 50GA | 8117072 | EAMM-A-D32-50GA |

1) The input torque must not exceed the max. permissible transferable torque of the axial kit.

Festo Core Range



Generally ready for shipping ex works in 24 hours

Generally ready for shipping ex works in 5 days

Product range overview

Permissible axis/motor combinations with rotary module ERMB, EHMB

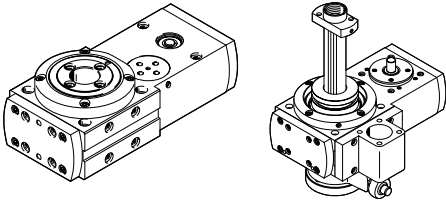


Table of interfaces for third-party motors

→ from page 60

Technical data for axial kits

→ from page 65

| Motor/gear unit ¹⁾ | Motor interface | Axial kit | |
|--|-----------------|-----------|---------------------------------|
| | | Part no. | Type |
| ERMB-25, EHMB-25 | | | |
| With servo motor | | | |
| Third-party motor | 55A | 543153 | EAMM-A-D40-55A |
| Third-party motor | 58AA | 8105928 | EAMM-A-D40-58AA |
| EMMT-AS-60-..., EMME-AS-60-..., third-party motor | 60P | ★ 1977000 | EAMM-A-D40-60P |
| Third-party motor | 60R | 8117079 | EAMM-A-D40-60R |
| Third-party motor | 60RA | 8117078 | EAMM-A-D40-60RA |
| Third-party motor | 70A | 550981 | EAMM-A-D40-70A |
| Third-party motor | 70AA, 70AB | 8105952 | EAMM-A-D40-70AA |
| With servo motor and gear unit | | | |
| EMME-AS-40-... EMGA-40-P-G-...-EAS-40 | 40G | 2256398 | EAMM-A-D40-40G-G2 ²⁾ |
| EMMT-AS-60-..., EMME-AS-60-... EMGA-60-P-G-...-EAS-60 | 60H | 1454242 | EAMM-A-D40-60H |
| With servo motor and right-angle gear unit | | | |
| EMME-AS-40-... EMGA-40-A-G-...-40P | 40G | 2256398 | EAMM-A-D40-40G-G2 ²⁾ |
| EMMT-AS-60-..., EMME-AS-60-... EMGA-60-A-G-...-60P | 60H | 1454242 | EAMM-A-D40-60H |
| With stepper motor | | | |
| EMMS-ST-57-... | 57A | ★ 543154 | EAMM-A-D40-57A |
| Third-party motor | 60AA | 8105929 | EAMM-A-D40-60AA |
| EMMS-ST-87-... | 87A | ★ 550982 | EAMM-A-D40-87A |
| With stepper motor and gear unit | | | |
| EMMS-ST-42-... EMGA-40-P-G-...-SST-42 | 40G | 2256398 | EAMM-A-D40-40G-G2 ²⁾ |
| EMMS-ST-57-... EMGA-60-P-G-...-SST-57 | 60G | 2256400 | EAMM-A-D40-60G |
| With integrated drive | | | |
| EMCA-EC-67-... | 67A | 1454243 | EAMM-A-D40-67A |
| With integrated drive and gear unit | | | |
| EMCA-EC-67-... EMGC-40-... | 40G | 2256398 | EAMM-A-D40-40G-G2 ²⁾ |
| EMCA-EC-67-... EMGC-60-... | 60H | 1454242 | EAMM-A-D40-60H |
| With integrated drive and right-angle gear unit | | | |
| EMCA-EC-67-... EMGC-67-A-G1-SEC-67 | 67A | 1454243 | EAMM-A-D40-67A |
| With third-party gear unit | | | |
| Third-party gear unit | 40G | 2256398 | EAMM-A-D40-40G-G2 ²⁾ |
| Third-party gear unit | 50GA | 8117076 | EAMM-A-D40-50GA |
| Third-party gear unit | 60H | 1454242 | EAMM-A-D40-60H |

1) The input torque must not exceed the max. permissible transferable torque of the axial kit.

2) The axial kit can be retrofitted from IP40 to IP65 with the help of a seal set EADS-F → page 106



Product range overview

Permissible axis/motor combinations with rotary module ERMB, EHMB

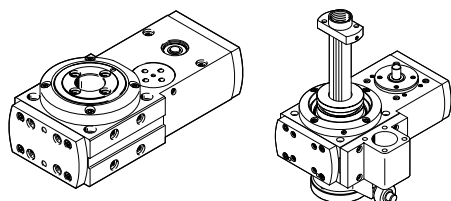


Table of interfaces for third-party motors

→ from page 60

Technical data for axial kits

→ from page 65

| Motor/gear unit ¹⁾ Type | Motor interface | Axial kit | |
|--|-----------------|-----------|---------------------------------|
| | | Part no. | Type |
| ERMB-32, EHMB-32 | | | |
| With servo motor | | | |
| Third-party motor | 70A | 543161 | EAMM-A-D60-70A |
| EMMT-AS-80-..., EMME-AS-80-..., third-party motor | 80P | ★ 1977073 | EAMM-A-D60-80P |
| Third-party motor | 80PB, 80R | 8105937 | EAMM-A-D60-80PB |
| Third-party motor | 84AA | 8105945 | EAMM-A-D60-84AA |
| Third-party motor | 92RA | 8159834 | EAMM-A-D60-92RA |
| EMMT-AS-100-..., EMME-AS-100-..., third-party motor | 100A | ★ 550983 | EAMM-A-D60-100A |
| With servo motor and gear unit | | | |
| EMMT-AS-60-..., EMME-AS-60-... EMGA-60-P-G...-EAS-60 | 60H | 1454245 | EAMM-A-D60-60H |
| EMMT-AS-80-..., EMME-AS-80-... EMGA-80-P-G...-EAS-80 | 80G | 1499402 | EAMM-A-D60-80G |
| EMMT-AS-100-..., EMME-AS-100-... EMGA-80-P-G...-SAS-100 | 80G | 1499402 | EAMM-A-D60-80G |
| With servo motor and right-angle gear unit | | | |
| EMMT-AS-60-..., EMME-AS-60-... EMGA-60-A-G...-60P | 60H | 1454245 | EAMM-A-D60-60H |
| EMMT-AS-80-..., EMME-AS-80-... EMGA-80-A-G...-80P | 80G | 1499402 | EAMM-A-D60-80G |
| EMMT-AS-100-..., EMME-AS-100-... EMGA-80-A-G...-100A | 80G | 1499402 | EAMM-A-D60-80G |
| With stepper motor | | | |
| EMMS-ST-87-... | 87A | ★ 543162 | EAMM-A-D60-87A |
| With stepper motor and gear unit | | | |
| EMMS-ST-57-... EMGA-60-P-G...-SST-57 | 60G | 2256696 | EAMM-A-D60-60G-G2 ³⁾ |
| EMMS-ST-87-... EMGA-80-P-G...-SST-87 | 80G | 1499402 | EAMM-A-D60-80G |
| With integrated drive and gear unit | | | |
| EMCA-EC-67-... EMGC-60-... | 60H | 1454245 | EAMM-A-D60-60H |
| With third-party gear unit | | | |
| Third-party gear unit | 60H | 1454245 | EAMM-A-D60-60H |
| Third-party gear unit | 80G | 1499402 | EAMM-A-D60-80G |
| Third-party gear unit | 90GA | 8105944 | EAMM-A-D60-90GA |

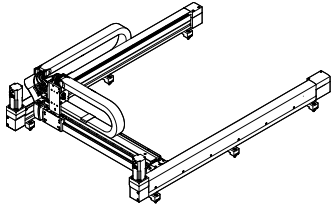
1) The input torque must not exceed the max. permissible transferable torque of the axial kit.

2) The axial kit can be retrofitted from IP40 to IP65 with the help of a seal set EADS-F → page 106.



Product range overview

Permissible axis/motor combinations with planar surface gantry EXCM

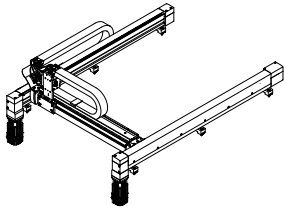


Technical data for axial kits
→ from page 65

| Motor/gear unit ¹⁾ Type | Motor interface | Axial kit | |
|---------------------------------------|-----------------|----------------|-----------------------|
| | | Part no. | Type |
| EXCM-40 | | | |
| With stepper motor | | | |
| EMMS-ST-57-... | 87A | 8165289 | EAMM-A-X48-57A |

1) The input torque must not exceed the max. permissible transferable torque of the axial kit.

Permissible axis/motor combinations with planar surface gantry EXCH



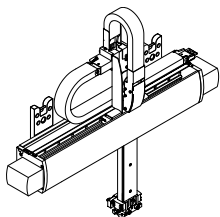
Technical data for axial kits
→ from page 65

| Motor/gear unit ¹⁾ Type | Motor interface | Axial kit | |
|---------------------------------------|-----------------|----------------|------------------------|
| | | Part no. | Type |
| EXCH-40 | | | |
| With servo motor | | | |
| EMMT-AS-80-... | 80P | 8164654 | EAMM-A-X48-80P |
| EXCH-60 | | | |
| With servo motor | | | |
| EMMT-AS-100-... | 100A | 8164656 | EAMM-A-X62-100A |
| EMMT-AS-150-... | 150A | 8164657 | EAMM-A-X62-150A |

1) The input torque must not exceed the max. permissible transferable torque of the axial kit.

Product range overview

Permissible axis/motor combinations with linear gantry EXCT



Technical data for axial kits
→ from page 65

| Motor/gear unit ¹⁾ Type | Motor interface | Axial kit | |
|---------------------------------------|-----------------|----------------|---------------------------|
| | | Part no. | Type |
| EXCT-15 | | | |
| With servo motor | | | |
| EMMT-AS-80-... | 80P | 8164277 | EAMM-A-L48-80P-G2 |
| EXCT-30 | | | |
| With servo motor | | | |
| EMMT-AS-100-... | 100A | 8164409 | EAMM-A-Y62-100A |
| EXCT-100 | | | |
| With servo motor | | | |
| EMMT-AS-100-... | 100A | 8164276 | EAMM-A-L62-100A-G2 |

1) The input torque must not exceed the max. permissible transferable torque of the axial kit.

Product range overview

| Third-party motors and gear units | | |
|-----------------------------------|-----------------|--|
| Manufacturer | Motor interface | Type |
| Allen-Bradley/Rockwell Automation | 40R | TL-A110; TL-A120; TL-A130; TLY-A110; TLY-A120; TLY-A130 |
| Allen-Bradley/Rockwell Automation | 55A | MPL-A/B1510; MPL-A/B1520; MPL-A/B1530; VPL-A/B-063x |
| Allen-Bradley/Rockwell Automation | 60R | TL-A220; TL-A230; TLY-A220; TLY-A230 |
| Allen-Bradley/Rockwell Automation | 70A | MPL-A/B210; MPL-A/B220; MPL-A/B230; VPL-A/B-075x |
| Allen-Bradley/Rockwell Automation | 80R | TLx-A25 |
| Allen-Bradley/Rockwell Automation | 90R | TLY-A310 |
| Allen-Bradley/Rockwell Automation | 92RA | MPF-B310; MPL-B320; MPL-B330; VPL-A/B1001; VPL-A/B1002; VPL-A/B1003 |
| Allen-Bradley/Rockwell Automation | 100A | VPL-A/B1152; VPL-A/B1153; MPL-A/B420; MPL-A/B430 |
| Allen-Bradley/Rockwell Automation | 108AA | VPL-A/B1303; VPL-A/B1304; VPL-A/B1306; MPL-A/B4530; MPL-A/B4540; MPL-A/B4560 |
| Allen-Bradley/Rockwell Automation | 190A | B640; B660; B690 |
| AMK | 55A | DT3 |
| AMK | 70A | DT4-1; DT4-2 |
| AMK | 100A | DT5-15; DT5-23; DT5-3; DT5-5; DT5-9; DTK5-3 |
| Apex Dynamics INC. | 40G | PG040 |
| Apex Dynamics INC. | 50GA | PE 050 |
| Apex Dynamics INC. | 60H | PG060 |
| Apex Dynamics INC. | 70GA | PE 070 |
| Apex Dynamics INC. | 80G | PG080 |
| Apex Dynamics INC. | 90GA | PE 090 |
| Apex Dynamics INC. | 120GA | PG080A |
| Apex Dynamics INC. | 120GC | PE 120 |
| Apex Dynamics INC. | 160G | PG160 |
| B+R Automation | 40G | 8GP30-040 |
| B+R Automation | 40R | 8LVA1 |
| B+R Automation | 55A | 8LSA2 |
| B+R Automation | 57AA | 80MPF |
| B+R Automation | 58AA | 8JSA2 |
| B+R Automation | 60H | 8GP30-060; 8GP40-060 |
| B+R Automation | 60PA | 8LVA22; 8LVA23 |
| B+R Automation | 70AA | 8JSA3 |
| B+R Automation | 72GA | 8GP60-070 |
| B+R Automation | 80G | 8GP40-080 |
| B+R Automation | 80PA | 8LVA3 |
| B+R Automation | 84AA | 8JSA4 |
| B+R Automation | 88A | 8LSA3; 8MSA3 |
| B+R Automation | 100A | 8LSA4; 8MSA4; 8MSC4 |
| Baumüller | 55A | DSD 028 M; DSD 028 S |
| Baumüller | 70A | DSD 036 M; DSD 036 S |
| Baumüller | 88A | DS 045 L; DS 045 M; DS 045 S; DSC 045 K; DSC 045 M; DSC 045 S; DSCG 045 K; DSCG 045 M; DSCG 045 S; DSD 045 L; DSD 045 M; DSD 045 S |
| Baumüller | 126AA | DSC 056 K; DSC 056 M; DSC 056 S; DSCG 056 K; DSCG 056 M; DSCG 056 S; DSD 056 L; DSD 056 M; DSD 056 S |
| Beckhoff | 40R | AM3011; AM3012; AM3013; AM3111; AM3112; AM8111; AM8113 |
| Beckhoff | 42A | AS1010; AS1020 |
| Beckhoff | 55A | AM227L; AM227M; AM8021; AM8022; AM8023; AM8121; AM8122 |
| Beckhoff | 58AA | AM3021; AM3022; AM3023; AM3024 |
| Beckhoff | 60RB | AM3121 |
| Beckhoff | 70AA | AM3031; AM3032; AM3033; AM8031; AM8032; AM8131; AM8531 |
| Beckhoff | 84AA | AM3041; AM3042; AM3043; AM3044; AM3541; AM3542; AM3543; AM8041; AM8042; AM8043 |
| Beckhoff | 88A | AM247L |
| Beckhoff | 100A | AM257M; AM257S |
| Beckhoff | 104AA | AM8051; AM8052; AM8053 |
| Beckhoff | 108AA | AM3051; AM3052; AM3053; AM3054; AM3551; AM3552; AM3553; AM8051-XXXX-900 |
| Beckhoff | 158AA | AM3062; AM3063; AM3064; AM3065; AM3562; AM3563; AM8061; AM8062; AM8063 |

Product range overview

| Third-party motors and gear units | | |
|-----------------------------------|-----------------|---|
| Manufacturer | Motor interface | Type |
| Bosch Rexroth | 38AA | MSM019A; MSM019B |
| Bosch Rexroth | 40G | GTE040 |
| Bosch Rexroth | 58AA | MKD 025; MSK030B; MSK030C; MS2N03-BXXXN-AXDK0-NNNNN-NN; MS2N03-BXXXN-BXDG0-NNNNN-NN; MS2N03-BXXXN-BXDH1-NNNNE-NN; MS2N03-BXXXN-CXDG0-NNNNN-NN; MS2N03-BXXXN-CXDG1-NNNNN-NN; MS2N03-BXXXN-CXDH0-NNNNN-NN; MS2N03-BXXXN-CXDH1-NNNNN-NN; MS2N03-BXXXN-CXSG1-NNNNN- |
| Bosch Rexroth | 60H | GTE060 |
| Bosch Rexroth | 60P | MSM 031C |
| Bosch Rexroth | 60RA | MSM030B; MSM031B |
| Bosch Rexroth | 68GA | GTM060 |
| Bosch Rexroth | 75GA | GTM075 |
| Bosch Rexroth | 80G | GTE080 |
| Bosch Rexroth | 80P | MSM040B; MSM041B |
| Bosch Rexroth | 82AA | MKD041; MSK040B; MSK040C; MSK043C; MS2N04 |
| Bosch Rexroth | 100A | MSK050B; MSK050C |
| Bosch Rexroth | 115GA | GTM100 |
| Bosch Rexroth | 116AA | MSK061B; MSK061C |
| Bosch Rexroth | 120G | GTE120 |
| Bosch Rexroth | 158AA | MSK070C; MSK070D; MSK070E; MSK071C; MSK071D; MSK071E; MSK075C; MSK075D; MSK075E |
| Bosch Rexroth | 160G | GTE160 |
| Danaher Motion | 40R | AKM1 AK; AKM1 AN |
| Danaher Motion | 58AA | AKM21 AC; AKM21 AN; AKM22 AC; AKM22 AN; AKM23 AC; AKM23 AN; AKM24 AC; AKM24 AN; AKM2x AC/AN |
| Danaher Motion | 60P | AKM2 CK |
| Danaher Motion | 70AA | AKM 31 AC; AKM 31 AN; AKM 32 AC; AKM 32 AN; AKM 33 AC; AKM 33 AN |
| Danaher Motion | 84AA | AKM 41 AC; AKM 41 AN; AKM 42 AC; AKM 42 AN; AKM 43 AC; AKM 43 AN; AKM 44 AC; AKM 44 AN |
| Delta | 80RA | ECMA-C Δ0807 |
| Elau | 55A | SH-055 80 005; SH-055 80 009; SH-055 80 013 |
| Elau | 70A | iSH 070 60 011; iSH 070 60 017; SH-070 60 010; SH-070 60 020; SM-070 xx010; SM-070 xx020 |
| Elau | 70AA | iSH 070 60 022; SH-070 60 030 |
| Elau | 104AA | SH 100 30 100 |
| Fastech | 20AC | EzM2-20 |
| Fastech | 25AA | EzM-25 |
| Fastech | 28AA | EzM2-28 |
| Fastech | 35A | EzM2-35 |
| Fastech | 42A | EzM2-42 |
| Fastech | 57A | EzM2-56 |
| Fastech | 60AA | EzM2-60 |
| Inovance | 40R | ISMH1-10B30 |
| Inovance | 60PA | ISMH1-20B30; ISMH1-40B30 |
| Inovance | 80PA | ISMH1-75B30 |
| Kollmorgen | 40R | AKM11; AKM12; AKM13 |
| Kollmorgen | 55A | DBL2 H00080 |
| Kollmorgen | 58AA | AKM21; AKM22; AKM23; AKM24 |
| Kollmorgen | 70AA | AKM31x-Ax; AKM32x-Ax; AKM33x-Ax |
| Kollmorgen | 84AA | AKM41x-Ax; AKM42x-Ax; AKM43x-Ax; AKM44x-Ax |
| Kollmorgen | 108AA | AKM51x-Ax; AKM52x-Ax; AKM53x-Ax; AKM54x-Ax |
| Kollmorgen | 158AA | AKM62; AKM63; AKM64; AKM65 |
| Lenze | 68GA | GPA00; MPR050-1S GCN |
| Lenze | 70A | MCS 06; MDSKSxx036 |
| Lenze | 75GA | GPA01 |
| Lenze | 88A | MCA 10 FF100; MCS 09; MDSKSxx056 FF100 |
| Lenze | 115GA | GPA02 |
| Lenze | 120GA | GKRO3-2M VAK; GKRO4-2S VAK |
| Mitsubishi | 28M | HC-AQ0335D |
| Mitsubishi | 40R | HF-KE13; HF-KP053; HF-KP13; HF-MP053; HF-MP13; HG-MR13B |
| Mitsubishi | 60PA | HF-KP23; HF-KP43; HK-KT23W; HK-KT43W; HF-KE23; HF-KE43; HF-MP23; HF-MP43; HG-KR43 |
| Mitsubishi | 80PA | HG-KR73; HK-KT7M3W |

Product range overview

| Third-party motors and gear units | | |
|-----------------------------------|-----------------|---|
| Manufacturer | Motor interface | Type |
| Moons | 20AB | 8HYxx (IP20) |
| Moons | 28AA | MS11HS (IP20) |
| Moons | 35AB | MS14HA (IP20) |
| Moons | 42A | MS17HA (IP20) |
| Moons | 57A | MS23HA (IP20) |
| Moons | 60PA | SM601AE4; SM602AE4 |
| Moons | 80PA | SM803AE4 |
| Moons | 87AA | ML34HD (IP20) |
| Neugart | 40G | PLE 040; WPLE 40 |
| Neugart | 50GA | PLPE 50; WPLPE 50 |
| Neugart | 60H | PLE 060; WPLE 60 |
| Neugart | 68GA | PLN 70; WPLN 70 |
| Neugart | 70GA | PLPE 70; WPLPE 70 |
| Neugart | 72GA | PLN 70 (OP14); WPLN 70 (OP14) |
| Neugart | 75GA | PLN 90; WPLN 90 |
| Neugart | 80G | PLE 080; WPLE 80 |
| Neugart | 90GA | PLPE 90; WPLPE 90 |
| Neugart | 115GA | PLN 115; WPLN 115 |
| Neugart | 120G | PLE 120; WPLE 120 |
| Neugart | 120GA | PLE 080-90; WPLE 80-90 |
| Neugart | 120GC | PLPE 120; WPLPE 120 |
| Neugart | 160G | PLE 160 |
| Omron | 40R | R7M-A10030; R88M-K10030H; SGMAY-01A; SGMAY-A5A; SGMAY-C2A; SGMJV-01A; SGMJV-05A |
| Omron | 60P | R88M-1M40030 |
| Omron | 60PA | SGMAH-02; SGMAY-02A; SGMAY-04A; SGMAY-06A; SGMJV-02A; SGMJV-04A |
| Omron | 60RA | R88M-1M20030; R88M-G20030H; R88M-K20030H-S2 |
| Omron | 80P | R88M-1M75030; R88M-G75030H; R88M-K75030 |
| Oriental Motor | 20AA | CVK21 |
| Oriental Motor | 28AA | AR2x; AZ2x; CVK22 |
| Oriental Motor | 35AA | CVK23 |
| Oriental Motor | 42AA | CVK24 |
| Oriental Motor | 42AB | AR4x; AZ4x |
| Oriental Motor | 57A | PKP26 |
| Oriental Motor | 57AD | CVK26 |
| Oriental Motor | 60AB | AR6x; AZ6x |
| Oriental Motor | 85AA | AR9x; AZ9x |
| Panasonic | 38AA | MSMD012J1; MSMF012; MSMF5A |
| Panasonic | 60P | MSMF042 |
| Panasonic | 60RA | MSMF022 |
| Panasonic | 80P | MSMF082 |
| Sanyo Denki | 28AA | SH2281; SH2285 |
| Sanyo Denki | 35A | SH3533; SH3537 |
| Sanyo Denki | 40R | R2EA04008; R2xA04005 |
| Sanyo Denki | 40S | R2AA04003 |
| Sanyo Denki | 40T | R2AA04005; R2AA04010 |
| Sanyo Denki | 60PA | R2AA06040; R2AA06040FX; R2xA06020 |
| Sanyo Denki | 60S | R2AA06010 |
| Sanyo Denki | 60T | R2AA06020 |
| Sanyo Denki | 80PB | R2AA08075 |
| Sanyo Denki | 90R | R2AAB8100 |

Product range overview

| Third-party motors and gear units | | |
|-----------------------------------|-----------------|---|
| Manufacturer | Motor interface | Type |
| Schneider Electric | 40A | BMH 1403 |
| Schneider Electric | 42A | ILP2R421; ILP2R422; ILP2R423 |
| Schneider Electric | 55A | BMH 055; BSH 055 |
| Schneider Electric | 57AA | NEMA23; NEMA24 |
| Schneider Electric | 57AB | BRS 364; BRS 366; IFS 61; IFS 62; ILS1x571; ILS1x572 |
| Schneider Electric | 57AC | BRS 368; IFS 63; ILS1x573 |
| Schneider Electric | 70A | BMH 0701; BMH 0702; BSH 0701; BSH 0702 |
| Schneider Electric | 70AA | BMH 0703; BSH 0703 |
| Schneider Electric | 80G | GBX080 |
| Schneider Electric | 104AA | BSH 1004 |
| Schneider Electric | 116AA | BRH 110 |
| Schneider Electric | 120G | GBX120 |
| SEW Eurodrive | 56GA | PSF 121; PSF 122; PSKF 121; PSKF 122 |
| SEW Eurodrive | 58AA | CMP40 |
| SEW Eurodrive | 68GA | PSC 221; PSC 222; PSF 221; PSF 222; PSKC 221; PSKC 222; PSKF 221; PSKF 222 |
| SEW Eurodrive | 70A | CMP50 |
| SEW Eurodrive | 70GA | PSCZ 221; PSCZ 222; PSKCZ 221; PSKCZ 222 |
| SEW Eurodrive | 75GA | PSC 321; PSC 322; PSF 321; PSF 322; PSKC 321; PSKC 322; PSKF 321; PSKF 322 |
| SEW Eurodrive | 88A | CMP63 |
| SEW Eurodrive | 92RA | WF10 Ø120; WF10DT56 |
| SEW Eurodrive | 100A | CFM71 |
| SEW Eurodrive | 115GA | PSC 521; PSC 522; PSF 521; PSF 522; PSKC 521; PSKC 522; PSKF 521; PSKF 522 |
| SEW Eurodrive | 120GA | RF07 Ø120; SF37 Ø120; WF30 Ø120; WF37 Ø120 |
| SEW Eurodrive | 120GB | RF27 Ø120 |
| SEW Eurodrive | 126AA | CMPZ71 |
| SEW Eurodrive | 190A | CFM112 |
| Siemens | 40R | 1FK2102-0AG...; 1FK2102-1AG... |
| Siemens | 40RA | 1FK7011; 1FK7015 |
| Siemens | 55A | 1FK7022; 1FT6021; 1FT6024 |
| Siemens | 60PA | 1FK2103-2AG...-0...; 1FK2103-2AG...-1...; 1FK2103-4AG...-0...; 1FK2103-4AG...-1...; 1FK2203-2AG...-0...; 1FK2203-2AG...-1...; 1FK2203-4AG...-0...; 1FK2203-4AG...-1...; 1FL603x-2AF21 |
| Siemens | 60RB | 1FK2103-2AG...-2...; 1FK2103-4AG...-2...; 1FK2203-2AG...-2...; 1FK2203-4AG...-2... |
| Siemens | 68GA | SP 060S |
| Siemens | 70AA | 1FT6031; 1FT6034 |
| Siemens | 70AB | 1FK7032; 1FK7033; 1FK7034; 1FT7034; 6SN2155... |
| Siemens | 75GA | SP 075S |
| Siemens | 80PA | 1FK2104-4AK...; 1FK2104-5AK... |
| Siemens | 80RA | 1FL604x-2AF21 |
| Siemens | 84AA | 1FK7040; 1FK7042; 1FK7043; 1FK7044; 1FT6041; 1FT6044; 1FT704x |
| Siemens | 96RB | 1FT7042; 1FT7044; 1FT7046 |
| Siemens | 115GA | SP 100S |
| Siemens | 120GA | BF29-KQ-703 |
| Siemens | 120GB | ZF29-KQ-704; ZF29-KQ-706 |
| Siemens | 126AA | 1FK7060; 1FK7062; 1FK7063; 1FT6061; 1FT6062; 1FT6064; 1FT7062; 1FT7064; 1FT7066; 1FT7068; 1FK2206 |
| Siemens | 158AA | 1FK7080; 1FK7083; 1FK7086; 1FT6081; 1FT6082; 1FT6084; 1FT6086 |

Product range overview

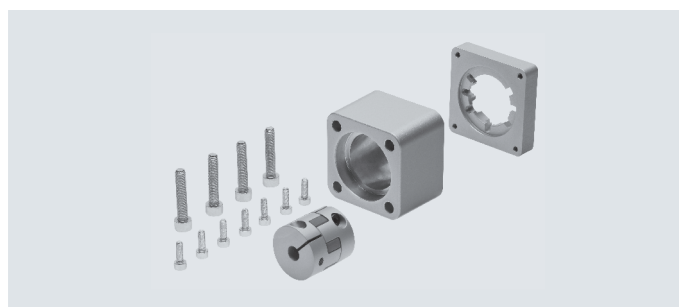
| Third-party motors and gear units | | |
|-----------------------------------|-----------------|--|
| Manufacturer | Motor interface | Type |
| Wittenstein Alpha | 40G | CP 005; CPK 005; alphira CP 040 |
| Wittenstein Alpha | 50GA | NPK 005; LP+ 050 (replaced by NP 005); LPK+ 050 (replaced by NPK 005); LK+ 050; LK+ 050; LP+ 050; LPK+ 050; NP 005 |
| Wittenstein Alpha | 60H | CP 015; CPK 015; alphira CP 060 |
| Wittenstein Alpha | 68GA | SK+ 060; SP+ 060; SPC+ 060; SK+ 060 MF; SP+ 060 MF |
| Wittenstein Alpha | 70GA | NP 015; NPK 015; LP+ 070 (replaced by NP 015); LPK+ 070 (replaced by NPK 015); LK+ 070; LK+ 070; LP+ 070; LPK+ 070 |
| Wittenstein Alpha | 75GA | SK+ 075; SP+ 075; SPK+ 075; SPC+ 075; SK+ 075 MF; SP+ 075 MC; SP+ 075 MF; SPK+ 075 MF |
| Wittenstein Alpha | 80G | CP 025; CPK 025; alphira CP 080 |
| Wittenstein Alpha | 90GA | NP 025; NPK 025; LP+ 090 (replaced by NP 025); LPK+ 090 (replaced by NPK 025); LK+ 090; LK+ 090; LP+ 090; LPK+ 090 |
| Wittenstein Alpha | 115GA | SK+ 100; SP+ 100; SPK+ 100; SPC+ 100; SK+ 100 MF; SP+ 100 MC; SP+ 100 MF; SPK+ 100 MF |
| Wittenstein Alpha | 120G | CP 035; CPK 035; alphira CP 115 |
| Wittenstein Alpha | 120GC | NP 035; NPK 035; LP+ 120 (replaced by NP 035); LPK+ 120 (replaced by NPK 035); LK+ 120; LK+ 120; LP+ 120; LPK+ 120 |
| YASKAWA | 25A | SGMM... |
| YASKAWA | 40R | SGM7J-A5A.A2.; SGM7J-01A.A2.; SGM7J-C2A.A2.; SGM7JA-A5A.A2.; SGM7JA-01A.A2.; SGM7JA-C2A.A2. |
| YASKAWA | 60PA | SGM7J-02A.A2.; SGM7J-04A.A2.; SGM7J-06A.A2. |
| YASKAWA | 60S | SGM7P-01A..2. |
| YASKAWA | 80PA | SGM7J-08A.A2. |

Datasheet

Material:

Coupling housing, coupling hubs, motor flange: Aluminium

Screws: Galvanised steel



| General technical data | | | | | | |
|------------------------|------------------------|-----------------------------|--|--------------------------------|---------------|--------|
| Type | For axis | Transferable torque [Nm] | Mass moment of inertia [kgmm ²] | Max. rotational speed [rpm] | Weight [g] | → Page |
| EAMM-A-D19-28A | EGSL | 1.1 | 0.28 | 10000 | 80 | 74 |
| EAMM-A-D19-38AA | EGSL | 1.1 | 0.28 | 10000 | 121 | |
| EAMM-A-D19-40A | EGSL | 1.1 | 0.28 | 10000 | 110 | |
| EAMM-A-D19-40P | EGSL | 1.1 | 0.28 | 10000 | 110 | |
| EAMM-A-D19-40R | EGSL | 1.1 | 0.28 | 10000 | 133 | |
| EAMM-A-D19-42A | EGSL | 1.1 | 0.28 | 10000 | 130 | |
| EAMM-A-D32-40A | EGSL, ESBF | 1.1 | 0.28 | 10000 | 130 | |
| EAMM-A-D32-40G | EGSL, EHMB, ERMB, ESBF | 6.5 | 5.87 | 8000 | 420 | |
| EAMM-A-D32-40P | EGSL, ESBF | 1.1 | 0.28 | 10000 | 160 | |
| EAMM-A-D32-40R | EGSL, ESBF | 6.5 | 5.87 | 8000 | 309 | |
| EAMM-A-D32-40RA | EGSL, ESBF | 6.5 | 5.87 | 8000 | 309 | |
| EAMM-A-D32-35A-40A | EHMB, ERMB | 4 | 5.87 | 8000 | 220 | |
| EAMM-A-D32-35A-40P | EHMB, ERMB | 4 | 5.87 | 8000 | 160 | |
| EAMM-A-D32-42A | EGSL, EHMB, ERMB, ESBF | 1.1 | 0.28 | 10000 | 140 | |
| EAMM-A-D32-50GA | EGSL, EHMB, ERMB, ESBF | 6.5 | 5.87 | 8000 | 446 | |
| EAMM-A-D32-55A | EGSL, EHMB, ERMB, ESBF | 4 | 5.87 | 8000 | 260 | |
| EAMM-A-D32-58AA | EGSL, EHMB, ERMB, ESBF | 6.5 | 5.87 | 8000 | 329 | |
| EAMM-A-D32-60AA | EGSL, EHMB, ERMB, ESBF | 6.5 | 5.87 | 8000 | 341 | |
| EAMM-A-D32-57A | EGSL, EHMB, ERMB, ESBF | 4 | 5.87 | 8000 | 270 | |
| EAMM-A-D32-60G | EGSL, EHMB, ERMB, ESBF | 6.5 | 5.87 | 8000 | 540 | |
| EAMM-A-D32-60H | EGSL, EHMB, ERMB, ESBF | 6.5 | 5.87 | 8000 | 540 | |
| EAMM-A-D32-60P | EGSL, EHMB, ERMB, ESBF | 4 | 5.87 | 8000 | 410 | |
| EAMM-A-D32-60R | EGSL, EHMB, ERMB, ESBF | 6.5 | 5.87 | 8000 | 386 | |
| EAMM-A-D32-60RA | EGSL, EHMB, ERMB, ESBF | 6.5 | 5.87 | 8000 | 420 | |
| EAMM-A-D32-67A | EGSL, ESBF | 6.5 | 5.87 | 8000 | 410 | |
| EAMM-A-D40-40G-G2 | EGSL, EHMB, ERMB, ESBF | 8 | 5.87 | 8000 | 450 | |
| EAMM-A-D40-50GA | EGSL, EHMB, ERMB, ESBF | 12.5 | 5.87 | 8000 | 438 | |
| EAMM-A-D40-55A | EGSL, EHMB, ERMB, ESBF | 8 | 5.87 | 8000 | 350 | |
| EAMM-A-D40-57A | EGSL, EHMB, ERMB, ESBF | 6 | 5.87 | 8000 | 350 | |
| EAMM-A-D40-58AA | EGSL, EHMB, ERMB, ESBF | 12.5 | 5.87 | 8000 | 354 | |
| EAMM-A-D40-60AA | EGSL, EHMB, ERMB, ESBF | 12.5 | 5.87 | 8000 | 363 | |
| EAMM-A-D40-60G | EGSL, EHMB, ERMB, ESBF | 12.5 | 5.87 | 8000 | 570 | |
| EAMM-A-D40-60H | EGSL, EHMB, ERMB, ESBF | 12.5 | 5.87 | 8000 | 570 | |
| EAMM-A-D40-60P | EGSL, EHMB, ERMB, ESBF | 8 | 5.87 | 8000 | 430 | |
| EAMM-A-D40-60R | EGSL, EHMB, ERMB, ESBF | 12.5 | 5.87 | 8000 | 368 | |
| EAMM-A-D40-60RA | EGSL, EHMB, ERMB, ESBF | 12.5 | 5.87 | 8000 | 336 | |
| EAMM-A-D40-67A | EGSL, EHMB, ERMB, ESBF | 12.5 | 5.87 | 8000 | 440 | |
| EAMM-A-D40-70AA | EGSL, EHMB, ERMB, ESBF | 12.5 | 5.87 | 8000 | 443 | |
| EAMM-A-D40-70A | EGSL, EHMB, ERMB, ESBF | 8 | 5.87 | 8000 | 410 | |
| EAMM-A-D40-87A | EGSL, EHMB, ERMB, ESBF | 8 | 5.87 | 8000 | 530 | |
| EAMM-A-D50-60G | ESBF | 17 | 34.8 | 6000 | 570 | |
| EAMM-A-D50-60H | ESBF | 17 | 34.8 | 6000 | 570 | |
| EAMM-A-D50-70A | ESBF | 12 | 34.8 | 6000 | 740 | |
| EAMM-A-D50-70GA | ESBF | 17 | 34.8 | 6000 | 1018 | |
| EAMM-A-D50-80G | ESBF | 17 | 34.8 | 6000 | 1190 | |

Datasheet

| General technical data | | | | | | |
|------------------------|------------------------|-----------------------------|--|--------------------------------|---------------|--------|
| Type | For axis | Transferable torque [Nm] | Mass moment of inertia [kgmm ²] | Max. rotational speed [rpm] | Weight [g] | → Page |
| EAMM-A-D50-80P | ESBF | 14 | 34.8 | 6000 | 890 | 74 |
| EAMM-A-D50-80PB | ESBF | 17 | 34.8 | 6000 | 892 | |
| EAMM-A-D50-82AA | ESBF | 17 | 34.8 | 6000 | 815 | |
| EAMM-A-D50-84AA | ESBF | 17 | 34.8 | 6000 | 1012 | |
| EAMM-A-D50-87A | ESBF | 12 | 34.8 | 6000 | 860 | |
| EAMM-A-D50-100A | ESBF | 14 | 34.8 | 6000 | 1140 | |
| EAMM-A-D60-60G-G2 | EGSL, EHMB, ERMB, ESBF | 12 | 34.8 | 6000 | 1350 | |
| EAMM-A-D60-60H | EGSL, EHMB, ERMB, ESBF | 17 | 34.8 | 6000 | 1250 | |
| EAMM-A-D60-70A | EGSL, EHMB, ERMB, ESBF | 12 | 34.8 | 6000 | 750 | |
| EAMM-A-D60-80G | EGSL, EHMB, ERMB, ESBF | 17 | 34.8 | 6000 | 1350 | |
| EAMM-A-D60-80P | EGSL, EHMB, ERMB, ESBF | 14 | 34.8 | 6000 | 1040 | |
| EAMM-A-D60-80PB | EGSL, EHMB, ERMB, ESBF | 21 | 34.8 | 6000 | 1041 | |
| EAMM-A-D60-84AA | EGSL, EHMB, ERMB, ESBF | 21 | 34.8 | 6000 | 1173 | |
| EAMM-A-D60-87A | EGSL, EHMB, ERMB, ESBF | 12 | 34.8 | 6000 | 890 | |
| EAMM-A-D60-90GA | EGSL, EHMB, ERMB, ESBF | 21 | 34.8 | 6000 | 2192 | |
| EAMM-A-D60-92RA | EGSL, EHMB, ERMB, ESBF | 21 | 34.8 | 6000 | 1076 | |
| EAMM-A-D60-100A | EGSL, EHMB, ERMB, ESBF | 14 | 34.8 | 6000 | 1170 | |
| EAMM-A-D80-80G | ESBF | 60 | 128 | 5500 | 1990 | |
| EAMM-A-D80-84AA | ESBF | 60 | 128 | 5500 | 1843 | |
| EAMM-A-D80-90GA | ESBF | 60 | 128 | 550 | 2192 | |
| EAMM-A-D80-100A | ESBF | 60 | 128 | 5500 | 2030 | |
| EAMM-A-D80-150A | ESBF | 60 | 128 | 5500 | 3070 | |
| EAMM-A-D100-100A | ESBF | 60 | 128 | 5500 | 2450 | |
| EAMM-A-D100-120G | ESBF | 143 | 280 | 4500 | 3520 | |
| EAMM-A-D100-150A | ESBF | 143 | 280 | 4500 | 3440 | |
| EAMM-A-L27-40G | EGC-TB | 2 | 0.445 | 10000 | 180 | 84 |
| EAMM-A-L27-55A | EGC-TB | 2 | 0.445 | 10000 | 220 | |
| EAMM-A-L27-57A | EGC-TB | 1.6 | 0.355 | 10000 | 180 | |
| EAMM-A-L27-67A | EGC-TB | 2 | 0.445 | 10000 | 290 | |
| EAMM-A-L27-40A | EGC-TB | 1.5 | 0.355 | 10000 | 82 | |
| EAMM-A-L27-40R | EGC-TB | 1.6 | 0.355 | 10000 | 110 | |
| EAMM-A-L27-40RA | EGC-TB | 1.6 | 0.355 | 10000 | 84 | |
| EAMM-A-L27-42A | EGC-TB | 1.2 | 0.45 | 10000 | 157 | |
| EAMM-A-L27-58AA | EGC-TB | 2 | 0.355 | 10000 | 165 | |
| EAMM-A-L27-57AA | EGC-TB | 1.6 | 0.355 | 10000 | 184 | |
| EAMM-A-L27-57AB | EGC-TB | 1.6 | 0.355 | 10000 | 184 | |
| EAMM-A-L27-57AC | EGC-TB | 1.6 | 0.45 | 10000 | 183 | |
| EAMM-A-L27-60RA | EGC-TB | 2 | 0.45 | 10000 | 278 | |
| EAMM-A-L27-60RB | EGC-TB | 2 | 0.45 | 10000 | 221 | |
| EAMM-A-L27-50GA | EGC-TB | 2 | 0.45 | 10000 | 197 | |
| EAMM-A-L27-60G | EGC-TB | 2 | 0.45 | 10000 | 307 | |
| EAMM-A-L38-55A | EGC-TB | 4.4 | 0.445 | 8000 | 210 | |
| EAMM-A-L38-57A | EGC-TB | 3.6 | 3.2 | 8000 | 220 | |
| EAMM-A-L38-60AA | EGC-TB | 8 | 3.2 | 8000 | 231 | |
| EAMM-A-L38-60G | EGC-TB | 4.4 | 3.2 | 8000 | 350 | |
| EAMM-A-L38-60H | EGC-TB | 4.4 | 3.3 | 8000 | 340 | |
| EAMM-A-L38-60P | EGC-TB | 4.4 | 3.3 | 8000 | 300 | |
| EAMM-A-L38-60R | EGC-TB | 9 | 3.2 | 8000 | 298 | |
| EAMM-A-L38-70A | EGC-TB | 4.4 | 3.2 | 8000 | 290 | |
| EAMM-A-L38-87A | EGC-TB | 4.4 | 3.2 | 8000 | 480 | |
| EAMM-A-L38-58AA | EGC-TB | 9 | 3.2 | 8000 | 208 | |

Datasheet

| General technical data | | | | | | |
|------------------------|----------|-----------------------------|--|--------------------------------|---------------|--------|
| Type | For axis | Transferable torque [Nm] | Mass moment of inertia [kgmm ²] | Max. rotational speed [rpm] | Weight [g] | → Page |
| EAMM-A-L38-57AA | EGC-TB | 8 | 3.2 | 8000 | 221 | 84 |
| EAMM-A-L38-60PA | EGC-TB | 9 | 3.3 | 8000 | 301 | |
| EAMM-A-L38-60RB | EGC-TB | 9 | 3.2 | 8000 | 253 | |
| EAMM-A-L38-70AA | EGC-TB | 9 | 3.3 | 8000 | 357 | |
| EAMM-A-L38-88A | EGC-TB | 9 | 3.3 | 8000 | 508 | |
| EAMM-A-L38-84AA | EGC-TB | 9 | 4.6 | 8000 | 712 | |
| EAMM-A-L38-40G | EGC-TB | 9 | 3.2 | 8000 | 259 | |
| EAMM-A-L38-50GA | EGC-TB | 9 | 3.2 | 8000 | 245 | |
| EAMM-A-L38-56GA | EGC-TB | 9 | 3.3 | 8000 | 275 | |
| EAMM-A-L38-70GA | EGC-TB | 9 | 4 | 8000 | 457 | |
| EAMM-A-L38-67GA | EGC-TB | 9 | 4 | 8000 | 363 | |
| EAMM-A-L38-72GA | EGC-TB | 9 | 4 | 8000 | 480 | |
| EAMM-A-L48-60G | EGC-TB | 12.5 | 14.5 | 8000 | 490 | |
| EAMM-A-L48-60H | EGC-TB | 12.5 | 14.5 | 8000 | 430 | |
| EAMM-A-L48-70A | EGC-TB | 12.5 | 14.5 | 8000 | 350 | |
| EAMM-A-L48-80P-G2 | EGC-TB | 17 | 39 | 6000 | 557 | |
| EAMM-A-L48-87A | EGC-TB | 12.5 | 14.5 | 8000 | 590 | |
| EAMM-A-L48-100A-G2 | EGC-TB | 17 | 39 | 6000 | 789 | |
| EAMM-A-L48-55A | EGC-TB | 12.5 | 14.5 | 8000 | 352 | |
| EAMM-A-L48-60PA | EGC-TB | 12.5 | 14.5 | 8000 | 454 | |
| EAMM-A-L48-70AA | EGC-TB | 12.5 | 14.5 | 8000 | 498 | |
| EAMM-A-L48-80PB | EGC-TB | 17 | 39 | 8000 | 560 | |
| EAMM-A-L48-82AA | EGC-TB | 12.5 | 14.5 | 8000 | 613 | |
| EAMM-A-L48-88A | EGC-TB | 12.5 | 14.5 | 8000 | 639 | |
| EAMM-A-L48-90R | EGC-TB | 12.5 | 14.5 | 8000 | 741 | |
| EAMM-A-L48-92RA | EGC-TB | 12.5 | 14.5 | 8000 | 827 | |
| EAMM-A-L48-84AA | EGC-TB | 17 | 39 | 6000 | 925 | |
| EAMM-A-L48-40G | EGC-TB | 12.5 | 14.5 | 8000 | 405 | |
| EAMM-A-L48-50GA | EGC-TB | 12.5 | 14.5 | 8000 | 394 | |
| EAMM-A-L48-56GA | EGC-TB | 12.5 | 14.5 | 8000 | 430 | |
| EAMM-A-L48-70GA | EGC-TB | 12.5 | 14.5 | 8000 | 601 | |
| EAMM-A-L48-75GA | EGC-TB | 17 | 39 | 6000 | 704 | |
| EAMM-A-L48-80G | EGC-TB | 17 | 39 | 6000 | 798 | |
| EAMM-A-L48-68GA | EGC-TB | 12.5 | 14.5 | 8000 | 542 | |
| EAMM-A-L48-72GA | EGC-TB | 12.5 | 14.5 | 8000 | 623 | |
| EAMM-A-L48-90GA | EGC-TB | 17 | 39 | 6000 | 675 | |
| EAMM-A-L48-120GA | EGC-TB | 17 | 39 | 6000 | 656 | |
| EAMM-A-L62-80G | EGC-TB | 47 | 147 | 5500 | 1620 | |
| EAMM-A-L62-100A-G2 | EGC-TB | 47 | 151 | 5500 | 1359 | |
| EAMM-A-L62-150A | EGC-TB | 47 | 151 | 5500 | 2526 | |
| EAMM-A-L62-88A | EGC-TB | 38 | 147 | 5500 | 977 | |
| EAMM-A-L62-84AA | EGC-TB | 60 | 147 | 5500 | 1126 | |
| EAMM-A-L62-108AA | EGC-TB | 60 | 147 | 5500 | 2033 | |
| EAMM-A-L62-56GA | EGC-TB | 38 | 147 | 5500 | 941 | |
| EAMM-A-L62-60H | EGC-TB | 38 | 147 | 5500 | 914 | |
| EAMM-A-L62-70GA | EGC-TB | 48 | 147 | 5500 | 935 | |
| EAMM-A-L62-75GA | EGC-TB | 60 | 147 | 5500 | 1274 | |
| EAMM-A-L62-68GA | EGC-TB | 48 | 147 | 5500 | 1197 | |
| EAMM-A-L62-72GA | EGC-TB | 48 | 147 | 5500 | 1259 | |
| EAMM-A-L62-90GA | EGC-TB | 60 | 147 | 5500 | 1399 | |
| EAMM-A-L62-115GA | EGC-TB | 60 | 147 | 5500 | 2296 | |
| EAMM-A-L62-120G | EGC-TB | 47 | 147 | 5500 | 1798 | |
| EAMM-A-L62-120GA | EGC-TB | 47 | 147 | 5500 | 1274 | |

Datasheet

| General technical data | | | | | | |
|------------------------|--------------------------|-----------------------------|--|--------------------------------|---------------|--------|
| Type | For axis | Transferable torque [Nm] | Mass moment of inertia [kgmm ²] | Max. rotational speed [rpm] | Weight [g] | → Page |
| EAMM-A-L62-120GB | EGC-TB | 47 | 147 | 5500 | 1465 | 84 |
| EAMM-A-L62-120GC | EGC-TB | 47 | 147 | 5500 | 1774 | |
| EAMM-A-L95-80G-G2 | ELGA-TB | 120 | 374 | 4500 | 2771 | 84 |
| EAMM-A-L95-120G-G2 | ELCC-TB, ELGA-TB, EGC-TB | 150 | 374 | 4500 | 2935 | |
| EAMM-A-L95-150A-G2 | ELCC-TB, ELGA-TB, EGC-TB | 143 | 374 | 4500 | 3180 | 84 |
| EAMM-A-L95-190A-G2 | ELGA-TB, EGC-TB | 192 | 374 | 4500 | 4900 | |
| EAMM-A-L95-190B-G2 | ELGA-TB, EGC-TB | 180 | 402 | 4500 | 4500 | |
| EAMM-A-L95-75GA | ELGA-TB, EGC-TB | 133 | 374 | 4500 | 3087 | |
| EAMM-A-L95-68GA | ELGA-TB, EGC-TB | 93 | 374 | 4500 | 2867 | |
| EAMM-A-L95-72GA | ELGA-TB, EGC-TB | 93 | 374 | 4500 | 2867 | |
| EAMM-A-L95-90GA | ELGA-TB, EGC-TB | 133 | 374 | 4500 | 2793 | |
| EAMM-A-L95-115GA | ELGA-TB, EGC-TB | 192 | 374 | 4500 | 3633 | |
| EAMM-A-L95-120GA | ELGA-TB, EGC-TB | 120 | 374 | 4500 | 2635 | |
| EAMM-A-L95-120GB | ELGA-TB, EGC-TB | 150 | 374 | 4500 | 3113 | |
| EAMM-A-L95-120GC | ELGA-TB, EGC-TB | 192 | 374 | 4500 | 3662 | |
| EAMM-A-L95-160G | ELGA-TB, EGC-TB | 192 | 425 | 4500 | 5839 | |
| EAMM-A-M43-60G | EGC-HD-TB | 12.5 | 14.5 | 8000 | 340 | |
| EAMM-A-M43-60H | EGC-HD-TB | 12.5 | 14.5 | 8000 | 330 | |
| EAMM-A-M43-55A | EGC-HD-TB | 12.5 | 14.5 | 8000 | 254 | |
| EAMM-A-M43-70A | EGC-HD-TB | 12.5 | 14.5 | 8000 | 358 | |
| EAMM-A-M43-70AA | EGC-HD-TB | 12.5 | 14.5 | 8000 | 375 | |
| EAMM-A-M43-90R | EGC-HD-TB | 12.5 | 14.5 | 8000 | 510 | |
| EAMM-A-M43-92RA | EGC-HD-TB | 12.5 | 14.5 | 8000 | 687 | |
| EAMM-A-M43-40G | EGC-HD-TB | 12.5 | 14.5 | 8000 | 316 | |
| EAMM-A-M43-50GA | EGC-HD-TB | 12.5 | 14.5 | 8000 | 296 | |
| EAMM-A-M43-56GA | EGC-HD-TB | 12.5 | 14.5 | 8000 | 330 | |
| EAMM-A-M43-70GA | EGC-HD-TB | 12.5 | 14.5 | 8000 | 531 | |
| EAMM-A-M43-68GA | EGC-HD-TB | 12.5 | 14.5 | 8000 | 361 | |
| EAMM-A-M43-72GA | EGC-HD-TB | 12.5 | 14.5 | 8000 | 462 | |
| EAMM-A-M48-60H | EGC-HD-TB | 21 | 39 | 6000 | 320 | |
| EAMM-A-M48-80G | EGC-HD-TB | 21 | 39 | 6000 | 870 | |
| EAMM-A-M48-88A | EGC-HD-TB | 21 | 39 | 6000 | 525 | |
| EAMM-A-M48-84AA | EGC-HD-TB | 17 | 39 | 6000 | 711 | |
| EAMM-A-M48-40G | EGC-HD-TB | 17 | 39 | 6000 | 347 | |
| EAMM-A-M48-50GA | EGC-HD-TB | 17 | 39 | 6000 | 342 | |
| EAMM-A-M48-56GA | EGC-HD-TB | 21 | 39 | 6000 | 390 | |
| EAMM-A-M48-60G | EGC-HD-TB | 17 | 39 | 6000 | 404 | |
| EAMM-A-M48-70GA | EGC-HD-TB | 17 | 39 | 6000 | 493 | |
| EAMM-A-M48-75GA | EGC-HD-TB | 17 | 39 | 6000 | 594 | |
| EAMM-A-M48-68GA | EGC-HD-TB | 17 | 39 | 6000 | 466 | |
| EAMM-A-M48-72GA | EGC-HD-TB | 17 | 39 | 6000 | 517 | |
| EAMM-A-M48-90GA | EGC-HD-TB | 17 | 39 | 6000 | 789 | |
| EAMM-A-M48-120GA | EGC-HD-TB | 17 | 39 | 6000 | 600 | |
| EAMM-A-M80-120G | EGC-HD-TB | 75 | 147 | 5500 | 1370 | |
| EAMM-A-M80-84AA | EGC-HD-TB | 60 | 147 | 5500 | 944 | |
| EAMM-A-M80-75GA | EGC-HD-TB | 60 | 147 | 5500 | 1011 | |
| EAMM-A-M80-80G | EGC-HD-TB | 60 | 147 | 5500 | 771 | |
| EAMM-A-M80-68GA | EGC-HD-TB | 48 | 147 | 5500 | 842 | |
| EAMM-A-M80-90GA | EGC-HD-TB | 60 | 172 | 5500 | 1177 | |
| EAMM-A-M80-115GA | EGC-HD-TB | 60 | 147 | 5500 | 1715 | |
| EAMM-A-M80-120GA | EGC-HD-TB | 60 | 192 | 5500 | 1569 | |
| EAMM-A-M80-120GB | EGC-HD-TB | 60 | 147 | 5500 | 1744 | |
| EAMM-A-M80-120GC | EGC-HD-TB | 60 | 147 | 5500 | 2115 | |

Datasheet

| General technical data | | | | | | |
|------------------------|------------------|-----------------------------|--|--------------------------------|---------------|--------|
| Type | For axis | Transferable torque [Nm] | Mass moment of inertia [kgmm ²] | Max. rotational speed [rpm] | Weight [g] | → Page |
| EAMM-A-N38-60G | ELGA-TB | 12.5 | 14.5 | 8000 | 470 | 84 |
| EAMM-A-N38-60H | ELGA-TB | 12.5 | 14.5 | 8000 | 460 | |
| EAMM-A-N38-70A | ELGA-TB | 12.5 | 14.5 | 8000 | 430 | |
| EAMM-A-N38-87A | ELGA-TB | 12.5 | 14.5 | 8000 | 646 | |
| EAMM-A-N38-60PA | ELGA-TB | 12.5 | 14.5 | 8000 | 439 | |
| EAMM-A-N38-60RA | ELGA-TB | 12.5 | 14.5 | 8000 | 396 | |
| EAMM-A-N38-70AA | ELGA-TB | 12.5 | 14.5 | 8000 | 461 | |
| EAMM-A-N38-88A | ELGA-TB | 12.5 | 14.5 | 8000 | 594 | |
| EAMM-A-N38-90R | ELGA-TB | 12.5 | 14.5 | 8000 | 716 | |
| EAMM-A-N38-92RA | ELGA-TB | 12.5 | 14.5 | 8000 | 810 | |
| EAMM-A-N38-40G | ELGA-TB | 12.5 | 14.5 | 8000 | 411 | |
| EAMM-A-N38-50GA | ELGA-TB | 12.5 | 14.5 | 8000 | 392 | |
| EAMM-A-N38-56GA | ELGA-TB | 12.5 | 14.5 | 8000 | 414 | |
| EAMM-A-N38-70GA | ELGA-TB | 12.5 | 14.5 | 8000 | 712 | |
| EAMM-A-N38-68GA | ELGA-TB | 12.5 | 14.5 | 8000 | 454 | |
| EAMM-A-N38-72GA | ELGA-TB | 12.5 | 14.5 | 8000 | 605 | |
| EAMM-A-N48-60G | ELCC-TB, ELGA-TB | 12.5 | 14.5 | 8000 | 509 | 84 |
| EAMM-A-N48-60H | ELCC-TB, ELGA-TB | 12.5 | 14.5 | 8000 | 470 | |
| EAMM-A-N48-80G | ELCC-TB, ELGA-TB | 21 | 39 | 6000 | 1080 | |
| EAMM-A-N48-80P | ELCC-TB | 17 | 39 | 6000 | 852 | 84 |
| EAMM-A-N48-80PB | ELGA-TB | 17 | 39 | 6000 | 613 | 84 |
| EAMM-A-N48-100A | ELCC-TB, ELGA-TB | 17 | 39 | 6000 | 1070 | 84 |
| EAMM-A-N48-60PA | ELGA-TB | 21 | 39 | 6000 | 558 | 84 |
| EAMM-A-N48-70AA | ELGA-TB | 21 | 39 | 6000 | 592 | |
| EAMM-A-N48-80P | ELGA-TB | 17 | 39 | 6000 | 883 | |
| EAMM-A-N48-80PB | ELGA-TB | 17 | 39 | 6000 | 613 | |
| EAMM-A-N48-88A | ELGA-TB | 21 | 39 | 6000 | 807 | |
| EAMM-A-N48-84AA | ELGA-TB | 17 | 39 | 6000 | 1139 | |
| EAMM-A-N48-50GA | ELGA-TB | 17 | 39 | 6000 | 519 | |
| EAMM-A-N48-56GA | ELGA-TB | 21 | 39 | 6000 | 577 | |
| EAMM-A-N48-70GA | ELGA-TB | 17 | 39 | 6000 | 772 | |
| EAMM-A-N48-75GA | ELGA-TB | 17 | 39 | 6000 | 756 | |
| EAMM-A-N48-68GA | ELGA-TB | 17 | 39 | 6000 | 627 | |
| EAMM-A-N48-72GA | ELGA-TB | 17 | 39 | 6000 | 679 | |
| EAMM-A-N48-90GA | ELGA-TB | 17 | 39 | 6000 | 1279 | |
| EAMM-A-N48-120GA | ELGA-TB | 17 | 39 | 6000 | 1016 | |
| EAMM-A-N80-80G | ELCC-TB, ELGA-TB | 47 | 147 | 5500 | 1290 | |
| EAMM-A-N80-120G | ELGA-TB | 47 | 147 | 5500 | 1990 | 84 |
| EAMM-A-N80-150A | ELCC-TB, ELGA-TB | 47 | 151 | 5500 | 2410 | 84 |
| EAMM-A-N80-84AA | ELGA-TB | 47 | 147 | 5500 | 1409 | 84 |
| EAMM-A-N80-100A | ELGA-TB | 47 | 147 | 5500 | 1461 | |
| EAMM-A-N80-70GA | ELGA-TB | 48 | 147 | 5500 | 1289 | |
| EAMM-A-N80-75GA | ELGA-TB | 47 | 147 | 5500 | 1651 | |
| EAMM-A-N80-68GA | ELGA-TB | 48 | 147 | 5500 | 1241 | |
| EAMM-A-N80-72GA | ELGA-TB | 48 | 147 | 5500 | 1289 | |
| EAMM-A-N80-90GA | ELGA-TB | 47 | 147 | 5500 | 1698 | |
| EAMM-A-N80-115GA | ELGA-TB | 47 | 147 | 5500 | 2092 | |
| EAMM-A-N80-120GA | ELGA-TB | 47 | 147 | 5500 | 2307 | |
| EAMM-A-N80-120GB | ELGA-TB | 47 | 147 | 5500 | 2143 | |
| EAMM-A-N80-120GC | ELGA-TB | 47 | 147 | 5500 | 2514 | |

Datasheet

| General technical data | | | | | | |
|------------------------|----------------------------|-----------------------------|--|--------------------------------|---------------|--------|
| Type | For axis | Transferable torque [Nm] | Mass moment of inertia [kgmm ²] | Max. rotational speed [rpm] | Weight [g] | → Page |
| EAMM-A-S38-40A-G2 | EGC-BS, EGC-HD-BS, ELGA-BS | 6.5 | 5.87 | 8000 | 270 | 92 |
| EAMM-A-S38-40G-G2 | EGC-BS, EGC-HD-BS, ELGA-BS | 6.5 | 5.87 | 8000 | 410 | |
| EAMM-A-S38-40P-G2 | EGC-BS, EGC-HD-BS, ELGA-BS | 6.5 | 5.87 | 8000 | 280 | |
| EAMM-A-S38-42A-G2 | EGC-BS, EGC-HD-BS, ELGA-BS | 3.5 | 5.87 | 8000 | 310 | |
| EAMM-A-S38-50GA | EGC-BS, EGC-HD-BS, ELGA-BS | 6.5 | 5.87 | 8000 | 362 | |
| EAMM-A-S38-55A-G2 | EGC-BS, EGC-HD-BS, ELGA-BS | 6.5 | 5.87 | 8000 | 340 | |
| EAMM-A-S38-57A-G2 | EGC-BS, EGC-HD-BS, ELGA-BS | 6.5 | 5.87 | 8000 | 340 | |
| EAMM-A-S38-58AA | EGC-BS, EGC-HD-BS, ELGA-BS | 6.5 | 5.87 | 8000 | 339 | |
| EAMM-A-S38-60AA | EGC-BS, EGC-HD-BS, ELGA-BS | 6.5 | 5.87 | 8000 | 365 | |
| EAMM-A-S38-60R | EGC-BS, EGC-HD-BS, ELGA-BS | 6.5 | 5.87 | 8000 | 358 | |
| EAMM-A-S38-60RA | EGC-BS, EGC-HD-BS, ELGA-BS | 6.5 | 5.87 | 8000 | 401 | |
| EAMM-A-S38-60P-G2 | EGC-BS, EGC-HD-BS, ELGA-BS | 6.5 | 5.87 | 8000 | 420 | |
| EAMM-A-S38-67A-G2 | EGC-BS, EGC-HD-BS, ELGA-BS | 6.5 | 5.87 | 8000 | 492 | |
| EAMM-A-S48-40G-G2 | EGC-BS, EGC-HD-BS, ELGA-BS | 12.5 | 5.87 | 8000 | 420 | |
| EAMM-A-S48-50GA | EGC-BS, EGC-HD-BS, ELGA-BS | 12.5 | 5.87 | 8000 | 406 | |
| EAMM-A-S48-55A-G2 | EGC-BS, EGC-HD-BS, ELGA-BS | 12.5 | 5.87 | 8000 | 370 | |
| EAMM-A-S48-57A-G2 | EGC-BS, EGC-HD-BS, ELGA-BS | 6.5 | 5.87 | 8000 | 570 | |
| EAMM-A-S48-58AA | EGC-BS, EGC-HD-BS, ELGA-BS | 12.5 | 5.87 | 8000 | 373 | |
| EAMM-A-S48-60AA | EGC-BS, EGC-HD-BS, ELGA-BS | 12.5 | 5.87 | 8000 | 415 | |
| EAMM-A-S48-60G-G2 | EGC-BS, EGC-HD-BS, ELGA-BS | 12.5 | 5.87 | 8000 | 440 | |
| EAMM-A-S48-60H-G2 | EGC-BS, EGC-HD-BS, ELGA-BS | 12.5 | 5.87 | 8000 | 430 | |
| EAMM-A-S48-60P-G2 | EGC-BS, EGC-HD-BS, ELGA-BS | 12.5 | 5.87 | 8000 | 440 | |
| EAMM-A-S48-60R | EGC-BS, EGC-HD-BS, ELGA-BS | 12.5 | 5.87 | 8000 | 478 | |
| EAMM-A-S48-RA | EGC-BS, EGC-HD-BS, ELGA-BS | 12.5 | 5.87 | 8000 | 476 | |
| EAMM-A-S48-70A-G2 | EGC-BS, EGC-HD-BS, ELGA-BS | 12.5 | 5.87 | 8000 | 450 | |
| EAMM-A-S48-70AA | EGC-BS, EGC-HD-BS, ELGA-BS | 12.5 | 5.87 | 8000 | 498 | |
| EAMM-A-S48-87A-G2 | EGC-BS, EGC-HD-BS, ELGA-BS | 12.5 | 5.87 | 8000 | 590 | |
| EAMM-A-S62-60G-G2 | EGC-BS, EGC-HD-BS, ELGA-BS | 21 | 42.3 | 6500 | 1110 | |
| EAMM-A-S62-60H-G2 | EGC-BS, EGC-HD-BS, ELGA-BS | 21 | 42.3 | 6500 | 1100 | |
| EAMM-A-S62-70A-G2 | EGC-BS, EGC-HD-BS, ELGA-BS | 17 | 45.5 | 6000 | 1040 | |
| EAMM-A-S62-70GA | EGC-BS, EGC-HD-BS, ELGA-BS | 17 | 34.8 | 6000 | 1109 | |
| EAMM-A-S62-80G-G2 | EGC-BS, EGC-HD-BS, ELGA-BS | 17 | 34.8 | 6000 | 1180 | |
| EAMM-A-S62-80P-G2 | EGC-BS, EGC-HD-BS, ELGA-BS | 17 | 34.8 | 6000 | 970 | |
| EAMM-A-S62-80PB | EGC-BS, EGC-HD-BS, ELGA-BS | 17 | 34.8 | 6000 | 978 | |
| EAMM-A-S62-82AA | EGC-BS, EGC-HD-BS, ELGA-BS | 21 | 34.8 | 6000 | 1050 | |
| EAMM-A-S62-84AA | EGC-BS, EGC-HD-BS, ELGA-BS | 17 | 34.8 | 6000 | 1037 | |
| EAMM-A-S62-87A-G2 | EGC-BS, EGC-HD-BS, ELGA-BS | 17 | 45.5 | 6000 | 1150 | |
| EAMM-A-S62-100A-G2 | EGC-BS, EGC-HD-BS, ELGA-BS | 17 | 34.8 | 6000 | 1240 | |
| EAMM-A-S62-150A-G2 | EGC-BS, EGC-HD-BS, ELGA-BS | 17 | 34.8 | 6000 | 2160 | |
| EAMM-A-S95-84AA | EGC-BS, EGC-HD-BS, ELGA-BS | 60 | 128 | 5500 | 3063 | |
| EAMM-A-S95-90GA | EGC-BS, EGC-HD-BS, ELGA-BS | 60 | 128 | 5500 | 3201 | |
| EAMM-A-S95-100A-G2 | EGC-BS, EGC-HD-BS, ELGA-BS | 60 | 128 | 5500 | 2880 | |
| EAMM-A-S95-150A-G2 | EGC-BS, EGC-HD-BS, ELGA-BS | 60 | 128 | 5500 | 3770 | |
| EAMM-A-P3-28D-28A | EGSK | 0.2 | 0.28 | 10000 | 30 | 100 |
| EAMM-A-P3-28D-40P | EGSK | 0.2 | 0.28 | 10000 | 60 | |
| EAMM-A-P4-28B-28A | EGSK | 0.7 | 0.28 | 10000 | 40 | |
| EAMM-A-P4-28B-38AA | EGSK | 0.7 | 0.28 | 1000 | 59 | |
| EAMM-A-P4-28B-40A | EGSK | 0.7 | 0.28 | 10000 | 50 | |
| EAMM-A-P4-28B-40P | EGSK | 0.7 | 0.28 | 10000 | 50 | |
| EAMM-A-P4-28B-40R | EGSK | 1.1 | 0.28 | 10000 | 71 | |
| EAMM-A-P4-28B-40RA | EGSK | 1.1 | 0.28 | 10000 | 50 | |
| EAMM-A-P4-28B-42A | EGSK | 0.7 | 0.28 | 10000 | 60 | |

Datasheet

| General technical data | | | | | | |
|------------------------|------------|-----------------------------|--|--------------------------------|---------------|--------|
| Type | For axis | Transferable torque [Nm] | Mass moment of inertia [kgmm ²] | Max. rotational speed [rpm] | Weight [g] | → Page |
| EAMM-A-P5-28B-28A | EGSK | 1.1 | 0.28 | 10000 | 40 | 100 |
| EAMM-A-P5-28B-38AA | EGSK | 1.1 | 0.28 | 10000 | 59 | |
| EAMM-A-P5-28B-40A | EGSK | 1.1 | 0.28 | 10000 | 50 | |
| EAMM-A-P5-28B-40P | EGSK | 1.1 | 0.28 | 10000 | 50 | |
| EAMM-A-P5-28B-40R | EGSK | 1.1 | 0.28 | 10000 | 71 | |
| EAMM-A-P5-28B-RA | EGSK | 1.1 | 0.28 | 10000 | 49 | |
| EAMM-A-P5-28B-42A | EGSK | 1.1 | 0.28 | 10000 | 60 | |
| EAMM-A-P6-38A-40A | EGSK | 6.5 | 5.87 | 8000 | 100 | |
| EAMM-A-P6-38A-40G | EGSK | 6.5 | 5.87 | 8000 | 190 | |
| EAMM-A-P6-38A-40P | EGSK | 6.5 | 5.87 | 8000 | 110 | |
| EAMM-A-P6-38A-42A | EGSK | 3.5 | 5.87 | 8000 | 160 | |
| EAMM-A-P6-38A-55A | EGSK | 6.5 | 5.87 | 8000 | 130 | |
| EAMM-A-P6-38A-57A | EGSK | 6.5 | 5.87 | 8000 | 130 | |
| EAMM-A-P6-38A-58AA | EGSK | 6.5 | 5.87 | 8000 | 133 | |
| EAMM-A-P6-38A-60P | EGSK | 6.5 | 5.87 | 8000 | 210 | |
| EAMM-A-P6-38A-60R | EGSK | 6.5 | 5.87 | 8000 | 210 | |
| EAMM-A-P6-38A-60RA | EGSK | 6.5 | 5.87 | 8000 | 209 | |
| EAMM-A-P6-38A-67A | EGSK | 6.5 | 5.87 | 8000 | 230 | |
| EAMM-A-P8-38A-40A | EGSK | 6.5 | 5.87 | 8000 | 100 | |
| EAMM-A-P8-38A-40G | EGSK | 12.5 | 5.87 | 8000 | 190 | |
| EAMM-A-P8-38A-40P | EGSK | 12.5 | 5.87 | 8000 | 110 | |
| EAMM-A-P8-38A-42A | EGSK | 3.5 | 5.87 | 8000 | 160 | |
| EAMM-A-P8-38A-55A | EGSK | 12.5 | 5.87 | 8000 | 130 | |
| EAMM-A-P8-38A-57A | EGSK | 6.5 | 5.87 | 8000 | 130 | |
| EAMM-A-P8-38A-58AA | EGSK | 12.5 | 5.87 | 8000 | 185 | |
| EAMM-A-P8-38A-60P | EGSK | 12.5 | 5.87 | 8000 | 210 | |
| EAMM-A-P8-38A-67A | EGSK | 12.5 | 5.87 | 8000 | 230 | |
| EAMM-A-P8-38A-60AA | EGSK | 12.5 | 5.87 | 8000 | 146 | |
| EAMM-A-P8-38A-60R | EGSK | 12.5 | 5.87 | 8000 | 145 | |
| EAMM-A-P8-38A-60RA | EGSK | 12.5 | 5.87 | 8000 | 149 | |
| EAMM-A-P8-38A-70A | EGSK | 12.5 | 5.87 | 8000 | 200 | |
| EAMM-A-P8-38A-87A | EGSK | 12.5 | 5.87 | 8000 | 380 | |
| EAMM-A-R27-40G | ELGG, ELGR | 2 | 0.445 | 10000 | 240 | 103 |
| EAMM-A-R27-55A | ELGG, ELGR | 2 | 0.445 | 10000 | 170 | |
| EAMM-A-R27-57A | ELGG, ELGR | 1.6 | 0.355 | 10000 | 170 | |
| EAMM-A-R27-67A | ELGG, ELGR | 2 | 0.445 | 10000 | 280 | |
| EAMM-A-R38-40G | ELGG, ELGR | 9 | 3.2 | 8000 | 330 | |
| EAMM-A-R38-57A | ELGG, ELGR | 3.6 | 3.2 | 8000 | 280 | |
| EAMM-A-R38-60P | ELGG, ELGR | 4.4 | 3.3 | 8000 | 350 | |
| EAMM-A-R38-60G | ELGG, ELGR | 4.4 | 3.2 | 8000 | 390 | |
| EAMM-A-R38-60H | ELGG, ELGR | 4.4 | 3.3 | 8000 | 480 | |
| EAMM-A-R38-70A | ELGG, ELGR | 4.4 | 3.2 | 8000 | 350 | |
| EAMM-A-R38-87A | ELGG, ELGR | 4.4 | 3.2 | 8000 | 530 | |
| EAMM-A-R48-60G | ELGG, ELGR | 12.5 | 14.5 | 8000 | 480 | |
| EAMM-A-R48-60H | ELGG, ELGR | 12.5 | 14.5 | 8000 | 480 | |
| EAMM-A-R48-70A | ELGG, ELGR | 12.5 | 14.5 | 8000 | 450 | |
| EAMM-A-R48-80P | ELGG, ELGR | 17 | 39 | 6000 | 710 | |
| EAMM-A-R48-87A | ELGG, ELGR | 12.5 | 14.5 | 8000 | 590 | |
| EAMM-A-R48-100A | ELGG, ELGR | 17 | 39 | 6000 | 970 | |

Datasheet

| General technical data | | | | | | | |
|------------------------|------------------------------|-----------------------------|--|--------------------------------|---------------|--------|-----|
| Type | For axis | Transferable torque [Nm] | Mass moment of inertia [kgmm ²] | Max. rotational speed [rpm] | Weight [g] | → Page | |
| EAMM-A-T42-55A | EGSC, ELGC-BS, ELGC-TB | 8.5 | 3.2 | 8000 | 328 | 98 | |
| EAMM-A-T42-57A | EPCC, EGSC, ELGC-BS, ELGC-TB | 6.0 | 3.2 | 8000 | 330 | | |
| EAMM-A-T42-58AA | EGSC, ELGC-BS, ELGC-TB | 8.5 | 3.2 | 8000 | 310 | | |
| EAMM-A-T42-60AA | EPCC, EGSC, ELGC-BS, ELGC-TB | 7.5 | 3.2 | 8000 | 315 | | |
| EAMM-A-T42-60AB | EPCC, EGSC, ELGC-BS, ELGC-TB | 9.5 | 3.2 | 8000 | 314 | | |
| EAMM-A-T42-60P | EPCC, EGSC, ELGC-BS, ELGC-TB | 10 | 3.2 | 8000 | 330 | | |
| EAMM-A-T42-60R | EPCC, EGSC, ELGC-BS, ELGC-TB | 10 | 3.2 | 8000 | 349 | | |
| EAMM-A-T42-60RA | EPCC, EGSC, ELGC-BS, ELGC-TB | 10 | 3.2 | 8000 | 348 | | |
| EAMM-A-T42-67A | EGSC, ELGC-BS, ELGC-TB | 8.5 | 3.2 | 8000 | 377 | | |
| EAMM-A-T42-80P | EPCC, EGSC, ELGC-BS, ELGC-TB | 10 | 5.8 | 8000 | 500 | | |
| EAMM-A-T42-87A | EPCC, EGSC, ELGC-BS, ELGC-TB | 10 | 3.2 | 8000 | 400 | | |
| EAMM-A-T46-60P | ELGC-BS, ELGC-TB, ELGT-BS | 10 | 3.2 | 8000 | 410 | | |
| EAMM-A-T46-60R | ELGC-BS, ELGC-TB, ELGT-BS | 10 | 3.2 | 8000 | 413 | | |
| EAMM-A-T46-60RA | ELGC-BS, ELGC-TB, ELGT-BS | 10 | 3.2 | 8000 | 412 | | |
| EAMM-A-T46-67A | ELGC-BS, ELGC-TB, ELGT-BS | 8.5 | 3.2 | 8000 | 478 | | |
| EAMM-A-T46-70A | ELGC-BS, ELGC-TB, ELGT-BS | 10 | 3.2 | 8000 | 574 | | |
| EAMM-A-T46-70AA | ELGC-BS, ELGC-TB, ELGT-BS | 10 | 3.2 | 8000 | 601 | | |
| EAMM-A-T46-80P | ELGC-BS, ELGC-TB, ELGT-BS | 10 | 5.8 | 8000 | 840 | | |
| EAMM-A-T46-80PA | ELGC-BS, ELGC-TB, ELGT-BS | 10 | 7.5 | 8000 | 917 | | |
| EAMM-A-T46-80PB | ELGC-BS, ELGC-TB, ELGT-BS | 10 | 7.9 | 8000 | 923 | | |
| EAMM-A-T46-85AA | ELGC-BS, ELGC-TB, ELGT-BS | 10 | 3.2 | 8000 | 817 | | |
| EAMM-A-T46-57A | ELGC-BS, ELGC-TB, ELGT-BS | 6 | 3.2 | 8000 | 395 | | |
| EAMM-A-T46-87A | ELGC-BS, ELGC-TB, ELGT-BS | 10 | 3.2 | 8000 | 630 | | |
| EAMM-A-T46-100A | ELGC-BS, ELGC-TB, ELGT-BS | 10 | 5.8 | 8000 | 1080 | | |
| EAMM-A-V20-28A | EPCC, EGSC | 0.2 | 0.022 | 10000 | 27 | | |
| EAMM-A-V20-28AA | EPCC, EGSC | 0.2 | 0.022 | 10000 | 25 | | |
| EAMM-A-V25-38AA | EPCC, EGSC, ELGC-BS | 0.5 | 0.19 | 10000 | 94 | | |
| EAMM-A-V25-40P | EPCC, EGSC, ELGC-BS | 0.5 | 0.19 | 10000 | 90 | | |
| EAMM-A-V25-40R | EPCC, EGSC, ELGC-BS | 0.5 | 0.19 | 10000 | 107 | | |
| EAMM-A-V25-40RA | EPCC, EGSC, ELGC-BS | 0.5 | 0.19 | 10000 | 94 | | |
| EAMM-A-V25-42A | EPCC, EGSC, ELGC-BS | 0.5 | 0.19 | 10000 | 83 | | |
| EAMM-A-V25-42AB | EPCC, EGSC, ELGC-BS | 0.5 | 0.19 | 10000 | 75 | | |
| EAMM-A-V32-38AA | EPCC, EGSC, ELGC-BS, ELGC-TB | 1.5 | 0.18 | 10000 | 112 | | |
| EAMM-A-V32-40P | EPCC, EGSC, ELGC-BS, ELGC-TB | 1.5 | 0.19 | 10000 | 110 | | |
| EAMM-A-V32-40R | EPCC, EGSC, ELGC-BS, ELGC-TB | 1.5 | 0.19 | 10000 | 131 | | |
| EAMM-A-V32-40RA | EPCC, EGSC, ELGC-BS, ELGC-TB | 1.5 | 0.19 | 10000 | 114 | | |
| EAMM-A-V32-42A | EPCC, EGSC, ELGC-BS, ELGC-TB | 1.0 | 0.19 | 10000 | 120 | | |
| EAMM-A-V32-42AB | EPCC, EGSC, ELGC-BS, ELGC-TB | 1.0 | 0.19 | 10000 | 130 | | |
| EAMM-A-V32-57A | EPCC, EGSC, ELGC-BS, ELGC-TB | 1.5 | 0.19 | 10000 | 180 | | |
| EAMM-A-V32-58AA | EPCC, EGSC, ELGC-BS, ELGC-TB | 1.5 | 1.06 | 10000 | 1192 | | |
| EAMM-A-V32-60AA | EPCC, EGSC, ELGC-BS, ELGC-TB | 1.5 | 0.19 | 10000 | 203 | | |
| EAMM-A-V32-60P | EPCC, EGSC, ELGC-BS, ELGC-TB | 1.5 | 1.00 | 10000 | 210 | | |
| EAMM-A-V32-60PA | EPCC, EGSC, ELGC-BS, ELGC-TB | 1.5 | 1.00 | 10000 | 243 | | |
| EAMM-A-V32-60RA | EPCC, EGSC, ELGC-BS, ELGC-TB | 1.5 | 1.00 | 10000 | 243 | | |
| EAMM-A-X48-57A | EXCM, EXCH | 7.5 | 6.1 | 8000 | 614 | | 105 |
| EAMM-A-X48-80P | EXCM, EXCH | 17 | 34.8 | 6000 | 821 | | |
| EAMM-A-X62-100A | EXCH | 47 | 151 | 5500 | 1428 | | |
| EAMM-A-X62-150A | EXCH | 47 | 151 | 5500 | 2340 | | |
| EAMM-A-Y62-100A | EXCT | 17 | 39 | 6000 | 1047 | 105 | |

Datasheet

| Operating and environmental conditions | | |
|--|------|--------------------|
| Ambient temperature | [°C] | -10 ... +60 |
| Storage temperature | [°C] | -25 ... +60 |
| Degree of protection ¹⁾ | | |
| EAMM-A-... | | IP40 |
| EAMM-A-...S1 | | IP65 |
| Relative humidity | [%] | 0 ... 95 |
| Corrosion resistance class CRC ²⁾ | | 1 |
| Note on materials | | RoHS-compliant |
| LABS (PWIS) conformity | | |
| EAMM-A-... | | VDMA24364-B2-L |
| EAMM-A-D19-... | | VDMA24364 zone III |
| EAMM-A-D-...S1 | | VDMA24364 zone III |

1) Only in combination with attached motor and axis

2) Corrosion resistance class CRC 1 to Festo standard FN 940070

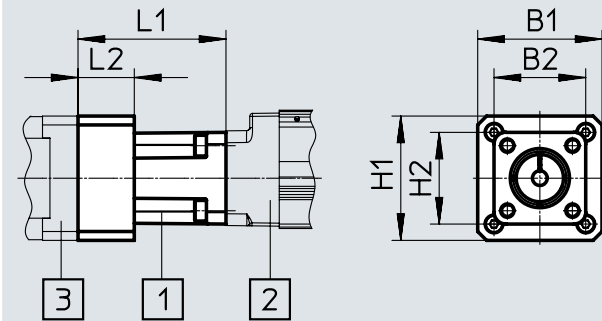
Low corrosion stress. Dry indoor application and/or protection during transport and storage. Also applies to parts behind covers, in the non-visible interior area, or parts that are covered in the application (e.g. drive trunnions).

Datasheet

Dimensions (sample illustration)

Download CAD data → www.festo.com

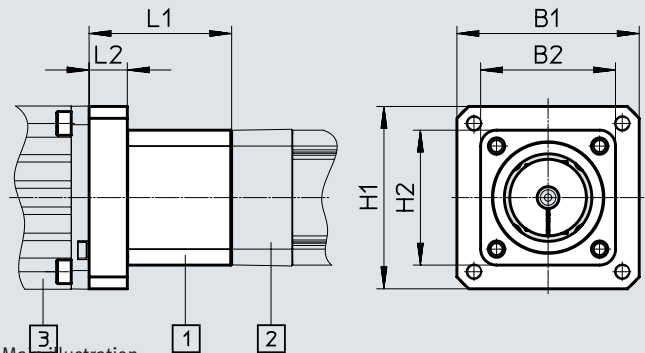
EGSL...



Main illustration:

- [1] Axial kit
- [2] Mini slide
- [3] Motor

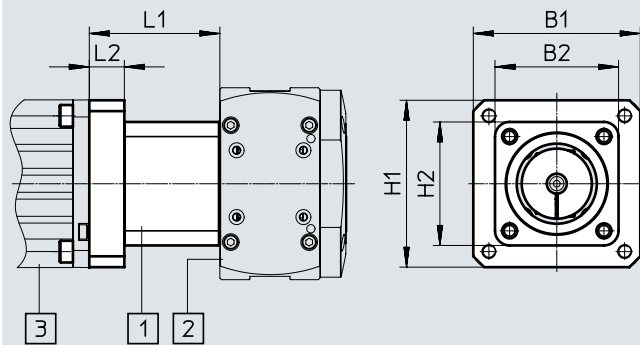
ESBF... with degree of protection IP40



Main illustration:

- [1] Axial kit
- [2] Electric cylinder
- [3] Motor

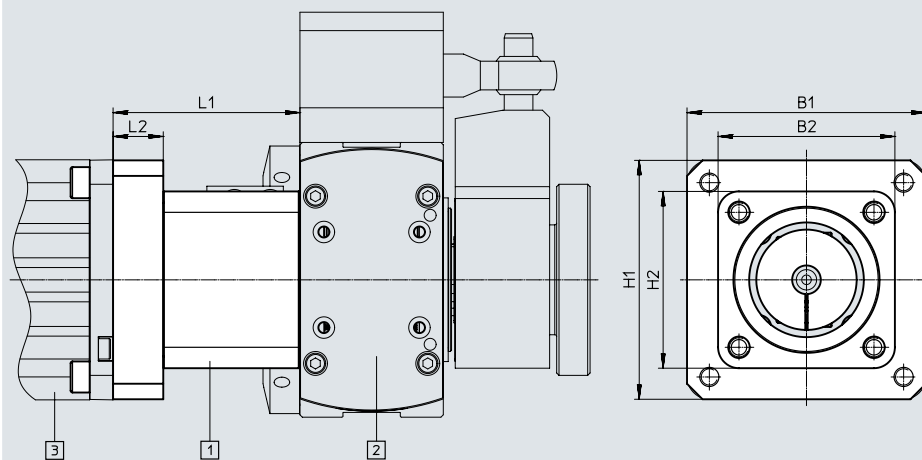
ERMB...



Main illustration:

- [1] Axial kit
- [2] Rotary module
- [3] Motor

EHMB...



Main illustration:

- [1] Axial kit
- [2] Rotary lifting module
- [3] Motor

Datasheet

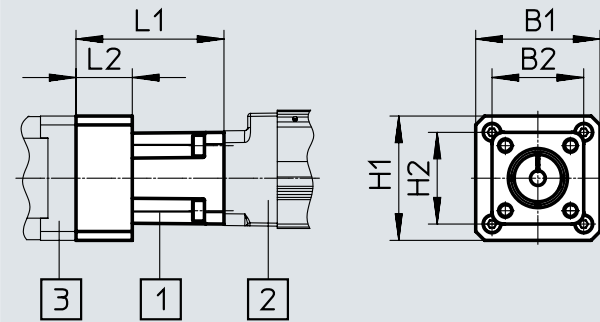
| Type | B1 | B2 | H1 | H2 | L1 | L2 |
|--------------------|------|------|------|------|------|------|
| EAMM-A-D19-28A | 30 | 31 | 30 | 31 | 46.2 | 15 |
| EAMM-A-D19-38AA | 38 | 31 | 38 | 31 | 51.2 | 20 |
| EAMM-A-D19-40A | 40 | 31 | 40 | 31 | 42.7 | 11.5 |
| EAMM-A-D19-40P | 39.7 | 31 | 39.7 | 31 | 45.7 | 14.5 |
| EAMM-A-D19-40R | 40 | 31 | 40 | 31 | 51.2 | 20 |
| EAMM-A-D19-42A | 42 | 31 | 42 | 31 | 50 | 19 |
| EAMM-A-D32-35A-40A | 40 | 40 | 40 | 40 | 46 | – |
| EAMM-A-D32-35A-40P | 39.7 | 39.7 | 39.7 | 39.7 | 49.5 | – |
| EAMM-A-D32-40A | 40 | 45 | 40 | 45 | 39.8 | 8.3 |
| EAMM-A-D32-40G | 60 | 45 | 60 | 45 | 62.5 | 24 |
| EAMM-A-D32-40P | 39.7 | 45 | 39.7 | 45 | 44 | 12.5 |
| EAMM-A-D32-40R | 53.5 | 45 | 53.5 | 45 | 49.8 | 11.1 |
| EAMM-A-D32-42A | 42 | 45 | 42 | 45 | 48 | 5 |
| EAMM-A-D32-50GA | 62 | 45 | 62 | 45 | 62.5 | 31.5 |
| EAMM-A-D32-55A | 55 | 45 | 55 | 45 | 49.2 | 10.5 |
| EAMM-A-D32-57A | 56.4 | 45 | 56.4 | 45 | 50.5 | 12 |
| EAMM-A-D32-58AA | 58 | 45 | 58 | 45 | 51.2 | 12.5 |
| EAMM-A-D32-60AA | 60 | 45 | 60 | 45 | 50.7 | 12 |
| EAMM-A-D32-60G | 75 | 45 | 75 | 45 | 66.5 | 28 |
| EAMM-A-D32-60H | 75 | 45 | 75 | 45 | 66.5 | 28 |
| EAMM-A-D32-60P | 61.4 | 45 | 61.4 | 45 | 59.7 | 21 |
| EAMM-A-D32-60R | 62 | 45 | 62 | 45 | 51 | 20 |
| EAMM-A-D32-60RA | 62 | 45 | 62 | 45 | 51 | 20 |
| EAMM-A-D32-67A | 67 | 45 | 67 | 45 | 54.6 | 16 |
| EAMM-A-D40-40G-G2 | 60 | 54 | 60 | 54 | 62.5 | 24 |
| EAMM-A-D40-50GA | 62 | 54 | 62 | 54 | 62.5 | 31.5 |
| EAMM-A-D40-55A | 55 | 54 | 55 | 54 | 49.2 | 10.5 |
| EAMM-A-D40-57A | 56.4 | 54 | 56.4 | 54 | 50.5 | 12 |
| EAMM-A-D40-58AA | 58 | 54 | 58 | 54 | 51.2 | 12.5 |
| EAMM-A-D40-60AA | 60 | 54 | 60 | 54 | 50.7 | 12 |
| EAMM-A-D40-60G | 75 | 54 | 75 | 54 | 66.5 | 28 |
| EAMM-A-D40-60H | 75 | 54 | 75 | 54 | 66.5 | 28 |
| EAMM-A-D40-60P | 61.4 | 54 | 61.4 | 54 | 59.7 | 21 |
| EAMM-A-D40-60R | 62 | 54 | 62 | 54 | 51 | 20 |
| EAMM-A-D40-60RA | 62 | 54 | 62 | 54 | 51 | 20 |
| EAMM-A-D40-67A | 67 | 54 | 67 | 54 | 54.6 | 16 |
| EAMM-A-D40-70A | 70 | 54 | 70 | 54 | 52 | 13.5 |
| EAMM-A-D40-70AA | 72 | 54 | 72 | 54 | 53.5 | 13 |
| EAMM-A-D40-87A | 85.8 | 54 | 85.8 | 54 | 54 | 15.5 |

Datasheet

Dimensions (sample illustration)

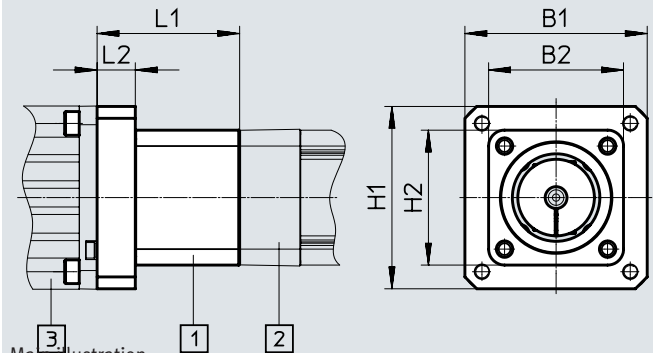
Download CAD data → www.festo.com

EGSL...



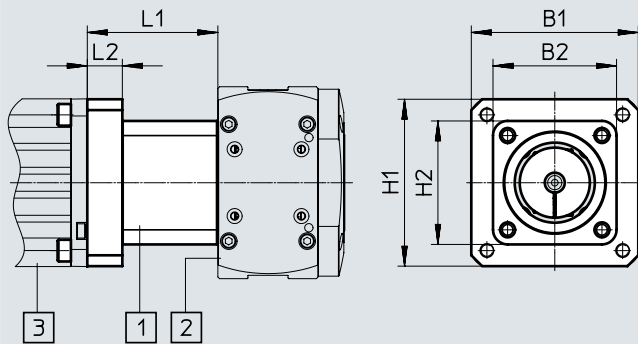
- Main illustration:
- [1] Axial kit
 - [2] Mini slide
 - [3] Motor

ESBF... with degree of protection IP40



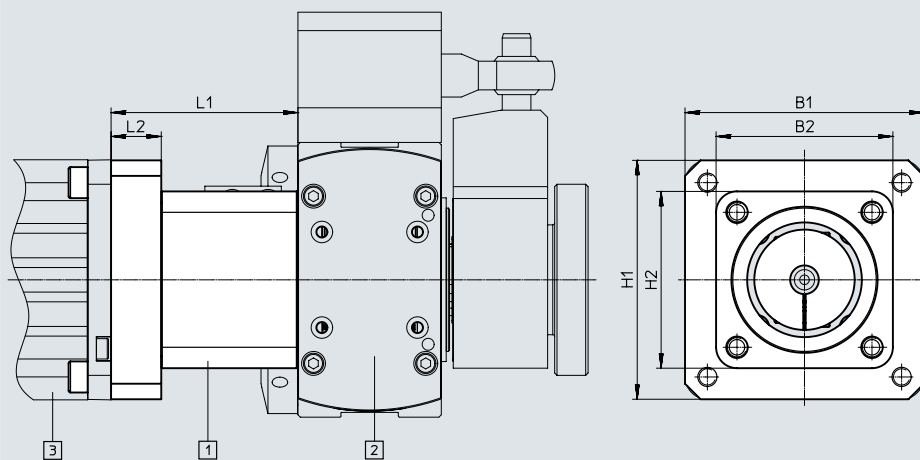
- Main illustration:
- [1] Axial kit
 - [2] Electric cylinder
 - [3] Motor

ERMB...



- Main illustration:
- [1] Axial kit
 - [2] Rotary module
 - [3] Motor

EHMB...

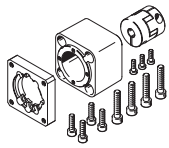
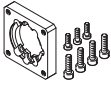
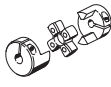
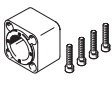


- Main illustration:
- [1] Axial kit
 - [2] Rotary lifting module
 - [3] Motor

Datasheet

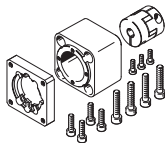
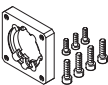
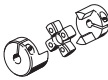
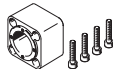
| Type | B1 | B2 | H1 | H2 | L1 | L2 |
|-------------------|------|-----|------|-----|-------|------|
| EAMM-A-D50-60G | 90 | 74 | 90 | 74 | 87.4 | 35 |
| EAMM-A-D50-60H | 90 | 74 | 90 | 74 | 87.4 | 35 |
| EAMM-A-D50-70A | 70 | 74 | 70 | 74 | 68.2 | 16.2 |
| EAMM-A-D50-70GA | 85.8 | 65 | 85.8 | 65 | 83.7 | 31.5 |
| EAMM-A-D50-80G | 104 | 74 | 104 | 74 | 92.4 | 30 |
| EAMM-A-D50-80P | 81.3 | 74 | 81.3 | 74 | 79.7 | 17.5 |
| EAMM-A-D50-80PB | 81.3 | 65 | 81.3 | 65 | 79.7 | 17.5 |
| EAMM-A-D50-82AA | 82 | 65 | 82 | 65 | 68.2 | 16 |
| EAMM-A-D50-84AA | 96 | 65 | 96 | 65 | 79.7 | 17.5 |
| EAMM-A-D50-87A | 85.8 | 74 | 85.8 | 74 | 69.7 | 17.5 |
| EAMM-A-D50-100A | 100 | 74 | 100 | 74 | 83.2 | 21 |
| EAMM-A-D60-60G-G2 | 90 | 74 | 90 | 74 | 82.4 | 35 |
| EAMM-A-D60-60H | 90 | 74 | 90 | 74 | 82.4 | 35 |
| EAMM-A-D60-70A | 70 | 74 | 70 | 74 | 64.2 | 16 |
| EAMM-A-D60-80G | 104 | 74 | 104 | 74 | 87.4 | 30 |
| EAMM-A-D60-80P | 81.3 | 74 | 81.3 | 74 | 74.7 | 17.5 |
| EAMM-A-D60-80PB | 81.3 | 74 | 81.3 | 74 | 74.7 | 17.5 |
| EAMM-A-D60-84AA | 96 | 74 | 96 | 74 | 74.7 | 17.5 |
| EAMM-A-D60-92RA | 90 | 74 | 90 | 74 | 75 | 28 |
| EAMM-A-D60-87A | 85.8 | 74 | 85.8 | 74 | 64.7 | 17.5 |
| EAMM-A-D60-90GA | 104 | 75 | 104 | 75 | 93.9 | 38.5 |
| EAMM-A-D60-100A | 100 | 74 | 100 | 74 | 79.2 | 21 |
| EAMM-A-D80-80G | 104 | 100 | 104 | 100 | 102 | 30 |
| EAMM-A-D80-84AA | 100 | 100 | 100 | 100 | 85.2 | 13 |
| EAMM-A-D80-90GA | 104 | 100 | 104 | 100 | 108.5 | 36.5 |
| EAMM-A-D80-100A | 100 | 100 | 100 | 100 | 92 | 20 |
| EAMM-A-D80-150A | 151 | 100 | 151 | 100 | 102 | 30 |
| EAMM-A-D100-100A | 100 | 112 | 100 | 112 | 99.5 | 20 |
| EAMM-A-D100-120G | 143 | 112 | 143 | 112 | 113.5 | 34 |
| EAMM-A-D100-150A | 151 | 109 | 151 | 109 | 102 | 30 |

Datasheet

| Ordering data – Individual components | | | |
|---|---|--|---|
| Axial kit | Consisting of: | | |
| | Motor flange | Coupling | Coupling housing |
|  |  |  |  |
| Part no. Type | Part no. Type | Part no. Type | Part no. Type |
| 1081659 EAMM-A-D19-28A | 1087613 EAMF-A-28D-28A | 562676 EAMC-16-20-5-5 | 1087585 EAMK-A-D19-28D |
| 1199152 EAMM-A-D19-40A | 1199144 EAMF-A-28D-40A | 543419 EAMC-16-20-5-6 | 1087585 EAMK-A-D19-28D |
| 1981953 EAMM-A-D19-40P | 1982014 EAMF-A-28D-40P | 562677 EAMC-16-20-5-8 | 1087585 EAMK-A-D19-28D |
| 1087642 EAMM-A-D19-42A | 1087630 EAMF-A-28D-42A | 562676 EAMC-16-20-5-5 | 1087585 EAMK-A-D19-28D |
| 560281 EAMM-A-D32-35A-40A | – | 558312 EAMC-30-32-6-6 | 560280 EAMK-A-D32-35A-40A |
| 2207441 EAMM-A-D32-35A-40P | – | 533708 EAMC-30-32-6-8 | 2207509 EAMK-A-D32-35A-40P |
| 543147 EAMM-A-D32-40A | 552163 EAMF-A-28B-40A | 543420 EAMC-16-20-6-6 | 552155 EAMK-A-D32-28B |
| 1454238 EAMM-A-D32-40G | 1460095 EAMF-A-44C-40G-S1 | 562681 EAMC-30-32-6-10 | 551006 EAMK-A-D32-44A/C |
| ★ 1976465 EAMM-A-D32-40P | 1976704 EAMF-A-28B-40P | 1232854 EAMC-16-20-6-8 | 552155 EAMK-A-D32-28B |
| ★ 543148 EAMM-A-D32-42A | 552164 EAMF-A-28B-42A | 543419 EAMC-16-20-5-6 | 552155 EAMK-A-D32-28B |
| 550979 EAMM-A-D32-55A | 529942 EAMF-A-44A/B-55A | 551003 EAMC-30-32-6-9 | 551006 EAMK-A-D32-44A/C |
| ★ 550980 EAMM-A-D32-57A | 530081 EAMF-A-44A/B-57A | 551002 EAMC-30-32-6-6.35 | 551006 EAMK-A-D32-44A/C |
| 2946758 EAMM-A-D32-60G | 1460105 EAMF-A-44C-60G/H-S1 | 318577 EAMC-30-32-6-11 | 551006 EAMK-A-D32-44A/C |
| 2946760 EAMM-A-D32-60H | 1460105 EAMF-A-44C-60G/H-S1 | 1233256 EAMC-30-32-6-14 | 551006 EAMK-A-D32-44A/C |
| ★ 1956054 EAMM-A-D32-60P | 1956846 EAMF-A-44C-60P | 1233256 EAMC-30-32-6-14 | 551006 EAMK-A-D32-44A/C |
| 1454239 EAMM-A-D32-67A | 1476305 EAMF-A-44A/B/C-67A-S1 | 551003 EAMC-30-32-6-9 | 551006 EAMK-A-D32-44A/C |



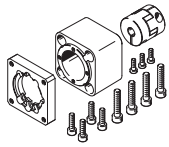
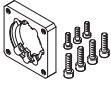
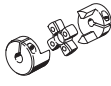
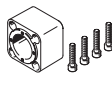
Datasheet

| Ordering data – Individual components | | | |
|---|---|--|---|
| Axial kit | Consisting of: | | |
| | Motor flange | Coupling | Coupling housing |
|  |  |  |  |
| Part no. Type | Part no. Type | Part no. Type | Part no. Type |
| 2256398 EAMM-A-D40-40G-G2 | 1460095 EAMF-A-44C-40G-S1 | 558029 EAMC-30-32-8-10 | 552157 EAMK-A-D40-44A/C |
| 543153 EAMM-A-D40-55A | 529942 EAMF-A-44A/B-55A | 543423 EAMC-30-32-8-9 | 552157 EAMK-A-D40-44A/C |
| ★ 543154 EAMM-A-D40-57A | 530081 EAMF-A-44A/B-57A | 543421 EAMC-30-32-6.35-8 | 552157 EAMK-A-D40-44A/C |
| 2256400 EAMM-A-D40-60G | 1460105 EAMF-A-44C-60G/H-S1 | 551004 EAMC-30-32-8-11 | 552157 EAMK-A-D40-44A/C |
| 1454242 EAMM-A-D40-60H | 1460105 EAMF-A-44C-60G/H-S1 | 562682 EAMC-30-32-8-14 | 552157 EAMK-A-D40-44A/C |
| ★ 1977000 EAMM-A-D40-60P | 1956846 EAMF-A-44C-60P | 562682 EAMC-30-32-8-14 | 552157 EAMK-A-D40-44A/C |
| 1454243 EAMM-A-D40-67A | 1476305 EAMF-A-44A/B/C-67A-S1 | 543423 EAMC-30-32-8-9 | 552157 EAMK-A-D40-44A/C |
| 550981 EAMM-A-D40-70A | 529943 EAMF-A-44A/B-70A | 551004 EAMC-30-32-8-11 | 552157 EAMK-A-D40-44A/C |
| ★ 550982 EAMM-A-D40-87A | 530082 EAMF-A-44A/B-87A | 551004 EAMC-30-32-8-11 | 552157 EAMK-A-D40-44A/C |
| 2733786 EAMM-A-D50-60G | 2256289 EAMF-A-64B-60G/H-S1 | 543424 EAMC-42-50-11-12 | 2733780 EAMK-A-D50-64B |
| 2733796 EAMM-A-D50-60H | 2256289 EAMF-A-64B-60G/H-S1 | 1455671 EAMC-42-50-12-14 | 2733780 EAMK-A-D50-64B |
| 2733783 EAMM-A-D50-70A | 529945 EAMF-A-64A/B-70A | 543424 EAMC-42-50-11-12 | 2733780 EAMK-A-D50-64B |
| 2733787 EAMM-A-D50-80G | 2843290 EAMF-A-64C-80G-S1 | 2138701 EAMC-42-50-12-20 | 2836865 EAMK-A-D50-64C |
| ★ 2733785 EAMM-A-D50-80P | 1977113 EAMF-A-64A/C-80P | 551005 EAMC-42-50-12-19 | 2836865 EAMK-A-D50-64C |
| ★ 2733781 EAMM-A-D50-87A | 533140 EAMF-A-64A/B-87A | 543424 EAMC-42-50-11-12 | 2733780 EAMK-A-D50-64B |
| ★ 2733784 EAMM-A-D50-100A | 529947 EAMF-A-64A/C/D-100A | 551005 EAMC-42-50-12-19 | 2836865 EAMK-A-D50-64C |

Festo Core Range

- ★ Generally ready for shipping ex works in 24 hours
- ★ Generally ready for shipping ex works in 5 days

Datasheet

| Ordering data – Individual components | | | |
|---|---|--|---|
| Axial kit | Consisting of: | | |
| | Motor flange | Coupling | Coupling housing |
|  |  |  |  |
| Part no. Type | Part no. Type | Part no. Type | Part no. Type |
| 2256696 EAMM-A-D60-60G-G2 | 2256289 EAMF-A-64B-60G/H-S1 | 543424 EAMC-42-50-11-12 | 552160 EAMK-A-D60-64B |
| 1454245 EAMM-A-D60-60H | 2256289 EAMF-A-64B-60G/H-S1 | 1455671 EAMC-42-50-12-14 | 552160 EAMK-A-D60-64B |
| 543161 EAMM-A-D60-70A | 529945 EAMF-A-64A/B-70A | 543424 EAMC-42-50-11-12 | 552160 EAMK-A-D60-64B |
| 1499402 EAMM-A-D60-80G | 2843290 EAMF-A-64C-80G-S1 | 2138701 EAMC-42-50-12-20 | 551007 EAMK-A-D60-64C |
| ★ 1977073 EAMM-A-D60-80P | 1977113 EAMF-A-64A/C-80P | 551005 EAMC-42-50-12-19 | 551007 EAMK-A-D60-64C |
| ★ 543162 EAMM-A-D60-87A | 533140 EAMF-A-64A/B-87A | 543424 EAMC-42-50-11-12 | 552160 EAMK-A-D60-64B |
| ★ 550983 EAMM-A-D60-100A | 529947 EAMF-A-64A/C/D-100A | 551005 EAMC-42-50-12-19 | 551007 EAMK-A-D60-64C |
| 2946763 EAMM-A-D80-80G | 2933286 EAMF-A-77A-80G-S1 | 3181801 EAMC-56-58-19-20 | 1593627 EAMK-A-D80-77A |
| 1589665 EAMM-A-D80-100A | 1593628 EAMF-A-77A-100A | 1485673 EAMC-56-58-19-19 | 1593627 EAMK-A-D80-77A |
| 8157273 EAMM-A-D80-150A | – | 1485674 EAMC-56-58-19-24 | 8159894 EAMK-A-D80-150A |
| 3356796 EAMM-A-D100-100A | 1593628 EAMF-A-77A-100A | 1485674 EAMC-56-58-19-24 | 1593914 EAMK-A-D100-77A/B |
| 2449341 EAMM-A-D100-120G | 2449380 EAMF-A-77B-120G-S1 | 3187895 EAMC-67-62-24-25 | 1593914 EAMK-A-D100-77A/B |
| 8157275 EAMM-A-D100-150A | – | 1451407 EAMC-67-62-24-24 | 8159895 EAMK-A-D100-150A |

Festo Core Range

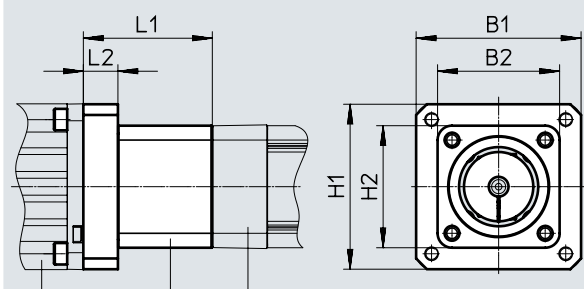
- ★ Generally ready for shipping ex works in 24 hours
- ☆ Generally ready for shipping ex works in 5 days

Datasheet

Dimensions (sample illustration)

Download CAD data → www.festo.com

ESBF... with degree of protection IP65



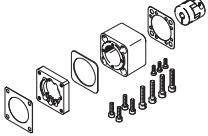
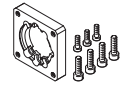
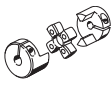
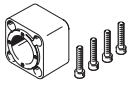
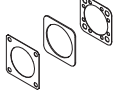
Main illustration:

- [1] Axial kit
- [2] Electric cylinder
- [3] Motor

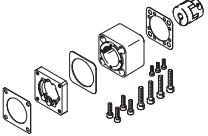
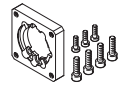
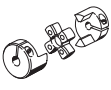
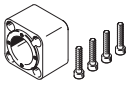
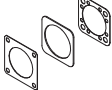
| Type | B1 | B2 | H1 | H2 | L1 | L2 |
|---------------------|------|-----|------|-----|-------|------|
| EAMM-A-D32-40A-S1 | 40 | 45 | 40 | 45 | 41.3 | 8.8 |
| EAMM-A-D32-40G-S1 | 60 | 45 | 60 | 45 | 62.5 | 24 |
| EAMM-A-D32-40P-S1 | 39.7 | 45 | 39.7 | 45 | 45.5 | 13 |
| EAMM-A-D32-42A-S1 | 42 | 45 | 42 | 45 | 49.5 | 5.5 |
| EAMM-A-D32-55A-S1 | 55 | 45 | 55 | 45 | 50.7 | 11 |
| EAMM-A-D32-57A-S1 | 56.4 | 45 | 56.4 | 45 | 52 | 12.5 |
| EAMM-A-D32-60G-S1 | 75 | 45 | 75 | 45 | 67.5 | 28.5 |
| EAMM-A-D32-60H-S1 | 75 | 45 | 75 | 45 | 67.5 | 28.5 |
| EAMM-A-D32-60P-S1 | 61.4 | 45 | 61.4 | 45 | 60.7 | 21 |
| EAMM-A-D32-67A-S1 | 67 | 45 | 67 | 45 | 55.6 | 16 |
| EAMM-A-D40-40G-S1 | 60 | 54 | 60 | 54 | 63.5 | 24.5 |
| EAMM-A-D40-55A-S1 | 55 | 54 | 55 | 54 | 50.7 | 11 |
| EAMM-A-D40-57A-S1 | 56.4 | 54 | 56.4 | 54 | 52 | 12.5 |
| EAMM-A-D40-60G-S1 | 75 | 54 | 75 | 54 | 67.5 | 28.5 |
| EAMM-A-D40-60H-S1 | 75 | 54 | 75 | 54 | 67.5 | 28.5 |
| EAMM-A-D40-60P-S1 | 61.4 | 54 | 61.4 | 54 | 61.2 | 22 |
| EAMM-A-D40-67A-S1 | 67 | 54 | 67 | 54 | 55.6 | 16.4 |
| EAMM-A-D40-70A-S1 | 70 | 54 | 70 | 54 | 53 | 14 |
| EAMM-A-D40-87A-S1 | 85.8 | 54 | 85.8 | 54 | 55 | 16 |
| EAMM-A-D50-60G-S1 | 90 | 74 | 90 | 74 | 88.4 | 35.5 |
| EAMM-A-D50-60H-S1 | 90 | 74 | 90 | 74 | 88.4 | 35.5 |
| EAMM-A-D50-70A-S1 | 70 | 74 | 70 | 74 | 69.2 | 16.5 |
| EAMM-A-D50-80G-S1 | 104 | 74 | 104 | 74 | 93.4 | 30.5 |
| EAMM-A-D50-80P-S1 | 81.3 | 74 | 81.3 | 74 | 80.7 | 18 |
| EAMM-A-D50-87A-S1 | 85.8 | 74 | 85.8 | 74 | 70.7 | 18 |
| EAMM-A-D50-100A-S1 | 100 | 74 | 100 | 74 | 84.2 | 21.5 |
| EAMM-A-D60-60G-S1 | 90 | 74 | 90 | 74 | 83.4 | 35.5 |
| EAMM-A-D60-60H-S1 | 90 | 74 | 90 | 74 | 83.4 | 35.5 |
| EAMM-A-D60-70A-S1 | 70 | 74 | 70 | 74 | 64.2 | 16.5 |
| EAMM-A-D60-80G-S1 | 104 | 74 | 104 | 74 | 88.4 | 30.5 |
| EAMM-A-D60-80P-S1 | 81.3 | 74 | 81.3 | 74 | 75.7 | 18 |
| EAMM-A-D60-87A-S1 | 85.8 | 74 | 85.8 | 74 | 66.5 | 18 |
| EAMM-A-D60-100A-S1 | 100 | 74 | 100 | 74 | 79.2 | 21.5 |
| EAMM-A-D80-80G-S1 | 104 | 100 | 104 | 100 | 103.5 | 30.5 |
| EAMM-A-D80-100A-S1 | 100 | 100 | 100 | 100 | 93.5 | 20.5 |
| EAMM-A-D80-150A-S1 | 151 | 100 | 151 | 100 | 103 | 30.5 |
| EAMM-A-D100-100A-S1 | 100 | 112 | 100 | 112 | 101 | 20 |
| EAMM-A-D100-120G-S1 | 143 | 112 | 143 | 112 | 115 | 34.5 |
| EAMM-A-D100-150A-S1 | 151 | 109 | 151 | 109 | 103 | 30.5 |

Datasheet

Ordering data – Individual components

| Axial kit | Consisting of: | | | |
|---|---|---|--|---|
| | Motor flange | Coupling | Coupling housing | Seal set |
|  |  |  |  |  |
| Part no. Type | Part no. Type | Part no. Type | Part no. Type | Part no. Type |
| 1322178 EAMM-A-D32-40A-S1 | 552163 EAMF-A-28B-40A | 543420 EAMC-16-20-6-6 | 552155 EAMK-A-D32-28B | 1561526 EADS-F-D32-40A |
| 2256396 EAMM-A-D32-40G-S1 | 1460095 EAMF-A-44C-40G-S1 | 562681 EAMC-30-32-6-10 | 551006 EAMK-A-D32-44A/C | 2253500 EADS-F-D32-40G |
| 2207372 EAMM-A-D32-40P-S1 | 1976704 EAMF-A-28B-40P | 1232854 EAMC-16-20-6-8 | 552155 EAMK-A-D32-28B | 2207219 EADS-F-D32-40P |
| 1322179 EAMM-A-D32-42A-S1 | 552164 EAMF-A-28B-42A | 543419 EAMC-16-20-5-6 | 552155 EAMK-A-D32-28B | 1561527 EADS-F-D32-42A |
| 1322180 EAMM-A-D32-55A-S1 | 529942 EAMF-A-44A/B-55A | 551003 EAMC-30-32-6-9 | 551006 EAMK-A-D32-44A/C | 1561528 EADS-F-D32-55A |
| 1322181 EAMM-A-D32-57A-S1 | 530081 EAMF-A-44A/B-57A | 551002 EAMC-30-32-6-6.35 | 551006 EAMK-A-D32-44A/C | 1561529 EADS-F-D32-57A |
| 2946759 EAMM-A-D32-60G-S1 | 1460105 EAMF-A-44C-60G/H-S1 | 3187577 EAMC-30-32-6-11 | 551006 EAMK-A-D32-44A/C | 8022150 EADS-F-D32-60G/H |
| 2946761 EAMM-A-D32-60H-S1 | 1460105 EAMF-A-44C-60G/H-S1 | 1233256 EAMC-30-32-6-14 | 551006 EAMK-A-D32-44A/C | 8022150 EADS-F-D32-60G/H |
| 2234020 EAMM-A-D32-60P-S1 | 1956846 EAMF-A-44C-60P | 1233256 EAMC-30-32-6-14 | 551006 EAMK-A-D32-44A/C | 2234012 EADS-F-D32-60P |
| 2256397 EAMM-A-D32-67A-S1 | 1476305 EAMF-A-44A/B/C-67A-S1 | 551003 EAMC-30-32-6-9 | 551006 EAMK-A-D32-44A/C | 2253501 EADS-F-D32-67A |
| 2256399 EAMM-A-D40-40G-S1 | 1460095 EAMF-A-44C-40G-S1 | 558029 EAMC-30-32-8-10 | 552157 EAMK-A-D40-44A/C | 2253502 EADS-F-D40-40G |
| 1322182 EAMM-A-D40-55A-S1 | 529942 EAMF-A-44A/B-55A | 543423 EAMC-30-32-8-9 | 552157 EAMK-A-D40-44A/C | 1561530 EADS-F-D40-55A |
| 1322183 EAMM-A-D40-57A-S1 | 530081 EAMF-A-44A/B-57A | 543421 EAMC-30-32-6.35-8 | 552157 EAMK-A-D40-44A/C | 1561531 EADS-F-D40-57A |
| 2256409 EAMM-A-D40-60G-S1 | 1460105 EAMF-A-44C-60G/H-S1 | 551004 EAMC-30-32-8-11 | 552157 EAMK-A-D40-44A/C | 2253503 EADS-F-D40-60G/H |
| 2256401 EAMM-A-D40-60H-S1 | 1460105 EAMF-A-44C-60G/H-S1 | 562682 EAMC-30-32-8-14 | 552157 EAMK-A-D40-44A/C | 2253503 EADS-F-D40-60G/H |
| 2151519 EAMM-A-D40-60P-S1 | 1956846 EAMF-A-44C-60P | 562682 EAMC-30-32-8-14 | 552157 EAMK-A-D40-44A/C | 2151545 EADS-F-D40-60P |
| 2256695 EAMM-A-D40-67A-S1 | 1476305 EAMF-A-44A/B/C-67A-S1 | 543423 EAMC-30-32-8-9 | 552157 EAMK-A-D40-44A/C | 2253504 EADS-F-D40-67A |
| 1322185 EAMM-A-D40-70A-S1 | 529943 EAMF-A-44A/B-70A | 551004 EAMC-30-32-8-11 | 552157 EAMK-A-D40-44A/C | 1561532 EADS-F-D40-70A |
| 1322186 EAMM-A-D40-87A-S1 | 530082 EAMF-A-44A/B-87A | 551004 EAMC-30-32-8-11 | 552157 EAMK-A-D40-44A/C | 1561533 EADS-F-D40-87A |

Datasheet

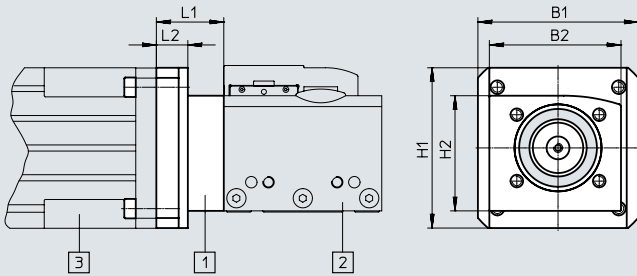
| Ordering data – Individual components | | | | |
|---|---|---|---|---|
| Axial kit | Consisting of: | | | |
| | Motor flange | Coupling | Coupling housing | Seal set |
|  |  |  |  |  |
| Part no. Type | Part no. Type | Part no. Type | Part no. Type | Part no. Type |
| 2734290 EAMM-A-D50-60G-S1 | 2256289 EAMF-A-64B-60G/H-S1 | 543424 EAMC-42-50-11-12 | 2733780 EAMK-A-D50-64B | 2733792 EADS-F-D50-60G/H |
| 2907418 EAMM-A-D50-60H-S1 | 2256289 EAMF-A-64B-60G/H-S1 | 1455671 EAMC-42-50-12-14 | 2733780 EAMK-A-D50-64B | 2733792 EADS-F-D50-60G/H |
| 2734287 EAMM-A-D50-70A-S1 | 529945 EAMF-A-64A/B-70A | 543424 EAMC-42-50-11-12 | 2733780 EAMK-A-D50-64B | 2733789 EADS-F-D50-70A |
| 2734291 EAMM-A-D50-80G-S1 | 2843290 EAMF-A-64C-80G-S1 | 2138701 EAMC-42-50-12-20 | 2836865 EAMK-A-D50-64C | 2733793 EADS-F-D50-80G |
| 2734289 EAMM-A-D50-80P-S1 | 1977113 EAMF-A-64A/C-80P | 551005 EAMC-42-50-12-19 | 2836865 EAMK-A-D50-64C | 2733791 EADS-F-D50-80P |
| 2734286 EAMM-A-D50-87A-S1 | 533140 EAMF-A-64A/B-87A | 543424 EAMC-42-50-11-12 | 2733780 EAMK-A-D50-64B | 2733788 EADS-F-D50-87A |
| 2734288 EAMM-A-D50-100A-S1 | 529947 EAMF-A-64A/C/D-100A | 551005 EAMC-42-50-12-19 | 2836865 EAMK-A-D50-64C | 2733790 EADS-F-D50-100A |
| 2256698 EAMM-A-D60-60G-S1 | 2256289 EAMF-A-64B-60G/H-S1 | 543424 EAMC-42-50-11-12 | 552160 EAMK-A-D60-64B | 2253505 EADS-F-D60-60G/H |
| 2256697 EAMM-A-D60-60H-S1 | 2256289 EAMF-A-64B-60G/H-S1 | 1455671 EAMC-42-50-12-14 | 552160 EAMK-A-D60-64B | 2253505 EADS-F-D60-60G/H |
| 2256699 EAMM-A-D60-70A-S1 | 529945 EAMF-A-64A/B-70A | 543424 EAMC-42-50-11-12 | 552160 EAMK-A-D60-64B | 8022145 EADS-F-D60-70A |
| 2946762 EAMM-A-D60-80G-S1 | 2843290 EAMF-A-64C-80G-S1 | 2138701 EAMC-42-50-12-20 | 551007 EAMK-A-D60-64C | 8022146 EADS-F-D60-80G |
| 2218564 EAMM-A-D60-80P-S1 | 1977113 EAMF-A-64A/C-80P | 551005 EAMC-42-50-12-19 | 551007 EAMK-A-D60-64C | 2218523 EADS-F-D60-80P |
| 1322188 EAMM-A-D60-87A-S1 | 533140 EAMF-A-64A/B-87A | 543424 EAMC-42-50-11-12 | 552160 EAMK-A-D60-64B | 1561536 EADS-F-D60-87A |
| 2256700 EAMM-A-D60-100A-S1 | 529947 EAMF-A-64A/C/D-100A | 551005 EAMC-42-50-12-19 | 551007 EAMK-A-D60-64C | 2253507 EADS-F-D60-100A |
| 2946764 EAMM-A-D80-80G-S1 | 2933286 EAMF-A-77A-80G-S1 | 3181801 EAMC-56-58-19-20 | 1593627 EAMK-A-D80-77A | 8022147 EADS-F-D80-80G |
| 1600673 EAMM-A-D80-100A-S1 | 1593628 EAMF-A-77A-100A | 1485673 EAMC-56-58-19-19 | 1593627 EAMK-A-D80-77A | 1593617 EADS-F-D80-100A |
| 8157274 EAMM-A-D80-150A-S1 | – | 1485674 EAMC-56-58-19-24 | 8159894 EAMK-A-D80-150A | 8162067 EADS-F-D80-150A |
| 3356931 EAMM-A-D100-100A-S1 | 1593628 EAMF-A-77A-100A | 1485674 EAMC-56-58-19-24 | 1593914 EAMK-A-D100-77A/B | 3356966 EADS-F-D100-100A |
| 2946765 EAMM-A-D100-120G-S1 | 2449380 EAMF-A-77B-120G-S1 | 3187895 EAMC-67-62-24-25 | 1593914 EAMK-A-D100-77A/B | 8022148 EADS-F-D100-120G |
| 8157276 EAMM-A-D100-150A-S1 | – | 1451407 EAMC-67-62-24-24 | 8159895 EAMK-A-D100-150A | 8162068 EADS-F-D100-150A |

Datasheet

Dimensions (sample illustration)

Download CAD data → www.festo.com

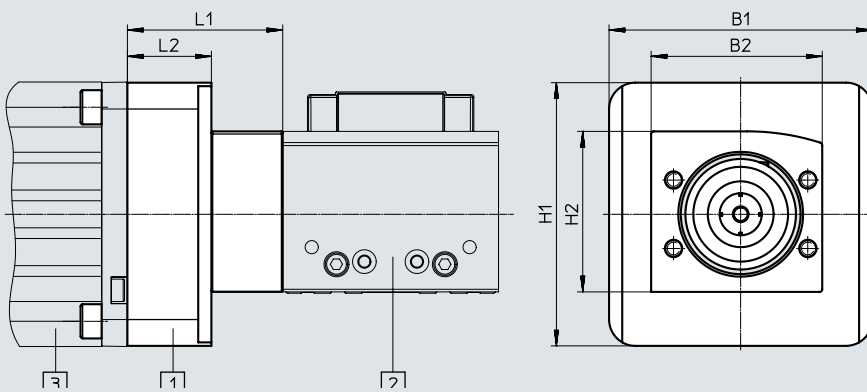
EGC-TB...



Main illustration:

- [1] Axial kit
- [2] Toothed belt axis
- [3] Motor

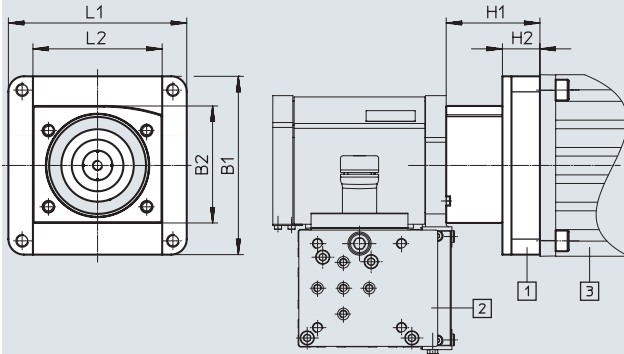
ELGA...TB



Main illustration:

- [1] Axial kit
- [2] Toothed belt axis
- [3] Motor

ELCC-TB...



Main illustration:

- [1] Axial kit
- [2] Cantilever axis
- [3] Motor

Datasheet

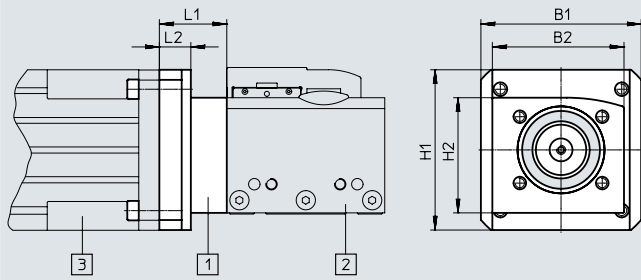
| Type | B1 | B2 | H1 | H2 | L1 | L2 |
|-----------------|------|------|------|------|------|------|
| EAMM-A-L27-40A | 40 | – | 40 | – | 18.1 | – |
| EAMM-A-L27-40G | 50 | 40 | 50 | 50 | 28.7 | – |
| EAMM-A-L27-40R | 40 | – | 40 | – | 27.1 | – |
| EAMM-A-L27-40RA | 40 | – | 40 | – | 20.1 | – |
| EAMM-A-L27-42A | 58 | 38 | 42.5 | 38 | 26.1 | 22.1 |
| EAMM-A-L27-50GA | 55 | 55 | 55 | 39.5 | 26.6 | 21.6 |
| EAMM-A-L27-55A | 55 | 40 | 55 | 55 | 23.1 | – |
| EAMM-A-L27-57A | 56 | 39.5 | 56 | 56 | 23.1 | – |
| EAMM-A-L27-57AA | 56 | 56 | 56 | 39.5 | 23.1 | 18.1 |
| EAMM-A-L27-57AB | 56 | 56 | 56 | 39.5 | 23.1 | 18.1 |
| EAMM-A-L27-57AC | 56 | 56 | 56 | 39.5 | 23.1 | 18.1 |
| EAMM-A-L27-58AA | 55 | 55 | 55 | 39.5 | 22.1 | 17.1 |
| EAMM-A-L27-60G | 60 | 60 | 60 | 39.5 | 37.1 | 32.1 |
| EAMM-A-L27-60RA | 60 | 60 | 60 | 39.5 | 32.1 | 27.1 |
| EAMM-A-L27-60RB | 60 | 60 | 60 | 39.5 | 25.1 | 20.1 |
| EAMM-A-L27-67A | 67 | 41 | 67 | 67 | 28 | – |
| EAMM-A-L38-40G | 55 | 57.5 | 55 | 50.3 | 31.9 | 16.2 |
| EAMM-A-L38-50GA | 55 | 57.5 | 55 | 50.3 | 30.4 | 14.7 |
| EAMM-A-L38-55A | 55 | 57.5 | 55 | 50.3 | 26.7 | 11 |
| EAMM-A-L38-56GA | 56 | 57.5 | 56 | 50.3 | 44.9 | 29.2 |
| EAMM-A-L38-57A | 56 | 57.5 | 56 | 50.3 | 26.7 | 11 |
| EAMM-A-L38-57AA | 56 | 57.5 | 56 | 50.3 | 26.9 | 11.2 |
| EAMM-A-L38-58AA | 55 | 57.5 | 55 | 50.3 | 25.9 | 10.2 |
| EAMM-A-L38-60AA | 60 | 57.5 | 60 | 50.3 | 27.2 | 11.5 |
| EAMM-A-L38-60G | 60 | 57.5 | 60 | 50.3 | 41.7 | 26 |
| EAMM-A-L38-60H | 60 | 57.5 | 60 | 50.3 | 41.7 | 24.5 |
| EAMM-A-L38-60P | 61.4 | 57.5 | 61.4 | 50.3 | 36.7 | 21 |
| EAMM-A-L38-60PA | 61.4 | 57.5 | 61.4 | 50.3 | 35.9 | 20.2 |
| EAMM-A-L38-60R | 61.4 | 57.5 | 61.4 | 50.3 | 36.7 | 21 |
| EAMM-A-L38-60RB | 61.4 | 57.5 | 61.4 | 50.3 | 28.9 | 13.2 |
| EAMM-A-L38-68GA | 64 | 57.5 | 64 | 50.3 | 54.9 | 39.2 |
| EAMM-A-L38-70A | 70 | 57.5 | 70 | 50.3 | 29.5 | 13.8 |
| EAMM-A-L38-70AA | 70 | 57.5 | 70 | 50.3 | 35.9 | 20.2 |
| EAMM-A-L38-70GA | 73 | 57.5 | 73 | 50.3 | 41.9 | 26.2 |
| EAMM-A-L38-72GA | 72 | 57.5 | 72 | 50.3 | 54.9 | 24 |
| EAMM-A-L38-84AA | 96 | 57.5 | 96 | 50.3 | 45.9 | 30.2 |
| EAMM-A-L38-87A | 85.8 | 57.5 | 85.8 | 50.3 | 33.7 | 18 |
| EAMM-A-L38-88A | 88 | 57.5 | 88 | 50.3 | 35.9 | 20.2 |
| EAMM-A-L48-40G | 60 | 65 | 60 | 52 | 43.3 | 19.3 |
| EAMM-A-L48-50GA | 60 | 65 | 60 | 52 | 41.8 | 17.8 |
| EAMM-A-L48-55A | 55 | 60 | 55 | 52 | 37.3 | 24 |
| EAMM-A-L48-56GA | 56 | 65 | 56 | 52 | 56.3 | 32.3 |
| EAMM-A-L48-60G | 60 | 65 | 60 | 61 | 52.5 | 24.5 |
| EAMM-A-L48-60H | 60 | 65 | 60 | 61 | 52.5 | 24.5 |
| EAMM-A-L48-60PA | 61.4 | 65 | 61.4 | 61 | 47.3 | 19.3 |
| EAMM-A-L48-68GA | 64 | 65 | 64 | 61 | 65.3 | 37.3 |
| EAMM-A-L48-70A | 70 | 65 | 70 | 61 | 40.2 | 12.2 |
| EAMM-A-L48-70AA | 70 | 65 | 70 | 61 | 47.3 | 19.3 |
| EAMM-A-L48-70GA | 73 | 65 | 73 | 61 | 53.3 | 25.3 |
| EAMM-A-L48-72GA | 72 | 65 | 72 | 61 | 65.3 | 37.3 |
| EAMM-A-L48-75GA | 75 | 65 | 75 | 61 | 74.4 | 46.4 |

Datasheet

Dimensions (sample illustration)

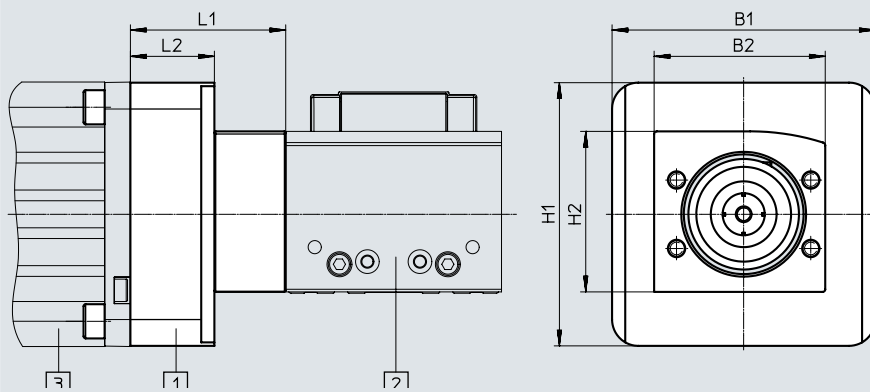
Download CAD data → www.festo.com

EGC-TB...



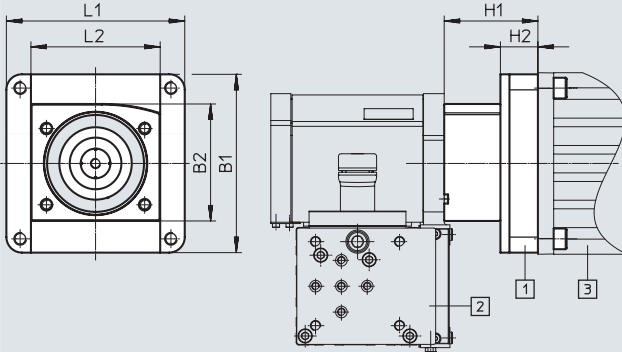
- Main illustration:
 [1] Axial kit
 [2] Toothed belt axis
 [3] Motor

ELGA...-TB



- Main illustration:
 [1] Axial kit
 [2] Toothed belt axis
 [3] Motor

ELCC-TB...



- Main illustration:
 [1] Axial kit
 [2] Cantilever axis
 [3] Motor

Datasheet

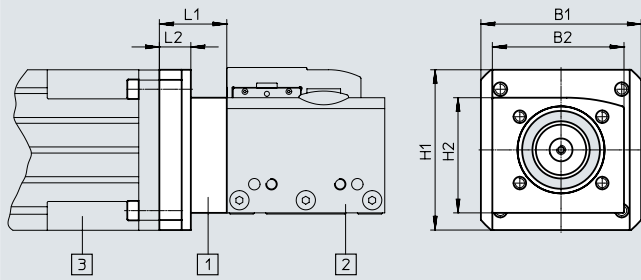
| Type | B1 | B2 | H1 | H2 | L1 | L2 |
|--------------------|------|-----|------|------|-------|------|
| EAMM-A-L48-80G | 80 | 65 | 80 | 61 | 58 | 30.4 |
| EAMM-A-L48-80P-G2 | 82 | 65 | 82 | 54 | 54 | 21 |
| EAMM-A-L48-80PB | 82 | 60 | 82 | 54 | 54 | 21 |
| EAMM-A-L48-82AA | 82 | 65 | 82 | 61 | 47.3 | 19.3 |
| EAMM-A-L48-84AA | 96 | 65 | 96 | 61 | 58.4 | 30.4 |
| EAMM-A-L48-87A | 85.8 | 65 | 85.8 | 61 | 44 | 16 |
| EAMM-A-L48-88A | 88 | 65 | 88 | 61 | 47.3 | 19.3 |
| EAMM-A-L48-90GA | 92 | 65 | 92 | 61 | 64.4 | 36.4 |
| EAMM-A-L48-90R | 90 | 65 | 90 | 61 | 52.3 | 24.3 |
| EAMM-A-L48-92RA | 90 | 65 | 90 | 61 | 57.3 | 29.3 |
| EAMM-A-L48-100A-G2 | 104 | 60 | 104 | 54 | 59 | 24 |
| EAMM-A-L48-120GA | 90 | 65 | 90 | 61 | 58.4 | 30.4 |
| EAMM-A-L62-56GA | 80 | 80 | 68 | 68 | 60.9 | – |
| EAMM-A-L62-60H | 68 | 68 | 68 | 68 | 56.9 | – |
| EAMM-A-L62-68GA | 92 | 92 | 66 | 75 | 69.9 | 37.9 |
| EAMM-A-L62-72GA | 92 | 92 | 72 | 75 | 69.9 | 37.9 |
| EAMM-A-L62-70GA | 76 | 76 | 72 | 72 | 56.4 | – |
| EAMM-A-L62-75GA | 92 | 92 | 75 | 75 | 77.9 | – |
| EAMM-A-L62-80G | 100 | 100 | 100 | 90.5 | 62.5 | 14.5 |
| EAMM-A-L62-84AA | 96 | 80 | 96 | 70 | 61.9 | 25.9 |
| EAMM-A-L62-88A | 88 | 80 | 88 | 70 | 51.9 | 19.9 |
| EAMM-A-L62-90GA | 92 | 92 | 92 | 75 | 67.9 | 35.9 |
| EAMM-A-L62-100A-G2 | 104 | 92 | 104 | 79 | 62.5 | 24 |
| EAMM-A-L62-108AA | 114 | 100 | 114 | 90.5 | 75.5 | 27.5 |
| EAMM-A-L62-115GA | 138 | 92 | 102 | 75 | 109.9 | 62.9 |
| EAMM-A-L62-120G | 120 | 92 | 120 | 75 | 76.9 | 54.9 |
| EAMM-A-L62-120GA | 92 | 92 | 92 | 75 | 61.9 | 29.9 |
| EAMM-A-L62-120GB | 120 | 92 | 120 | 75 | 71.9 | 15.9 |
| EAMM-A-L62-120GC | 132 | 92 | 132 | 75 | 91.9 | 22.9 |
| EAMM-A-L62-150A | 151 | 100 | 151 | 79 | 72.5 | 30 |
| EAMM-A-L95-75GA | 138 | 140 | 102 | 120 | 81.4 | 32.4 |
| EAMM-A-L95-68GA | 138 | 140 | 102 | 120 | 73.4 | 24.4 |
| EAMM-A-L95-72GA | 138 | 140 | 102 | 120 | 73.4 | 24.4 |
| EAMM-A-L95-80G-G2 | 140 | 140 | 100 | 120 | 66 | 17 |
| EAMM-A-L95-90GA | 138 | 140 | 102 | 120 | 71.4 | 22.4 |
| EAMM-A-L95-115GA | 138 | 140 | 102 | 120 | 113.4 | 64.4 |
| EAMM-A-L95-120G-G2 | 114 | 140 | 114 | 120 | 81 | 32 |
| EAMM-A-L95-120GA | 138 | 140 | 102 | 120 | 65.4 | 16.4 |
| EAMM-A-L95-120GB | 138 | 140 | 122 | 120 | 75.4 | 26.4 |
| EAMM-A-L95-120GC | 138 | 138 | 124 | 102 | 95.4 | 21.4 |
| EAMM-A-L95-150A-G2 | 151 | 140 | 151 | 120 | 76 | 27 |
| EAMM-A-L95-160G | 164 | 140 | 164 | 120 | 112 | 63 |
| EAMM-A-L95-190A-G2 | 190 | 140 | 190 | 120 | 86 | 37 |
| EAMM-A-L95-190B-G2 | 190 | 140 | 190 | 120 | 85 | 36 |

Datasheet

Dimensions (sample illustration)

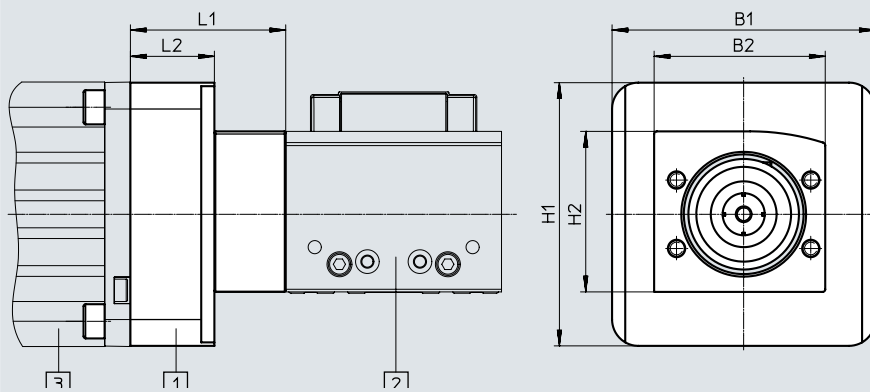
Download CAD data → www.festo.com

EGC-TB...



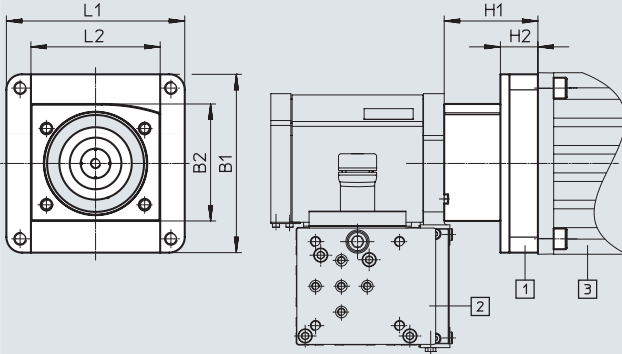
- Main illustration:
 [1] Axial kit
 [2] Toothed belt axis
 [3] Motor

ELGA...-TB



- Main illustration:
 [1] Axial kit
 [2] Toothed belt axis
 [3] Motor

ELCC-TB...

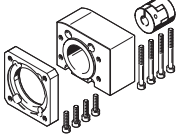
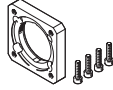
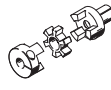
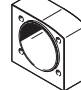



- Main illustration:
 [1] Axial kit
 [2] Cantilever axis
 [3] Motor

Datasheet

| Type | B1 | B2 | H1 | H2 | L1 | L2 |
|------------------|------|------|------|------|-------|------|
| EAMM-A-N38-40G | 58 | 56 | 55 | 50 | 40.3 | 38.3 |
| EAMM-A-N38-50GA | 58 | 56 | 55 | 50 | 38.8 | 36.8 |
| EAMM-A-N38-56GA | 60 | 56 | 56 | 50 | 53.4 | 51.4 |
| EAMM-A-N38-60G | 60 | 57.5 | 60 | 50.3 | 49.5 | 33 |
| EAMM-A-N38-60H | 60 | 57.5 | 60 | 50.3 | 49.5 | 33 |
| EAMM-A-N38-60PA | 61.4 | 56 | 61.4 | 50 | 44.4 | 32.4 |
| EAMM-A-N38-60RA | 61.4 | 56 | 61.4 | 50 | 44.4 | 32.4 |
| EAMM-A-N38-90R | 90 | 56 | 90 | 50 | 49.4 | 37.4 |
| EAMM-A-N38-92RA | 90 | 56 | 90 | 50 | 54.4 | 42.4 |
| EAMM-A-N38-70GA | 73 | 56 | 73 | 50 | 50.4 | 48.4 |
| EAMM-A-N38-68GA | 64 | 56 | 64 | 50 | 62.4 | 50.4 |
| EAMM-A-N38-70A | 70 | 57.5 | 70 | 50.3 | 37.5 | 21 |
| EAMM-A-N38-70AA | 70 | 56 | 70 | 50 | 44.4 | 32.4 |
| EAMM-A-N38-72GA | 72 | 56 | 72 | 50 | 62.4 | 50.4 |
| EAMM-A-N38-87A | 85.5 | 57.5 | 85.5 | 50.3 | 42 | 25.5 |
| EAMM-A-N38-88A | 88 | 56 | 88 | 50 | 44.4 | 32.4 |
| EAMM-A-N48-50GA | 68 | 65 | 58 | 56 | 43 | 29 |
| EAMM-A-N48-56GA | 68 | 65 | 58 | 56 | 57.5 | 53.5 |
| EAMM-A-N48-60G | 66 | 65 | 60 | 61 | 53.1 | 26 |
| EAMM-A-N48-60H | 66 | 65 | 60 | 61 | 53.1 | 26 |
| EAMM-A-N48-60PA | 66 | 65 | 66 | 56 | 48.5 | 34.5 |
| EAMM-A-N48-68GA | 68 | 65 | 68 | 56 | 66.5 | 35.5 |
| EAMM-A-N48-70AA | 70 | 65 | 70 | 56 | 48.5 | 34.5 |
| EAMM-A-N48-70GA | 73 | 65 | 73 | 56 | 54.5 | 50.5 |
| EAMM-A-N48-72GA | 72 | 65 | 72 | 56 | 66.5 | 35.5 |
| EAMM-A-N48-75GA | 75 | 65 | 75 | 56 | 74.5 | 43.5 |
| EAMM-A-N48-80P | 82 | 64 | 82 | 52 | 58 | 21 |
| EAMM-A-N48-80PB | 82 | 64 | 82 | 52 | 58 | 20 |
| EAMM-A-N48-84AA | 96 | 65 | 96 | 56 | 58.5 | 44.5 |
| EAMM-A-N48-88A | 88 | 65 | 88 | 56 | 48.5 | 34.5 |
| EAMM-A-N48-90GA | 93 | 62 | 93 | 59 | 64.5 | 60.5 |
| EAMM-A-N48-90GB | 132 | 65 | 92 | 75 | 54.5 | 34 |
| EAMM-A-N48-100A | 100 | 65 | 100 | 61 | 59 | 31.9 |
| EAMM-A-N48-120GA | 90 | 65 | 90 | 56 | 58.5 | 44.5 |
| EAMM-A-N80-68GA | 96 | 92 | 96 | 82 | 70 | 24.5 |
| EAMM-A-N80-72GA | 96 | 92 | 96 | 82 | 70 | 26.5 |
| EAMM-A-N80-70GA | 96 | 92 | 96 | 82 | 58 | 44 |
| EAMM-A-N80-75GA | 96 | 92 | 96 | 82 | 78.5 | 64.5 |
| EAMM-A-N80-80G | 100 | 100 | 100 | 90.5 | 62.5 | 19 |
| EAMM-A-N80-84AA | 96 | 92 | 96 | 82 | 62.5 | 48.5 |
| EAMM-A-N80-90GA | 116 | 92 | 96 | 82 | 68.5 | 54.5 |
| EAMM-A-N80-90GB | 124 | 92 | 96 | 82 | 60.5 | 52.5 |
| EAMM-A-N80-100A | 100 | 92 | 100 | 82 | 62.5 | 48.5 |
| EAMM-A-N80-115GA | 116 | 92 | 102 | 82 | 110.5 | 65 |
| EAMM-A-N80-120G | 124 | 100 | 124 | 90.5 | 77.5 | 34 |
| EAMM-A-N80-120GA | 140 | 92 | 102 | 82 | 62.5 | 60.5 |
| EAMM-A-N80-120GB | 140 | 92 | 122 | 82 | 82.5 | 37 |
| EAMM-A-N80-120GC | 140 | 92 | 124 | 82 | 92.5 | 47 |
| EAMM-A-N80-150A | 151 | 100 | 151 | 90 | 72.5 | 30 |

Datasheet

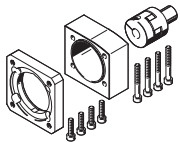
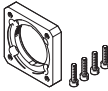
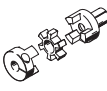
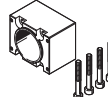

| Ordering data – Individual components | | | | |
|---|---|---|---|---|
| Axial kit | Consisting of: | | | |
| | Motor flange | Coupling | Coupling housing | Screw kit |
|  |  |  |  |  |
| Part no. Type | Part no. Type | Part no. Type | Part no. Type | Part no. Type |
| ★ 557974 EAMM-A-L27-40G | 558015 EAMF-A-L27-40G | 557998 EAMD-19-15-10-8X10 | – | – |
| 557975 EAMM-A-L27-55A | 558016 EAMF-A-L27-55A | 557999 EAMD-19-15-9-8X10 | – | – |
| ★ 560678 EAMM-A-L27-57A | 560690 EAMF-A-L27-57A | 561292 EAMD-16-15-6.35-8X10 | – | – |
| 1454261 EAMM-A-L27-67A | 1460087 EAMF-A-L27-67A | 557999 EAMD-19-15-9-8X10 | – | – |
| 3683331 EAMM-A-L38-55A | 558176 EAMF-A-38A-55A | 3717923 EAMD-25-22-9-10X12 | 558011 EAMK-A-L38-38A | 567484 EAHM-L2-M5-30 |
| ★ 560679 EAMM-A-L38-57A | 560692 EAMF-A-38A-57A | 561293 EAMD-25-22-6.35-10X12 | 558011 EAMK-A-L38-38A | 567484 EAHM-L2-M5-30 |
| ★ 557978 EAMM-A-L38-60G | 558017 EAMF-A-38A-60G/H | 558000 EAMD-25-22-11-10X12 | 558011 EAMK-A-L38-38A | 567485 EAHM-L2-M5-35 |
| 1456610 EAMM-A-L38-60H | 558017 EAMF-A-38A-60G/H | 1453861 EAMD-28-22-14-10X12 | 558011 EAMK-A-L38-38A | 567485 EAHM-L2-M5-35 |
| ★ 2037246 EAMM-A-L38-60P | 1987412 EAMF-A-38A-60P | 1453861 EAMD-28-22-14-10X12 | 558011 EAMK-A-L38-38A | 567485 EAHM-L2-M5-35 |
| 557979 EAMM-A-L38-70A | 558018 EAMF-A-38A-70A | 558000 EAMD-25-22-11-10X12 | 558011 EAMK-A-L38-38A | 567484 EAHM-L2-M5-30 |
| ★ 560680 EAMM-A-L38-87A | 560693 EAMF-A-38A-87A | 558000 EAMD-25-22-11-10X12 | 558011 EAMK-A-L38-38A | 567485 EAHM-L2-M5-35 |
| ★ 557983 EAMM-A-L48-60G | 558019 EAMF-A-48A-60G/H | 558001 EAMD-32-32-11-16X20 | 558012 EAMK-A-L48-48A | 567487 EAHM-L2-M5-45 |
| 1456611 EAMM-A-L48-60H | 558019 EAMF-A-48A-60G/H | 1377840 EAMD-32-32-14-16X20 | 558012 EAMK-A-L48-48A | 567487 EAHM-L2-M5-45 |
| 557982 EAMM-A-L48-70A | 558025 EAMF-A-48A-70A | 558001 EAMD-32-32-11-16X20 | 558012 EAMK-A-L48-48A | 567486 EAHM-L2-M5-40 |
| ★ 560683 EAMM-A-L48-87A | 560695 EAMF-A-48A-87A | 558001 EAMD-32-32-11-16X20 | 558012 EAMK-A-L48-48A | 567487 EAHM-L2-M5-45 |
| ★ 557989 EAMM-A-L62-80G | 558021 EAMF-A-62A-80G | 558004 EAMD-56-46-20-23X27 | 558013 EAMK-A-L62-62A | 567492 EAHM-L2-M6-65-L |
| 8157270 EAMM-A-L62-150A | – | 558005 EAMD-56-46-24-23X27 | 8159893 EAMK-A-L62-150A | – |
| 3660191 EAMM-A-L95-80G-G2 | 3305700 EAMF-A-95B-80G | 3717812 EAMD-67-51-20-32X32-U | 3712650 EAMK-A-L95-95A/B-G2 | – |
| ★ 3659941 EAMM-A-L95-120G-G2 | 3659724 EAMF-A-95A-120G-G2 | 558006 EAMD-67-51-25-32X32-U | 3712650 EAMK-A-L95-95A/B-G2 | 567496 EAHM-L2-M8-70 |
| 8157280 EAMM-A-L95-150A-G2 | 8157268 EAMF-A-95A-150A | 558008 EAMD-67-51-24-32X32-U | 3712650 EAMK-A-L95-95A/B-G2 | 1201751 EAHM-L5-M8-75 |
| 3659562 EAMM-A-L95-190A-G2 | 1378473 EAMF-A-95A-190A | 1379269 EAMD-67-51-32-32X32-U | 3712650 EAMK-A-L95-95A/B-G2 | 567497 EAHM-L2-M8-80 |
| 8157282 EAMM-A-L95-190B-G2 | 8157269 EAMF-A-95A-190B | 8164977 EAMD-67-60-32-32X32-U | 3712650 EAMK-A-L95-95A/B-G2 | 567497 EAHM-L2-M8-80 |

Festo Core Range



Generally ready for shipping ex works in 24 hours
 Generally ready for shipping ex works in 5 days

Datasheet

| Ordering data – Individual components | | | | |
|---|---|---|---|---|
| Axial kit | Consisting of: | | | |
| | Motor flange | Coupling | Coupling housing | Screw kit |
|  |  |  |  |  |
| Part no. Type | Part no. Type | Part no. Type | Part no. Type | Part no. Type |
| ★ 1202253 EAMM-A-N38-60G | 1190015 EAMF-A-38D-60G/H | 558001 EAMD-32-32-11-16X20 | 1345947 EAMK-A-N38-38D | 1202262 EAHM-L5-M6-40 |
| 1456616 EAMM-A-N38-60H | 1190015 EAMF-A-38D-60G/H | 1377840 EAMD-32-32-14-16X20 | 1345947 EAMK-A-N38-38D | 1202262 EAHM-L5-M6-40 |
| 1202331 EAMM-A-N38-70A | 1202337 EAMF-A-38D-70A | 558001 EAMD-32-32-11-16X20 | 1345947 EAMK-A-N38-38D | 1202288 EAHM-L5-M6-35 |
| ★ 3324111 EAMM-A-N38-87A | 3319868 EAMF-A-38D-87A | 558001 EAMD-32-32-11-16X20 | 1345947 EAMK-A-N38-38D | 1202288 EAHM-L5-M6-35 |
| ★ 1972527 EAMM-A-N48-60G | 1460111 EAMF-A-48C-60G/H | 558001 EAMD-32-32-11-16X20 | 1345949 EAMK-A-N48-48C | 4984529 EAHM-L5-M6-45 |
| 1456618 EAMM-A-N48-60H | 1460111 EAMF-A-48C-60G/H | 1377840 EAMD-32-32-14-16X20 | 1345949 EAMK-A-N48-48C | 4984529 EAHM-L5-M6-45 |
| ★ 1258793 EAMM-A-N48-80G | 1190375 EAMF-A-48C-80G | 1781043 EAMD-42-40-20-16X25-U | 1345949 EAMK-A-N48-48C | 1201874 EAHM-L5-M6-50 |
| 8063592 EAMM-A-N48-80P | – | 558002 EAMD-42-40-19-16X25 | 5204317 EAMK-A-N48-80P | – |
| 1201894 EAMM-A-N48-100A | 1201924 EAMF-A-48C-100A | 558002 EAMD-42-40-19-16X25 | 1345949 EAMK-A-N48-48C | 1201874 EAHM-L5-M6-50 |
| ★ 2372096 EAMM-A-N80-80G | 2372201 EAMF-A-80A-80G | 558004 EAMD-56-46-20-23X27 | 1345953 EAMK-A-N80-80A | 1201712 EAHM-L5-M8-60 |
| ★ 1201695 EAMM-A-N80-120G | 1190702 EAMF-A-80A-120G | 1188801 EAMD-56-46-25-23X27 | 1345953 EAMK-A-N80-80A | 1201712 EAHM-L5-M8-60 |
| 8157277 EAMM-A-N80-150A | – | 558005 EAMD-56-46-24-23X27 | 8159896 EAMK-A-N80-150A | – |

Festo Core Range



Generally ready for shipping ex works in 24 hours

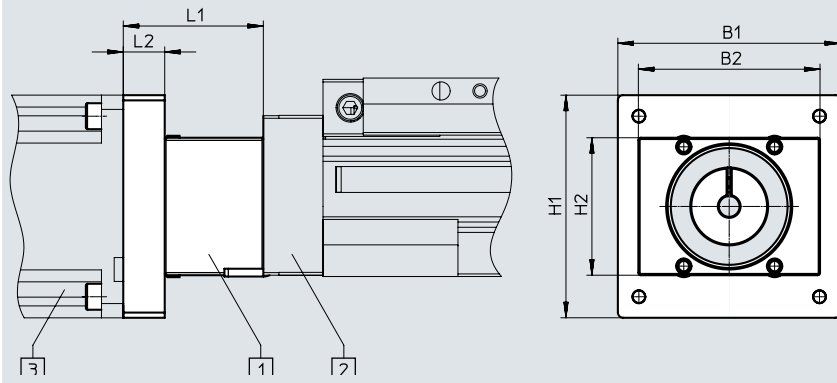
Generally ready for shipping ex works in 5 days

Datasheet

Dimensions (sample illustration)

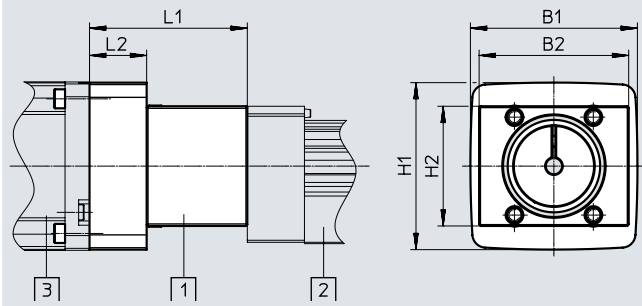
Download CAD data → www.festo.com

EGC-BS-...



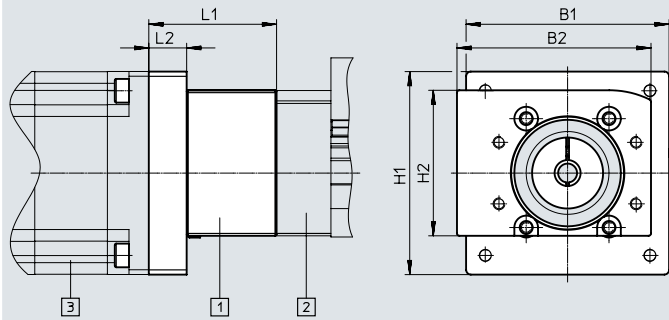
- Main illustration:
 [1] Axial kit
 [2] Spindle axis
 [3] Motor

ELGA-BS-...-



- Main illustration:
 [1] Axial kit
 [2] Spindle axis
 [3] Motor

EGC-HD-BS-...

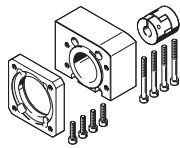
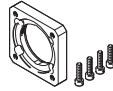
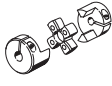
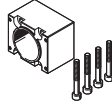



- Main illustration:
 [1] Axial kit
 [2] Spindle axis
 [3] Motor

Datasheet

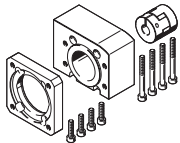
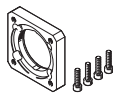
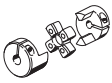
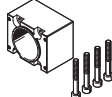

| Type | B1 | B2 | H1 | H2 | L1 | L2 |
|--------------------|-------|-----|-------|-----|------|------|
| EAMM-A-S38-40A-G2 | 58 | 55 | 44 | 44 | 44 | 7 |
| EAMM-A-S38-40G-G2 | 60 | 55 | 60 | 44 | 54 | 17 |
| EAMM-A-S38-40P-G2 | 58 | 55 | 44 | 44 | 44.7 | 10.7 |
| EAMM-A-S38-42A-G2 | 58 | 55 | 44 | 44 | 52 | 15 |
| EAMM-A-S38-50GA | 62 | 55 | 62 | 44 | 60.3 | 23.3 |
| EAMM-A-S38-55A-G2 | 55 | 55 | 55 | 44 | 48 | 11 |
| EAMM-A-S38-57A-G2 | 56 | 55 | 56 | 44 | 48 | 11 |
| EAMM-A-S38-58AA | 58 | 55 | 58 | 44 | 47.6 | 10.6 |
| EAMM-A-S38-60AA | 60 | 55 | 60 | 44 | 48.5 | 11.5 |
| EAMM-A-S38-60R | 62 | 55 | 62 | 44 | 48.8 | 11.8 |
| EAMM-A-S38-60RA | 62 | 55 | 62 | 44 | 48.8 | 11.8 |
| EAMM-A-S38-60P-G2 | 61.4 | 55 | 61.4 | 44 | 58 | 21 |
| EAMM-A-S38-67A-G2 | 67 | 55 | 67 | 44 | 53 | 16 |
| EAMM-A-S48-40G-G2 | 70 | 70 | 54 | 53 | 55 | – |
| EAMM-A-S48-50GA | 70 | 70 | 54 | 53 | 52 | 14 |
| EAMM-A-S48-55A-G2 | 70 | 70 | 55 | 53 | 47.2 | 9.2 |
| EAMM-A-S48-57A-G2 | 70 | 70 | 55 | 53 | 47.2 | 9.2 |
| EAMM-A-S48-58AA | 70 | 70 | 58 | 53 | 47.2 | 9.2 |
| EAMM-A-S48-60AA | 60 | 70 | 60 | 53 | 48.5 | 10.5 |
| EAMM-A-S48-60G-G2 | 60 | 70 | 60 | 53 | 62.5 | 24.5 |
| EAMM-A-S48-60H-G2 | 60 | 70 | 60 | 53 | 62.5 | 24.5 |
| EAMM-A-S48-60P-G2 | 61.4 | 70 | 61.4 | 53 | 57.2 | 19.2 |
| EAMM-A-S48-60RA | 62 | 70 | 62 | 53 | 57.2 | 19.2 |
| EAMM-A-S48-70A-G2 | 70 | 70 | 70 | 53 | 50.2 | 12.2 |
| EAMM-A-S48-70AA | 70 | 70 | 70 | 53 | 57.3 | 19.3 |
| EAMM-A-S48-87A-G2 | 85.8 | 70 | 85.8 | 53 | 54 | 16 |
| EAMM-A-S62-60G-G2 | 80 | 80 | 80 | 70 | 84.5 | 18 |
| EAMM-A-S62-60H-G2 | 80 | 80 | 80 | 70 | 84.5 | 18 |
| EAMM-A-S62-70A-G2 | 82 | 80 | 70 | 70 | 78.5 | 12 |
| EAMM-A-S62-70GA | 82 | 80 | 82 | 70 | 79.5 | 13 |
| EAMM-A-S62-80G-G2 | 100 | 80 | 100 | 70 | 81 | 14.5 |
| EAMM-A-S62-80P-G2 | 81.3 | 80 | 81.3 | 70 | 77 | 10.5 |
| EAMM-A-S62-80PB | 82 | 80 | 82 | 70 | 77 | 10.5 |
| EAMM-A-S62-82AA | 82 | 80 | 82 | 70 | 79 | 12.5 |
| EAMM-A-S62-84AA | 84 | 80 | 84 | 70 | 81 | 14.5 |
| EAMM-A-S62-87A-G2 | 85.8 | 80 | 85.8 | 70 | 81.5 | 15 |
| EAMM-A-S62-100A-G2 | 100.5 | 80 | 100.5 | 70 | 81 | 14.5 |
| EAMM-A-S62-150A-G2 | 151 | 80 | 151 | 70 | 91 | 24.5 |
| EAMM-A-S95-84AA | 140 | 140 | 110 | 110 | 85.5 | 17 |
| EAMM-A-S95-90GA | 140 | 140 | 110 | 110 | 94 | 21.9 |
| EAMM-A-S95-100A-G2 | 140 | 140 | 100 | 110 | 85.5 | 17 |
| EAMM-A-S95-150A-G2 | 151 | 140 | 151 | 110 | 95.5 | 30 |

Datasheet

| Ordering data – Individual components | | | | |
|---|---|---|---|---|
| Axial kit | Consisting of: | | | |
| | Motor flange | Coupling | Coupling housing | Screw kit |
|  |  |  |  |  |
| Part no. Type | Part no. Type | Part no. Type | Part no. Type | Part no. Type |
| 3637971 EAMM-A-S38-40A-G2 | 558175 EAMF-A-38B-40A | 558312 EAMC-30-32-6-6 | 3637942 EAMK-A-S38-38A/B-G2 | – |
| 1456647 EAMM-A-S38-40G-G2 | 1460097 EAMF-A-38A-40G | 562681 EAMC-30-32-6-10 | 3637942 EAMK-A-S38-38A/B-G2 | 567488 EAHM-L2-M5-50 |
| ★ 3637972 EAMM-A-S38-40P-G2 | 2219077 EAMF-A-38B-40P | 533708 EAMC-30-32-6-8 | 3637942 EAMK-A-S38-38A/B-G2 | – |
| ★ 3637965 EAMM-A-S38-42A-G2 | 560691 EAMF-A-38B-42A | 561333 EAMC-30-32-5-6 | 3637942 EAMK-A-S38-38A/B-G2 | – |
| 3637967 EAMM-A-S38-55A-G2 | 558176 EAMF-A-38A-55A | 551003 EAMC-30-32-6-9 | 3637942 EAMK-A-S38-38A/B-G2 | 567488 EAHM-L2-M5-50 |
| ★ 3637956 EAMM-A-S38-57A-G2 | 560692 EAMF-A-38A-57A | 551002 EAMC-30-32-6-6.35 | 3637942 EAMK-A-S38-38A/B-G2 | 567488 EAHM-L2-M5-50 |
| ★ 3637958 EAMM-A-S38-60P-G2 | 1987412 EAMF-A-38A-60P | 1233256 EAMC-30-32-6-14 | 3637942 EAMK-A-S38-38A/B-G2 | 567489 EAHM-L2-M5-55 |
| 1456638 EAMM-A-S38-67A-G2 | 1490100 EAMF-A-38A-67A | 551003 EAMC-30-32-6-9 | 3637942 EAMK-A-S38-38A/B-G2 | 567489 EAHM-L2-M5-55 |
| 1456650 EAMM-A-S48-40G-G2 | 4067069 EAMF-A-48B-40G | 558029 EAMC-30-32-8-10 | 3637941 EAMK-A-S48-48A/B-G2 | – |
| 3637961 EAMM-A-S48-55A-G2 | 558177 EAMF-A-48B-55A | 543423 EAMC-30-32-8-9 | 3637941 EAMK-A-S48-48A/B-G2 | – |
| ★ 3637963 EAMM-A-S48-57A-G2 | 560694 EAMF-A-48B-57A | 543421 EAMC-30-32-6.35-8 | 3637941 EAMK-A-S48-48A/B-G2 | – |
| 2256701 EAMM-A-S48-60G-G2 | 558019 EAMF-A-48A-60G/H | 551004 EAMC-30-32-8-11 | 3637941 EAMK-A-S48-48A/B-G2 | 567489 EAHM-L2-M5-55 |
| 1456652 EAMM-A-S48-60H-G2 | 558019 EAMF-A-48A-60G/H | 562682 EAMC-30-32-8-14 | 3637941 EAMK-A-S48-48A/B-G2 | 567489 EAHM-L2-M5-55 |
| ★ 3637964 EAMM-A-S48-60P-G2 | 2220620 EAMF-A-48A-60P | 562682 EAMC-30-32-8-14 | 3637941 EAMK-A-S48-48A/B-G2 | 567489 EAHM-L2-M5-55 |



Datasheet

| Ordering data – Individual components | | | | |
|---|---|---|---|---|
| Axial kit | Consisting of: | | | |
| | Motor flange | Coupling | Coupling housing | Screw kit |
|  |  |  |  |  |
| Part no. Type | Part no. Type | Part no. Type | Part no. Type | Part no. Type |
| 3637957 EAMM-A-S48-70A-G2 | 558025 EAMF-A-48A-70A | 551004 EAMC-30-32-8-11 | 3637941 EAMK-A-S48-48A/B-G2 | 567488 EAHM-L2-M5-50 |
| ★ 3637962 EAMM-A-S48-87A-G2 | 560695 EAMF-A-48A-87A | 551004 EAMC-30-32-8-11 | 3637941 EAMK-A-S48-48A/B-G2 | 567489 EAHM-L2-M5-55 |
| 2297649 EAMM-A-S62-60G-G2 | 1460112 EAMF-A-62A-60G/H | 525864 EAMC-40-66-11-12 | 3637940 EAMK-A-S62-62A/B-G2 | 567495 EAHM-L2-M6-90 |
| 1456654 EAMM-A-S62-60H-G2 | 1460112 EAMF-A-62A-60G/H | 1452803 EAMC-40-66-12-14 | 3637940 EAMK-A-S62-62A/B-G2 | 567495 EAHM-L2-M6-90 |
| 3637959 EAMM-A-S62-70A-G2 | 558179 EAMF-A-62B-70A | 558313 EAMC-42-66-11-12 | 3637940 EAMK-A-S62-62A/B-G2 | – |
| 1972530 EAMM-A-S62-80G-G2 | 2116672 EAMF-A-62B-80G | 2138701 EAMC-42-50-12-20 | 3637940 EAMK-A-S62-62A/B-G2 | – |
| ★ 3637970 EAMM-A-S62-80P-G2 | 2222624 EAMF-A-62B-80P | 551005 EAMC-42-50-12-19 | 3637940 EAMK-A-S62-62A/B-G2 | – |
| ★ 3637966 EAMM-A-S62-87A-G2 | 560696 EAMF-A-62B-87A | 558313 EAMC-42-66-11-12 | 3637940 EAMK-A-S62-62A/B-G2 | – |
| ★ 3637960 EAMM-A-S62-100A-G2 | 558026 EAMF-A-62A-100A | 551005 EAMC-42-50-12-19 | 3637940 EAMK-A-S62-62A/B-G2 | 567494 EAHM-L2-M6-80 |
| 8157272 EAMM-A-S62-150A-G2 | 8156626 EAMF-A-62A-150A | 558314 EAMC-42-50-12-24 | 3637940 EAMK-A-S62-62A/B-G2 | 567495 EAHM-L2-M6-90 |
| 3637955 EAMM-A-S95-100A-G2 | 558182 EAMF-A-95B-100A | 558315 EAMC-56-58-19-25 | 3637939 EAMK-A-S95-95A/B-G2 | – |
| 8157279 EAMM-A-S95-150A-G2 | – | 558316 EAMC-56-58-24-25 | 8160697 EAMK-A-S95-150A | – |

Festo Core Range



Generally ready for shipping ex works in 24 hours

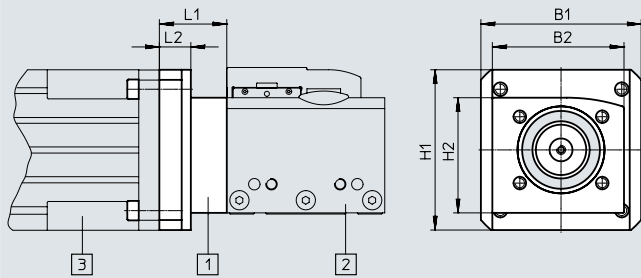
Generally ready for shipping ex works in 5 days

Datasheet

Dimensions (sample illustration)

Download CAD data → www.festo.com

EGC-HD-TB...



Main illustration:

- [1] Axial kit
- [2] Toothed belt axis
- [3] Motor

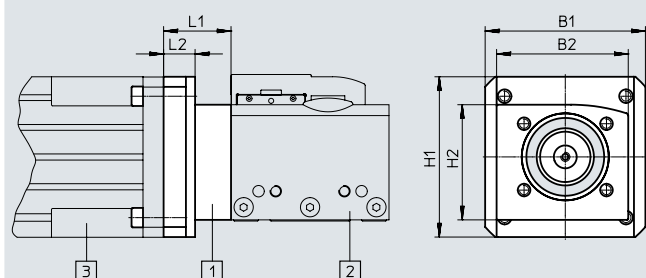
| Type | B1 | B2 | H1 | H2 | L1 | L2 |
|------------------|-----|----|-----|----|------|------|
| EAMM-A-M43-40G | 58 | 56 | 55 | 50 | 23.8 | 21.8 |
| EAMM-A-M43-50GA | 58 | 56 | 55 | 50 | 22.3 | 20.3 |
| EAMM-A-M43-55A | 58 | 56 | 55 | 50 | 17.8 | 15.8 |
| EAMM-A-M43-56GA | 60 | 56 | 56 | 50 | 36.9 | 34.9 |
| EAMM-A-M43-60G | 60 | – | 60 | – | 33 | – |
| EAMM-A-M43-60H | 60 | – | 60 | – | 33 | – |
| EAMM-A-M43-68GA | 64 | 56 | 64 | 50 | 45.9 | 33.9 |
| EAMM-A-M43-70GA | 73 | 56 | 73 | 50 | 33.9 | 31.9 |
| EAMM-A-M43-72GA | 72 | 56 | 72 | 50 | 45.9 | 33.9 |
| EAMM-A-M43-70A | 70 | 56 | 70 | 50 | 20.9 | 18.9 |
| EAMM-A-M43-70AA | 70 | 56 | 70 | 50 | 27.9 | 15.9 |
| EAMM-A-M43-90R | 90 | 56 | 90 | 50 | 32.9 | 20.9 |
| EAMM-A-M43-92RA | 90 | 56 | 90 | 50 | 37.9 | 25.9 |
| EAMM-A-M48-40G | 68 | – | 60 | – | 17.5 | – |
| EAMM-A-M48-50GA | 68 | – | 58 | – | 16 | – |
| EAMM-A-M48-56GA | 68 | 65 | 58 | 56 | 30.5 | 26.5 |
| EAMM-A-M48-60H | 66 | – | 60 | – | 26 | – |
| EAMM-A-M48-60G | 65 | 65 | 60 | 56 | 26.5 | 22.5 |
| EAMM-A-M48-68GA | 68 | 65 | 68 | 56 | 39.5 | 35.5 |
| EAMM-A-M48-70GA | 73 | 65 | 73 | 56 | 27.5 | 23.5 |
| EAMM-A-M48-72GA | 72 | 65 | 72 | 56 | 39.5 | 35.5 |
| EAMM-A-M48-75GA | 75 | 65 | 75 | 56 | 47.5 | 43.5 |
| EAMM-A-M48-88A | 88 | 65 | 88 | 56 | 21.5 | 17.5 |
| EAMM-A-M48-84AA | 96 | 65 | 96 | 56 | 31.5 | 27.5 |
| EAMM-A-M48-80G | 100 | – | 100 | – | 32 | – |
| EAMM-A-M48-90GA | 93 | 65 | 93 | 56 | 37.5 | 33.5 |
| EAMM-A-M48-90GB | 132 | 64 | 94 | 52 | 31.5 | 31 |
| EAMM-A-M48-120GA | 90 | 65 | 90 | 56 | 31.5 | 27.5 |

Datasheet

Dimensions (sample illustration)

Download CAD data → www.festo.com

EGC-HD-TB-...



Main illustration:

- [1] Axial kit
- [2] Toothed belt axis
- [3] Motor

| Type | B1 | B2 | H1 | H2 | L1 | L2 |
|------------------|-----|----|-----|----|------|------|
| EAMM-A-M80-68GA | 96 | 92 | 96 | 82 | 26.5 | 24.5 |
| EAMM-A-M80-75GA | 96 | 92 | 96 | 82 | 35 | 33 |
| EAMM-A-M80-84AA | 96 | 92 | 96 | 82 | 27 | 25 |
| EAMM-A-M80-80G | 96 | 92 | 96 | 82 | 19 | 15 |
| EAMM-A-M80-90GA | 116 | 92 | 96 | 82 | 33 | 31 |
| EAMM-A-M80-115GA | 116 | 92 | 102 | 82 | 67 | 65 |
| EAMM-A-M80-120G | 124 | – | 124 | – | 34 | – |
| EAMM-A-M80-120GA | 140 | 92 | 102 | 82 | 35 | 33 |
| EAMM-A-M80-120GB | 140 | 92 | 122 | 82 | 39 | 37 |
| EAMM-A-M80-120GC | 140 | 92 | 124 | 82 | 49 | 47 |

Ordering data – Individual components

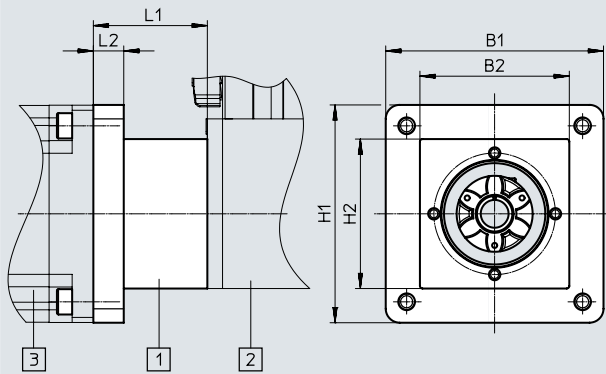
| Axial kit | Consisting of: | | |
|----------------------------|-----------------------------|----------------------------------|-------------------------|
| | Motor flange | Coupling | Centring ring |
| | | | |
| Part no. Type | Part no. Type | Part no. Type | Part no. Type |
| 1190076 EAMM-A-M43-60G | 1597579 EAMF-A-43D-60G/H | 558001 EAMD-32-32-11-16X20 | 575962 EAML-43-4-43 |
| 1456612 EAMM-A-M43-60H | 1597579 EAMF-A-43D-60G/H | 1377840 EAMD-32-32-14-16X20 | 575962 EAML-43-4-43 |
| 1456614 EAMM-A-M48-60H | 1460111 EAMF-A-48C-60G/H | 3420022 EAMD-42-40-14-16X25-U | 558031 EAML-48-4-48 |
| 1190421 EAMM-A-M48-80G | 1190375 EAMF-A-48C-80G | 1781043 EAMD-42-40-20-16X25-U | 558031 EAML-48-4-48 |
| 1190774 EAMM-A-M80-120G | 1190702 EAMF-A-80A-120G | 1781045 EAMD-56-46-25-23X27-U | 1209006 EAML-80-6-80 |

Datasheet

Dimensions (sample illustration)

Download CAD data → www.festo.com

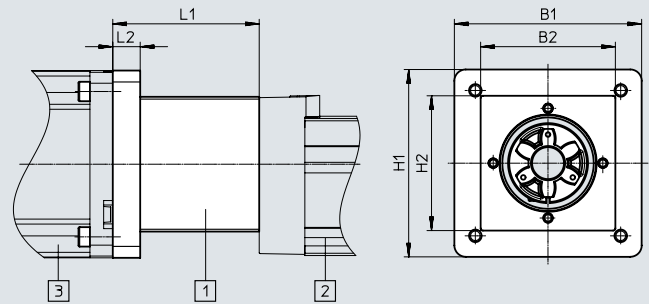
ELGC-TB-...



Main illustration:

- [1] Axial kit
- [2] Toothed belt axis
- [3] Motor

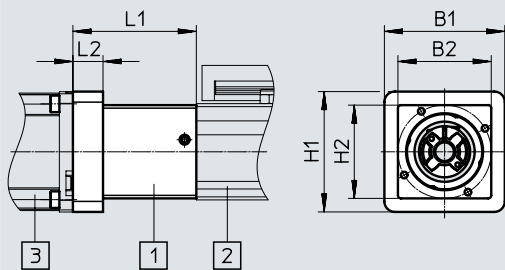
ELGC-BS-...



Main illustration:

- [1] Axial kit
- [2] Spindle axis
- [3] Motor

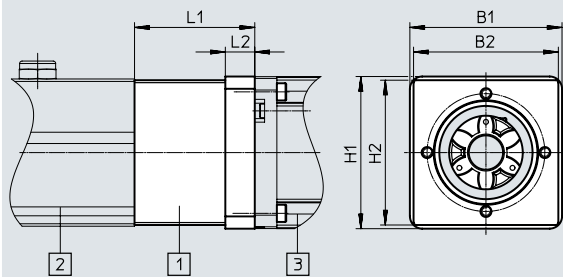
EGSC-BS-...



Main illustration:

- [1] Axial kit
- [2] Mini slide
- [3] Motor

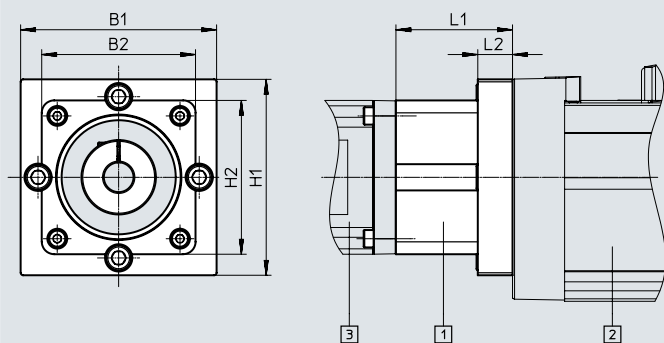
EPCC



Main illustration:

- [1] Axial kit
- [2] Electric cylinder
- [3] Motor

ELGT-BS-...



Main illustration:

- [1] Axial kit
- [2] Spindle axis
- [3] Motor

Datasheet

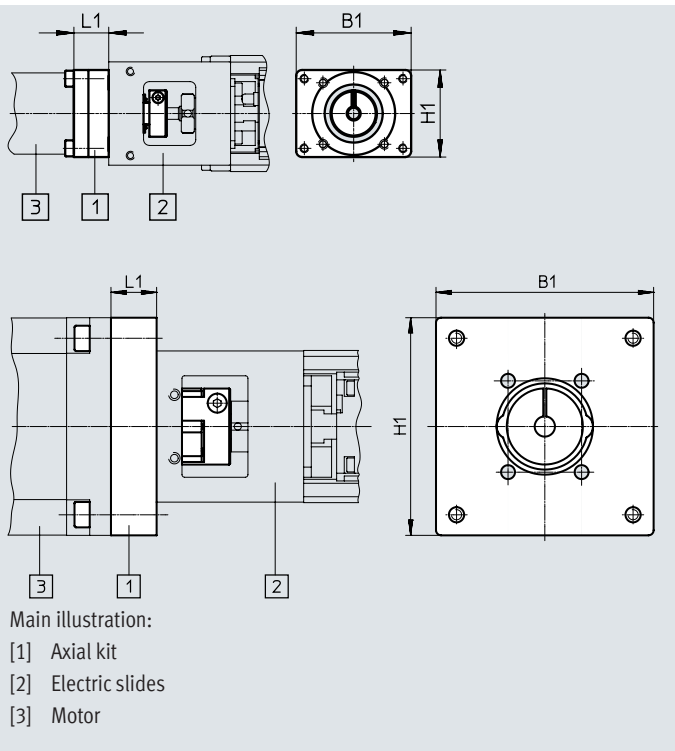
| Dimensions and ordering data | | | | | | |
|------------------------------|------|------|------|------|------------|-----|
| Type | B1 | B2 | H1 | H2 | L1 ±0.1 | L2 |
| EAMM-A-V20-28A | 28 | 24.5 | 28 | 24.5 | 36.4 | 4 |
| EAMM-A-V20-28AA | 28 | 24.5 | 28 | 24.5 | 31.4 | 5.5 |
| EAMM-A-V25-35A | 35.2 | 31 | 35.2 | 31 | 40 | 7 |
| EAMM-A-V25-38AA | 38 | 31 | 38 | 31 | 46 | 12 |
| EAMM-A-V25-40P | 40 | 31 | 40 | 31 | 41 | 10 |
| EAMM-A-V25-40R | 40 | 31 | 40 | 31 | 46 | 14 |
| EAMM-A-V25-40RA | 40 | 31 | 40 | 31 | 39 | 14 |
| EAMM-A-V25-42A | 42 | 31 | 42 | 31 | 40 | 6 |
| EAMM-A-V25-42AB | 42 | 31 | 42 | 31 | 36 | 6 |
| EAMM-A-V32-38AA | 38 | 44 | 38 | 44 | 46 | 35 |
| EAMM-A-V32-40P | 40 | 44 | 40 | 44 | 41 | 30 |
| EAMM-A-V32-40R | 40 | 44 | 40 | 44 | 46 | 35 |
| EAMM-A-V32-40RA | 40 | 44 | 40 | 44 | 39 | 28 |
| EAMM-A-V32-42A | 42 | 44 | 42 | 44 | 40 | 32 |
| EAMM-A-V32-42AB | 42 | 44 | 42 | 44 | 36 | 28 |
| EAMM-A-V32-57A | 56.4 | 44 | 56.4 | 44 | 41.5 | 11 |
| EAMM-A-V32-58AA | 58 | 44 | 58 | 44 | 41 | 17 |
| EAMM-A-V32-60AA | 60 | 44 | 60 | 44 | 42 | 17 |
| EAMM-A-V32-60P | 62 | 44 | 62 | 44 | 55.1 | 11 |
| EAMM-A-V32-60PA | 62 | 44 | 62 | 44 | 55 | 17 |
| EAMM-A-V32-60RA | 62 | 44 | 62 | 44 | 55 | 17 |
| EAMM-A-T42-55A | 59 | 59 | 59 | 59 | 43 | – |
| EAMM-A-T42-57A | 59 | 59 | 59 | 59 | 43 | – |
| EAMM-A-T42-58AA | 59 | 59 | 59 | 59 | 43 | – |
| EAMM-A-T42-60AA | 59 | 59 | 59 | 59 | 43 | – |
| EAMM-A-T42-60AB | 59 | 59 | 59 | 59 | 43 | – |
| EAMM-A-T42-60P | 62 | 59 | 62 | 59 | 49 | 12 |
| EAMM-A-T42-60R | 62 | 59 | 62 | 59 | 49 | 12 |
| EAMM-A-T42-60RA | 62 | 59 | 62 | 59 | 49 | 12 |
| EAMM-A-T42-67A | 67 | 59 | 67 | 59 | 43 | 16 |
| EAMM-A-T42-80P | 82 | 59 | 82 | 59 | 64.1 | 12 |
| EAMM-A-T42-87A | 86 | 59 | 86 | 59 | 45 | 12 |
| EAMM-A-T46-57A | 79 | 56.4 | 79 | 56.4 | 42 | 14 |
| EAMM-A-T46-60P | 62 | 79 | 62 | 79 | 47 | 33 |
| EAMM-A-T46-60R | 62 | 79 | 62 | 79 | 47 | 33 |
| EAMM-A-T46-60RA | 62 | 79 | 62 | 79 | 47 | 33 |
| EAMM-A-T46-67A | 67 | 79 | 67 | 79 | 42 | 28 |
| EAMM-A-T46-70A | 79 | 79 | 79 | 79 | 42 | – |
| EAMM-A-T46-70AA | 79 | 79 | 79 | 79 | 47 | – |
| EAMM-A-T46-80P | 79 | 79 | 79 | 79 | 63.1 | – |
| EAMM-A-T46-80PA | 79 | 79 | 79 | 79 | 68.5 | – |
| EAMM-A-T46-80PB | 79 | 79 | 79 | 79 | 68.5 | – |
| EAMM-A-T46-85AA | 85 | 79 | 85 | 79 | 55 | 14 |
| EAMM-A-T46-87A | 86 | 79 | 86 | 79 | 44 | 12 |
| EAMM-A-T46-100A | 100 | 79 | 100 | 79 | 68.1 | 22 |

Datasheet

Dimensions (sample illustration)

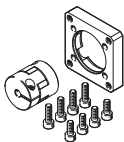
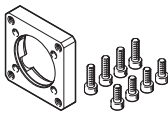
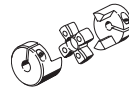
Download CAD data → www.festo.com

EGSK...

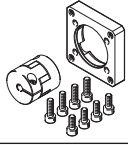
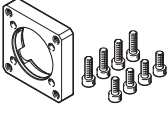
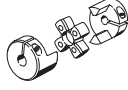


| Type | B1 | H1 | L1 |
|--------------------|------|------|-------|
| EAMM-A-P3-28D-28A | 30 | 30 | 15 |
| EAMM-A-P3-28D-40P | 39.7 | 39.7 | 14.5 |
| EAMM-A-P4-28B-28A | 39.6 | 30 | 12 |
| EAMM-A-P4-28B-38AA | 38 | 38 | 17.5 |
| EAMM-A-P4-28B-40A | 40 | 40 | 8.3 |
| EAMM-A-P4-28B-40P | 39.7 | 39.7 | 12.5 |
| EAMM-A-P4-28B-40R | 40 | 40 | 17.5 |
| EAMM-A-P4-28B-40RA | 40 | 40 | 10.5 |
| EAMM-A-P4-28B-42A | 42 | 42 | 16.5 |
| EAMM-A-P5-28B-28A | 39.6 | 30 | 12 |
| EAMM-A-P5-28B-38AA | 38 | 38 | 17.5 |
| EAMM-A-P5-28B-40A | 40 | 40 | 8.3 |
| EAMM-A-P5-28B-40P | 39.7 | 39.7 | 12.5 |
| EAMM-A-P5-28B-40R | 40 | 40 | 17.5 |
| EAMM-A-P5-28B-40RA | 40 | 40 | 10.5 |
| EAMM-A-P5-28B-42A | 42 | 42 | 16.5 |
| EAMM-A-P6-38A-40A | 50 | 50 | 9 |
| EAMM-A-P6-38A-40G | 60 | 60 | 17 |
| EAMM-A-P6-38A-40P | 50 | 50 | 10.7 |
| EAMM-A-P6-38A-42A | 55 | 55 | 15 |
| EAMM-A-P6-38A-55A | 55 | 55 | 11 |
| EAMM-A-P6-38A-57A | 56 | 56 | 11 |
| EAMM-A-P6-38A-58AA | 58 | 58 | 10.6 |
| EAMM-A-P6-38A-60P | 61.4 | 61.4 | 21 |
| EAMM-A-P6-38A-60R | 61.4 | 61.4 | 21 |
| EAMM-A-P6-38A-60RA | 61.4 | 61.4 | 21 |
| EAMM-A-P6-38A-67A | 67 | 67 | 16 |
| EAMM-A-P8-38A-40A | 50 | 50 | 9 |
| EAMM-A-P8-38A-40G | 60 | 60 | 17 |
| EAMM-A-P8-38A-40P | 50 | 50 | 10.7 |
| EAMM-A-P8-38A-42A | 55 | 55 | 15 |
| EAMM-A-P8-38A-55A | 55 | 55 | 11 |
| EAMM-A-P8-38A-57A | 56 | 56 | 11 |
| EAMM-A-P8-38A-58AA | 58 | 58 | 10.6 |
| EAMM-A-P8-38A-60AA | 60 | 60 | 11.5 |
| EAMM-A-P8-38A-60P | 61.4 | 61.4 | 21 |
| EAMM-A-P8-38A-60R | 62 | 62 | 11.8 |
| EAMM-A-P8-38A-60RA | 62 | 62 | 11.8 |
| EAMM-A-P8-38A-67A | 67 | 67 | 16 |
| EAMM-A-P8-38A-70A | 70 | 70 | 13.8 |
| EAMM-A-P8-38A-70AA | 70 | 70 | 13.75 |
| EAMM-A-P8-38A-87A | 85.8 | 85.8 | 18 |
| EAMM-A-P10-38A-40G | 60 | 60 | 17 |
| EAMM-A-P10-38A-55A | 55 | 55 | 11 |
| EAMM-A-P10-38A-57A | 56 | 56 | 11 |
| EAMM-A-P10-38A-60P | 61.4 | 61.4 | 21 |
| EAMM-A-P10-38A-67A | 67 | 67 | 16 |
| EAMM-A-P10-38A-70A | 70 | 70 | 13.8 |
| EAMM-A-P10-38A-87A | 85.8 | 85.8 | 18 |

Datasheet

| Ordering data – Individual components | | |
|---|---|---|
| Axial kit | Consisting of: | |
| | Motor flange | Coupling |
|  |  |  |
| Part no. Type | Part no. Type | Part no. Type |
| 1703478 EAMM-A-P3-28D-28A | 1087613 EAMF-A-28D-28A | 562672 EAMC-16-20-3-5 |
| 1982886 EAMM-A-P3-28D-40P | 1982014 EAMF-A-28D-40P | 2310368 EAMC-16-20-3-8 |
| 1731466 EAMM-A-P4-28B-28A | 1704476 EAMF-A-28B-28A | 562674 EAMC-16-20-4-5 |
| 1983071 EAMM-A-P4-28B-40P | 1976704 EAMF-A-28B-40P | 562675 EAMC-16-20-4-8 |
| 562637 EAMM-A-P4-28B-40A | 552163 EAMF-A-28B-40A | 562673 EAMC-16-20-4-6 |
| 562636 EAMM-A-P4-28B-42A | 552164 EAMF-A-28B-42A | 562674 EAMC-16-20-4-5 |
| 1731474 EAMM-A-P5-28B-28A | 1704476 EAMF-A-28B-28A | 562676 EAMC-16-20-5-5 |
| 562641 EAMM-A-P5-28B-40A | 552163 EAMF-A-28B-40A | 543419 EAMC-16-20-5-6 |
| 1983122 EAMM-A-P5-28B-40P | 1976704 EAMF-A-28B-40P | 562677 EAMC-16-20-5-8 |
| 562640 EAMM-A-P5-28B-42A | 552164 EAMF-A-28B-42A | 562676 EAMC-16-20-5-5 |
| 562646 EAMM-A-P6-38A-40A | 562667 EAMF-A-38A-40A | 558312 EAMC-30-32-6-6 |
| 2297645 EAMM-A-P6-38A-40G | 1460097 EAMF-A-38A-40G | 562681 EAMC-30-32-6-10 |
| 1983450 EAMM-A-P6-38A-40P | 1984478 EAMF-A-38A-40P | 533708 EAMC-30-32-6-8 |
| 562644 EAMM-A-P6-38A-42A | 562668 EAMF-A-38A-42A | 561333 EAMC-30-32-5-6 |
| 562647 EAMM-A-P6-38A-55A | 558176 EAMF-A-38A-55A | 551003 EAMC-30-32-6-9 |
| 562645 EAMM-A-P6-38A-57A | 560692 EAMF-A-38A-57A | 551002 EAMC-30-32-6-6.35 |
| 2264375 EAMM-A-P6-38A-60P | 1987412 EAMF-A-38A-60P | 1233256 EAMC-30-32-6-14 |
| 2297641 EAMM-A-P6-38A-67A | 1490100 EAMF-A-38A-67A | 551003 EAMC-30-32-6-9 |

Datasheet

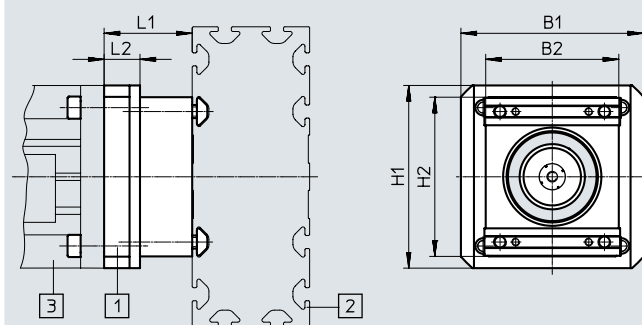
| Ordering data – Individual components | | |
|---|---|---|
| Axial kit | Consisting of: | |
| | Motor flange | Coupling |
|  |  |  |
| Part no. Type | Part no. Type | Part no. Type |
| 562652 EAMM-A-P8-38A-40A | 562667 EAMF-A-38A-40A | 533708 EAMC-30-32-6-8 |
| 2297646 EAMM-A-P8-38A-40G | 1460097 EAMF-A-38A-40G | 558029 EAMC-30-32-8-10 |
| 1986292 EAMM-A-P8-38A-40P | 1984478 EAMF-A-38A-40P | 543422 EAMC-30-32-8-8 |
| 562650 EAMM-A-P8-38A-42A | 562668 EAMF-A-38A-42A | 562678 EAMC-30-32-5-8 |
| 562653 EAMM-A-P8-38A-55A | 558176 EAMF-A-38A-55A | 543423 EAMC-30-32-8-9 |
| 562651 EAMM-A-P8-38A-57A | 560692 EAMF-A-38A-57A | 543421 EAMC-30-32-6.35-8 |
| 1987308 EAMM-A-P8-38A-60P | 1987412 EAMF-A-38A-60P | 562682 EAMC-30-32-8-14 |
| 2297643 EAMM-A-P8-38A-67A | 1490100 EAMF-A-38A-67A | 543423 EAMC-30-32-8-9 |
| 564996 EAMM-A-P8-38A-70A | 558018 EAMF-A-38A-70A | 551004 EAMC-30-32-8-11 |
| 564998 EAMM-A-P8-38A-87A | 560693 EAMF-A-38A-87A | 551004 EAMC-30-32-8-11 |
| 2297648 EAMM-A-P10-38A-40G | 1460097 EAMF-A-38A-40G | 2310372 EAMC-30-32-10-10 |
| 562659 EAMM-A-P10-38A-55A | 558176 EAMF-A-38A-55A | 562680 EAMC-30-32-9-10 |
| 562658 EAMM-A-P10-38A-57A | 560692 EAMF-A-38A-57A | 562679 EAMC-30-32-6.35-10 |
| 2036017 EAMM-A-P10-38A-60P | 1987412 EAMF-A-38A-60P | 562683 EAMC-30-32-10-14 |
| 2297644 EAMM-A-P10-38A-67A | 1490100 EAMF-A-38A-67A | 562680 EAMC-30-32-9-10 |
| 564997 EAMM-A-P10-38A-70A | 558018 EAMF-A-38A-70A | 565008 EAMC-30-32-10-11 |
| 564999 EAMM-A-P10-38A-87A | 560693 EAMF-A-38A-87A | 565008 EAMC-30-32-10-11 |

Datasheet

Dimensions (sample illustration)

Download CAD data → www.festo.com

ELGG-..., ELGR-...

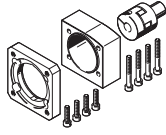
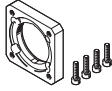
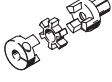
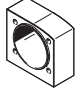


Main illustration:

- [1] Axial kit
- [2] Toothed belt axis
- [3] Motor

| Type | B1 | B2 | H1 | H2 | L1 | L2 |
|-----------------|-------|------|-------|------|------|------|
| EAMM-A-R27-40G | 60 | 44.5 | 60 | 48.3 | 32 | 17 |
| EAMM-A-R27-55A | 55 | 44.5 | 55 | 48.3 | 26 | 11 |
| EAMM-A-R27-57A | 56 | 44.5 | 56 | 48.3 | 26 | 11 |
| EAMM-A-R27-67A | 67 | 44.5 | 67 | 48.3 | 31 | 16 |
| EAMM-A-R38-40G | 60 | 51 | 60 | 61 | 37 | 17 |
| EAMM-A-R38-57A | 56 | – | – | – | 31 | – |
| EAMM-A-R38-60G | 60 | 51 | 60 | 61 | 46 | 26 |
| EAMM-A-R38-60H | 60 | 51 | 60 | 61 | 46 | 26 |
| EAMM-A-R38-60P | 61.4 | 51 | 61.4 | 61 | 41 | 21 |
| EAMM-A-R38-70A | 70 | 51 | 70 | 61 | 33.8 | 13.8 |
| EAMM-A-R38-87A | 85.8 | 51 | 85.8 | 61 | 38 | 18 |
| EAMM-A-R48-60G | 60 | 55 | 60 | 81 | 52.5 | 24.5 |
| EAMM-A-R48-60H | 60 | 55 | 60 | 51 | 52.5 | 24.5 |
| EAMM-A-R48-70A | 70 | – | – | – | 40.2 | – |
| EAMM-A-R48-80P | 81.3 | 55 | 81.3 | 81 | 54 | 26 |
| EAMM-A-R48-87A | 85.8 | 55 | 85.8 | 81 | 44 | 16 |
| EAMM-A-R48-100A | 100.5 | 55 | 100.5 | 81 | 59 | 31 |

Datasheet

| Ordering data – Individual components | | | |
|---|---|--|---|
| Axial kit | Consisting of: | | |
| | Motor flange | Coupling | Coupling housing |
|  |  |  |  |
| Part no. Type | Part no. Type | Part no. Type | Part no. Type |
| 1456622 EAMM-A-R27-40G | 14600097 EAMF-A-38A-40G | 557998 EAMD-19-15-10-8X10 | 1133397 EAMK-A-R27-38A |
| 1133400 EAMM-A-R27-55A | 558176 EAMF-A-38A-55A | 557999 EAMD-19-15-9-8X10 | 1133397 EAMK-A-R27-38A |
| ★ 1133403 EAMM-A-R27-57A | 560692 EAMF-A-38A-57A | 561292 EAMD-16-15-6.35-8X10 | 1133397 EAMK-A-R27-38A |
| 1456619 EAMM-A-R27-67A | 1490100 EAMF-A-38A-67A | 557999 EAMD-19-15-9-8X10 | 1133397 EAMK-A-R27-38A |
| 1456623 EAMM-A-R38-40G | 1460097 EAMF-A-38A-40G | 1453860 EAMD-25-22-10-10X12 | 1133398 EAMK-A-R38-38A |
| ★ 1578138 EAMM-A-R38-57A | 560692 EAMF-A-38A-57A | 561293 EAMD-25-22-6.35-10X12 | 1133398 EAMK-A-R38-38A |
| 2310075 EAMM-A-R38-60G | 558017 EAMF-A-38A-60G/H | 558000 EAMD-25-22-11-10X12 | 1133398 EAMK-A-R38-38A |
| 1456630 EAMM-A-R38-60H | 558017 EAMF-A-38A-60G/H | 1453861 EAMD-28-22-14-10X12 | 1133398 EAMK-A-R38-38A |
| ★ 2224996 EAMM-A-R38-60P | 1987412 EAMF-A-38A-60P | 1453861 EAMD-28-22-14-10X12 | 1133398 EAMK-A-R38-38A |
| 1133401 EAMM-A-R38-70A | 558018 EAMF-A-38A-70A | 558000 EAMD-25-22-11-10X12 | 1133398 EAMK-A-R38-38A |
| ★ 1133404 EAMM-A-R38-87A | 560693 EAMF-A-38A-87A | 558000 EAMD-25-22-11-10X12 | 1133398 EAMK-A-R38-38A |
| 2374780 EAMM-A-R48-60G | 558019 EAMF-A-48A-60G/H | 558001 EAMD-32-32-11-16X20 | 1133399 EAMK-A-R48-48A |
| 1456633 EAMM-A-R48-60H | 558019 EAMF-A-48A-60G/H | 1377840 EAMD-32-32-14-16X20 | 1133399 EAMK-A-R48-48A |
| 1578139 EAMM-A-R48-70A | 558025 EAMF-A-48A-70A | 558001 EAMD-32-32-11-16X20 | 1133399 EAMK-A-R48-48A |
| ★ 2225090 EAMM-A-R48-80P | 2043427 EAMF-A-48A-80P | 558002 EAMD-42-40-19-16X25 | 1133399 EAMK-A-R48-48A |
| ★ 1133405 EAMM-A-R48-87A | 560695 EAMF-A-48A-87A | 558001 EAMD-32-32-11-16X20 | 1133399 EAMK-A-R48-48A |
| ★ 1133402 EAMM-A-R48-100A | 558020 EAMF-A-48A-100A | 558002 EAMD-42-40-19-16X25 | 1133399 EAMK-A-R48-48A |

Festo Core Range



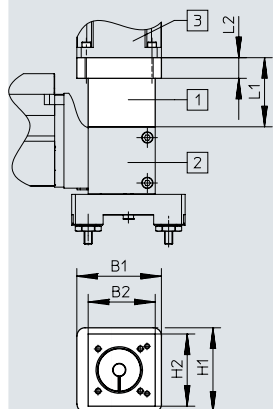
Generally ready for shipping ex works in 24 hours
 Generally ready for shipping ex works in 5 days

Datasheet

Dimensions (sample illustration)

Download CAD data → www.festo.com

EXCM-..., EXCH-...



Main illustration:

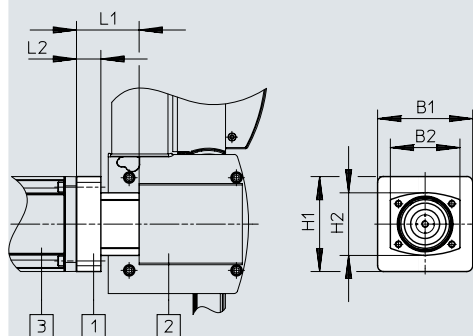
- [1] Axial kit
- [2] Planar surface gantry
- [3] Motor

| Type | Type | B1 | B2 | H1 | H2 | L1 | L2 |
|-----------------|---------|-----|-----|-----|------|------|----|
| EAMM-A-X48-57A | EXCM-40 | 70 | 70 | 70 | 70 | 53.6 | – |
| EAMM-A-X48-80P | EXCH-40 | 82 | 70 | 82 | 65 | 67 | 20 |
| EAMM-A-X62-100A | EXCH-60 | 104 | 100 | 104 | 90.5 | 62 | 22 |
| EAMM-A-X62-150A | EXCH-60 | 151 | 100 | 151 | 90.5 | 71.5 | 29 |

Dimensions (sample illustration)

Download CAD data → www.festo.com

EXCT-...,



Main illustration:

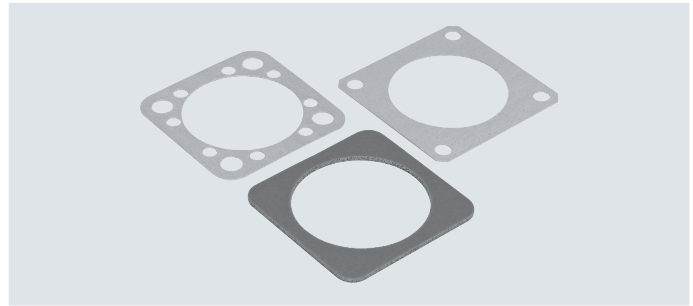
- [1] Axial kit
- [2] Linear gantry
- [3] Motor

| Type | Type | B1 | B2 | H1 | H2 | L1 | L2 |
|-----------------|---------|-----|----|-----|----|------|----|
| EAMM-A-Y62-100A | EXCT-30 | 104 | 92 | 104 | 79 | 62.5 | 24 |

Accessories

Seal set

Contains paint-wetting impairment substances
RoHS-compliant



| Ordering data | | | | | | |
|------------------|----------------------------------|---------------------------|-----------------------------|-------------------|----------|------------------|
| Type | For axial kit | For electric cylinder | Ambient temperature [°C] | CRC ¹⁾ | Part no. | Type |
| EADS-F-D32-40A | EAMM-A-D32-40A | ESBF, EGSL, ERMB, ERMH | -25 ... +60 | 4 | 1561526 | EADS-F-D32-40A |
| EADS-F-D32-40G | EAMM-A-D32-40G | | | | 2253500 | EADS-F-D32-40G |
| EADS-F-D32-40P | EAMM-A-D32-40P | | | | 2207219 | EADS-F-D32-40P |
| EADS-F-D32-60G/H | EAMM-A-D32-60G EAMM-A-D32-60H | | | | 8022150 | EADS-F-D32-60G/H |
| EADS-F-D32-60P | EAMM-A-D32-60P | | | | 2234012 | EADS-F-D32-60P |
| EADS-F-D32-67A | EAMM-A-D32-67A | | | | 2253501 | EADS-F-D32-67A |
| EADS-F-D32-42A | EAMM-A-D32-42A | | | | 1561527 | EADS-F-D32-42A |
| EADS-F-D32-55A | EAMM-A-D32-55A | | | | 1561528 | EADS-F-D32-55A |
| EADS-F-D32-57A | EAMM-A-D32-57A | | | | 1561529 | EADS-F-D32-57A |
| EADS-F-D40-55A | EAMM-A-D40-55A | | | | 1561530 | EADS-F-D40-55A |
| EADS-F-D40-57A | EAMM-A-D40-57A | | | | 1561531 | EADS-F-D40-57A |
| EADS-F-D40-60G/H | EAMM-A-D40-60G EAMM-A-D40-60H | | | | 2253503 | EADS-F-D40-60G/H |
| EADS-F-D40-60P | EAMM-A-D40-60P | | | | 2151545 | EADS-F-D40-60P |
| EADS-F-D40-67A | EAMM-A-D40-67A | | | | 2253504 | EADS-F-D40-67A |
| EADS-F-D40-70A | EAMM-A-D40-70A | | | | 1561532 | EADS-F-D40-70A |
| EADS-F-D40-87A | EAMM-A-D40-87A | | | | 1561533 | EADS-F-D40-87A |
| EADS-F-D50-60G/H | EAMM-A-D50-60G EAMM-A-D50-60H | | | | 2733792 | EADS-F-D50-60G/H |
| EADS-F-D50-70A | EAMM-A-D50-70A | | | | 2733789 | EADS-F-D50-70A |
| EADS-F-D50-80G | EAMM-A-D50-80G | | | | 2733793 | EADS-F-D50-80G |
| EADS-F-D50-80P | EAMM-A-D50-80P | | | | 2733791 | EADS-F-D50-80P |
| EADS-F-D50-87A | EAMM-A-D50-87A | | | | 2733788 | EADS-F-D50-87A |
| EADS-F-D50-100A | EAMM-A-D50-100A | | | | 2733790 | EADS-F-D50-100A |
| EADS-F-D60-70A | EAMM-A-D60-70A | | | | 8022145 | EADS-F-D60-70A |
| EADS-F-D60-80G | EAMM-A-D60-80G | | | | 8022146 | EADS-F-D60-80G |
| EADS-F-D60-60G/H | EAMM-A-D60-60H | | | | 2253505 | EADS-F-D60-60G/H |
| EADS-F-D60-80P | EAMM-A-D60-80P | | | | 2218523 | EADS-F-D60-80P |
| EADS-F-D60-87A | EAMM-A-D60-87A | | | | 1561536 | EADS-F-D60-87A |
| EADS-F-D60-100A | EAMM-A-D60-100A | | | | 2253507 | EADS-F-D60-100A |
| EADS-F-D80-80G | EAMM-A-D80-80G | | | | 8022147 | EADS-F-D80-80G |
| EADS-F-D80-100A | EAMM-A-D80-100A | | | | 1593617 | EADS-F-D80-100A |
| EADS-F-D80-150A | EAMM-A-D80-150A | | | | 8162067 | EADS-F-D80-150A |
| EADS-F-D100-100A | EAMM-A-D100-100A | | | | 3356966 | EADS-F-D100-100A |
| EADS-F-D100-120G | EAMM-A-D100-120G | 8022148 | EADS-F-D100-120G | | | |
| EADS-F-D100-150A | EAMM-A-D100-150A | 8162068 | EADS-F-D100-150A | | | |

1) Corrosion resistance class CRC 4 to Festo standard FN 940070
Particularly high corrosion stress. Outdoor exposure under extreme corrosive conditions. Parts exposed to aggressive media, e.g. in the chemical or food industries. These applications may need to be supported with special tests (→ also FN 940082) using appropriate media.