










## Standards-based cylinders DDPC, integrated displacement encoder

**FESTO**



Product range overview

Function	Type	Description
Drives	<b>Rodless</b>	
	DDLI	<ul style="list-style-type: none"> <li>• Without guide</li> <li>• With displacement encoder for contactless measurement</li> <li>• Based on linear drive DGC-K</li> <li>• Supply ports on end face</li> <li>• System product for handling and assembly technology</li> </ul>
		
	DGCI	<ul style="list-style-type: none"> <li>• With guide</li> <li>• With displacement encoder for contactless measurement</li> <li>• Based on linear drive DGC</li> <li>• Choice of supply ports on end face or front</li> <li>• System product for handling and assembly technology</li> </ul>
		
	<b>With piston rod</b>	
	DNCI	<ul style="list-style-type: none"> <li>• With displacement encoder for contactless measurement</li> <li>• Range of piston rod variants</li> <li>• Standards-based cylinder to ISO 15552</li> </ul> 
		
DDPC	<ul style="list-style-type: none"> <li>• With displacement encoder for contactless measurement</li> <li>• Range of piston rod variants</li> <li>• Standards-based cylinder to ISO 15552</li> </ul> 	
		
DNC/DSBC	<ul style="list-style-type: none"> <li>• With attached potentiometer MLO-LWG</li> <li>• Range of piston rod variants</li> <li>• Standards-based cylinder to ISO 15552</li> </ul> 	
		
Swivel module	<b>Swivel module</b>	<ul style="list-style-type: none"> <li>• Based on swivel module DSM</li> <li>• Integrated rotary potentiometer</li> <li>• Compact design</li> <li>• Wide range of mounting options</li> </ul>
		

## Product range overview

Piston diameter	Stroke/swivel angle [mm/°]	Suitable			for use as a measuring cylinder
		for positioning with	for end-position controller		
		CPX-CMAX	CPX-CMPX	SPC11	
<b>Rodless</b>					
25, 32, 40, 63	100, 160, 225, 300, 360, 450, 500, 600, 750, 850, 1000, 1250, 1500, 1750, 2000	■	■	■	■
18, 25, 32, 40, 63	100, 160, 225, 300, 360, 450, 500, 600, 750, 850, 1000, 1250, 1500, 1750, 2000	■	■	■	■
<b>With piston rod</b>					
32, 40, 50, 63	10 ... 2000	-	-	-	■
	100 ... 750	■	■	■	-
80, 100	10 ... 2000	-	-	-	■
	100 ... 750	■	■	■	-
32, 40, 50, 63, 80	100, 150, 225, 300, 360, 450, 600, 750	■	■	■	■
<b>Swivel module</b>					
25, 40, 63	270	■	■	■	■

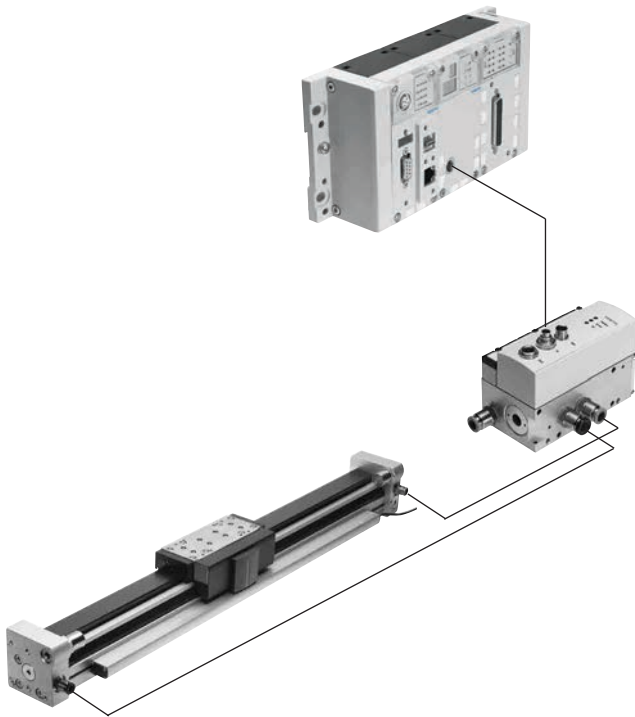
### Key features

#### Servo-pneumatic drive technology

Positioning and Soft Stop applications as an integral component of the valve terminal CPX – the modular peripheral system for decentralised automation tasks. The modular design means that valves, digital inputs and outputs, positioning modules and end-position controllers, as appropriate to the application, can be combined in almost any way on the CPX terminal.

#### Advantages:

- Pneumatics and electrics – control and positioning on one platform
- Innovative positioning technology – piston rod drives, rodless drives, rotary drives
- Control via fieldbus
- Remote maintenance, remote diagnostics, web server, SMS- and e-mail alerts are all possible via TCP/IP
- Modules can be quickly exchanged and expanded without altering the wiring



#### Axis controller CPX-CMAX



#### Free choice:

Position and force control, directly actuated or selected from one of 128 configurable position sets. If you are looking for something more: the configurable record sequencing function enables simple functional sequences to be realised in the axis controller CPX-CMAX.

Everything is recognisable: auto identification detects every station with its device data on the controller CPX-CMAX.

#### Also included:

Actuation of a brake or clamping unit via the proportional directional control valve VPWP is also part of the scope of performance of the controller CPX-CMAX.

Up to 8 modules (max. 8 axes) can be operated in parallel and independently of each other.

Commissioning via FCT (Festo configuration software) or via fieldbus: no programming, only configuration.

#### Advantages:

- Greater flexibility
- OEM friendly – commissioning also via fieldbus
- Easy installation and fast commissioning
- Cost-effective
- You program the system in your PLC environment

## Key features

## End-position controller CPX-CMPX

Data sheets → Internet: [cpx-cmpx](#)

Fast travel between the mechanical end stops of the cylinder, stopping gently and without impact in the end position.

Fast commissioning via control panel, fieldbus or handheld unit.

Improved standstill control.

Actuation of a brake or clamping unit via the proportional directional control valve VPWP is an integral part of the controller CMPX.

Depending on the fieldbus chosen, up to 9 end-position controllers can be actuated on the CPX terminal.

All system data can be read and written via the fieldbus, including, for example, the mid-positions.

Advantages:

- Greater flexibility
- OEM friendly – commissioning also via fieldbus
- Easy installation and fast commissioning
- Cost-effective
  - Up to 30% faster cycle rates
  - Significantly reduced system vibration
- Improved work ergonomics thanks to significantly reduced noise level
- The extended diagnostics help to reduce the service time of the machine

## Proportional directional control valve VPWP

Data sheets → Internet: [vpwp](#)

The 5/3-way proportional directional control valve for applications with Soft Stop and pneumatic positioning.

Fully digitalised – with integrated pressure sensors, with new diagnostic functions.

In sizes 4, 6, 8 and 10.

Flow rates of 350, 700, 1400 and 2000 l/min.

With switching output for controlling a brake.

Colour-coded supply ports.

Pre-assembled cables guarantee faultless and fast connection with the controllers CPX-CMPX and CPX-CMAX.

Advantages:

- Easy installation and fast commissioning
- Reduction of system downtimes thanks to the new diagnostic options
- With switching output for controlling a brake/clamping unit

## Measuring module CPX-CMIX

Data sheets → Internet: [cpx-cmix](#)

Fully digital data acquisition and transmission means that pneumatic cylinders can be used as sensors. With very high repetition accuracy and incorporating both analogue and digital measuring sensors.

Suitable for the linear drive DGCI with displacement encoder for measuring absolute values, for the piston rod drive DNCI/DDPC with incremental displacement encoder or alternatively for a potentiometer of type MLO.

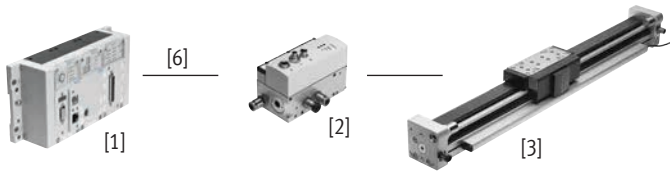
Advantages:

- All process steps can be documented, which improves quality
- An adjustable contact force (via pressure regulator) increases the precision of the "displacement sensor"
- With displacement encoders for measuring absolute values, the actual position is immediately available after the system is switched on

## Drive options

### System with linear drive DDLI, DGCI

Data sheets → Internet: [ddli](#) or [dgc](#)



- [1] Controller module CPX-CMPX or CPX-CMAX
- [2] Proportional directional control valve VPWP
- [3] Linear drive DDLI, DGCI with displacement encoder
- [6] Connecting cable KVI-CP-3...

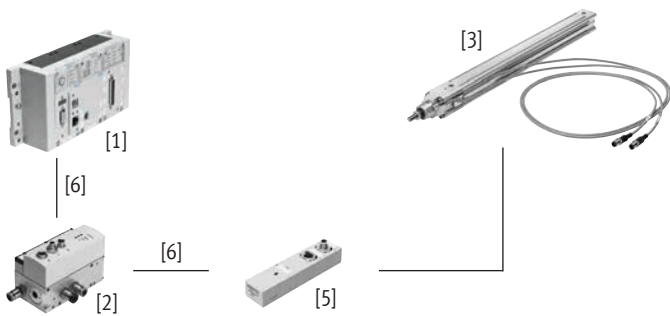
- Pneumatic rodless linear drive with displacement encoder, with or without recirculating ball bearing guide
- Displacement encoder with absolute and contactless measurement
- Diameters:
  - For DGCI: 18 ... 63 mm
  - For DDLI: 25 ... 63 mm
- Stroke: 100 ... 2000 mm in fixed lengths
- Range of applications: Soft Stop and pneumatic positioning
- Loads from 1 ... 180 kg
- No sensor interface required

#### Advantages:

- Complete drive unit
- DDLI for easy connection to the customer's guide system
- Excellent running characteristics
- For fast and accurate positioning up to ±0.2 mm (only with axis controller CPX-CMAX)

### System with standards-based cylinder DNCI, DDPC

Data sheets → Internet: [dnci](#)



- [1] Controller module CPX-CMPX or CPX-CMAX
- [2] Proportional directional control valve VPWP
- [3] Standards-based cylinder DNCI, DDPC with displacement encoder
- [5] Sensor interface CASM-S-D3-R7
- [6] Connecting cable KVI-CP-3...

- Standards-based cylinder with integrated displacement encoder, complies with DIN ISO 6432, VDMA 24 562, NF E 49 003.1 and Uni 10 290
- Displacement encoder with contactless and incremental measurement
- Diameter: 32 ... 100 mm
- Stroke: 100 ... 750 mm
- Range of applications: Soft Stop and pneumatic positioning
- Loads from 3 ... 450 kg and the corresponding sensor interface CASM-S-D3-R7
- Pre-assembled cables guarantee faultless and fast electrical connection

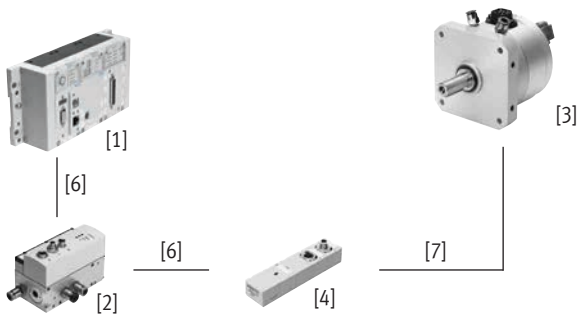
#### Advantages:

- Compact drive unit
- Can be used universally
- Also with guide unit
- For fast and accurate positioning up to ±0.5 mm (only with axis controller CPX-CMAX)

## Drive options

## System with swivel module DSMI

Data sheets → Internet: dsmi



- [1] Controller module CPX-CMPX or CPX-CMAX
- [2] Proportional directional control valve VPWP
- [3] Swivel module DSMI with displacement encoder
- [4] Sensor interface CASM-S-D2-R3
- [6] Connecting cable KVI-CP-3-...
- [7] Connecting cable NEBC-P1W4-K-0.3-N-M12G5

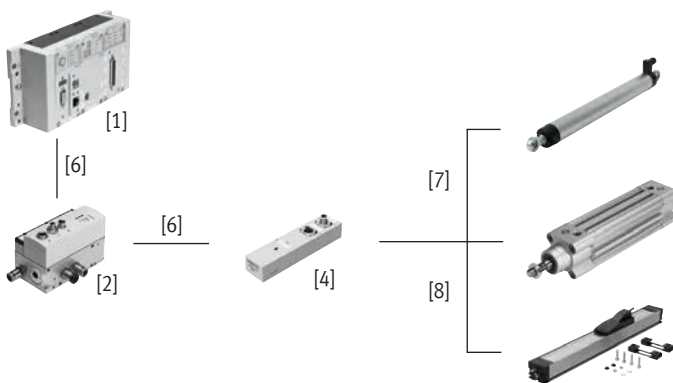
- Swivel module DSMI with integrated displacement encoder
- Identical design to pneumatic swivel module DSM
- Absolute displacement encoder based on a potentiometer
- Swivel range from 0 ... 270°
- Size: 25, 40, 63
- Max. torque: 5 ... 40 Nm
- Range of applications: Soft Stop and pneumatic positioning
- Mass moments of inertia of 15 ... 6000 kgcm<sup>2</sup> and the corresponding sensor interface CASM-S-D2-R3
- Pre-assembled cables guarantee faultless and fast connection with the proportional directional control valve VPWP

## Advantages:

- Complete drive unit, compact, can be used immediately
- High angular acceleration
- With adjustable fixed stops
- For fast and accurate positioning up to ±0.2 mm (only with axis controller CPX-CMAX)

## System with potentiometer

Data sheets → Internet: casm



- [1] Controller module CPX-CMPX or CPX-CMAX
- [2] Proportional directional control valve VPWP
- [4] Sensor interface CASM-S-D2-R3
- [6] Connecting cable KVI-CP-3-...
- [7] Connecting cable NEBC-P1W4-K-0.3-N-M12G5
- [8] Connecting cable NEBC-A1W3-K-0.4-N-M12G5

- Attachable potentiometers with absolute measurement, with high degree of protection
- With connecting rod or moment compensator
- Measuring range:  
Connecting rod: 100 ... 750 mm  
Moment compensator: 225 ... 2000 mm
- Pre-assembled cables guarantee faultless and fast connection with the sensor interface CASM
- Range of applications: Soft Stop and pneumatic positioning with cylinder diameters of 25 ... 80 mm
- Loads from 1 ... 300 kg

## Advantages:

- Easy installation and fast commissioning
- Cost-effective
- Can also be used in harsh ambient conditions
- Variety of drives: CPX-CMPX and CPX-CMAX also support cylinders with external displacement encoder

## Drive options

System components for Soft Stop systems with end-position controller CPX-CMPX						
	Linear drive	Standards-based cylinder	Swivel module	Displacement encoder		→ Page/ Internet
	DDLI/DGCI	DNCI, DDPC	DSMI	MLO-LWG/-TLF	MME-MTS	
End-position controller CPX-CMPX	■	■	■	■	■	cmpx
Proportional directional control valve VPWP	■	■	■	■	■	vpwp
Sensor interface CASM-S-D2-R3	–	–	■	■	–	casm
Sensor interface CASM-S-D3-R7	–	■	–	–	–	casm
Connecting cable KVI-CP-3-...	■	■	■	■	■	kvi
Connecting cable NEBC-P1W4-...	–	–	■	■ / –	–	nebc
Connecting cable NEBC-A1W3-...	–	–	–	– / ■	–	nebc
Connecting cable NEBP-M16W6-...	–	–	–	–	■	vpwp

System components for pneumatic positioning systems with axis controller CPX-CMAX						
	Linear drive	Standards-based cylinder	Swivel module	Displacement encoder		→ Page/ Internet
	DDLI/DGCI	DNCI, DDPC	DSMI	MLO-LWG/-TLF	MME-MTS	
Axis controller CPX-CMAX	■	■	■	■	■	cmax
Proportional directional control valve VPWP	■	■	■	■	■	vpwp
Sensor interface CASM-S-D2-R3	–	–	■	■	–	casm
Sensor interface CASM-S-D3-R7	–	■	–	–	–	casm
Connecting cable KVI-CP-3-...	■	■	■	■	■	kvi
Connecting cable NEBC-P1W4-...	–	–	■	■ / –	–	nebc
Connecting cable NEBC-A1W3-...	–	–	–	– / ■	–	nebc
Connecting cable NEBP-M16W6-...	–	–	–	–	■	vpwp

System components for measuring cylinders with measuring module CPX-CMIX						
	Linear drive	Standards-based cylinder	Swivel module	Displacement encoder		→ Page/ Internet
	DDLI/DGCI	DNCI, DDPC	DSMI	MLO-LWG/-TLF	MME-MTS	
Measuring module CPX-CMIX-M1-1	■	■	■	■	■	cmix
Sensor interface CASM-S-D2-R3	–	–	■	■	–	casm
Sensor interface CASM-S-D3-R7	–	■	–	–	–	casm
Connecting cable KVI-CP-3-...	(■) <sup>1)</sup>	■	■	■	(■)	kvi
Connecting cable NEBC-P1W4-...	–	–	■	■ / –	–	nebc
Connecting cable NEBC-A1W3-...	–	–	–	– / ■	–	nebc
Connecting cable NEBP-M16W6-...	–	–	–	–	■	vpwp

1) As an extension



## Type codes

001	Series	
DDPC	Standards-based cylinder, integrated displacement encoder	

002	Protection against rotation	
D	With guide unit	
Q	With protection against rotation	

003	Piston diameter	
80	80	
100	100	

004	Stroke	
...	10 ... 2000	

005	Clamping unit	
	None	
C	Attached	

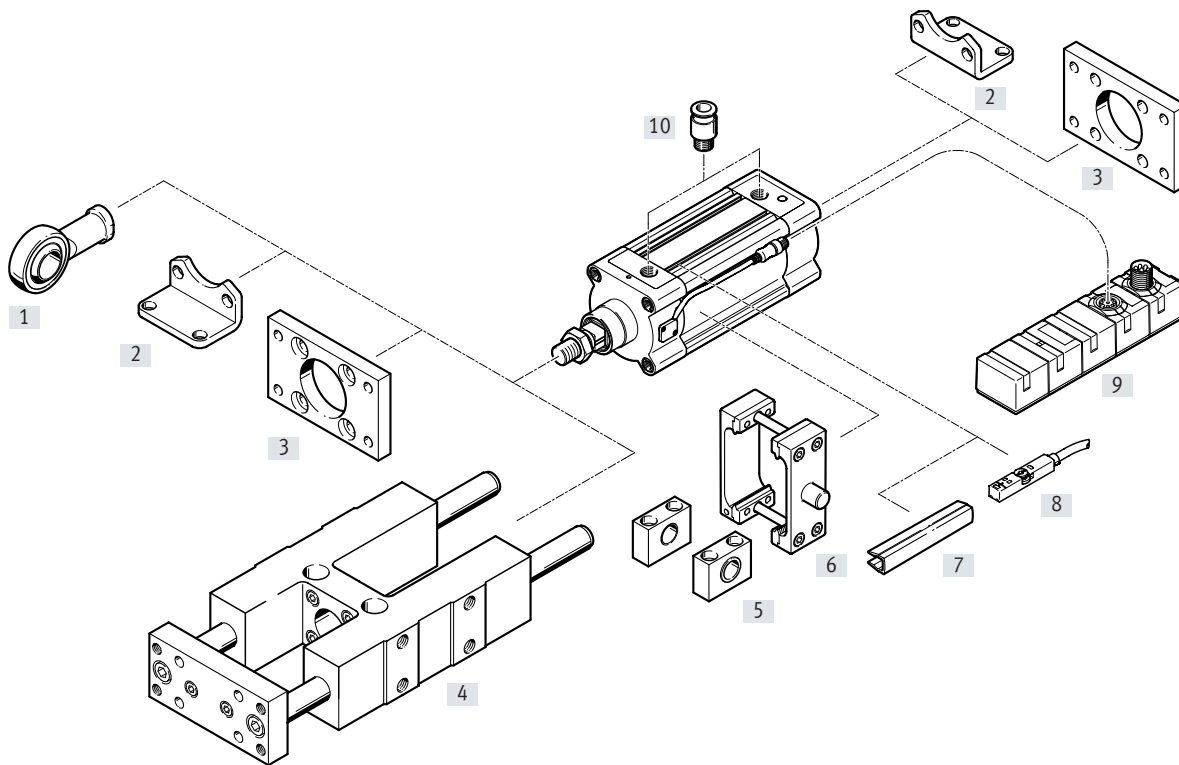
006	Piston rod type	
	At one end	
T	Through piston rod	


007	Cushioning	
P	Elastic cushioning rings/plates on both sides	

008	Position sensing	
A	For proximity sensor	

009	Piston rod extension	
	None	
...E	1 ... 500 mm	

## Peripherals overview



 **Note**

If the drive DDPC is used without an end position controller CPX-CMPX, SPC11 or an axis controller CPX-CMAX, e.g. as a measuring cylinder, then the standard accessories of the drive DNC can be used.

## Peripherals overview

Accessories		
Type	Description	→ Page/Internet
[1] Rod eye SGS	With spherical bearing	22
[2] Foot mounting HNC	For mounting the drive on the bearing and end caps	21
[3] Flange mounting FNC	For mounting the drive on the bearing and end caps	21
[4] Guide unit <sup>1)</sup> FENG-KF	For protecting against rotation at high torque loads	19
[5] Trunnion support LNZG	For securing the trunnion flange kit DAMT	23
[6] Trunnion flange kit DAMT	For swivelling movements of the drive	22
[7] Slot cover ABP-5-S	For protection against contamination	23
[8] Proximity sensor SME/SMT-8	For additional sensing of the piston position, can be ordered optionally, only in conjunction with the order code A in the drive's modular product section	sm
[9] Sensor interface CASM	Used to connect pneumatic drives with analogue/incremental displacement encoder to a position controller CPX-CMAX or CPX-CMPX	casm
[10] Push-in fitting QS	For connecting tubing with standard O.D.	qs

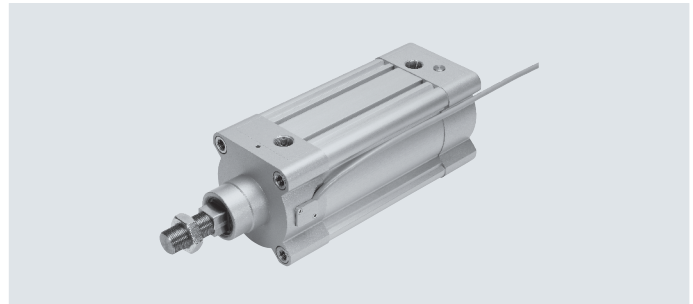
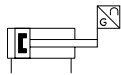
1) Guide unit FENG-KF must be attached to the piston rod in a way that eliminates backlash

**Note**

Allocation table of drives and associated proportional directional control valves

→ page 24

Data sheet



- Diameter  
80 and 100 mm
- Stroke length  
10 ... 2000 mm

General technical data		
Piston diameter	80	100
Based on standard	ISO 15552	
Design	Piston	
	Piston rod	
	Profile barrel	
Mode of operation	Double-acting	
Guide <sup>1)</sup>	Guide rod with yoke, with ball bearing guide	
Protection against rotation	Square piston rod	
Mounting position	Any	
Type of mounting	Via accessories	
Cushioning	Elastic cushioning rings/pads at both ends	
Position sensing	Integrated displacement encoder	
	Via proximity sensor <sup>2)</sup>	
Measuring principle (displacement encoder)	Encoder, contactless and relative measurement	
Pneumatic connection	G3/8	G1/2
Stroke		
DDPC... <sup>3)</sup>	[mm]	10 ... 2000
DDPC...-D	[mm]	100 ... 500
Extended piston rod	[mm]	1 ... 500

- 1) Guide unit FENG-KF can be ordered via the modular product system (feature D) and is supplied attached. The maximum stroke is restricted.
- 2) Not included in the scope of delivery, can be ordered as an option
- 3) Can only be used as a positioning drive without restriction in the range from 100 ... 750 mm.  
Note stroke reduction in combination with CPX-CMAX

Operating and environmental conditions		
Operating pressure	[bar]	4 ... 12
Operating pressure <sup>1)</sup>	[bar]	4 ... 8
Operating medium <sup>2)</sup>	Compressed air to ISO 8573-1:2010 [6:4:4]	
Note on the operating/pilot medium	Operation with lubricated medium not possible Pressure dew point 10°C below ambient/medium temperature	
Ambient temperature <sup>3)</sup>	[°C]	-20 ... +80
Vibration resistance to DIN/IEC 68 Part 2-6	Severity level 2	
Continuous shock resistance to DIN/IEC 68 part 2-82	Severity level 2	
CE marking (see declaration of conformity) <sup>4)</sup>	To EU EMC Directive	
Corrosion resistance CRC <sup>5)</sup>	1	

- 1) Only applies to applications with the end position controller CPX-CMPX, SPC11 and axis controller CPX-CMAX
- 2) The proportional directional control valve VPWP, MPYE used requires these characteristic values
- 3) Note operating range of proximity sensors
- 4) For information about the area of use, see the EC declaration of conformity at: [www.festo.com/sp](http://www.festo.com/sp) → Certificates.  
If the devices are subject to usage restrictions in residential, commercial or light-industrial environments, further measures for the reduction of the emitted interference may be necessary.
- 5) Corrosion resistance class CRC 1 to Festo standard FN 940070  
Low corrosion stress. Dry indoor application or transport and storage protection. Also applies to parts behind coverings, in the non-visible interior area, and parts which are covered in the application (e.g. drive trunnions).

## Data sheet

Forces [N] and impact energy [Nm]		
Piston diameter	80	100
Theoretical force at 6 bar, advancing	3016	4712
Theoretical force at 6 bar, retracting	2721	4418
Impact energy at the end positions	1.8	2.5

Permissible impact velocity: 
$$v = \sqrt{\frac{2 \cdot E}{m_1 + m_2}}$$

V Perm. impact velocity  
E Max. impact energy  
m1 Moving mass (drive)  
m2 Moving payload

Maximum permissible mass: 
$$m_2 = \frac{2 \cdot E}{v^2} - m_1$$

Positioning characteristics with axis controller CPX-CMAX			
Piston diameter	80	100	
Stroke	[mm]	100 ... 750	
Mounting position		Any	
Resolution	[mm]	0.01	
Repetition accuracy	[mm]	≤ ±0.5	
Minimum load, horizontal	[kg]	20	32
Maximum load, horizontal	[kg]	300	450
Minimum load, vertical <sup>1)</sup>	[kg]	20	32
Maximum load, vertical <sup>1)</sup>	[kg]	100	150
Min. travel speed	[m/s]	0.05	
Max. travel speed	[m/s]	1	0.7
Typical positioning time, long stroke <sup>2)</sup>	[s]	0.8 8/1.02	0.9 5/1.10
Typical positioning time, short stroke <sup>3)</sup>	[s]	0.7 7/0.95	0.8 0/1.32
Minimum positioning stroke <sup>4)</sup>	[%]	≤ 3	
Stroke reduction <sup>5)</sup>	[mm]	15	
Recommended proportional directional control valve			
For CPX-CMAX		→ Page 24	

- 1) Only in combination with external guide
- 2) At 6 bar, horizontal mounting position, DDPC-XX-500, 400 mm positioning travel at min./max. load
- 3) At 6 bar, horizontal mounting position, DDPC-XX-500, 200 mm positioning travel at min./max. load
- 4) Based on the cylinder stroke, but not more than 10 mm
- 5) The stroke reduction must be maintained on each side of the drive, the max. stroke for variable positioning is thus: stroke – 2x stroke reduction

Force control characteristics with axis controller CPX-CMAX			
Piston diameter	80	100	
Stroke	[mm]	100 ... 750	
Mounting position		Any	
Maximum controllable force <sup>1)</sup>	[N]	2710/2440	4240/3975
Typical friction forces <sup>2)</sup>	[N]	140	160
Repetition accuracy of pressure control <sup>3)4)</sup>	[%]	< ±2	

- 1) Advancing/retracting at 6 bar
- 2) These values can fluctuate greatly from cylinder to cylinder and are not guaranteed.  
These friction forces must also be taken into consideration when using an external guide or when the cylinder is moving other components subject to friction
- 3) This value defines the repetition accuracy with which the internal differential pressure in the cylinder, which corresponds to the prescribed force setpoint value, is controlled and relates to the maximum controllable force
- 4) The effective force at the workpiece and its accuracy depend largely on the friction in the system as well as the repetition accuracy of the internal control system. Note that friction forces always work against the direction of movement of the piston. The following formula can be used as a rule of thumb to approximate the force F at the workpiece:  
$$F = F_{\text{setpoint}} \pm F_{\text{friction forces}} \pm \text{repetition accuracy of pressure control}$$

## Data sheet

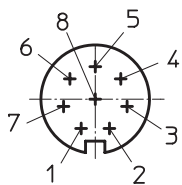
Positioning characteristics with Soft Stop end position controller CPX-CMPX, SPC11			
Piston diameter	80	100	
Stroke	[mm]	100 ... 500	
Mounting position		Any	
Repetition accuracy <sup>1)</sup>	[mm]	±2	
Minimum load, horizontal	[kg]	20	32
Maximum load, horizontal	[kg]	300	450
Minimum load, vertical <sup>2)</sup>	[kg]	20	32
Maximum load, vertical <sup>2)</sup>	[kg]	100	150
Travel time	[s]	→ Soft Stop engineering software: → <a href="http://www.festo.com">www.festo.com</a>	
Recommended proportional directional control valve			
For CPX-CMPX	→ Page 24		
For SPC11	→ Page 24		

- 1) One intermediate position. The accuracy in the end positions depends solely on the mechanical stability of the end stops  
 2) Only in combination with an external guide

Electrical data – Displacement encoder		
Output signal	Analogue	
Linearity error		
Strokes up to 500 mm	[mm]	< ±0.08
Strokes up to 1000 mm	[mm]	< ±0.09
Strokes above 1000 mm	[mm]	< ±0.11
Max. travel speed	[m/s]	1.5
Degree of protection	IP65	
CE marking (see declaration of conformity)	To EU EMC Directive <sup>1)</sup>	
Maximum permitted magnetic interference field <sup>2)</sup>	[kA/m]	10
Electrical connection	Cable with 8-pin plug, round design, M12	
Cable length	[m]	1.5

- 1) For information about the area of use, see the EC declaration of conformity at: [www.festo.com/sp](http://www.festo.com/sp) → Certificates.  
 If the devices are subject to usage restrictions in residential, commercial or light-industrial environments, further measures for the reduction of the emitted interference may be necessary.  
 2) At a distance of 100 mm

### Pin allocation for plug



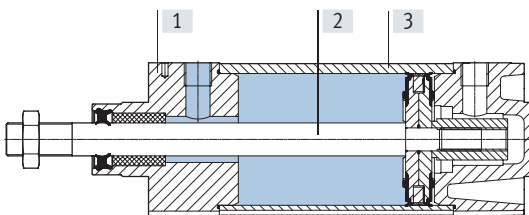
Pin	
1	+ Ub sensor
2	0 V
3	Signal sine +
4	Signal sine -
5	Signal cosine -
6	Signal cosine +
7	Shielding
8	-
Housing	Earth terminal (FE)

## Data sheet

Weight [g]		
Piston diameter	80	100
<b>DDPC...</b>		
Basic weight with 0 mm stroke	3053	4330
Additional weight per 10 mm stroke	87	95
Moving mass with 0 mm stroke	804	994
Additional weight per 10 mm stroke	31	31
<b>DDPC...-T – Through piston rod</b>		
Basic weight with 0 mm stroke	3537	5019
Additional weight per 10 mm stroke	127	134
Moving mass with 0 mm stroke	1247	1467
Additional weight per 10 mm stroke	70	70
<b>DDPC...-...E – Additional weight with piston rod extension</b>		
Additional weight per 10 mm extension	31	31
<b>DDPC...-C – Additional weight with clamping unit</b>		
Additional weight	2046	2829
<b>DDPC...-D – Additional weight with guide unit</b>		
Basic weight with 0 mm stroke	10430	12990
Additional weight per 10 mm stroke	80	80

## Materials

Sectional view



Standards-based cylinder

[1] Cover	Wrought aluminium alloy
[2] Piston rod	High-alloy steel
[3] Cylinder barrel	Wrought aluminium alloy
- Seals	NBR, polyurethane
Note on materials	Free of copper and PTFE
	RoHS-compliant

## Data sheet

### Torques and lateral forces

Max. torque for protection against rotation:

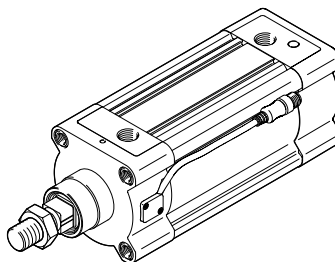
dynamic  $\leq 3 \text{ Nm}$

static  $\leq 5 \text{ Nm}$

An external guide unit FENG-KF is recommended with higher torque loads. The guide unit is supplied attached.

The permissible static and dynamic characteristic load values with and without attached guide

→ Internet: feng



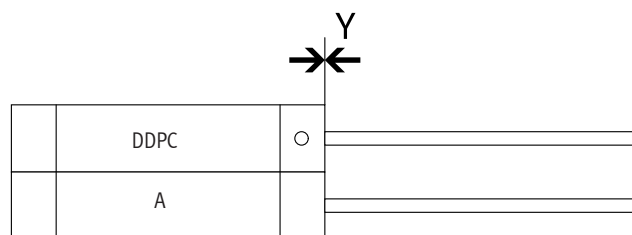
### Mounting conditions

When mounting a drive A with magnet (for position sensing) next to a standard cylinder DDPG, the following conditions must be observed:

- X Minimum distance between the drives
- Y Offset between the drives on the bearing cap

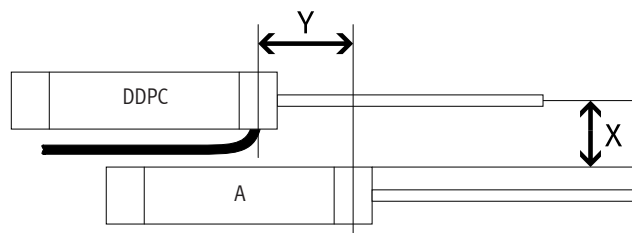
#### Parallel assembly

The drives can be mounted directly next to one another if the offset  $Y = 0 \text{ mm}$ .



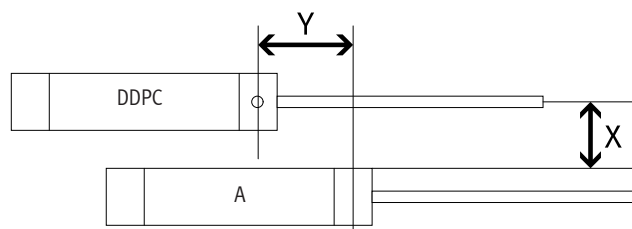
#### Offset mounting, cable outlet between the drives

If the offset  $Y > 0 \text{ mm}$  and the cable outlet is between the drives, a distance of  $X > 70 \text{ mm}$  must be observed.



#### Off-set mounting, cable outlet upwards or downwards

If the offset  $Y > 0 \text{ mm}$  and the cable outlet points up or down, a distance of  $X > 60 \text{ mm}$  must be observed.



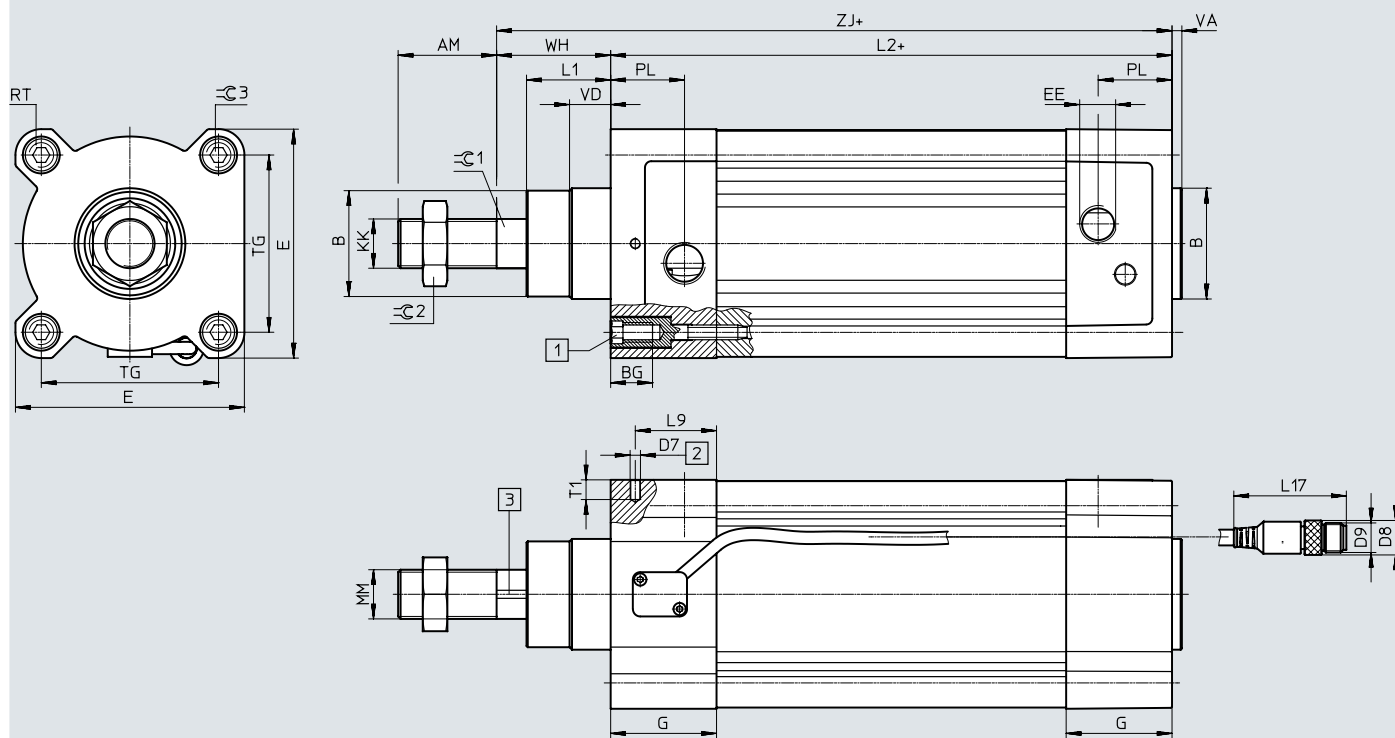


Data sheet

Dimensions

Download CAD data → [www.festo.com](http://www.festo.com)

DDPC...



- [1] Socket head screw with female thread for mounting attachments
- [2] Drilled hole for securing the earthing for self-tapping M4 screw to DIN 7500
- [3] Magnetic measuring band
- + = plus stroke length
- ++ = plus 2x stroke length

∅	AM	B	BG	D7	D8	D9	E	EE	G
[mm]		∅ d11		∅	∅				
80	40	45	17	3.7	14	M12	93	G3/8	43
100	40	55	17	3.7	14	M12	110	G1/2	48

∅	KK	L1	L2	L9	L17	MM	PL	RT	T1
[mm]						∅			
80	M20x1.5	34.2	128	20	45.7	20	30	M10	8
100	M20x1.5	38	138	21.5	45.7	20	31.5	M10	8

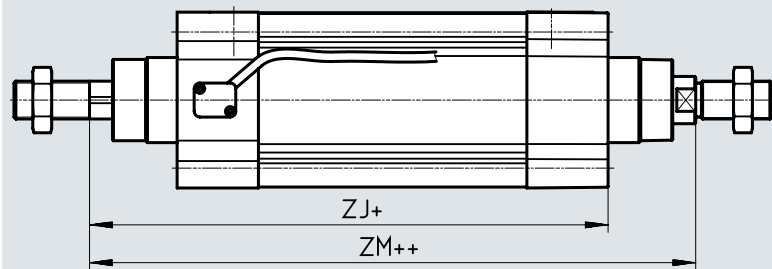
∅	TG	VA	VD	WH	ZJ	∅ 1	∅ 2	∅ 3
[mm]								
80	72	4	16.7	46	174	22	30	6
100	89	4	20.5	51	189	22	30	6

Data sheet

Dimensions

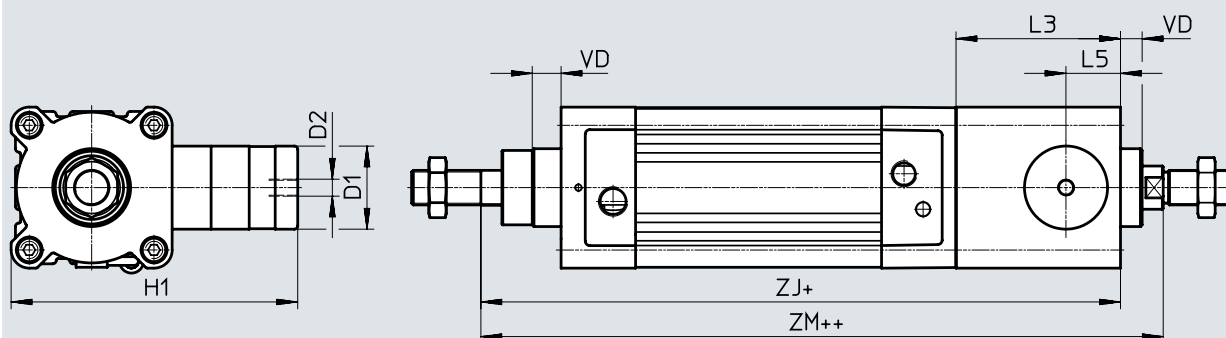
Download CAD data → [www.festo.com](http://www.festo.com)

DDPC-...-T – Through piston rod



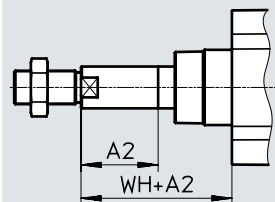
+ = plus stroke length  
++ = plus 2x stroke length

DDPC-...-CT – Through piston rod with clamping unit



+ = plus stroke length  
++ = plus 2x stroke length

DDPC-...-E – Extended piston rod



$\varnothing$	A2	D1	D2	H1	L3	L5
[mm]	max.	$\varnothing$ f9				
80	500	48	G1/8	165.5	95	31.5
100	500	48	G1/8	174	98	31

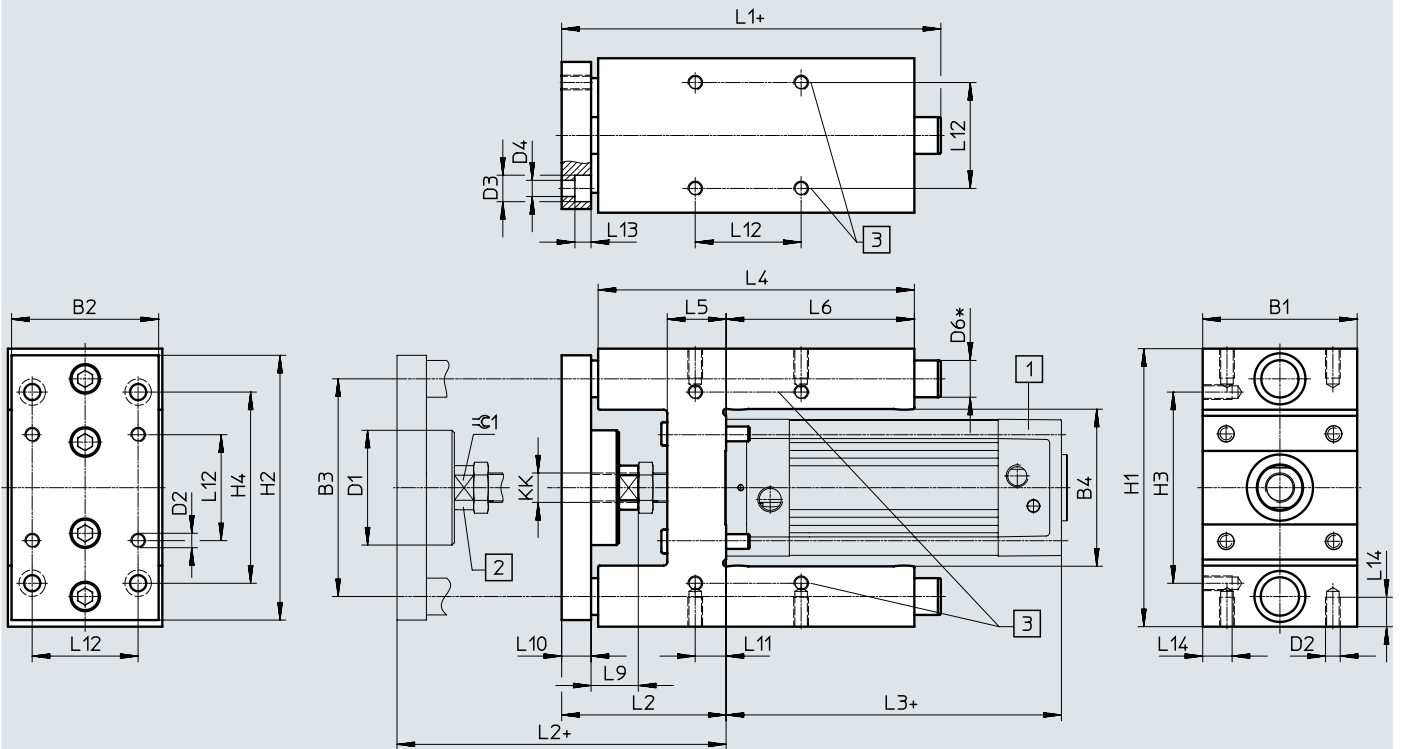
$\varnothing$	VD	WH	ZJ	ZM
[mm]			DDPC-...-T	DDPC-...-T
			DDPC-...-CT	DDPC-...-CT
80	16.7	46	174	222
100	20.5	51	189	240

Data sheet

Dimensions

Download CAD data → [www.festo.com](http://www.festo.com)

DDPC...-D



- [1] Standards-based cylinder DDPC
  - [2] Compensating coupling
  - [3] Customers can drill additional mounting holes here as required
- + = plus stroke length

∅	B1	B2	B3	B4	D1	D2	D3	D4	D6
[mm]	-0.3		±0.2	±0.6	∅		∅	∅	∅
80	105	100	148	106	78	M10	18	11	25
100	130	120	172	131	78	M10	18	11	25

∅	H1	H2	H3	H4	KK	L1	L2	L3	L4
[mm]	-0.5		±0.2	±0.2			+10		
80	189	180	130	130	M20x1.5	258	111	194	215
100	213	200	150	150	M20x1.5	263	116	138	220

∅	L5	L6	L9	L10	L11	L12	L13	L14	⊙ 1
[mm]						±0.2			
80	40	128	32	20	21	72	11	20	27
100	40	128	32	20	24.5	89	11	20	27

## Ordering data – Modular product system

Ordering table					
Piston diameter	80	100	Conditions	Code	Enter code
Module no.	<b>1677705</b>	<b>1691433</b>			
Function	Standards-based cylinder with integrated displacement encoder			<b>DDPC</b>	DDPC
Protection against rotation	With protection against rotation			<b>-Q</b>	
	With guide unit			<b>-D</b>	
Piston diameter [mm]	80	100		<b>-...</b>	
Stroke [mm]	10 ... 2000		[1]	<b>-...</b>	
Clamping unit	None				
	Attached		[2]	<b>-C</b>	
Piston rod	At one end				
	Through piston rod			<b>T</b>	
Cushioning	Elastic cushioning rings/pads at both ends			<b>-P</b>	-P
Stroke [mm]	10 ... 2000		[1]	<b>-...</b>	
Stroke [mm]	10 ... 2000			<b>-...</b>	
Position sensing	Via proximity sensor			<b>A</b>	A
Piston rod extension [mm]	None				
	1 ... 500			<b>-...E</b>	

[1] Stroke Can only be used as a positioning drive without restriction in the range from 100 ... 500 mm.

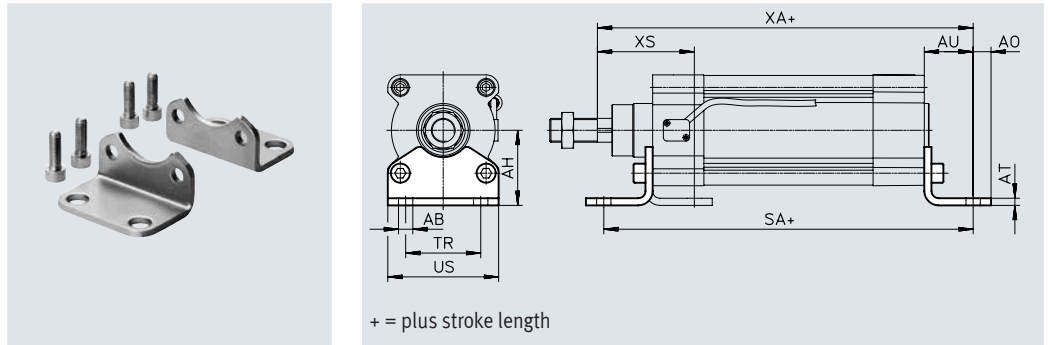
[1] -... Can only be used as a positioning drive without restriction in the range from 100 ... 750 mm

[2] C Only available with T

## Accessories

### Foot mounting HNC

Material:  
Galvanised steel  
Free of copper and PTFE



#### Dimensions and ordering data

For $\varnothing$	AB $\varnothing$	AH	AO	AT	AU	SA
[mm]						DDPC...   DDPC...-C
80	12	63	15	6	41	276   371
100	14.5	71	17.5	6	41	220   318

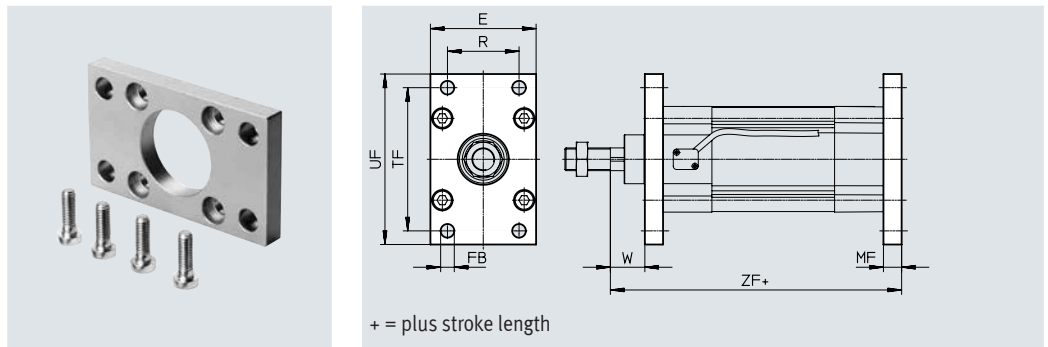
For $\varnothing$	TR	US	XA		XS	CRC <sup>1)</sup>	Weight [g]	Part no.	Type
			DDPC...	DDPC...-C					
80	63	93	281	376	81	2	829	174373	HNC-80
100	75	110	230	328	86	2	1009	174374	HNC-100

1) Corrosion resistance class CRC 2 to Festo standard FN 940070

Moderate corrosion stress. Indoor applications in which condensation can occur. External visible parts with primarily decorative surface requirements which are in direct contact with a normal industrial environment.

### Flange mounting FNC

Material:  
FNC: Galvanised steel  
Free of copper and PTFE  
RoHS-compliant



#### Dimensions and ordering data

For $\varnothing$	E	FB $\varnothing$ H13	MF	R	TF	UF	W	ZF		CRC <sup>1)</sup>	Weight [g]	Part no.	Type
								DDPC...	DDPC...-C				
80	93	12	16	63	126	150	30	256	351	1	1495	174380	FNC-80
100	110	14	16	75	150	175	35	205	303	1	2041	174381	FNC-100

1) Corrosion resistance class CRC 1 to Festo standard FN 940070

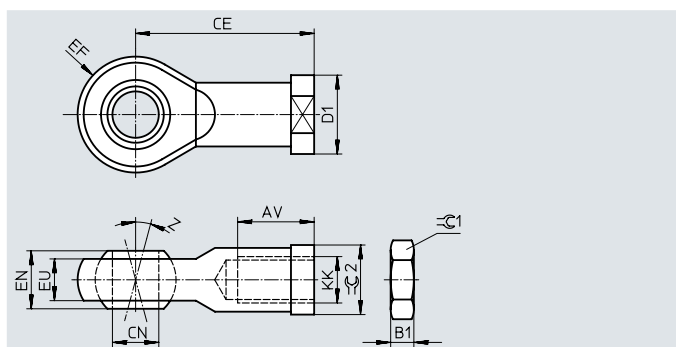
Low corrosion stress. Dry indoor application or transport and storage protection. Also applies to parts behind coverings, in the non-visible interior area, and parts which are covered in the application (e.g. drive trunnions).

## Accessories

### Rod eye SGS

Scope of delivery:  
1 rod eye, 1 hex nut to DIN 439

Material:  
Galvanised steel  
RoHS-compliant



#### Dimensions and ordering data

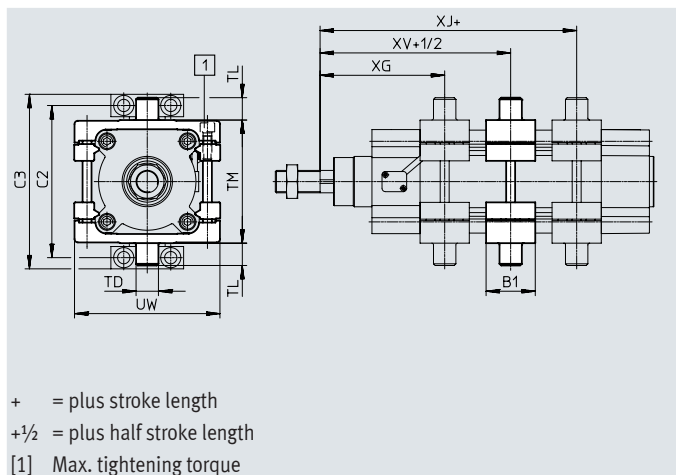
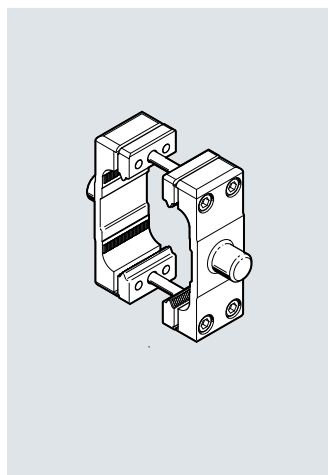
For $\varnothing$	AV	B1	CE	CN $\varnothing$ H7	D1 $\varnothing$	EF $\pm 0.5$	EN	EU	Z [°]	$\approx C1$	$\approx C2$	$CRC^{1) 2)}$	Weight [g]	Part no.	Type
M20x1.5	33-2	10	77	20	34	25	25	18	15	30	30	1	464	9264	SGS-M20x1.5

- Corrosion resistance class CRC 1 to Festo standard FN 940070  
Low corrosion stress. Dry indoor application or transport and storage protection. Also applies to parts behind coverings, in the non-visible interior area, and parts which are covered in the application (e.g. drive trunnions).
- In the area of the ball classified as:  
Corrosion resistance class CRC 0 to Festo standard FN 940070  
No corrosion stress. Applies to small, visually unimportant standard parts such as threaded pins, circlips and clamping sleeves which are usually only available on the market in a phosphated or burnished version (and possibly oiled) as well as to ball bearings (for components <math>< CRC 3</math>) and plain bearings.

### Trunnion flange kit DAMT

The kit can be attached at any position along the profile barrel of the cylinder.

Material:  
Galvanised steel  
Free of copper and PTFE  
RoHS-compliant



#### Dimensions and ordering data

For $\varnothing$	B1	C2	C3	TD $\varnothing$ e9	TL	TM	UW	XG	
								DDPC...	DDPC...-C
80	44	136	156	20	20	110	130	111	206
100	48	164	189	25	25	132	145	123	221

For $\varnothing$	XJ		XV		Max. tightening torque [Nm]	$CRC^{1)}$	Weight [g]	Part no.	Type
	DDPC...	DDPC...-C	DDPC...	DDPC...-C					
80	175	270	143	238	28+2	1	1494	163529	DAMT-V1-80-A
100	117	215	120	218	28+2	1	2095	163530	DAMT-V1-100-A

- Corrosion resistance class CRC 1 to Festo standard FN 940070  
Low corrosion stress. Dry indoor application or transport and storage protection. Also applies to parts behind coverings, in the non-visible interior area, and parts which are covered in the application (e.g. drive trunnions).

## Accessories

## Trunnion support LNZG

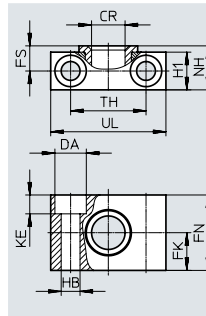
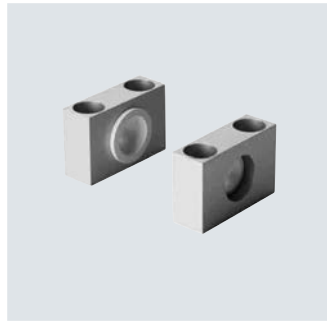
Material:

Trunnion support: Anodised aluminium

Plain bearing: Plastic

Free of copper and PTFE

RoHS-compliant



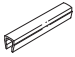
## Dimensions and ordering data

For $\varnothing$	CR	DA	FK	FN	FS	H1	HB	KE	NH	TH	UL	CRC <sup>1)</sup>	Weight	Part no.	Type
[mm]	$\varnothing$	$\varnothing$	$\varnothing$				$\varnothing$			$\pm 0.2$			[g]		
80	20	18	20	40	13	20	11	11	23	42	65	2	178	32961	LNZG-63/80
100	25	20	25	50	16	24.5	14	13	28.5	50	75	2	306	32962	LNZG-100/125

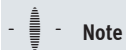
1) Corrosion resistance class 2 to Festo standard 940070

Components subject to moderate corrosion stress. External visible parts with primarily decorative surface requirements which are in direct contact with a normal industrial environment or media such as coolants or lubricating agents.

## Ordering data

	For $\varnothing$	Comment	Part no.	Type	PJ <sup>1)</sup>
<b>Slot cover</b>				Data sheets → Internet: abp	
	80, 100	Each 0.5 m	151680	ABP-5-S	2

1) Packaging unit

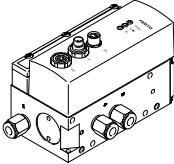


## Note

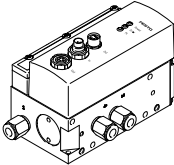
Recommended proximity sensor

→ Internet: dsbc

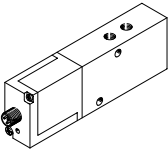
## Accessories

Ordering data – Proportional directional control valves and push-in fittings							
	For $\varnothing$	Stroke	Proportional directional control valve		Push-in fitting for DDPC		PU <sup>1)</sup>
	[mm]	[mm]	Part no.	Type	Part no.	Type	
	<b>For applications with axis controller CPX-CMAX</b>						
	80	100 ... 200	550171	VPWP-6-L-5-Q8-10-E...	186100	QS-G3/8-8	10
		201 ... 450	550172	VPWP-8-L-5-Q10-10-E...	186102	QS-G3/8-10	
		451 ... 750	1552544	VPWP-10-L-5-Q-10-E-G-EX1	186103	QS-G3/8-12	
	100	100 ... 120	550171	VPWP-6-L-5-Q8-10-E...	186104	QS-G1/2-12 <sup>2)</sup>	1
		121 ... 330	550172	VPWP-8-L-5-Q10-10-E...	186104	QS-G1/2-12 <sup>3)</sup>	
331 ... 750		1552544	VPWP-10-L-5-Q-10-E-G-EX1	186104	QS-G1/2-12		

- 1) Packaging unit
- 2) With additional reduction from  $\varnothing$  12 to  $\varnothing$  8, with push-in connector QS-12H-8 (part number 130624)
- 3) With additional reduction from  $\varnothing$  12 to  $\varnothing$  10, with push-in connector QS-12H-10 (part number 153044)

Ordering data – Proportional directional control valves and push-in fittings							
	For $\varnothing$	Stroke	Proportional directional control valve		Push-in fitting for DDPC		PU <sup>1)</sup>
	[mm]	[mm]	Part no.	Type	Part no.	Type	
	<b>For applications with Soft Stop end position controller CPX-CMPX</b>						
	80	100 ... 125	550170	VPWP-4-L-5-Q8-10-E...	186100	QS-G3/8-8	10
		126 ... 160	550171	VPWP-6-L-5-Q8-10-E...	186100	QS-G3/8-8	
		161 ... 400	550172	VPWP-8-L-5-Q10-10-E...	186102	QS-G3/8-10	
		401 ... 500	1552544	VPWP-10-L-5-Q-10-E-G-EX1	186103	QS-G3/8-12	
	100	100 ... 150	550171	VPWP-6-L-5-Q8-10-E...	186104	QS-G1/2-12 <sup>2)</sup>	1
151 ... 350		550172	VPWP-8-L-5-Q10-10-E...	186104	QS-G1/2-12 <sup>3)</sup>		
	351 ... 500	1552544	VPWP-10-L-5-Q-10-E-G-EX1	186104	QS-G1/2-12		

- 1) Packaging unit
- 2) With additional reduction from  $\varnothing$  12 to  $\varnothing$  8, with push-in connector QS-12H-8 (part number 130624)
- 3) With additional reduction from  $\varnothing$  12 to  $\varnothing$  10, with push-in connector QS-12H-10 (part number 153044)

Ordering data – Proportional directional control valves and push-in fittings							
	For $\varnothing$	Stroke	Proportional directional control valve		Push-in fitting for DDPC		PU <sup>1)</sup>
	[mm]	[mm]	Part no.	Type	Part no.	Type	
	<b>For applications with Soft Stop end position controller SPC11</b>						
	80	100 ... 125	151692	MPYE-5-1/8-LF-010-B	186100	QS-G3/8-8	10
		126 ... 160	151693	MPYE-5-1/8-HF-010-B	186100	QS-G3/8-8	
		161 ... 400	151694	MPYE-5-1/4-010-B	186102	QS-G3/8-10	
		401 ... 500	151695	MPYE-5-3/8-010-B	186103	QS-G3/8-12	
	100	100 ... 150	151693	MPYE-5-1/8-HF-010-B	186104	QS-G1/2-12 <sup>2)</sup>	1
151 ... 350		151694	MPYE-5-1/4-010-B	186104	QS-G1/2-12 <sup>3)</sup>		
	351 ... 500	151695	MPYE-5-3/8-010-B	186104	QS-G1/2-12		

- 1) Packaging unit
- 2) With additional reduction from  $\varnothing$  12 to  $\varnothing$  8, with push-in connector QS-12H-8 (part number 130624)
- 3) With additional reduction from  $\varnothing$  12 to  $\varnothing$  10, with push-in connector QS-12H-10 (part number 153044)



# Festo - Your Partner in Automation



**1 Festo Inc.**  
5300 Explorer Drive  
Mississauga, ON L4W 5G4  
Canada

**Festo Customer Interaction Center**  
Tel: 1 877 463 3786  
Fax: 1 877 393 3786  
Email: [customer.service.ca@festo.com](mailto:customer.service.ca@festo.com)



**2 Festo Pneumatic**  
Av. Ceylán 3,  
Col. Tequesquináhuac  
54020 Tlalnepantla,  
Estado de México

**Multinational Contact Center**  
01 800 337 8669  
[ventas.mexico@festo.com](mailto:ventas.mexico@festo.com)



**3 Festo Corporation**  
1377 Motor Parkway  
Suite 310  
Islandia, NY 11749

**Festo Customer Interaction Center**  
1 800 993 3786  
1 800 963 3786  
[customer.service.us@festo.com](mailto:customer.service.us@festo.com)



**4 Regional Service Center**  
7777 Columbia Road  
Mason, OH 45040

Connect with us



[www.festo.com/socialmedia](http://www.festo.com/socialmedia)



[www.festo.com](http://www.festo.com)

Subject to change