

Holding brakes DACS

FESTO



Key features

At a glance

Holding brakes are generally used to dynamically brake a movement or to prevent round rods of different lengths from starting up at any position. Attaching a holding brake to a pneumatic cylinder allows the piston to be braked or clamped. During clamping, the round rod or piston rod is securely

locked so that the application of external force does not produce any relative motion. A rod can be locked at any position along the stroke, whether in the end positions or the intermediate positions. This provides protection in the event of a pressure failure and secures the round rod or piston rod during

intermediate stops for process operations.

- The clamping force is released when compressed air is supplied to the holding brake
- Static holding force up to 17000 N



Note

The holding brakes DACS-...-S are a safety device as defined in the Machinery Directive 2006/42/EC and have been tested and certified to relevant standards. Additional information is available at www.festo.com/sp → Certificates.

The holding brakes DACS-...-S are suitable for use in ATEX zones in "static holding" mode.

Possible safety functions:

- Holding function: retaining a round rod by clamping with frictional locking
- Emergency braking function: stopping the movement of a round rod by clamping with frictional locking

The safety functions are triggered by switching off the compressed air supply or by the failure of the compressed air supply.

Position sensing

[A] Via proximity switch

- For monitoring the switching status

Corrosion protection

[R3] High corrosion protection

- Protects the holding brake against corrosion

Certification

[S] Safety device

- To Machinery Directive 2006/42/EC

Type codes

001	Series
DACS	Holding brake

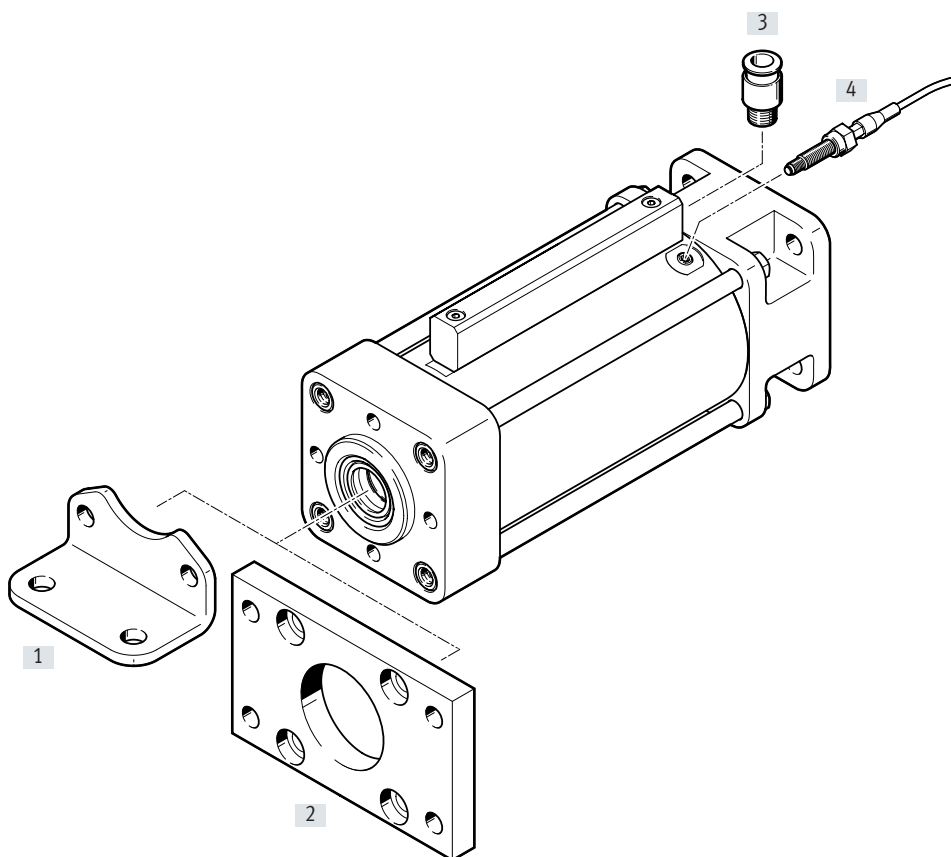
002	Piston rod diameter [mm]
16	16
20	20
25	25
40	40

003	Position sensing
A	For proximity sensor

004	Corrosion protection
	Standard
R3	High corrosion protection

005	Certification
S	Safety component to Machinery Directive 2006/42/EC

Peripherals overview

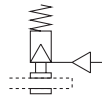




Accessories			
Type/order code	Description		→ Page/Internet
[1] Foot mounting HNG/HNC/CRHNC	For bearing cap		9
[2] Flange mounting FNG/FNC/CRFNG	<ul style="list-style-type: none"> • For bearing cap • Suitable for emergency stop applications/dynamic braking 		10/11
[3] Push-in fitting QS	For connecting tubing with standard outside diameters		qs
[4] Sensor kit DADG	Inductive sensor kit for status sensing of the clamping function		12

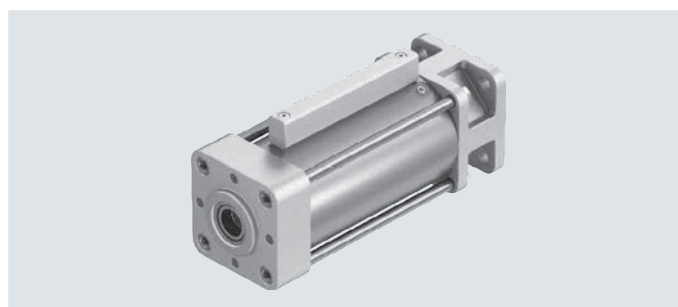
Note
 Only flange mounting FNG/FNC/CRFNG is permissible for emergency stop applications/dynamic braking.
 Additional accessories for this application are available on request.

Data sheet

Function



-  - Diameter of the round rod to be clamped
16 ... 40 mm
-  - Force
1350 ... 17000 N



General technical data				
For round rod diameter	16	20	25	40
Release connection	G1/8		G3/8	
Position sensing	Via proximity switch			
Type of mounting	Via female thread			
	With accessories			
Type of clamping with active direction	At both ends			
	Clamping via spring force, released via compressed air			
Mounting position	Any			

Operating and environmental conditions				
For round rod diameter	16	20	25	40
Operating pressure [bar]	3.8 ... 8			
Min. release pressure [bar]	3.8			
Max. permissible test pressure [bar]	8			
Operating medium	Compressed air to ISO 8573-1:2010 [7:4:4]			
Requirements on the round rod				
Tolerance	h7 ... f7			
Quality	At least HRC 60 or hard chromium-plated (minimum thickness 20 µm)			
	Surface roughness max. 4 µm			
Lead-in chamfer	3 mm wide 15° chamfer on the end of the round rod			
Ambient temperature ¹⁾ [°C]	-20 ... +80		-10 ... +80	
Corrosion resistance class CRC ²⁾				
[] Standard	1			
[R3] High corrosion protection	3			

1) Note operating range of proximity switches.

2) Corrosion resistance class CRC 1 to Festo standard FN 940070

Low corrosion stress. Dry internal application or transport and storage protection. Also applies to parts behind covers, in the non-visible interior area, and parts which are covered in the application (e.g. drive trunnions).

Corrosion resistance class CRC 3 to Festo standard FN 940070

High corrosion stress. Outdoor exposure under moderate corrosive conditions. External visible parts with primarily functional surface requirements which are in direct contact with a normal industrial environment.

Safety data				
For round rod diameter	16	20	25	40
Safety function	Holding and stopping a movement			
Performance Level (PL)	Stopping, holding, blocking a movement/category 1, Performance Level c			
Certification	German Technical Control Board (TÜV)			
Certificate issuing authority	TÜV CA 697			
CE marking (see declaration of conformity) ¹⁾	To EU Machinery Directive			
UKCA marking (see declaration of conformity) ¹⁾	To UK instructions for machines			

1) More information: www.festo.com/catalogue/dacs → Support/Downloads

Data sheet

Weights [g]				
For round rod diameter	16	20	25	40
Product weight [g]	1483	3143	12832	34500

Forces [N]				
For round rod diameter	16	20	25	40
Static holding force	1350	3300	8200	17000

**Note**

The specified holding force refers to a static load. If this value is exceeded, slippage may occur. Dynamic forces occurring during operation must

not exceed the static holding force if slippage is to be avoided. The holding brake is backlash-free in the clamped condition when varying loads are applied to the round rod.

Lateral loads and bending moments on the round rod can impair the function. (Make sure that the load on the round rod is only in the direction of movement.)

Actuation:

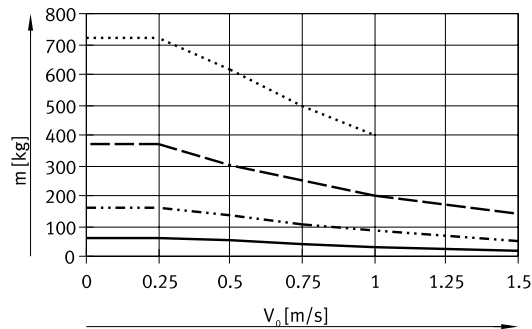
The holding brake may only be released when the forces on the round rod are in equilibrium. Otherwise there is a risk of accidents due to the sudden movement of the round rod. Blocking off the compressed air supply at both ends (e.g. with a 5/3-way valve) does not provide any safety.

Materials

Holding brakes	
Spring	High-alloy steel
Housing	
DACS-...	Steel
DACS-...-R3	High-alloy steel
Clamping jaws	Tool steel
Piston	Steel
Seals	
	NBR
	TPE-U(PU)
PWIS conformity	VDMA24364-B2-L
Note on materials	RoHS-compliant

Data sheet

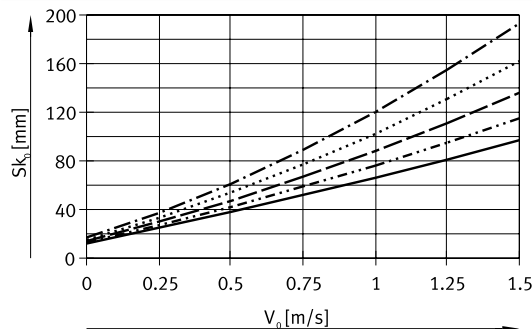
Load mass m as a function of drive speed v_0



- DACS-40
- DACS-25
- · - · - DACS-20
- DACS-16

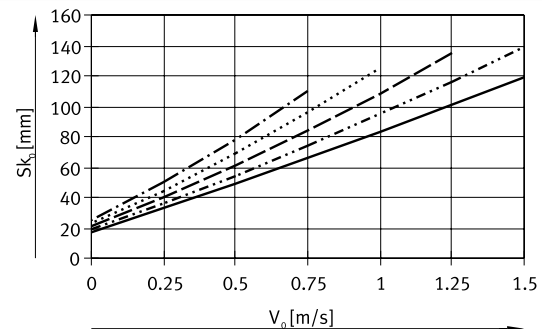
Stopping distance sk_0 as a function of drive speed v_0

∅ 16



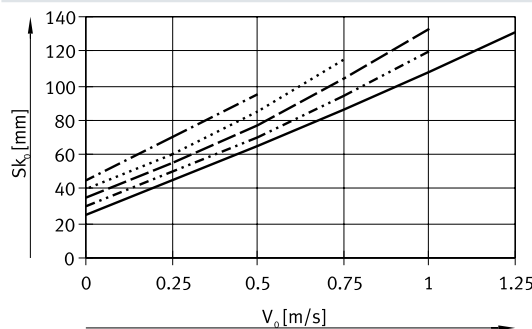
- · - · - 50 kg
- 40 kg
- 30 kg
- · · · - 20 kg
- 10 kg

∅ 20



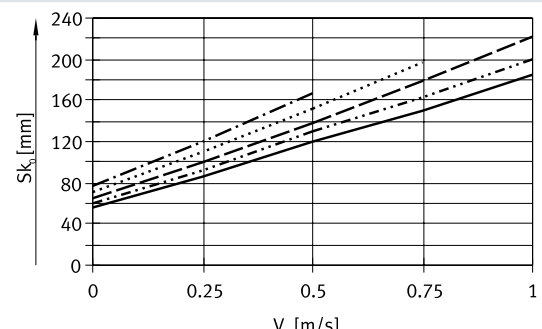
- · - · - 125 kg
- 100 kg
- 75 kg
- · · · - 50 kg
- 25 kg

∅ 25



- · - · - 300 kg
- 250 kg
- 200 kg
- · · · - 150 kg
- 100 kg

∅ 40



- · - · - 700 kg
- 600 kg
- 500 kg
- · · · - 400 kg
- 300 kg

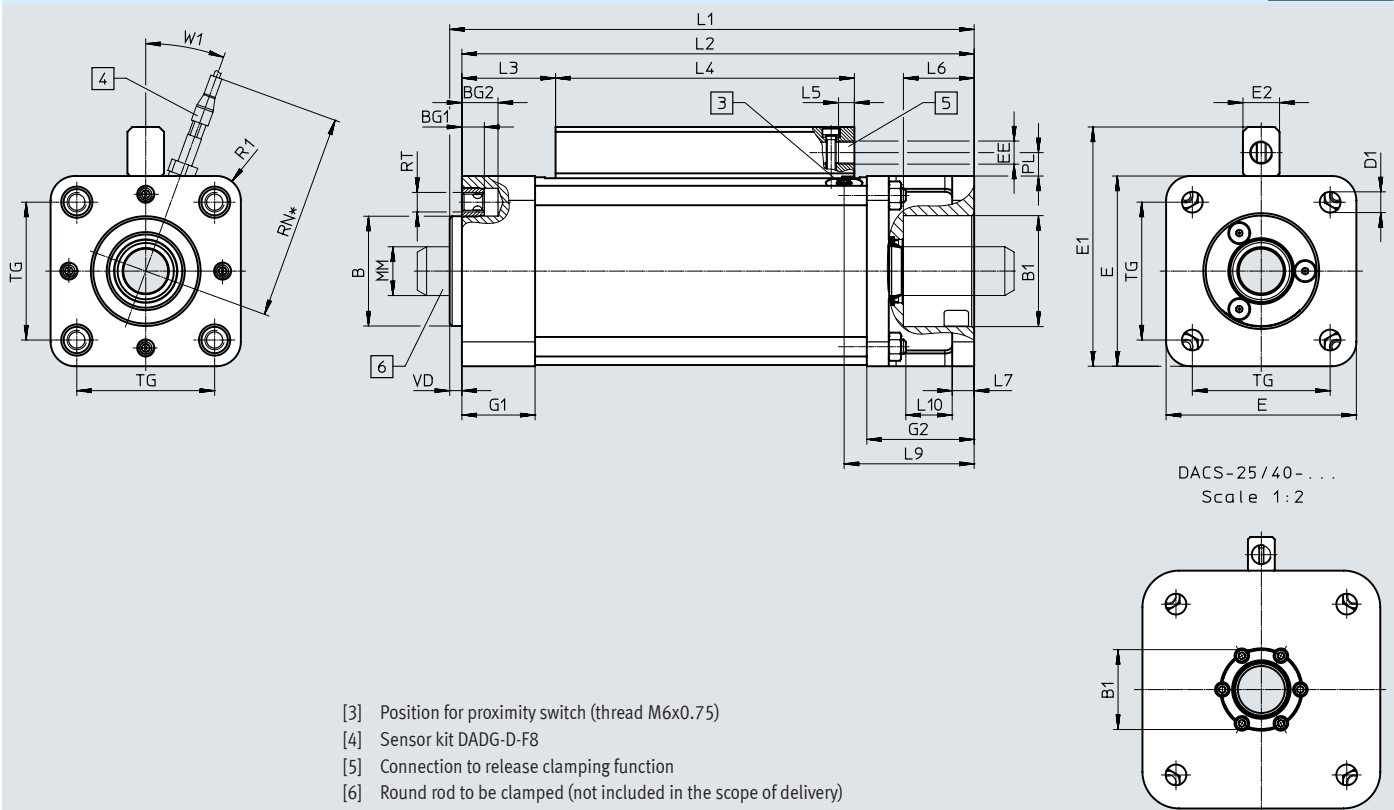
Note

All data in the graphs is intended exclusively for the purposes of preselection when configuring the emergency braking function and must be checked mathematically and in practice prior to commissioning. Additional information is available at www.festo.com/sp → User documentation.

Data sheet

Dimensions and ordering data

Download CAD data → www.festo.com



For round rod diameter [mm]	B ∅ d11	B1 ¹⁾ ∅ ±0.1	BG1	BG2	D1 ∅	E ±0.8	E1 ±1	E2	EE	G1	G2	L1 ±1.2	L2 ±1	L3	L4	L5
16	35	35.5	8	13.2	6.5	54	74.1	15	G1/8	27	40	191	186	29	116	6.5
	35	35.5	8	13.2	6.5	54	74.1	15	G1/8	27	40	191	186	29	116	6.5
20	45	45.5	9	14.8	8.5	78	98.1	15	G1/8	30	44	215	210	38.4	122.5	6.5
	45	45.5	9	14.8	8.5	78	98.1	15	G1/8	30	44	215	210	38.4	122.5	6.5
25	55	55.5	10	14.8	10.5	124	152.1	22	G3/8	35	54	260	255	47.1	148.5	8
	55	55.5	10	14.8	10.5	124	152.1	22	G3/8	35	54	260	255	47.1	148.5	8
40	65	65.5	14	21	17	195	222.6	22	G3/8	48	80	305	298	67.2	143.5	8
	65	65.5	14	21	17	195	222.6	22	G3/8	48	80	305	298	67.2	143.5	8

1) Not suitable as centring diameter

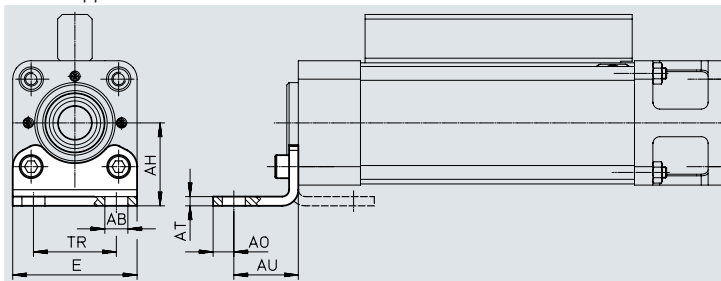
For round rod diameter [mm]	L6 +0.3	L7	L9	L10	MM ²⁾ ∅	PL	R1	RN	RT	TG ±0.2	VD ±0.2	W1	Part no.	Type
16	22	8	49.4	17 ₊₁	16	9.6	R8	98	M6	38	5	27°	8072770	DACS-16-A-S
	22	8	49.4	17 ₋₁	16	9.6	R8	98	M6	38	5	27°	8072774	DACS-16-A-R3-S
20	29	9	53.6	18 ₊₁	20	9.6	R10	100	M 8	56.5	5	20°	8072771	DACS-20-A-S
	29	9	53.6	18 ₋₁	20	9.6	R10	100	M 8	56.5	5	20°	8072775	DACS-20-A-R3-S
25	38.5	12	65.3	20 _{+1.5}	25	13.6	R15	120	M10	89	5	20°	8072772	DACS-25-A-S
	38.5	12	65.3	20 _{-1.5}	25	13.6	R15	120	M10	89	5	20°	8072776	DACS-25-A-R3-S
40	61.5	16	95.5	34 _{+1.5}	40	13.6	R30	155	M16	140	7	20°	8072773	DACS-40-A-S
	61.5	16	95.5	34 _{-1.5}	40	13.6	R30	155	M16	140	7	20°	8072777	DACS-40-A-R3-S

2) Round rod to be clamped: observe specifications (e.g. diameters, tolerances) in data sheet, p. 5

Accessories

Foot mounting
HNG/HNC/CRHNC

Material:
HNG/HNC: galvanised steel
CRHNC: high-alloy steel
Free of copper and PTFE



Note

The foot mounting can also be fitted on the side of the end cap. Separate screws are required for this.

Dimensions and ordering data

For diameter	AB ∅	AH	AO	AT	AU	E	TR
[mm]							
16	10	36	9	4	28	54	36
20	10	50	12.5	5	32	75	50
25	14.5	71	17.5	6	41	110	75
40	18.5	115	20	10	60	169	115

For diameter	Basic type				Corrosion-resistant			
	CRC ¹⁾	Weight [g]	Part no.	Type ²⁾	CRC ¹⁾	Weight [g]	Part no.	Type ²⁾
16	2	193	174370	HNC-40	4	188	176938	CRHNC-40
20	2	436	174372	HNC-63	4	424	176940	CRHNC-63
25	2	1009	174374	HNC-100	4	990	176942	CRHNC-100
40	2	3931	34476	HNG-160				

1) Corrosion resistance class CRC 2 to Festo standard FN 940070

Moderate corrosion stress. Indoor applications in which condensation can occur. External visible parts with primarily decorative surface requirements which are in direct contact with a normal industrial environment.
Corrosion resistance class CRC 4 to Festo standard FN 940070

Particularly high corrosion stress. Outdoor exposure under extreme corrosive conditions. Parts exposed to aggressive media, e.g. in the chemical or food industries. Such applications may need to be safeguarded by means of special testing (→ also FN 940082), using appropriate media.

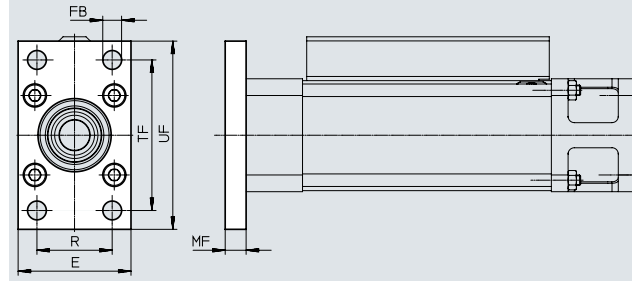
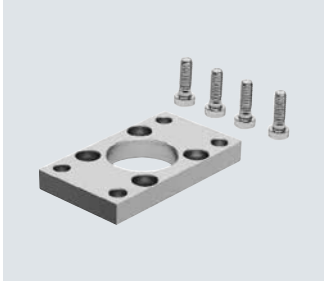
2) Suitable for ATEX areas

Accessories

Flange mounting FNC/CRFNG

Suitable for
emergency stop applications/
dynamic braking

Material:
FNC: galvanised steel
CRFNG: high-alloy steel
Free of copper and PTFE
RoHS-compliant



Dimensions and ordering data

For diameter	E	FB ∅	MF	R	TF	UF
[mm]						
16	54	9	10	36	72	90
20	75	9	12	50	100	120
25	110	14	16	75	150	175

For diameter [mm]	Basic type				Corrosion-resistant			
	CRC ¹⁾	Weight [g]	Part no.	Type ²⁾	CRC ¹⁾	Weight [g]	Part no.	Type ²⁾
16	1	291	174377	FNC-40	4	291	161847	CRFNG-40
20	1	679	174379	FNC-63	4	680	161849	CRFNG-63
25	1	2041	174381	FNC-100	4	2054	161851	CRFNG-100

1) Corrosion resistance class CRC 1 to Festo standard FN 940070

Low corrosion stress. Dry internal application or transport and storage protection. Also applies to parts behind covers, in the non-visible interior area, and parts which are covered in the application (e.g. drive trunnions).

Corrosion resistance class CRC 4 to Festo standard FN 940070

Particularly high corrosion stress. Outdoor exposure under extreme corrosive conditions. Parts exposed to aggressive media, e.g. in the chemical or food industries. Such applications may need to be safeguarded by means of special testing (→ also FN 940082), using appropriate media.

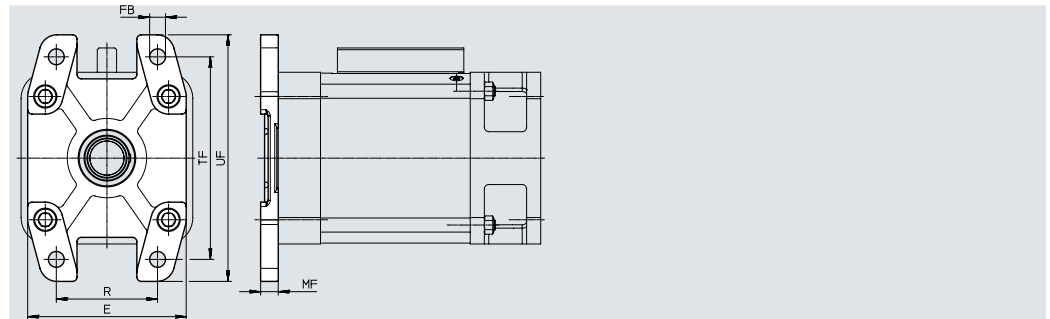
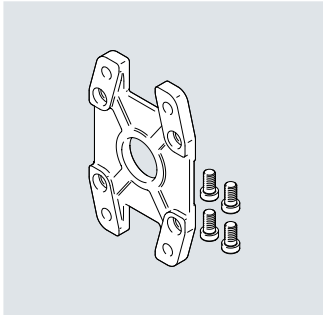
2) Suitable for ATEX areas

Accessories

Flange mounting FNG

Suitable for emergency stop applications/
dynamic braking

Material:
Painted spheroidal graphite cast iron
Free of copper and PTFE
RoHS-compliant



Dimensions and ordering data

For diameter [mm]	E	FB ∅	MF	R	TF	UF	CRC ¹⁾	Weight [g]	Part no.	Type ²⁾
40	180	18	20	115	230	280	1	3550	34478	FNG-160

1) Corrosion resistance class CRC 1 to Festo standard FN 940070

Low corrosion stress. Dry internal application or transport and storage protection. Also applies to parts behind covers, in the non-visible interior area, and parts which are covered in the application (e.g. drive trunnions).

2) Suitable for ATEX areas

Accessories


Proximity switch DADG

General technical data			
For diameter	16; 20	25	40
Size	M4		
Type of mounting	Screwed on		
Type of installation	Flush		
Housing material	Steel		
Cable sheath material	TPE-U(PUR)		
Note on materials	Contains paint-wetting impairment substances RoHS-compliant		
Product weight [g]	26	30	32
Conforms to standard	EN 60947-5-2		
Certification	RCM compliance mark c UL us (OL)		
CE marking (see declaration of conformity)	To EU EMC Directive		
Degree of protection	IP67		

Operating and environmental conditions			
For diameter	16; 20	25	40
Switching output	PNP		
Switching element function	N/O contact		
Electrical connection 1, connection type	Cable		
Electrical connection 1, connection technology	Open end		
Electrical connection 1, number of pins/wires	3		
Cable length [m]	2		
Operating voltage range DC [V]	10 ... 30		
Max. switching frequency	5000 Hz		
Max. switching frequency DC	5000 Hz		
Max. output current [mA]	100		
No-load supply current [mA]	≤ 10		
Voltage drop [V]	2		
Residual ripple [%]	10		
Reverse polarity protection	For all electrical connections		
Short circuit current rating	Pulsed		
Rated operating distance [mm]	0.6		
Assured operating distance [mm]	0.64		
Reduction factors	Aluminium = 0.55 Stainless steel St 18/8 = 0.8 Copper = 0.5 Brass = 0.65 Steel St 37 = 1.0		
Repetition accuracy [mm]	0.01		
Ambient temperature [°C]	-25 ... +70		

Ordering data

Data sheets → Internet: dadg

	For diameter	Part no.	Type
	16; 20	8072857	DADG-D-F8-16/20
	25	8072858	DADG-D-F8-25
	40	8072859	DADG-D-F8-40

Festo - Your Partner in Automation



1 Festo Inc.
5300 Explorer Drive
Mississauga, ON L4W 5G4
Canada

Festo Customer Interaction Center
Tel: 1 877 463 3786
Fax: 1 877 393 3786
Email: customer.service.ca@festo.com



2 Festo Pneumatic
Av. Ceylán 3,
Col. Tequesquináhuac
54020 Tlalnepantla,
Estado de México

Multinational Contact Center
01 800 337 8669
ventas.mexico@festo.com



3 Festo Corporation
1377 Motor Parkway
Suite 310
Islandia, NY 11749

Festo Customer Interaction Center
1 800 993 3786
1 800 963 3786
customer.service.us@festo.com



4 Regional Service Center
7777 Columbia Road
Mason, OH 45040

Connect with us



www.festo.com/socialmedia



www.festo.com

Subject to change