

Push-in fittings CRQS, stainless steel, NPT



Push-in fittings CRQS, stainless steel, NPT

Technical data

General technical data	
Size	Standard
Design	Push-pull principle
Mounting position	Any
Max. tightening torque [ft-lbf]	8.851 at male thread NPTF1/8-27
	11.801 at male thread NPTF1/4-18
	13.276 at male thread NPTF3/8-18
	14.751 at male thread NPTF1/2-14
Usable lines	PFAN

Operating and environmental conditions	
Operating pressure [psi]	-13.8 ... +203.1
complete temperature range	
Operating medium	Compressed air in accordance with ISO 8573-1:2010 [7:--:-]
Ambient temperature [°F]	-4 ... +302
Corrosion resistance class CRC ²⁾	4
Food-safe ¹⁾	See supplementary material information

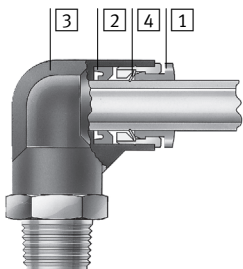
1) Additional information www.festo.com/sp → Certificates.

2) CRC4: Corrosion resistance class to Festo standard 940 070

Components with very heavy corrosion exposure. Components in contact with aggressive media, e.g. in food or chemical industries. These applications must, if necessary, be verified by special tests with the media concerned.

Materials


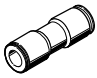
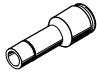
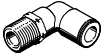

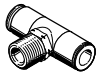

Sectional view



		CRQS, NPT
1	Releasing ring	High-alloy stainless steel
2	Tubing seal	FPM
3	Housing	High-alloy stainless steel
4	Tube retaining claw	High-alloy stainless steel
Note on materials		Contains PWIS (paint wetting impairment substances)
		RoHS-compliant

Push-in fittings CRQS, stainless steel, NPT

Product range overview

Design	Version	Type	Connection D1			Connection D2		→ Page/ Internet
			NPT thread	Tubing O.D.	Push-in sleeve ∅	Tubing O.D.		
Inline	Push-in fitting – Male thread with internal/external hex							
		CRQS	1/8	–	–	–	5/32, 1/4	4
			1/4				1/4, 5/16, 3/8	
			3/8				3/8, 1/2	
			1/2				1/2	
	Push-in connector							
		CRQS...T	–	–	5/32	–	–	4
			1/4					
			5/16					
			3/8					
1/2								
Push-in connector with push-in sleeve								
	CRQS...H	–	–	1/4	–	5/32	5	
		5/16		1/4				
		3/8		1/4, 5/16				
L-shape	Push-in L-fitting, orientable – Male thread with external hex							
		CRQSL	1/8	–	–	–	5/32, 1/4	6
			1/4				1/4, 5/16, 3/8	
			3/8				3/8, 1/2	
			1/2				1/2	
	Push-in L-connector							
		CRQSL...T	–	–	5/32	–	–	6
			1/4					
			5/16					
			3/8					
1/2								
T-shape	Push-in T-fitting, orientable – Male thread with external hex							
		CRQST	1/8	–	–	–	5/32, 1/4	7
			1/4				1/4, 5/16, 3/8	
			3/8				3/8	
	Push-in T-connector							
		CRQST...T	–	–	5/32	–	–	7
			1/4					
			5/16					
			3/8					
			1/2					

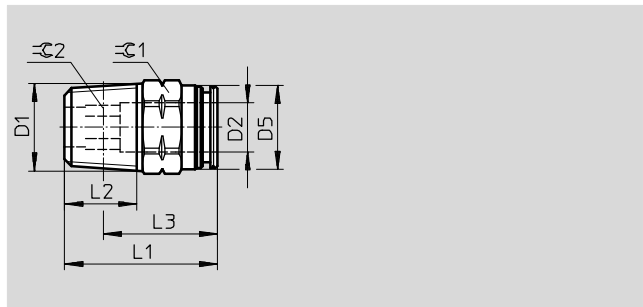
Push-in fittings CRQS, stainless steel, NPT



Technical data

Push-in fitting CRQS

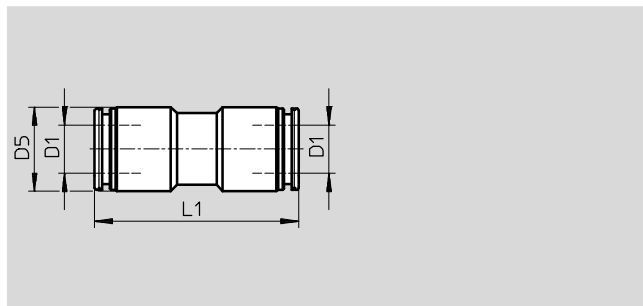
Male thread with external hex



Dimensions and ordering data												
Pneumatic connection		Nominal size	Dimensions [in]						Weight/ piece	Part No.	Type	PU ¹⁾
Male thread	For tubing O.D.		D5 Ø	L1	L2	L3	±C 1	±C 2				
D1	D2 [in]	[in]						[oz]				
NPTF1/8-27	5/32	0.118	0.374	0.768	0.335	0.606	15/32	1/8	0.342	565318	CRQS-1/8-5/32-U	1
	1/4	0.157	0.472	0.866	0.335	0.705	1/2	5/32	0.388	565319	CRQS-1/8-1/4-U	1
NPTF1/4-18	1/4	0.157	0.472	0.965	0.512	0.736	35/64	5/32	0.628	565320	CRQS-1/4-1/4-U	1
	5/16	0.256	0.551	1.004	0.512	0.776	35/64	1/4	0.575	565321	CRQS-1/4-5/16-U	1
	3/8	0.256	0.630	1.260	0.512	1.031	21/32	1/4	0.896	565322	CRQS-1/4-3/8-U	1
NPTF3/8-18	3/8	0.315	0.630	1.004	0.512	0.764	45/64	5/16	0.917	565323	CRQS-3/8-3/8-U	1
	1/2	0.413	0.787	1.161	0.512	0.921	13/16	13/32	1.118	565324	CRQS-3/8-1/2-U	1
NPTF1/2-14	1/2	0.413	0.768	1.201	0.669	0.882	55/64	13/32	1.633	565325	CRQS-1/2-1/2-U	1

1) Packaging unit

Push-in connector CRQS...T



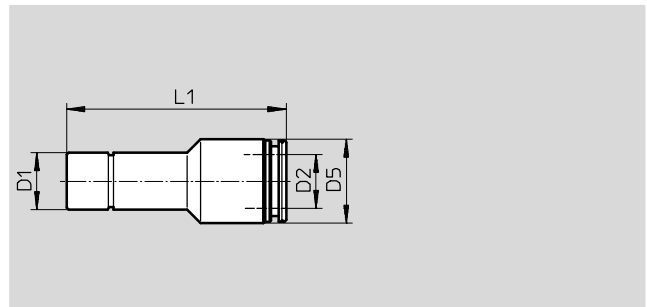
Dimensions and ordering data								
Pneumatic connection		Nominal size	Dimensions [in]		Weight/ piece	Part No.	Type	PU ¹⁾
For tubing O.D.	D1 [in]		D5 Ø	L1				
	[in]	[in]			[oz]			
5/32		0.118	0.374	1.102	0.307	565340	CRQS-5/32T-U	1
1/4		0.217	0.472	1.319	0.515	565341	CRQS-1/4T-U	1
5/16		0.256	0.551	1.339	0.695	565342	CRQS-5/16T-U	1
3/8		0.335	0.630	1.516	0.945	565343	CRQS-3/8T-U	1
1/2		0.433	0.787	1.614	1.552	565344	CRQS-1/2T-U	1

1) Packaging unit

Push-in fittings CRQS, stainless steel, NPT

Technical data

Push-in connector CRQS-...H
with push-in sleeve



Dimensions and ordering data								
Pneumatic connection		Nominal size	Dimensions [in]		Weight/ piece	Part No.	Type	PU ¹⁾
Push-in sleeve O.D.	For tubing O.D.		D5	L1				
D1 [in]	D2 [in]	[in]	∅		[oz]			
1/4	5/32	0.118	0.374	1.240	–	565355	CRQS-1/4H-5/32-U	1
5/16	1/4	0.197	0.472	1.358	0.406	565356	CRQS-5/16H-1/4-U	1
3/8	1/4	0.217	0.472	1.358	0.483	565357	CRQS-3/8H-1/4-U	1
	5/16	0.256	0.551	1.437	0.547	565358	CRQS-3/8H-5/16-U	1

1) Packaging unit

Push-in fittings CRQS, stainless steel, NPT

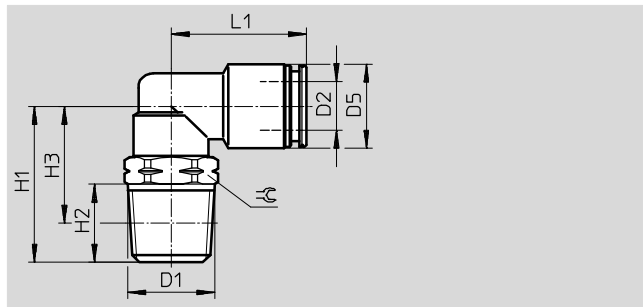


Technical data

Push-in L-fitting CRQSL

Orientable

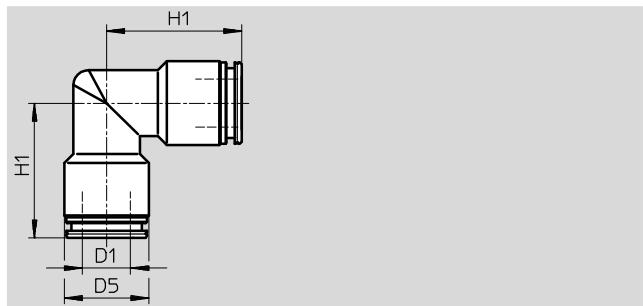
Male thread with external hex



Dimensions and ordering data												
Pneumatic connection		Nominal size	Dimensions [in]						Weight/ piece	Part No.	Type	PU ¹⁾
Male thread	For tubing O.D.		D5 ∅	H1	H2	H3	L1	≈				
D1	D2 [in]	[in]						[oz]				
NPTF1/8-27	5/32	0.118	0.374	0.728	0.335	0.567	0.689	15/32	0.441	565326	CRQSL-1/8-5/32-U	1
	1/4	0.217	0.472	0.827	0.335	0.665	0.846	1/2	0.705	565327	CRQSL-1/8-1/4-U	1
NPTF1/4-18	1/4	0.217	0.472	1.024	0.512	0.795	0.846	35/64	0.97	565328	CRQSL-1/4-1/4-U	1
	5/16	0.236	0.551	1.024	0.512	0.795	0.886	35/64	0.967	565329	CRQSL-1/4-5/16-U	1
	3/8	0.335	0.630	1.142	0.512	0.913	1.024	21/32	1.376	565330	CRQSL-1/4-3/8-U	1
NPTF3/8-18	3/8	0.335	0.630	1.142	0.512	0.902	1.024	45/64	1.517	565331	CRQSL-3/8-3/8-U	1
	1/2	0.413	0.787	1.280	0.512	1.039	1.122	13/16	2.37	565332	CRQSL-3/8-1/2-U	1
NPTF1/2-14	1/2	0.413	0.787	1.457	0.669	1.138	1.122	55/64	2.723	565333	CRQSL-1/2-1/2-U	1

1) Packaging unit

Push-in L-connector CRQSL-...T



Dimensions and ordering data								
Pneumatic connection		Nominal size	Dimensions [in]		Weight/ piece	Part No.	Type	PU ¹⁾
For tubing O.D.	D1 [in]		D5 ∅	H1				
	[in]	[in]			[oz]			
5/32		0.138	0.374	0.689	0.444	565345	CRQSL-5/32T-U	1
1/4		0.217	0.472	0.827	0.515	565346	CRQSL-1/4T-U	1
5/16		0.256	0.551	0.886	0.868	565347	CRQSL-5/16T-U	1
3/8		0.335	0.630	1.004	1.517	565348	CRQSL-3/8T-U	1
1/2		0.433	0.787	1.083	1.781	565349	CRQSL-1/2T-U	1

1) Packaging unit

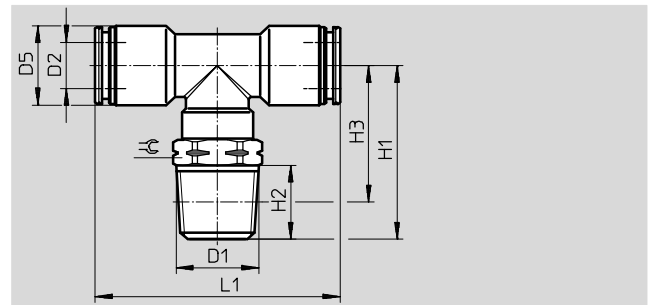
Push-in fittings CRQS, stainless steel, NPT

Technical data

Push-in T-fitting CRQT

Orientable

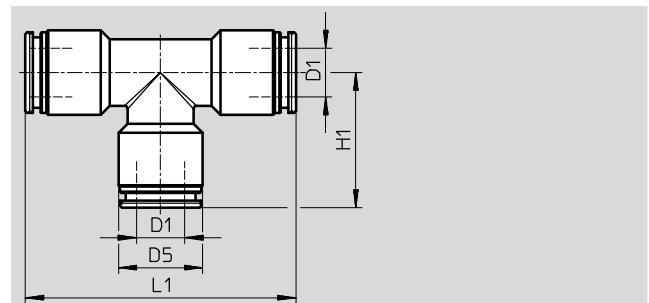
Male thread with external hex



Dimensions and ordering data												
Pneumatic connection		Nominal size	Dimensions [in]						Weight/ piece	Part No.	Type	PU ¹⁾
Male thread	For tubing O.D.		D5	H1	H2	H3	L1	≈				
D1	D2 [in]	[in]	∅						[oz]			
NPTF1/8-27	5/32	0.118	0.374	0.886	0.335	0.724	1.378	15/32	0.656	565334	CRQST-1/8-5/32-U	1
	1/4	0.217	0.472	1.004	0.335	0.843	1.654	1/2	0.97	565335	CRQST-1/8-1/4-U	1
NPTF1/4-18	1/4	0.217	0.472	1.201	0.512	0.972	1.654	35/64	1.185	565336	CRQST-1/4-1/4-U	1
	5/16	0.236	0.551	1.201	0.512	0.972	1.693	35/64	1.305	565337	CRQST-1/4-5/16-U	1
	3/8	0.335	0.630	1.260	0.512	1.031	2.008	21/32	2.258	565338	CRQST-1/4-3/8-U	1
NPTF3/8-18	3/8	0.335	0.630	1.260	0.512	1.020	2.008	45/64	2.346	565339	CRQST-3/8-3/8-U	1

1) Packaging unit

Push-in T-connector CRQST...T



Dimensions and ordering data									
Pneumatic connection		Nominal size	Dimensions [in]			Weight/ piece	Part No.	Type	PU ¹⁾
For tubing O.D.	D1 [in]		D5	H1	L1				
	[in]	[in]	∅			[oz]			
	5/32	0.138	0.374	0.689	1.378	0.564	565350	CRQST-5/32T-U	1
	1/4	0.217	0.472	0.827	1.654	0.988	565351	CRQST-1/4T-U	1
	5/16	0.256	0.551	0.846	1.693	1.157	565352	CRQST-5/16T-U	1
	3/8	0.335	0.630	0.984	1.969	2.046	565353	CRQST-3/8T-U	1
	1/2	0.433	0.787	1.083	2.165	2.469	565354	CRQST-1/2T-U	1

1) Packaging unit

Festo - Your Partner in Automation



1 Festo Inc.
5300 Explorer Drive
Mississauga, ON L4W 5G4
Canada

Festo Customer Interaction Center
Tel: 1 877 463 3786
Fax: 1 877 393 3786
Email: customer.service.ca@festo.com



2 Festo Pneumatic
Av. Ceylán 3,
Col. Tequesquináhuac
54020 Tlalneantla,
Estado de México

Multinational Contact Center
01 800 337 8669
ventas.mexico@festo.com



3 Festo Corporation
1377 Motor Parkway
Suite 310
Islandia, NY 11749

Festo Customer Interaction Center
1 800 993 3786
1 800 963 3786
customer.service.us@festo.com



4 Regional Service Center
7777 Columbia Road
Mason, OH 45040

Connect with us



www.festo.com/socialmedia



www.festo.com

Subject to change