

Individual component for terminal CPX

**FESTO**



## Datasheet

### General technical data

Electrical connection	2x socket, 5-pin, B-coded, M12
-----------------------	--------------------------------

### Materials

Material housing	PA, PC
LABS (PWIS) conformity	VDMA24364-B2-L

### Operating and environmental conditions

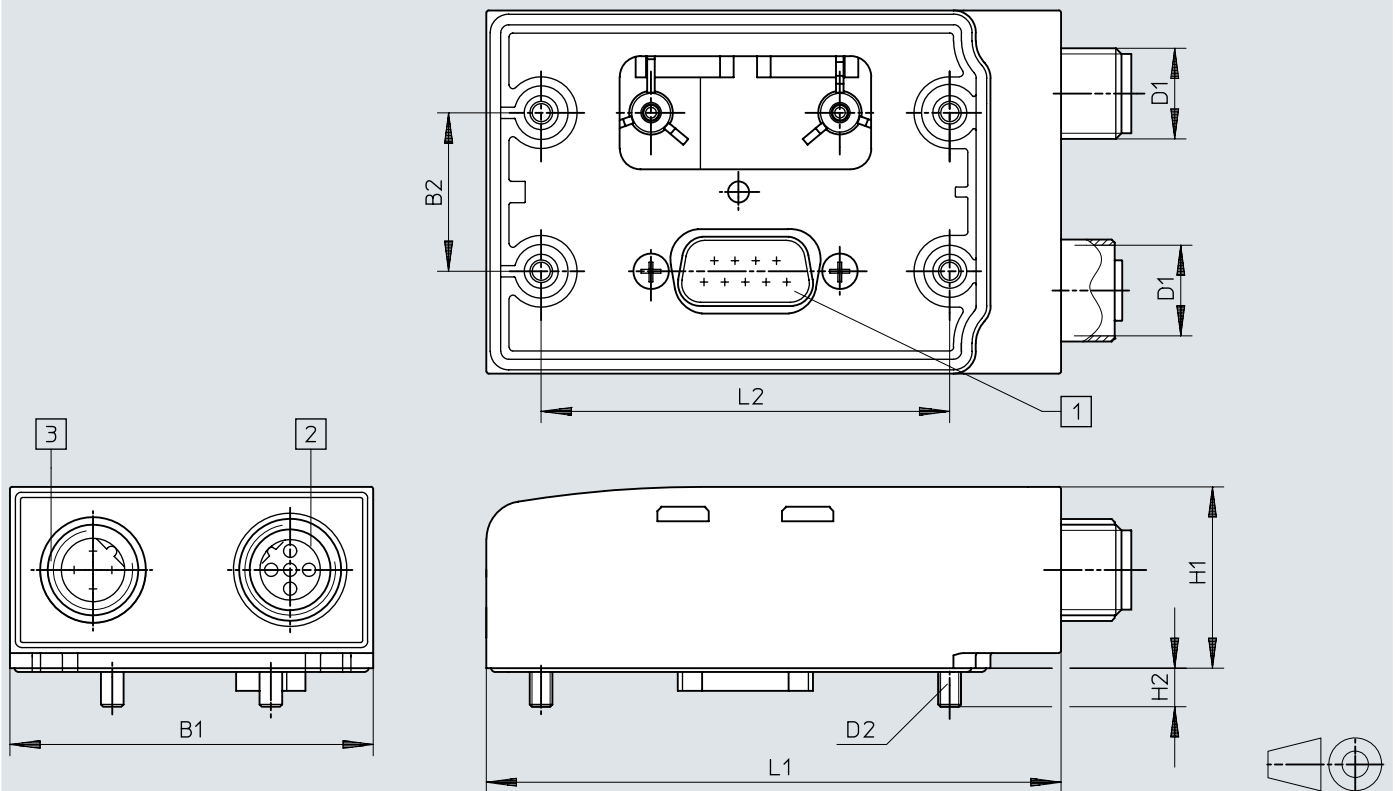
Corrosion resistance class CRC <sup>1)</sup>	1 - Low corrosion stress
Degree of protection	IP65, IP67

1) More information: [www.festo.com/x/topic/crc](http://www.festo.com/x/topic/crc)

## Dimensions

### Dimensions – Connection block CPX-AB-2-M12

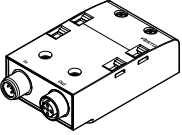
Download CAD data → [www.festo.com](http://www.festo.com)



- [1] Sub-D 9-pin socket (not available with CPX-AB-2-M12-RK-DP)
- [2] Sub-D plug connector, 9-pin
- [3] M12 socket, 5-pin
- [4] M12 plug, 5-pin

	B1	B2	D1	D2	H1	H2	L1	L2
CPX-AB-2-M12-RK	48,1	21	M12	M3x25	24	5,1	76,1	54,1

## Ordering data

Ordering data – Manifold block				
	Electrical connection	Product weight	Part no.	Type
	2x socket, 5-pin, B-coded, M12	71 g	541519	CPX-AB-2-M12-RK-DP

## Accessories

<b>Accessories</b>					
Short type code	Electrical connection 1	Size	Product weight	Part no.	Type
IBS		10x6 mm		<b>18576</b>	<b>IBS-6X10</b>
NECU	Straight socket, M12x1, 5-pin, B-coded, screenable		48.7 g	<b>1067905</b>	<b>NECU-M-B12G5-C2-PB</b>
	Straight plug connector, M12x1, 5-pin, B-coded, screenable		46.1 g	<b>1066354</b>	<b>NECU-M-S-B12G5-C2-PB</b>