

# Operator unit CDSA

**FESTO**



## Characteristics

### At a glance

- For mobile commissioning and optimisation
- Integrated reporting system and user administration in combination with the robotics library from Festo
- Interface unit for installation in a control cabinet and various cable lengths available

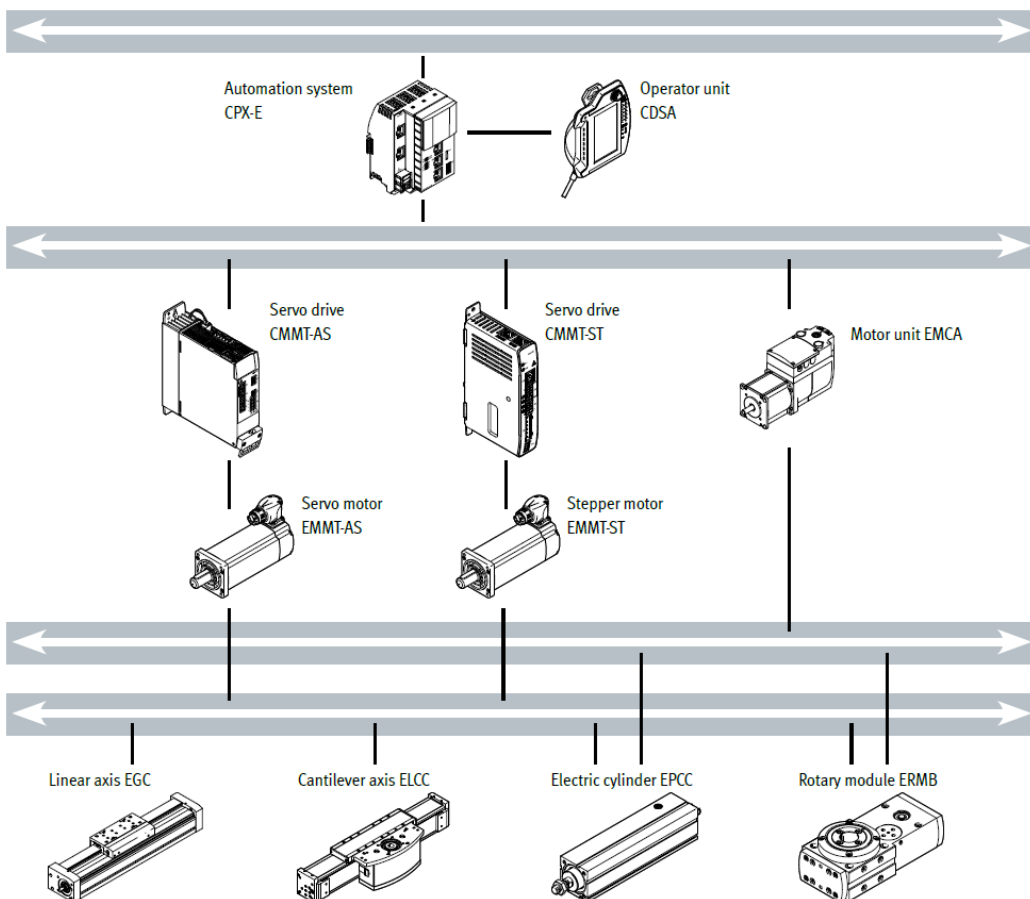
### Convenient – simple programming with teach-in

- When creating a motion program, the motion sequence is very often known, but the exact position that needs to be approached, e.g. gripper or set-down position, is not. This can only be determined directly during commissioning by using a precise approach.
- That is why the automation system CPX-E together with the operator unit CDSA offers dialogue-based software that enables the required positions to be taught in quickly and easily.

### Flexibility – mobile operation and monitoring with CDSA

- The CDSA operator unit has an emergency stop switch and a 3-stage enabling button. Both devices have a 2-channel design and are designed to be integrated in the customer's safety circuits. The enabling button is used to enable the drive power in set-up mode.
- In addition to the hardware and the ergonomic handle, the CDSA has a colour touchscreen as well as a keyboard which can be used to start actions.

### Overview



## Type code

001	Series
CDSA	Operator unit CDSA

002	Device version
D3	Operator unit C70

003	Operating mode
RV	CODESYS remote target visualisation

## Datasheet

## General technical data

Operator controls	Touch sensitive keyboard, Enable control unit, Emergency stop button
Display	LCD display, With backlighting
Display size	7"
Display characteristics	Touchscreen
Display resolution	WSVGA, 600x1024 pixels
Number of function keys	20
Number of system LEDs	5
Product weight	950 g

## Electrical data

Operational voltage range DC	19.2 ... 30 V
Nominal operating voltage DC	24 V
Power failure bridging	10 ms
Input current	<= 5.6 A
Electrical power consumption	12 W
Note on permissible current load at 40°C	10 – 1000 mA at each contact for emergency stop, < 500 mA for enable control unit
IP address allocation	FCT, DHCP

## Interfaces

USB interface, function	File transfer, Software update
USB interface, type of connection	Socket
USB interface, connection technology	USB 2.0 type A
USB interface, number of pins/wires	4
Ethernet interface, function	Diagnostics, Network connection to PLC, Parameterisation
Ethernet interface, connection type	Socket
Ethernet interface, connection system	RJ45
Ethernet interface, number of pins/wires	8
Ethernet interface, transmission rate	100 Mbit/s
Ethernet interface, protocol	TCP/IP

## Datasheet

Operating and environmental conditions	
Ambient temperature	0 ... 40°C
Storage temperature	-20 ... 70°C
Relative air humidity	5 - 95%
Degree of protection	IP65
Note on degree of protection	When USB cover flap is closed, In assembled state
Protection class	III
Nominal altitude of use	<= 2000 m NHN
CE mark (see declaration of conformity)	To EU EMC Directive To EC Machinery Directive In accordance with EU RoHS Directive
CE marking (see declaration of conformity)	To UK instructions for EMC To UK regulations for machines To UK RoHS instructions
Approval	CCC, RCM trademark, c UL us listed (OL)
KC mark	KC-EMV
KC Approval No. EMC/Radio	R-R-FTO-KC-2020-1041
Certificate issuing authority	UL E239998
Utilisation category	DC-13, emergency stop
Service life characteristic value B10D, subcomponent	0,25 Mio SP, emergency stop, 1 million switching cycles, enable control unit
Note on permissible current load at 40°C	10 – 1000 mA at each contact for emergency stop, < 500 mA for enable control unit
Corrosion resistance class CRC <sup>1)</sup>	0 - No corrosion stress

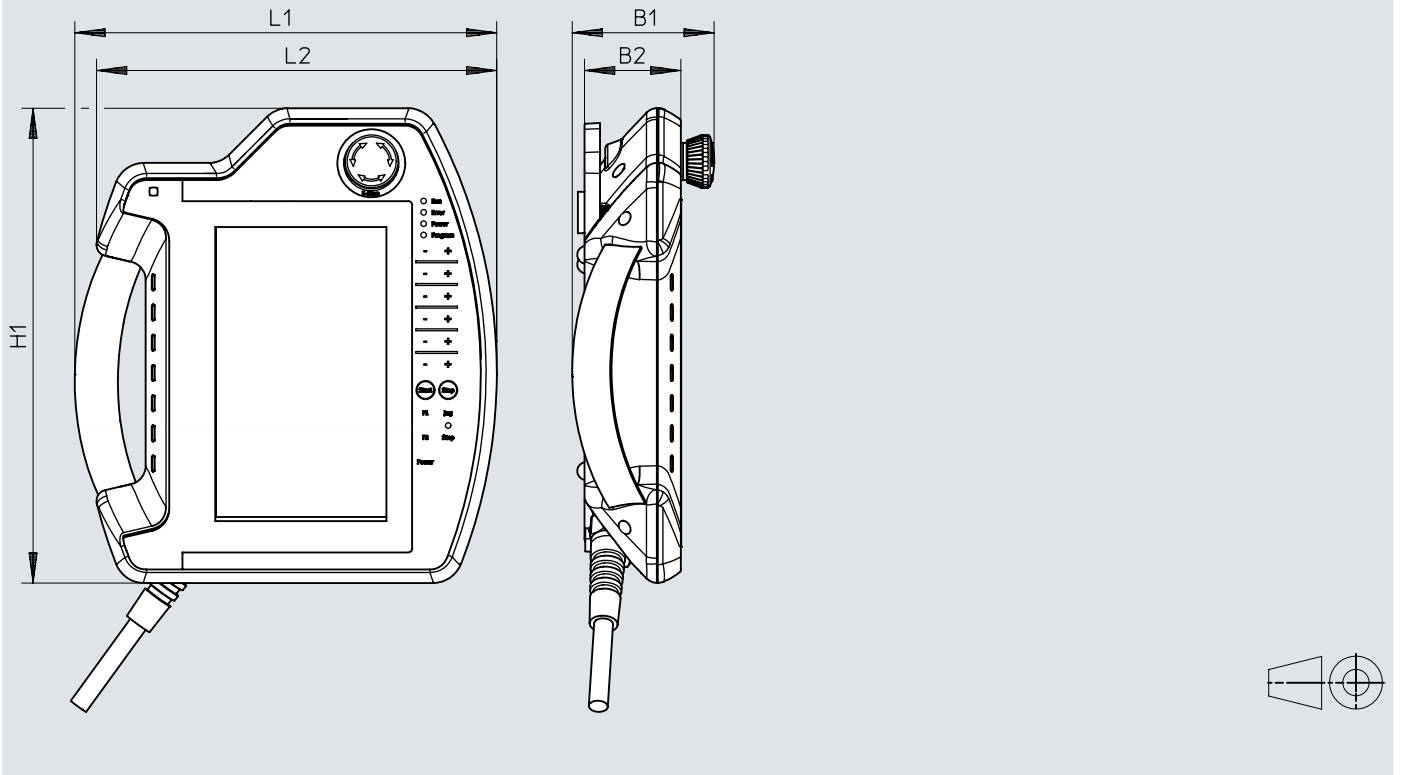
1) More information: [www.festo.com/x/topic/crc](http://www.festo.com/x/topic/crc)

Materials	
Material housing	ABS
Note on materials	RoHS-compliant
LABS (PWIS) conformity	VDMA24364 zone III

## Dimensions

Dimensions – Operator units CDSA

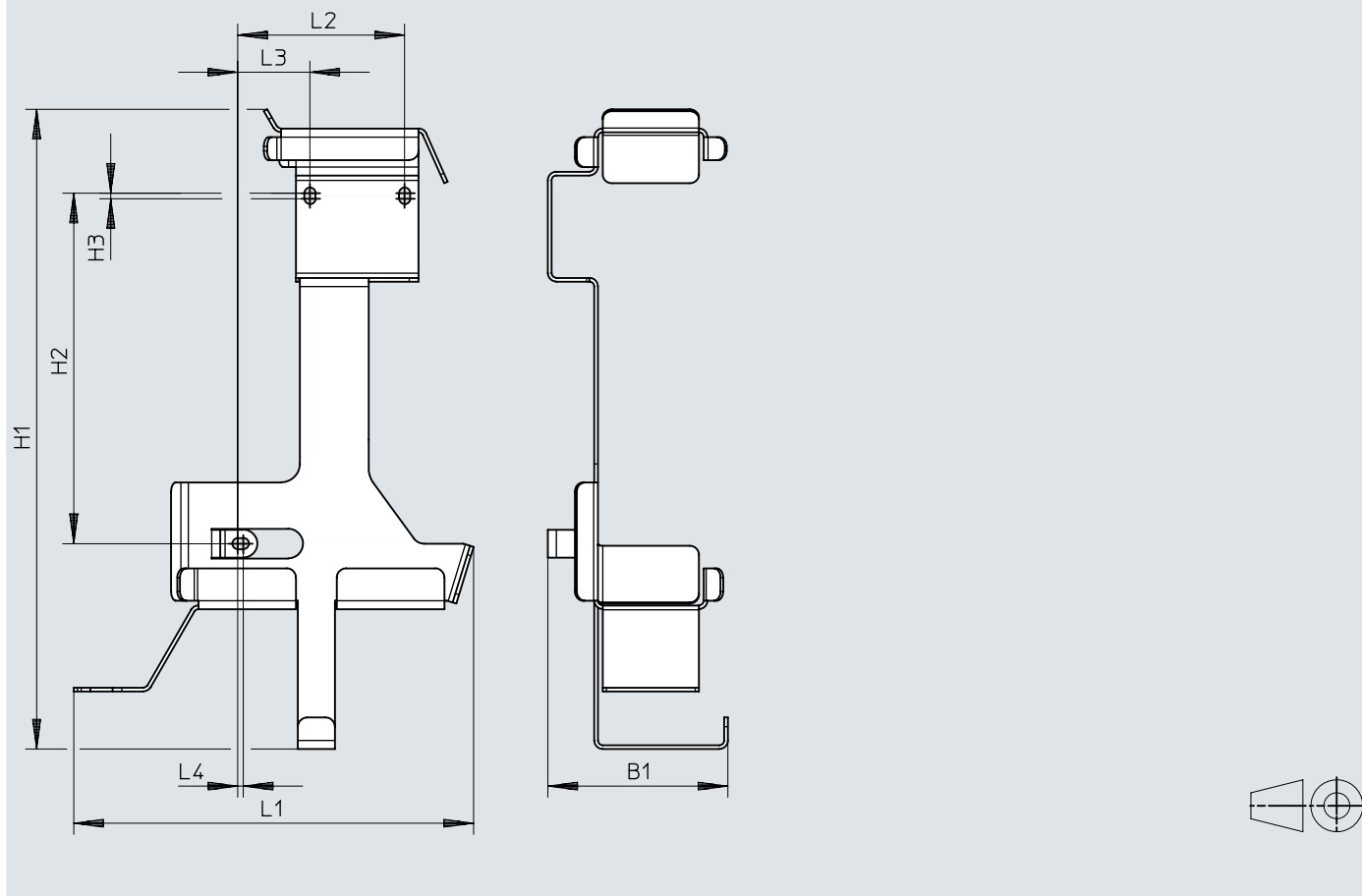
Download CAD data → [www.festo.com](http://www.festo.com)



	B1	B2	H1	L1	L2
CDSA-D3-RV	75	52	251	223	211


## Dimensions

## Dimensions – Retainer CAFM

Download CAD data → [www.festo.com](http://www.festo.com)

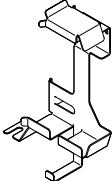
	B1	H1	H2	H3	L1	L2	L3	L4
CAFM-D4-W	97	345	188,9	3	215	89,9	38,9	3


## Ordering data

Ordering data			
	Nominal operating voltage DC	Part no.	Type
	24 V	8126915	CDSA-D3-RV



## Accessories

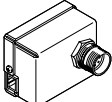
Retainer CAFM				
	Material mounting bracket	Product weight	Part no.	Type
	Powder-coated steel	749 g	<b>8127358</b>	<b>CAFM-D4-W</b>

Connecting cable NEBC					
	Degree of protection <sup>1)</sup>	Material cable sheath	Product weight	Part no.	Type
	IP65	TPE-U(PUR)	680 g	<b>8126916</b>	<b>NEBC-R3Z12G20-KH-5-N-SBS-RSG17-ET-S1</b>
			1,300 g	<b>8126917</b>	<b>NEBC-R3Z12G20-KH-10-N-SBS-RSG17-ET-S1</b>
			1,900 g	<b>8126918</b>	<b>NEBC-R3Z12G20-KH-15-N-SBS-RSG17-ET-S1</b>

<sup>1)</sup> Resistant to water, cleaning agents (alcohols and detergents), oils, greases and lubricants.

CAMF plug			
	Degree of protection <sup>1)</sup>	Part no.	Type
	IP65, To IEC 60529	<b>555676</b>	<b>CAMF-B-M25-G4</b>

<sup>1)</sup> Used to bridge the emergency stop circuit when the operator unit is not connected.

Interface housing CAMI				
	Type of mounting <sup>1)</sup>	Degree of protection	Part no.	Type
	On control cabinet wall M25	IP65, To IEC 60529	<b>552116</b>	<b>CAMI-C</b>

<sup>1)</sup> Used to connect a handheld terminal to a controller with the connecting cable NEBC.  
The 11-pin contact strip is included in the scope of delivery.