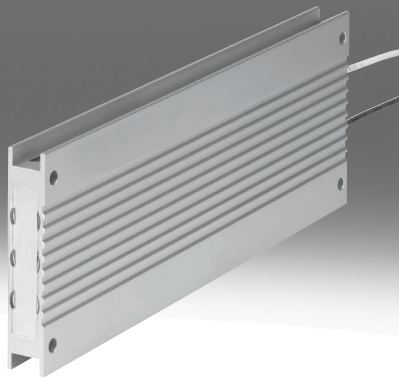


Braking resistor CACR

FESTO



Type code

001	Series
CACR	Resistance
002	Connection technology 1
LE	Open end
KL	Terminal
003	Number of pins/wires on the left
2	2

004	Resistance value
6	6 Ohm
33	33 Ohm
40	40 Ohm
50	50 Ohm
67	67 Ohm
72	72 Ohm
100	100 Ohm
240	240 Ohm

005	Nominal power
W60	60 Watt
W500	500 Watt
W1800	1800 Watt
W2000	2000 Watt
W2400	2400 Watt

Datasheet

General technical data									
Resistance value	6 Ohm	33 Ohm	40 Ohm	50 Ohm	67 Ohm	72 Ohm	100 Ohm	240 Ohm	
Performance at 35% duty cycle and 20°C	180 W	3,600 W	2,000 W	500 W	1,800 W	500 W	1,800 W	500 W	1,800 W
Brake resistance rating	60 W	1,440 W	800 W	200 W	720 W	200 W	720 W	200 W	720 W
Pulse energy for braking resistor at 380 V	2,000	21,600	8,000	2,000	10,800	2,000	10,800	2,000	10,800
Nominal power braking resistor at 380 V	60	1,440	600	150	720	150	720	150	720
Pulse energy for braking resistor at 780 V	2,000	21,600	7,200	1,800	10,800	1,800	10,800	1,800	10,800
Nominal power braking resistor at 780 V	60	1,440	480	120	720	120	720	120	720
Mounting position	Free convection, Vertical								
Type of mounting	With through-hole	Either: With through-hole With accessories							
Product weight	150 g	8,000 g	2,400 g	550 g	4,000 g	550 g	3,400 g	550 g	3,400 g

Operating and environmental conditions									
Resistance value	6	33	40	50	67	72	100	240	
Ambient temperature	-40 ... 40°C		0 ... 50°C						
Degree of protection	IP54		IP65						
Approval	c UL us - Recognized (OL)		c CSA us (OL) c UL us - Recognized (OL)						
Corrosion resistance class CRC	0 - No corrosion stress								
Note on materials	RoHS-compliant								
LABS (PWS) conformity	VDMA24364 zone III								

Matching braking resistor with servo drive

CMMT-AS-C2-3A: CACR-LE2-100-W500; CACR-KL2-100-W1800
 CMMT-AS-C4-3A: CACR-LE2-72-W500; CACR-LE2-100-W500; CACR-KL2-67-W1800; CACR-KL2-100-W1800
 CMMT-AS-C2-11A: CACR-LE2-240-W500; CACR-KL2-240-W1800
 CMMT-AS-C3-11A: CACR-LE2-240-W500; CACR-KL2-240-W1800
 CMMT-AS-C5-11A: CACR-LE2-100-W500; CACR-KL2-100-W1800
 CMMT-AS-C7-11A: CACR-LE2-72-W500; CACR-LE2-100-W500; CACR-KL2-67-W1800; CACR-KL2-100-W1800
 CMMT-AS-C12-11A: CACR-LE2-50-W500; CACR-KL2-40-W2000

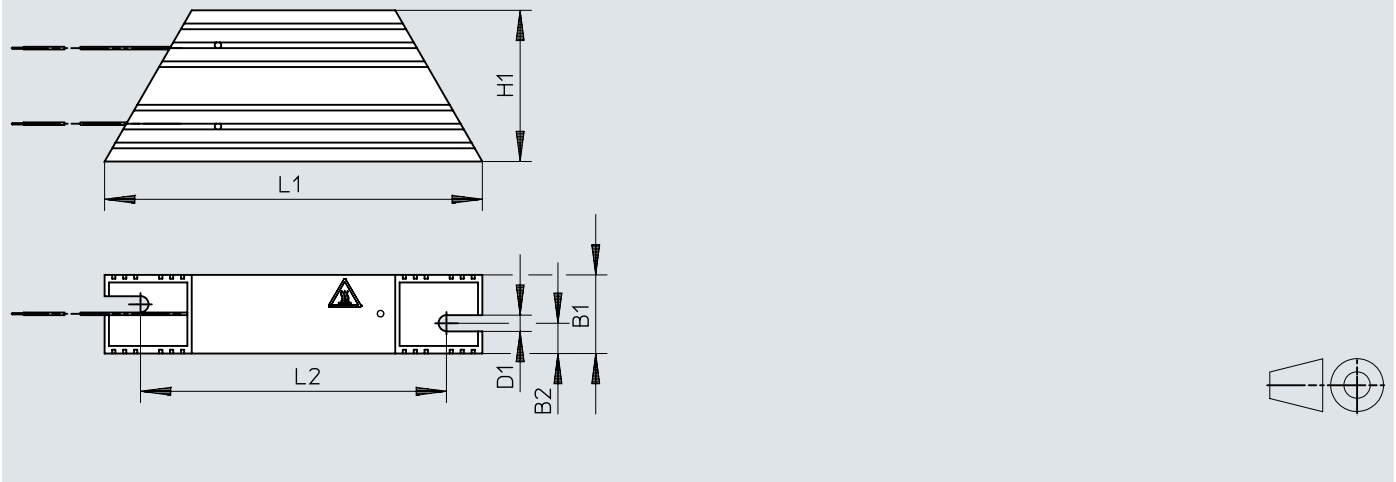
Matching braking resistor with motor controller

CMMP-AS-C2-3A-M0: CACR-LE2-50-W500; CACR-LE2-72-W500
 CMMP-AS-C5-3A-M0: CACR-LE2-50-W500; CACR-LE2-72-W500
 CMMP-AS-C5-11A-P3-M0: CACR-KL2-67-W1800; CACR-KL2-40-W2000
 CMMP-AS-C10-11A-P3-M0: CACR-KL2-67-W1800; CACR-KL2-40-W2000
 CMMP-AS-C2-3A-M3: CACR-LE2-50-W500; CACR-LE2-72-W500
 CMMP-AS-C5-3A-M3: CACR-LE2-50-W500; CACR-LE2-72-W500
 CMMP-AS-C5-11A-P3-M3: CACR-KL2-67-W1800; CACR-KL2-40-W2000
 CMMP-AS-C10-11A-P3-M3: CACR-KL2-67-W1800; CACR-KL2-40-W2000
 CMMP-AS-C20-11A-P3: CACR-KL2-33-W2400

Dimensions

Dimensions – CACR-LE2-...-W60-V

Download CAD data → www.festo.com

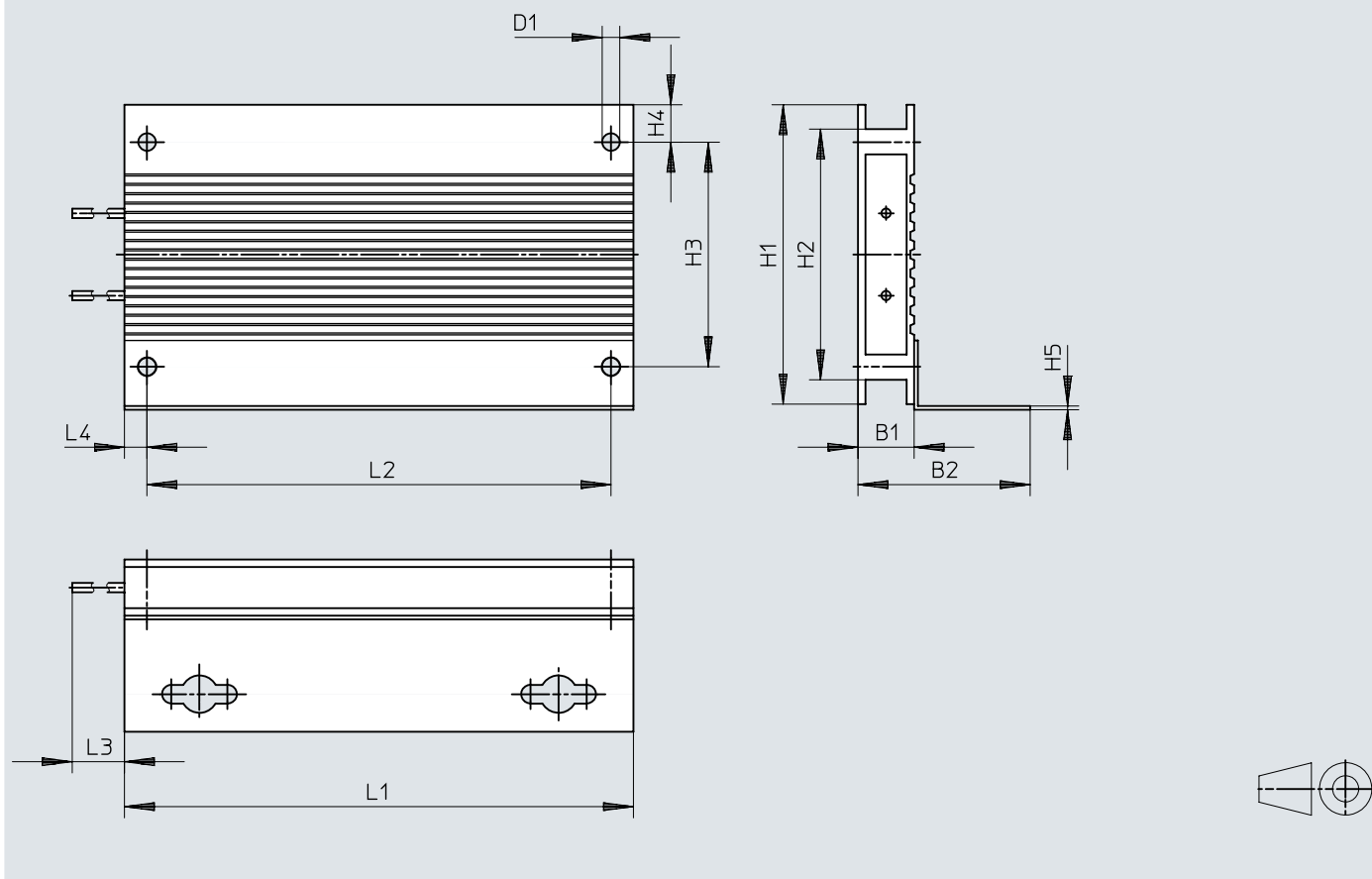


	B1	B2	D1	H1	L1	L2
	±1,2	±0,2	∅ ±1	±1	±2	±3
CACR-LE2-6-W60-V	29	22	4	49	20	25,6

Dimensions

Dimensions – CACR-LE2-...-W500

Download CAD data → www.festo.com

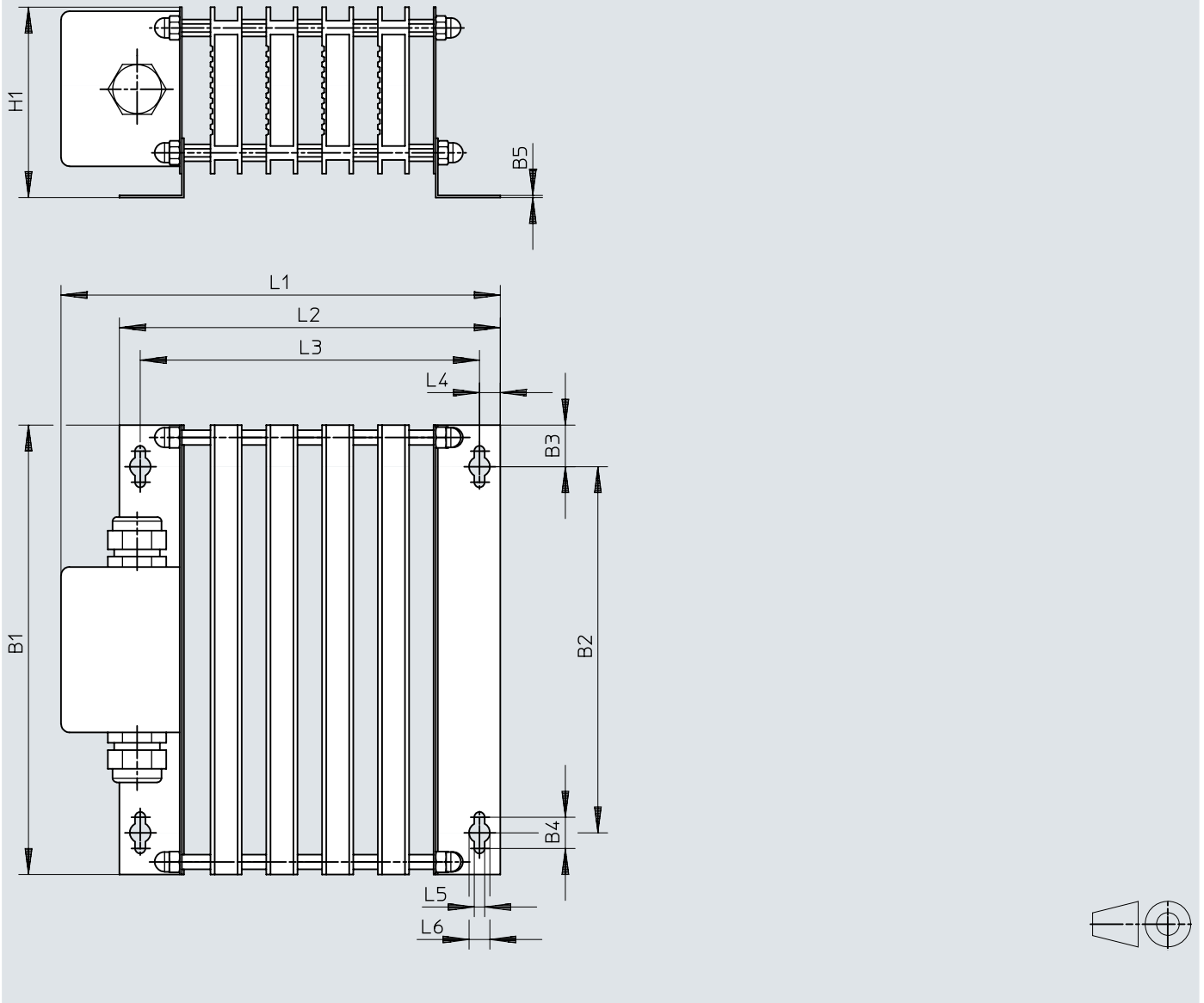


	B1	B2	D1 ∅	H1	H2	H3	H4	H5	L1	L2	L3	L4
	±0,5		±0,1		±0,3	±0,2				±0,2	±40	
CACR-LE2-50-W500	15	46	4,7	80	67	60	10	1	216	204	510	6
CACR-LE2-72-W500												
CACR-LE2-100-W500												
CACR-LE2-240-W500												

Dimensions

Dimensions – CACR-KL2-...-W1800, CACR-KL2-40-W2000

Download CAD data → www.festo.com

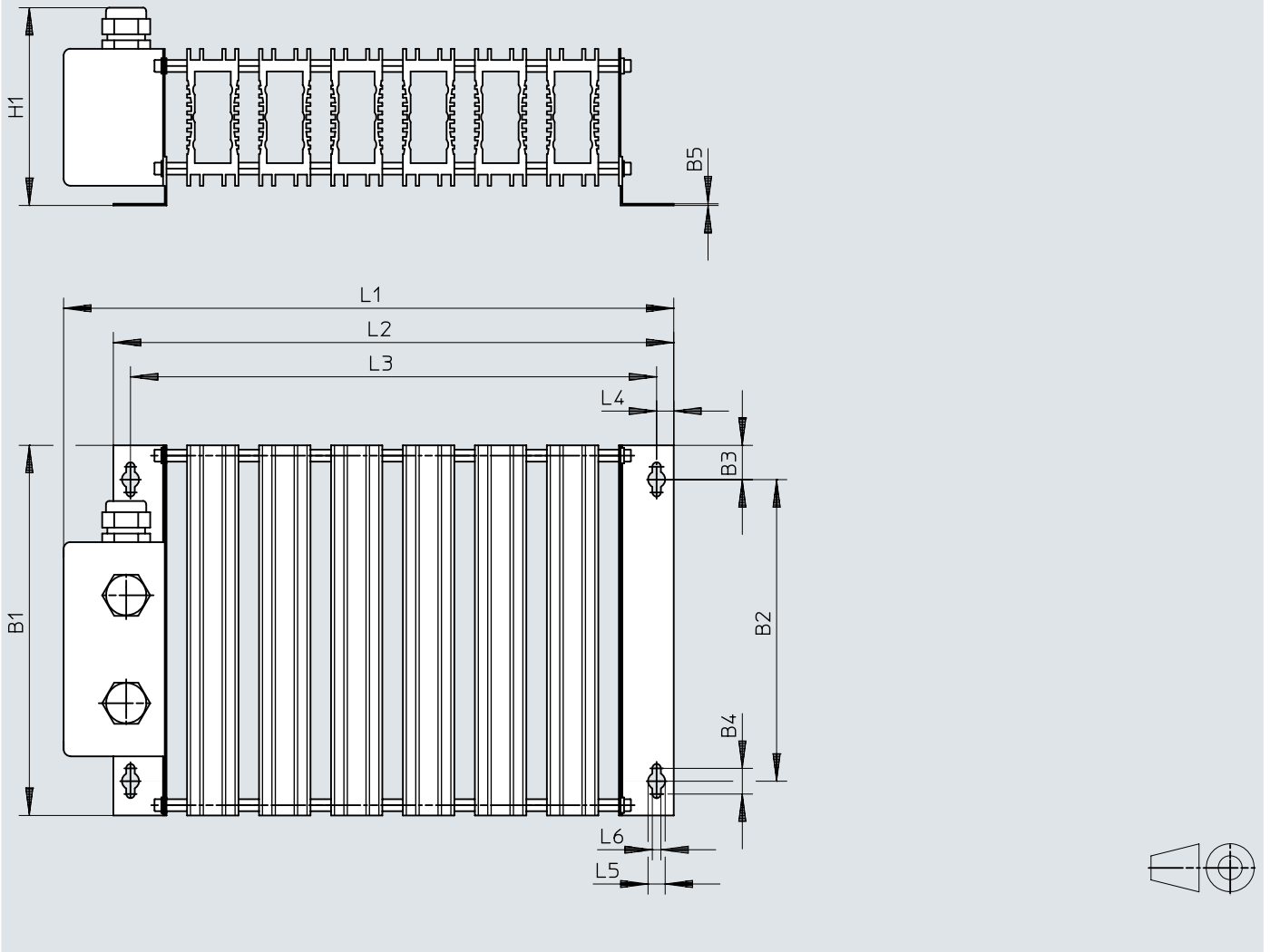


	B1	B2	B3	B4	B5	H1	L1	L2	L3	L4	L5	L6
CACR-KL2-67-W1800	216	176	20	15	1	91,5	230	201	181	10	10	5
CACR-KL2-100-W1800												
CACR-KL2-240-W1800												
CACR-KL2-40-W2000	216	176	20	15	1	91,5	211	183	163	10	10	5

Dimensions

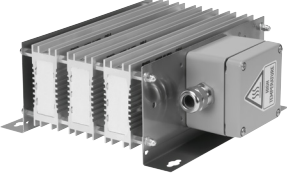
Dimensions – CACR-KL2-33-W2400

Download CAD data → www.festo.com



	B1	B2	B3	B4	B5	H1	L1	L2	L3	L4	L5	L6
CACR-KL2-33-W2400	216	176	20	15	1	115,5	356	327	307	10	10	5

Ordering data

Ordering data				
	Resistance value	Performance at 35% duty cycle and 20°C	Part no.	Type
	6 Ohm	180 W	8189339	CACR-LE2-6-W60-V
	33 Ohm	3,600 W	1336619	CACR-KL2-33-W2400
	40 Ohm	2,000 W	2882343	CACR-KL2-40-W2000
	50 Ohm	500 W	2882342	CACR-LE2-50-W500
	67 Ohm	1,800 W	1336617	CACR-KL2-67-W1800
	72 Ohm	500 W	1336611	CACR-LE2-72-W500
	100 Ohm	1,800 W	1336615	CACR-LE2-100-W500
			8091545	CACR-KL2-100-W1800
	240 Ohm	500 W	8091543	CACR-LE2-240-W500
		1,800 W	8091544	CACR-KL2-240-W1800