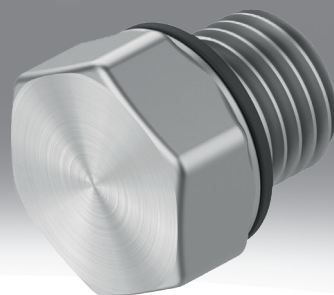


## Blanking plug B

**FESTO**



### Characteristics

#### At a glance

- Blanking plug with sealing ring
- Aluminium, stainless steel
- Variants recommended for production systems for manufacturing lithium-ion batteries

#### Special material properties

[F1A] Recommended for production plants for manufacturing lithium-ion batteries, F1A

Metals with copper, zinc or nickel as the main component are excluded from use. Exceptions are nickel in steels, chemically nickel-plated surfaces, circuit boards, cables, electrical plug connectors and coils

Application note: Foreign particles can adhere to the product or form during installation. Depending on the application, it may be necessary to purge the product with clean compressed air, to clean it after installation and to operate it with ducted exhaust air.

## Type code

<b>001</b>	<b>Series</b>	
<b>B</b>	Blanking plug	
<b>002</b>	<b>Pneumatic connection 1</b>	
<b>G1</b>	G1	
<b>G12</b>	G1/2	
<b>G14</b>	G1/4	
<b>G18</b>	G1/8	
<b>G34</b>	G3/4	
<b>G38</b>	G3/8	
<b>M3</b>	M3	
<b>M5</b>	M5	
<b>M7</b>	M7	

<b>003</b>	<b>Special material properties</b>	
	None	
<b>F1A</b>	Recommended for production plants for manufacturing lithium-ion batteries, F1A	
<b>004</b>	<b>Packaging quantity [pieces]</b>	
	Standard	
<b>P10</b>	10	
<b>P20</b>	20	
<b>P50</b>	50	
<b>P100</b>	100	

## Datasheet

**Technical data – Blanking plug with external hexagon**

Pneumatic connection, port 1	Male thread M3	Male thread M5
Type of mounting	External hexagon, size 4.5 mm, Slot 0.8 mm	External hexagon, size 7 mm
Nominal torque	0.48 Nm	1.33 Nm
Tolerance for nominal tightening torque	± 55%	± 20%
Material blanking plug	High-alloy stainless steel	Anodised aluminium
Note on materials	RoHS-compliant	
LABS (PWIS) conformity	VDMA24364-B1/B2-L	

**Technical data – Blanking plug with internal hexagon (M/G thread)**

Pneumatic connection, port 1	Male thread M5	Male thread M7	Male thread G1/8	Male thread G1/4	Male thread G3/8	Male thread G1/2	Male thread G3/4	Male thread G1
Type of mounting	Internal hexagon, size 2.5 mm	Internal hexagon, size 3 mm	Internal hexagon, size 5 mm	Internal hexagon, size 6 mm	Internal hexagon, size 8 mm	Internal hexagon, size 10 mm	Internal hexagon, size 12 mm	Internal hexagon, size 17 mm
Nominal torque	1.33 Nm	3.35 Nm	3.5 Nm	11 Nm	12.5 Nm	14 Nm	35 Nm	62.5 Nm
Tolerance for nominal tightening torque	± 20%			± 10%	± 20%		± 10%	± 20%
Conforms to standard	–		DIN 908					
Material blanking plug	Galvanised steel							
Note on materials	RoHS-compliant							
LABS (PWIS) conformity	VDMA24364-B1/B2-L							

**Technical data – Blanking plug with internal hexagon (M/G thread, F1A)**

Pneumatic connection, port 1	Male thread M5	Male thread M7	Male thread G1/8	Male thread G1/4
Type of mounting	Internal hexagon, size 2.5 mm	Internal hexagon, size 3 mm	Internal hexagon, size 5 mm	Internal hexagon, size 6 mm
Nominal torque	1.5 Nm		5 Nm	8.5 Nm
Tolerance for nominal tightening torque	-30%		± 15%	-20%
Suitability for the production of Li-ion batteries	Metals with more than 1% copper, zinc or nickel by mass are excluded from use. Exceptions are nickel in steel, chemically nickel-plated surfaces, printed circuit boards, cables, electrical plug connectors and coils			
Cleanroom class	Class 6 according to ISO 14644-1			
Conforms to standard	–		DIN 908	
Material blanking plug	Steel, nickel-plated			
Note on materials	RoHS-compliant			
LABS (PWIS) conformity	VDMA24364-B2-L			

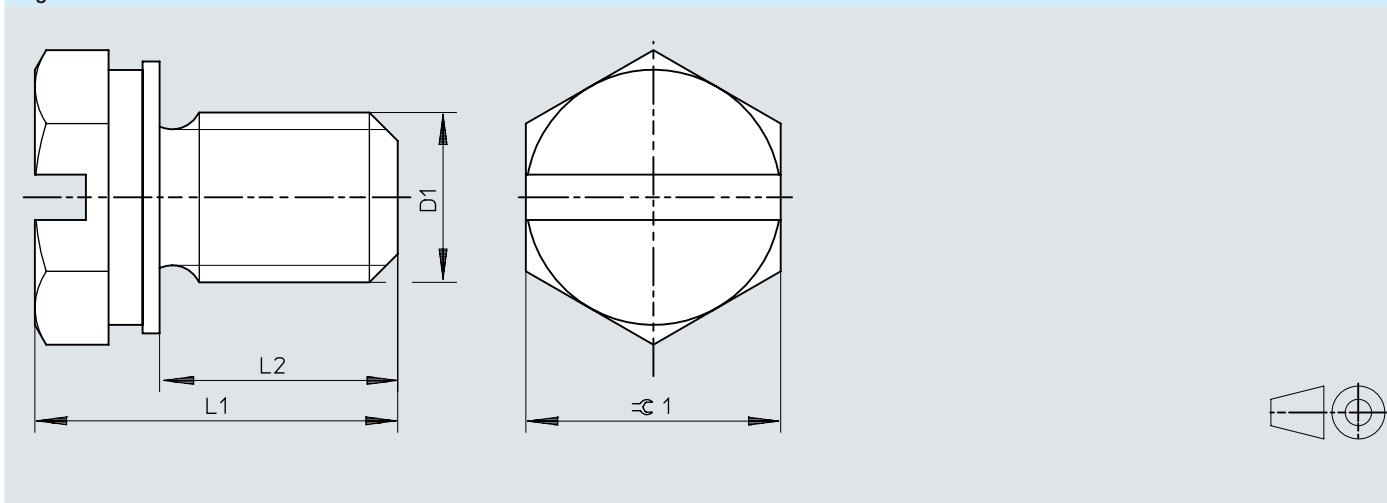
**Technical data – Blanking plug with internal hexagon (NPT thread)**

Pneumatic connection, port 1	NPT1/8-27	NPT1/4-18	NPT3/8-18	NPT1/2-14	NPT3/4-14	NPT1-11 1/2
Note on materials	RoHS-compliant					
LABS (PWIS) conformity	VDMA24364-B1/B2-L			–		

## Dimensions

Dimensions – Blanking plug B-M3-S9, with external hexagon and sealing ring

Download CAD data → [www.festo.com](http://www.festo.com)



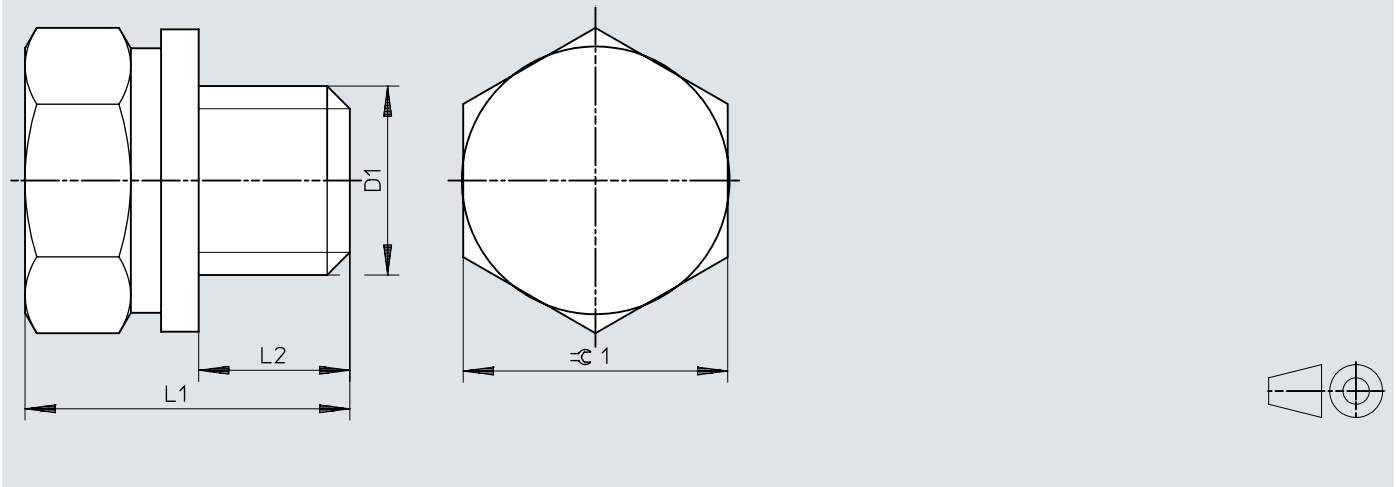
	D1	L1	L2	$\varnothing 1$
B-M3-S9	M3	5,3	2,8	4,5

# Blanking plug B

## Dimensions

Dimensions – Blanking plug B-M5, with external hexagon and sealing ring

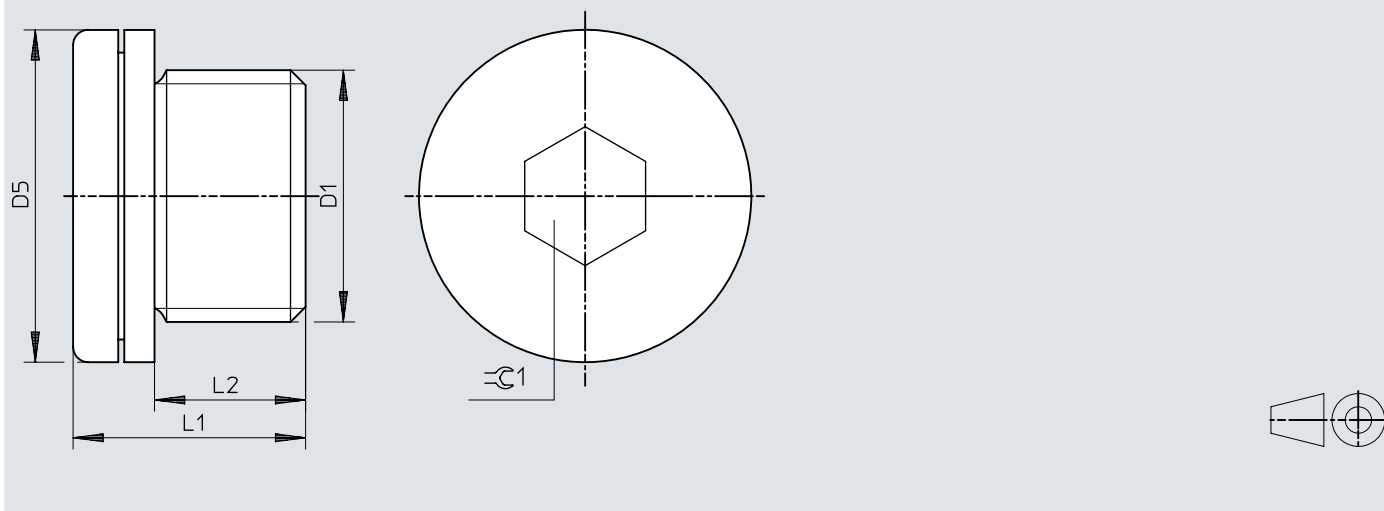
Download CAD data → [www.festo.com](http://www.festo.com)



	D1	L1	L2	∅ 1
B-M5	M5	7,8	3,8	7
B-M5-100				

## Dimensions

Dimensions – Blanking plug B with internal hexagon and sealing ring, M/G thread


Download CAD data → [www.festo.com](http://www.festo.com)


	D1	D5 ø	L1	L2	±0.1
B-M5-B	M5	8	6,3	3,8	2,5
B-M5-F1A <sup>1)</sup>					
B-M7	M7	9,5	7,8	5,3	3
B-M7-F1A <sup>1)</sup>					
B-1/8	G1/8	14	11	6,4	5
B-1/8-100					
B-1/8-F1A <sup>1)</sup>					
B-1/4	G1/4	18	15	9,8	6
B-1/4-50					
B-1/4-F1A <sup>1)</sup>					
B-3/8	G3/8	22	15	9,8	8
B-3/8-20					
B-1/2	G1/2	26	18	11,65	10
B-1/2-20					
B-3/4	G3/4	32	20	13,05	12
B-1	G1	39	21	14	17


1) Recommended for battery production


## Blanking plug B

### Ordering data

Blanking plug with external hexagon, slot and sealing ring						
	Pneumatic connection, port 1	Type of mounting	Size of pack	Product weight	Part no.	Type
	Male thread M3	External hexagon, size 4.5 mm, Slot 0.8 mm	10	1 g	★ 30979	B-M3-S9

Blanking plug with external hexagon and sealing ring						
	Pneumatic connection, port 1	Type of mounting	Size of pack	Product weight	Part no.	Type
	Male thread M5	External hexagon, size 7 mm	10	1 g	★ 3843	B-M5
100			534212		B-M5-100	

Blanking plug with internal hex and sealing ring					
	Pneumatic connection, port 1	Size of pack	Product weight	Part no.	Type
	Male thread M5	10	1 g	★ 174308	B-M5-B
	Male thread M7		2 g	★ 174309	B-M7
	Male thread G1/8		7 g	★ 3568	B-1/8
		100	534213	B-1/8-100	
	Male thread G1/4	10	15 g	★ 3569	B-1/4
		50		534214	B-1/4-50
	Male thread G3/8	10	23 g	★ 3570	B-3/8
		20		534215	B-3/8-20
	Male thread G1/2	10	43 g	★ 3571	B-1/2
		20		534216	B-1/2-20
	Male thread G3/4	1	76 g	★ 3572	B-3/4
	Male thread G1		123 g	★ 5763	B-1
	NPT1/8-27		2 g	173985	B-1/8-NPT
	NPT1/4-18		4.82 g	174165	B-1/4-NPT
	NPT3/8-18		10 g	174169	B-3/8-NPT
NPT1/2-14	25.3 g		31785	B-1/2-NPT	
NPT3/4-14	38.5 g		31786	B-3/4-NPT	
NPT1-11 1/2	85 g		31787	B-1-NPT	

Blanking plug with internal hex socket and sealing ring (F1A)					
	Pneumatic connection, port 1	Size of pack	Product weight	Part no.	Type
	Male thread M5	10	1 g	8142288	B-M5-F1A
	Male thread M7		2 g	8144525	B-M7-F1A
	Male thread G1/8		7 g	8142289	B-1/8-F1A
	Male thread G1/4		15 g	8142290	B-1/4-F1A