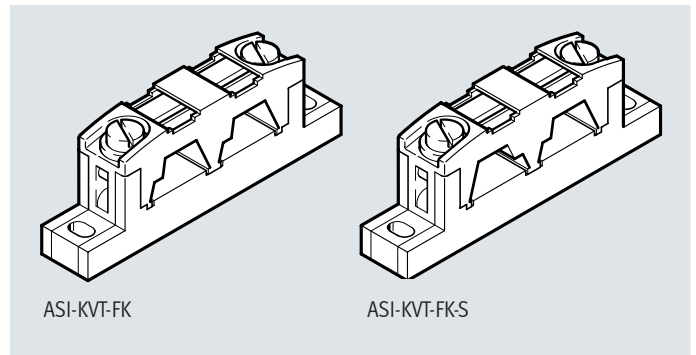


Data sheet

Cable distributor ASI-KVT-FK

- Flat cable distributor for branching the AS-Interface network at any desired point
- For parallel or symmetrical cable installation
- Reverse polarity protected



General technical data

Mounting position		Any
Type of mounting		Via through-hole
Operating voltage range	[V AC]	0 ... 60
	[V DC]	0 ... 75
Current rating	[A]	3
Connection type		Insulation displacement technology
Connection cross section	[mm ²]	1.5
Degree of protection		IP65 (fully assembled)
Product weight	[g]	7.2

Materials

Housing		PA
Pin contacts		Bronze

Operating and environmental conditions

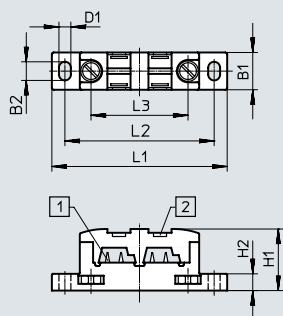
Ambient temperature with flexible cable installation	[°C]	-5 ... +50
Storage temperature	[°C]	-30 ... +85

Data sheet

Dimensions

Download CAD data → www.festo.com

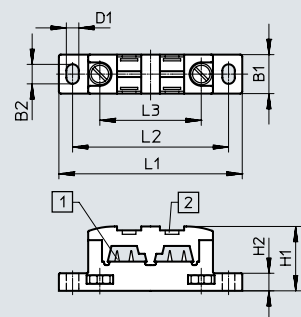
ASI-KVT-FK



- [1] Contact pins for flat cable contacting
- [2] Mounting option for inscription labels IBS-6x10

Type	B1	B2	D1	H1	H2	L1	L2	L3
ASI-KVT-FK	10	5	3.2	16.5	4.5	47	40	26

ASI-KVT-FK-S



- [1] Contact pins for flat cable contacting
- [2] Mounting option for inscription labels IBS-6x10

Type	B1	B2	D1	H1	H2	L1	L2	L3
ASI-KVT-FK-S	10	5	3.2	16.5	4.5	47	40	26

Ordering data

	Part no.	Type
Parallel cable throughfeed	18786	ASI-KVT-FK
Symmetrical cable throughfeed	18797	ASI-KVT-FK-S

Ordering data – Accessories

	Description	Part no.	Type
	Inscription labels 6x10 mm, 64 pieces, in frame	18576	IBS-6x10

Festo - Your Partner in Automation



1 Festo Inc.
5300 Explorer Drive
Mississauga, ON L4W 5G4
Canada

Festo Customer Interaction Center
Tel: 1 877 463 3786
Fax: 1 877 393 3786
Email: customer.service.ca@festo.com



2 Festo Pneumatic
Av. Ceylán 3,
Col. Tequesquináhuac
54020 Tlalnepantla,
Estado de México

Multinational Contact Center
01 800 337 8669
ventas.mexico@festo.com



3 Festo Corporation
1377 Motor Parkway
Suite 310
Islandia, NY 11749

Festo Customer Interaction Center
1 800 993 3786
1 800 963 3786
customer.service.us@festo.com



4 Regional Service Center
7777 Columbia Road
Mason, OH 45040

Connect with us



www.festo.com/socialmedia



www.festo.com

Subject to change