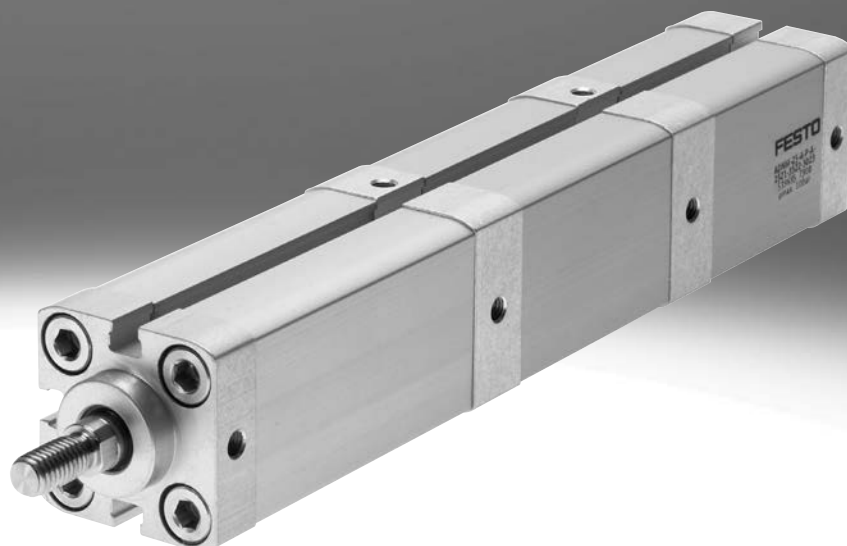


## Multi-position cylinders

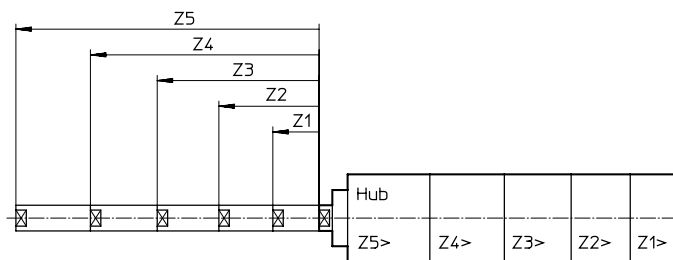
**FESTO**



## Product range overview

### Functional principle

By connecting 2 to 5 cylinders in series with the same piston diameter and different stroke lengths, up to 5 positions Z1 ... Z5 can be approached.



- 0 Initial position
- Z1 Position 1
- Z2 Position 2
- Z3 Position 3
- Z4 Position 4
- Z5 Position 5

The following rules must be observed to ensure the functionality of the cylinder:

Rules	Example: ADN-25-...-50Z1-100Z2-150Z3-200Z4-300Z5, with 5 positions		
[1] The subsequent position (e.g.: Z4) must be greater than the sum of the preceding position (Z3) plus the positional tolerance T (→ table below) $Z_n > Z_{n-1} + T_{n-1}$	Pos. Z2 (100 mm) > Pos. Z1 (50 mm) + 6.3 mm Pos. Z3 (150 mm) > Pos. Z2: (100 mm) + 4.8 mm Pos. Z4 (200 mm) > Pos. Z3: (150 mm) + 3.3 mm Pos. Z5 (300 mm) > Pos. Z4: (200 mm) + 1.8 mm		
[2] The sum of all the positions must not exceed the following values: ø 25: 1000 mm ø 40, 63, 100: 2000 mm	$Z5 + Z4 + Z3 + Z2 + Z1 \leq 1000$	Pos. Z1: 50 mm Pos. Z2: 100 mm Pos. Z3: 150 mm	Pos. Z4: 200 mm Pos. Z5: 300 mm Sum: 800 mm ≤ 1000 mm
[3] Each position of the internal cylinders must not exceed the following values: ø 25: 200 mm ø 40, 63: 300 mm ø 100: 400 mm	Pos. Z1: 50 mm ≤ 200 mm Pos. Z2: 100 mm ≤ 200 mm Pos. Z3: 150 mm ≤ 200 mm Pos. Z4: 200 mm ≤ 200 mm		
[4] The position of the last cylinder must not exceed the following values: ø 25: 300 mm ø 40, 63, 100: 1000 mm	Pos. Z5: 300 mm ≤ 300 mm		

### Positional tolerance T [mm]

The subsequent position must be greater than the sum of the preceding position plus the positional tolerance T.

The positional tolerance depends on the number of positions.

Position	Z1	Z2	Z3	Z4	Z5
<b>Piston ø 25</b>					
Cylinder with 2 positions	1.8	0.8	-	-	-
Cylinder with 3 positions	3.3	1.8	0.8	-	-
Cylinder with 4 positions	4.8	3.3	1.8	0.8	-
Cylinder with 5 positions	6.3	4.8	3.3	1.8	0.8
<b>Piston ø 40, 63, 100</b>					
Cylinder with 2 positions	1.8	0.8	-	-	-
Cylinder with 3 positions	3.4	1.8	0.8	-	-
Cylinder with 4 positions	5	3.4	1.8	0.8	-
Cylinder with 5 positions	6.6	5	3.4	1.8	0.8

## Type codes

001	Series	
ADNM	Multi-position cylinder, double-acting, standard hole pattern	

002	Piston diameter	
25	25	
40	40	
63	63	
100	100	

003	Piston rod thread type	
A	Male thread	
I	Female thread	

004	Cushioning	
P	Elastic cushioning rings/plates on both sides	

005	Position sensing	
A	For proximity sensor	

006	Position Z	
...Z1	1 ... 400 mm	

007	Z2 - 2nd position mm	
...Z2	1 ... 1000 mm	

008	Z3 - 3rd position	
...Z3	1 ... 1000 mm	

009	Z4 - 4th position	
...Z4	1 ... 1000 mm	

010	Z5 - 5th position	
...Z5	1 ... 1000 mm	

011	Piston rod thread extension	
	None	
...K2	1 ... 30 mm	

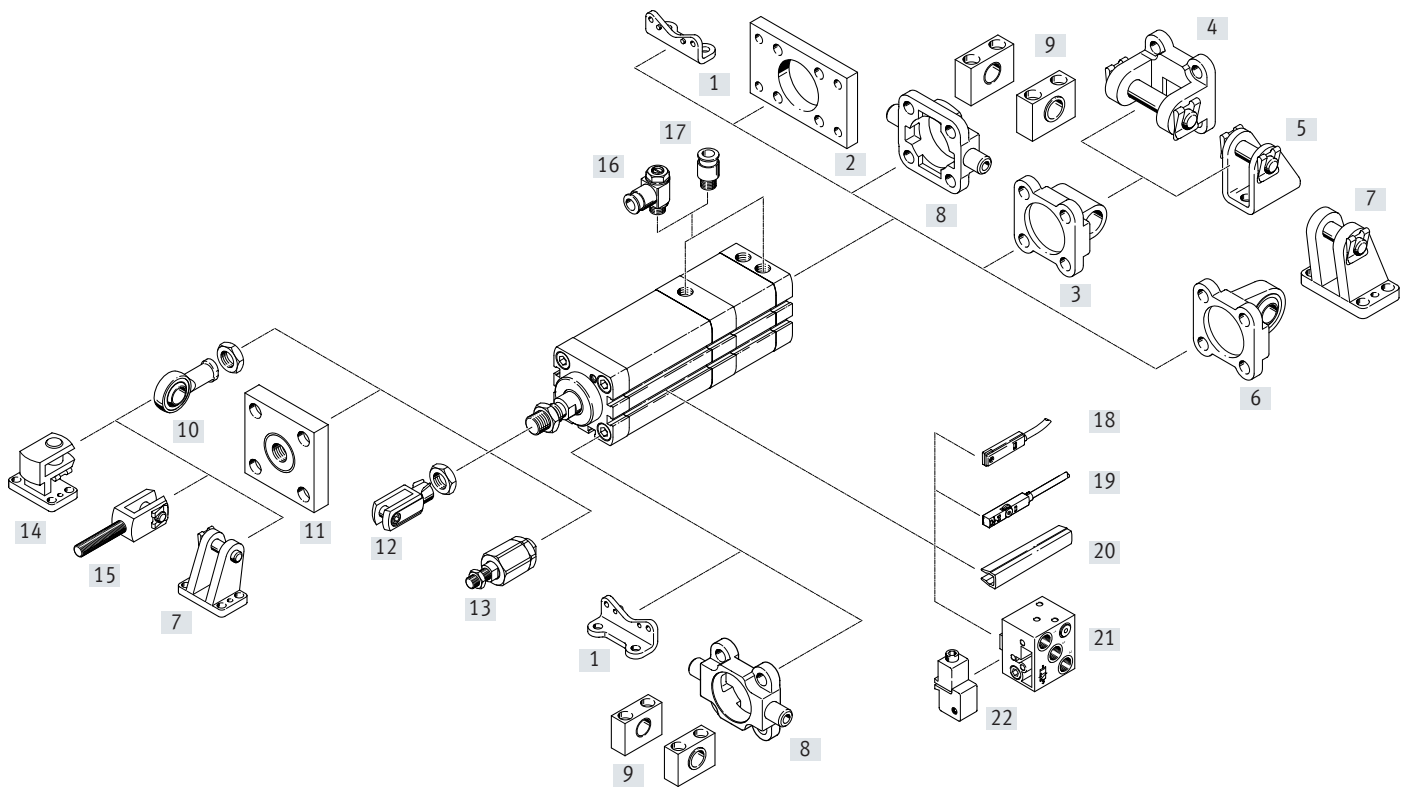
012	Custom thread	
"M5"K5	M5	
"M8"K5	M8	
"M10"K5	M10	
"M10x-1,25"K5	M10x1.25	
"M12"K5	M12	
"M12x1,25"K5	M12x1.25	
"M16"K5	M16	
"M16x-1,5"K5	M16x1.5	
"M20"K5	M20	

013	Piston rod extension	
	None	
...K8	1 ... 500 mm	

014	Temperature resistance	
	Standard	
S6	Heat-resistant seals max. 120 °C	

015	Captive rating plate	
	Rating plate, glued	
TL	Laser etched rating plate	

Peripherals overview

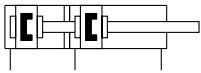




## Peripherals overview

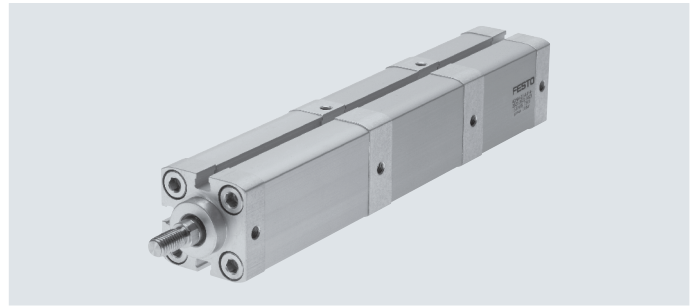
Mounting components and accessories		Description	∅ 25	∅ 40, 63, 100	→ Page/Internet
[1]	Foot mounting HNA	For bearing and end caps	■	■	14
[2]	Flange mounting FNC	For end caps	■	■	15
[3]	Swivel flange SNCL/SNCL-...-R3	For end caps	■	■	16
[4]	Swivel flange SNCB/SNCB-...-R3	For swivel flange SNCL	–	■	19
[5]	Clevis foot LBN/CRLBN	For swivel flange SNCL	■	–	18
[6]	Swivel flange SNCS/CRSNCS/SNCS-...-R3	For end caps	–	■	17
[7]	Clevis foot LBG/LBG-...-R3	For swivel flange SNCS	–	■	18
[8]	Trunnion flange ZNCF/CRZNG	For bearing caps	–	■	20
[9]	Trunnion support LNZG	For trunnion flange ZNCF/CRZNG	–	■	20
[10]	Rod eye SGS/CRSGS	With spherical bearing	■	■	21
[11]	Coupling piece KSG	To compensate for radial deviations	■	■	21
[12]	Rod clevis SG/CRSG	Permits a swivelling movement of the cylinder in one plane	■	■	21
[13]	Self-aligning rod coupler FK/CRFK	To compensate for radial and angular deviations	■	■	21
[14]	Right-angle clevis foot LQG	For rod eye SGS	–	■	18
[15]	Rod clevis SGA	With male thread	–	■	21
[16]	One-way flow control valve GRLA	For regulating speed	■	■	22
[17]	Push-in fitting QS	For connecting tubing with standard O.D.	■	■	qs
[18]	Proximity switch SME-8	Can be integrated in the cylinder profile barrel	■	■	22
[19]	Proximity switch SME/SMT-8M	Can be integrated in the cylinder profile barrel	■	■	22
[20]	Slot cover ABP-5-S	For protecting the sensor cables and the sensor slots from contamination	■	■	23
[21]	Proximity switch SMPO-8E	Pneumatic output signal	■	■	23
[22]	Mounting kit SMB-8E	For proximity switch SMPO-8E	■	■	23

# Multi-position cylinders ADN, standard hole pattern

## Data sheet



-  - Diameter  
25 ... 100 mm
-  - Stroke length  
1 ... 1000 mm



General technical data				
Piston $\varnothing$	25	40	63	100
Pneumatic connection	M5	M5	G1/8	G1/8
Piston rod thread				
Female	M6	M10	M12	M16
Male	M8	M12x1.25	M16x1.5	M20x1.5
Design	Piston			
	Piston rod			
	Cylinder barrel			
Cushioning	Elastic cushioning rings/plates at both ends			
Position sensing	Via proximity switch			
Type of mounting	With female thread			
	Via accessories			
Mounting position	Any			

Operating and environmental conditions				
Piston $\varnothing$	25	40	63	100
Operating medium	Compressed air to ISO 8573-1:2010 [7:4:4]			
Note on the operating/pilot medium	Lubricated operation possible (in which case lubricated operation will always be required)			
Operating pressure				
in [MPa]				
With 2 positions	[MPa]	0.08 ... 1	0.06 ... 1	
With 3 positions	[MPa]	0.11 ... 1	0.09 ... 1	
With 4 positions	[MPa]	0.14 ... 1	0.12 ... 1	
With 5 positions	[MPa]	0.17 ... 1	0.15 ... 1	
in [bar]				
With 2 positions	[bar]	0.8 ... 10	0.6 ... 10	
With 3 positions	[bar]	1.1 ... 10	0.9 ... 10	
With 4 positions	[bar]	1.4 ... 10	1.2 ... 10	
With 5 positions	[bar]	1.7 ... 10	1.5 ... 10	
Ambient temperature <sup>1)</sup>	[°C]	-20 ... +80		
	S6 [°C]	0 ... +120		
Corrosion resistance class CRC <sup>2)</sup>		2		

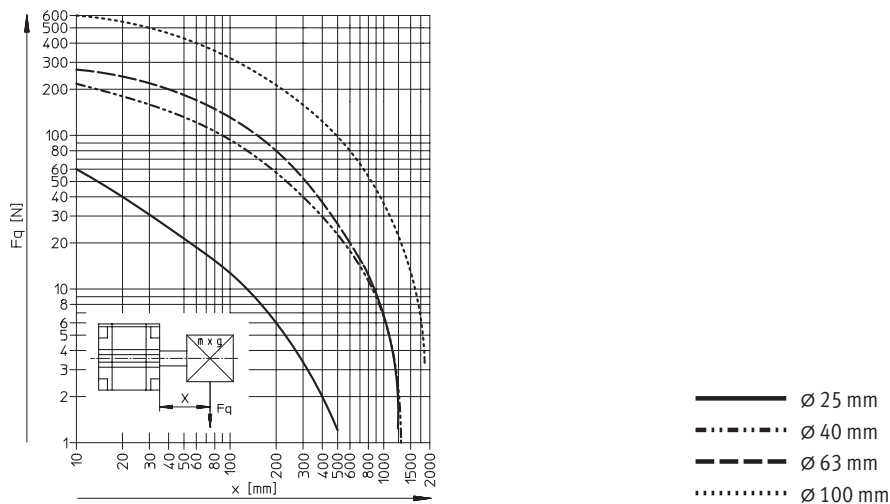
1) Note operating range of proximity switches

2) Corrosion resistance class CRC 2 to Festo standard FN 940070

Moderate corrosion stress. Indoor applications in which condensation can occur. External visible parts with primarily decorative surface requirements which are in direct contact with a normal industrial environment.

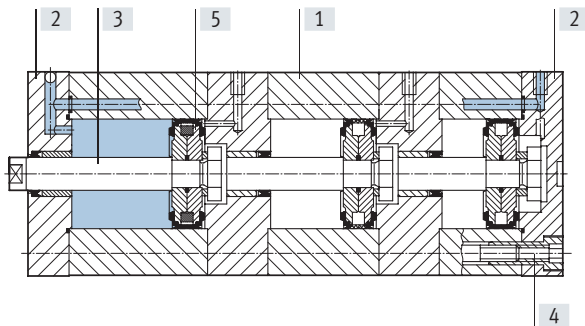
## Data sheet

Forces [N] and impact energy [J]				
Piston $\varnothing$	25	40	63	100
Theoretical force at 6 bar, advancing	295	754	1870	4712
Theoretical force at 6 bar, retracting	247	633	1681	4417
Max. impact energy at the end positions	0.3	0.7	1.3	2.5
	S6 0.15	0.35	0.65	1.25

Max. lateral force  $F_q$  as a function of the projection  $x$ 

## Materials

## Sectional view



**Note**  
 [5] Position sensing possible:  
 $\varnothing$  25: in all positions  
 $\varnothing$  40, 63, 100: in last position

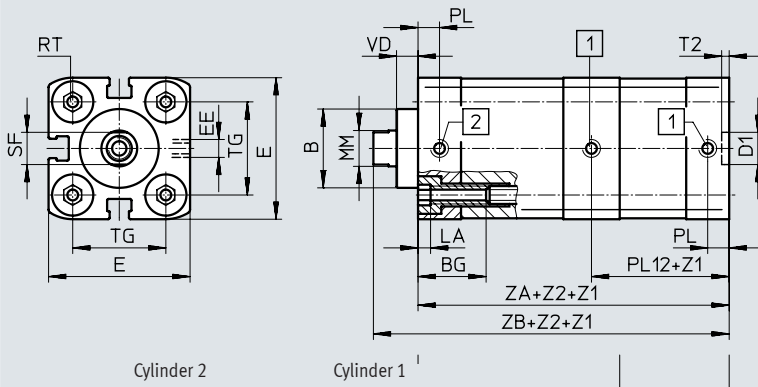
Multi-position cylinder	Basic version	S6
[1] Cylinder barrel	Anodised aluminium	Anodised aluminium
[2] Cover	Anodised aluminium	Anodised aluminium
[3] Piston rod	High-alloy steel	High-alloy steel
[4] Flange screws	Galvanised steel	Galvanised steel
- Seals	Polyurethane	Fluoro rubber
PWIS conformity	VDMA24364-B1/B2-L	
Note on materials	RoHS-compliant	

Data sheet

Dimensions – Basic version

Download CAD data → [www.festo.com](http://www.festo.com)

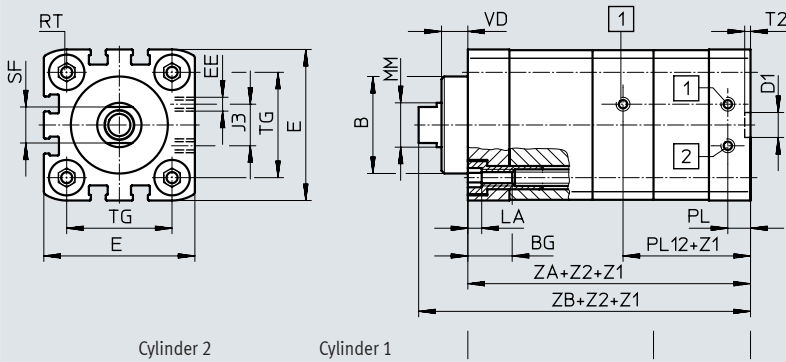
∅ 25/Z2 – 2 positions



- [1] Cylinder advancing
- [2] Cylinder retracting

Z1 = Position 1  
Z2 = Position 2

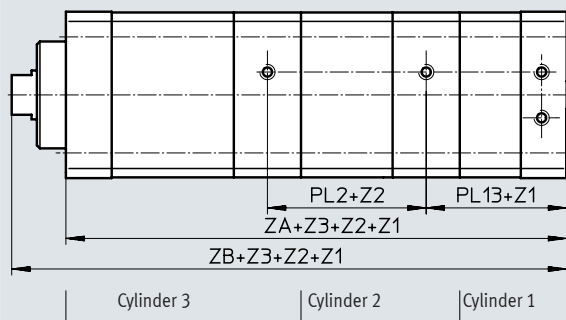
∅ 40 ... 100/Z2 – 2 positions



- [1] Cylinder advancing
- [2] Cylinder retracting

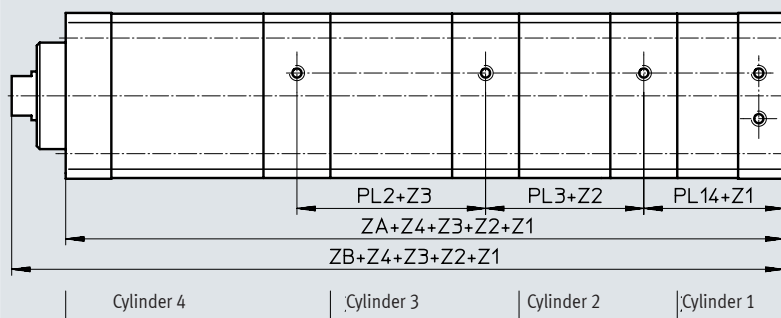
Z1 = Position 1  
Z2 = Position 2

Z3 – 3 positions



Z1 = Position 1  
Z2 = Position 2  
Z3 = Position 3

Z4 – 4 positions



Z1 = Position 1  
Z2 = Position 2  
Z3 = Position 3  
Z4 = Position 4

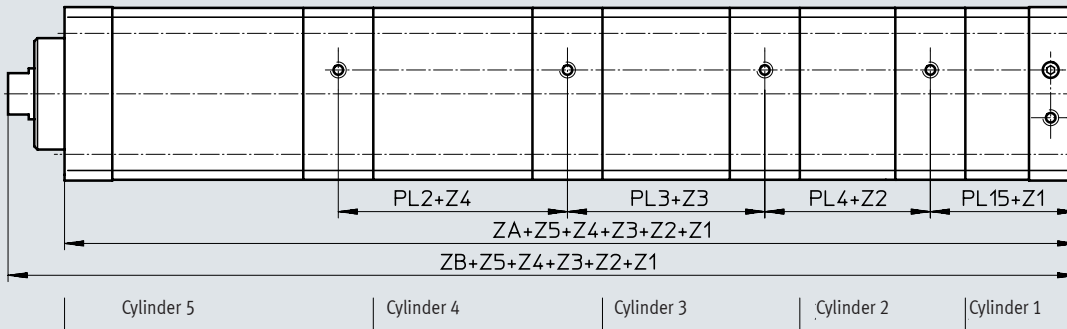


Data sheet

Dimensions – Basic version

Download CAD data → [www.festo.com](http://www.festo.com)

Z5 – 5 positions



- Z1 = Position 1
- Z2 = Position 2
- Z3 = Position 3
- Z4 = Position 4
- Z5 = Position 5

∅ [mm]	B ∅ f8	BG min.	D1 ∅ H9	E	EE	J3	LA +0.2	MM ∅ h8	PL +0.2	PL2 ±0.3
25	22	15	9	39.5 <sup>+0.3</sup>	M5	–	5	10	6	32.1
40	35	16	12	54.5 <sup>+0.3</sup>	G1/8	15	23	16	8.2	38.3
63	42	75.5 <sup>+0.3</sup>		40		20		8.2	41.4	
100	55	17	113.5 <sup>+0.6</sup>				25	10.5	50.8	

∅ [mm]	PL3 ±0.3	PL4 ±0.3	PL12 ±0.3	PL13 ±0.3	PL14 ±0.3	PL15 ±0.3	RT	SF	T2 +0.1	TG ±0.2	VD
25	33.6	35.1	41.9	44.4	45.3	44.8	M5	9	2.1	26	6
40	39.9	41.5	45.7	47.0	48.8	50.6	M6	13	2.1	38	9.5
63	43.0	44.6	49.3	50.6	52.4	54.2	M8	17	2.6	56.5	12
100	52.4	54.0	63.2	64.6	66.7	68.8	M10	21	2.6	89	15.5

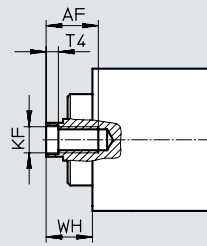
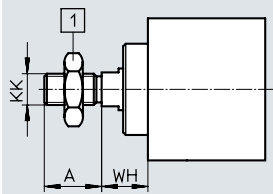
∅ [mm]	ZA Number of positions				ZB Number of positions			
	2	3	4	5	2	3	4	5
25	76.3 <sup>+1.2</sup>	110.5 <sup>+1.8</sup>	144.7 <sup>+2.4</sup>	178.9 <sup>+3</sup>	88.5 <sup>+1.6</sup>	122.7 <sup>+2.2</sup>	156.9 <sup>+2.8</sup>	191.1 <sup>+3.5</sup>
40	86.2 <sup>+1.2</sup>	125.5 <sup>+1.8</sup>	166.9 <sup>+2.4</sup>	209.9 <sup>+3</sup>	104.6 <sup>+1.6</sup>	143.9 <sup>+2.2</sup>	185.2 <sup>+2.8</sup>	228.2 <sup>+3.5</sup>
63	93.3 <sup>+1.2</sup>	135.7 <sup>+1.8</sup>	180.2 <sup>+2.4</sup>	226.3 <sup>+3</sup>	114.6 <sup>+1.6</sup>	157 <sup>+2.2</sup>	201.4 <sup>+2.8</sup>	247.5 <sup>+3.5</sup>
100	120.9 <sup>+1.2</sup>	172.8 <sup>+1.8</sup>	227 <sup>+2.4</sup>	282.8 <sup>+3</sup>	147.9 <sup>+1.6</sup>	199.8 <sup>+2.2</sup>	253.9 <sup>+2.8</sup>	309.7 <sup>+3.5</sup>

Data sheet

Dimensions – Variants

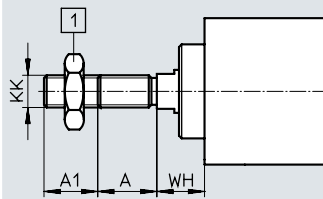
Download CAD data → [www.festo.com](http://www.festo.com)

Basic version



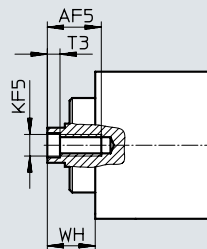
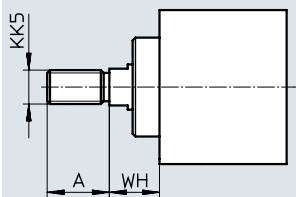
[1] Hex nut DIN 439-B  
for  $\varnothing$  40 ... 100 only

K2 – Extended male piston rod thread

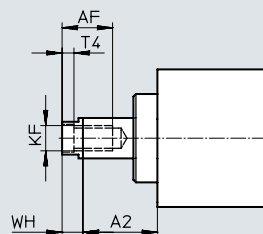
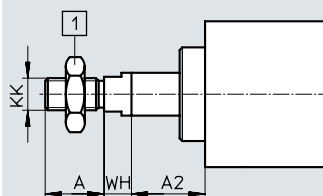


[1] Hex nut DIN 439-B  
for  $\varnothing$  40 ... 100 only

K5 – Special piston rod thread



K8 – Extended piston rod



[1] Hex nut DIN 439-B  
for  $\varnothing$  40 ... 100 only

## Data sheet

∅ [mm]	A -0.5	A1	A2	AF min.	AF5 min.	KF	KF5	KK	KK5	T3	T4	WH +1.3
25	16	1 ... 20	1 ... 150	14	12	M6	M5	M8	M10x1.25 M10	2	2.6	11.8
40	22			20	16	M10	M8	M12x1.25	M10x1.25 M12	3.3	4.7	18
63	28			20	M12	M10	M16x1.5	M12x1.25 M16	4.7	6.1	21	
100	40	1 ... 30		25	-	M16	-	M20x1.5	M16x1.5 M20	-	7	26.5

## Ordering data – Modular product system

Ordering table							
Size	25	40	63	100	Conditions	Code	Enter code
Module no.	<b>539695</b>	<b>539696</b>	<b>539697</b>	<b>539698</b>			
Function	Multi-position cylinder, standard hole pattern					ADNM	ADNM
Size [mm]	25	40	63	100		-...	
Thread type	Male thread					-A	
	Female thread					-I	
Cushioning	Elastic cushioning rings/plates at both ends					-P	-P
Position sensing	Via proximity switch					-A	-A
1st position [mm]	1 ... 200	1 ... 300	1 ... 300	1 ... 400		-...Z1	- ... Z1
2nd position [mm]	1 ... 300	1 ... 1000	1 ... 1000	1 ... 1000	[1] [2] [3] [4]	-...Z2	- ... Z2
3rd position [mm]	1 ... 300	1 ... 1000	1 ... 1000	1 ... 1000	[1] [2] [3] [4]	-...Z3	
4th position [mm]	1 ... 300	1 ... 1000	1 ... 1000	1 ... 1000	[1] [2] [3] [4]	-...Z4	
5th position [mm]	1 ... 300	1 ... 1000	1 ... 1000	1 ... 1000	[1] [2] [3] [4]	-...Z5	

The retracted piston rod serves as a reference point for all positions.

- [1] Z2 ... Z5 The subsequent position (e.g.: Z4) must be greater than the sum of the preceding position (Z3) plus the positional tolerance T.
- [2] Z2 ... Z5 The sum of all the positions must not exceed the following values:  
 ø25: 1000 mm  
 ø40, 63, 100: 2000 mm
- [3] Z2 ... Z5 Each position of the internal cylinders must not exceed the following values:  
 ø25: 200 mm  
 ø40, 63: 300 mm  
 ø100: 400 mm
- [4] Z2 ... Z5 The position of the last cylinder must not exceed the following values:  
 ø25: 300 mm  
 ø40, 63, 100: 1000 mm

## Ordering data – Modular product system

Ordering table		25	40	63	100	Conditions	Code	Enter code
Extended male thread	Extended male piston rod thread							
[mm]		1 ... 20	1 ... 20	1 ... 20	1 ... 30		-...K2	
Special thread on the piston rod	M10x1.25	M10x1.25	M12x1.25	M16x1.5		[5]	-“...”K5	
	M10	M12	M16	M20				
	M5	M8	M10	-	[6]			
Extended piston rod	Extended piston rod							
[mm]		1 ... 300	1 ... 400	1 ... 400	1 ... 500	[7]	-...K8	
Temperature resistance	Heat-resistant seals max. 120°C						-S6	
Captive rating plate	Laser-etched rating plate						-TL	

[5] K5 Only with piston rod thread A (male thread)

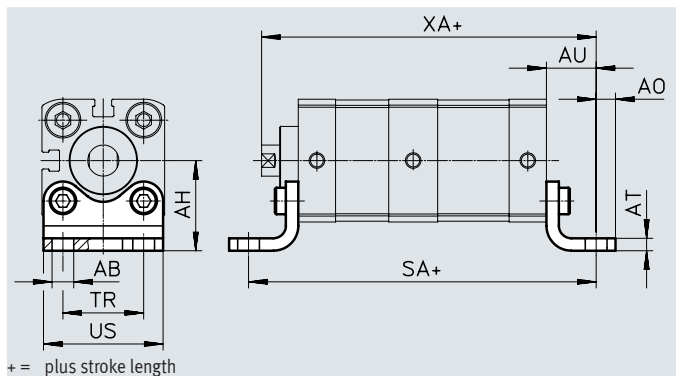
[6] K5 Only with piston rod thread I (female thread)

[7] K8 The sum of the length of the last position and the piston rod extension must not exceed the maximum permissible length of the last position

## Accessories

### Foot mounting HNA

Material:  
 HNA: Galvanised steel  
 HNA-...-R3: Steel with protective coating  
 RoHS-compliant



#### Dimensions and ordering data

For $\varnothing$ [mm]	AB $\varnothing$ H14	AH	AO	AT	AU	SA <sup>1)</sup>			
						2	3	4	5
25	7	29	6.3	4	16	108.3	142.5	176.7	210.9
40	10	38	9		18	122.2	161.5	202.9	245.9
63	14.5	50	8	5	21	135.3	177.7	222.2	268.3
100		74	12.5	6	27	174.9	226.8	281.0	336.8

For $\varnothing$ [mm]	TR	US	XA <sup>1)</sup>			
			2	3	4	5
		-0.5				
25	26	38.5	104.5	138.7	172.9	207.1
40	36	54	122.6	161.9	203.2	246.2
63	50	75	135.6	178.0	222.4	268.5
100	75	110	174.9	226.8	280.9	336.7

For $\varnothing$ [mm]	Basic version				R3 – High corrosion protection			
	CRC <sup>2)</sup>	Weight [g]	Part no.	Type	CRC <sup>2)</sup>	Weight [g]	Part no.	Type
25	1	90	537240	HNA-25	3	90	537255	HNA-25-R3
40	1	157	537242	HNA-40	3	157	537257	HNA-40-R3
63	1	328	537244	HNA-63	3	328	537259	HNA-63-R3
100	1	814	537250	HNA-100	3	814	537261	HNA-100-R3

1) Number of positions

- 2 = + Pos. Z1 + Pos. Z2
- 3 = + Pos. Z1 + Pos. Z2 + Pos. Z3
- 4 = + Pos. Z1 + Pos. Z2 + Pos. Z3 + Pos. Z4
- 5 = + Pos. Z1 + Pos. Z2 + Pos. Z3 + Pos. Z4 + Pos. Z5

2) Corrosion resistance class CRC 1 to Festo standard FN 940070

Low corrosion stress. Dry indoor application or transport and storage protection. Also applies to parts behind covers, in the non-visible interior area, and parts which are covered in the application (e.g. drive trunnions).

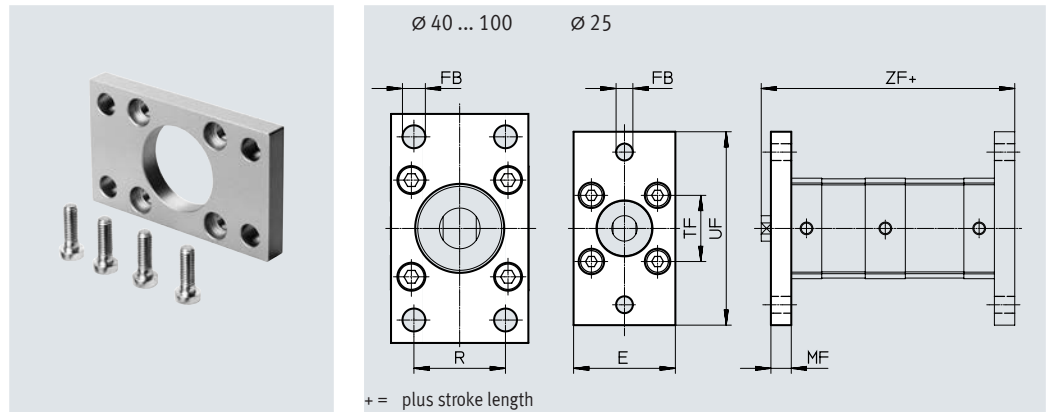
Corrosion resistance class CRC 3 to Festo standard FN 940070

High corrosion stress. Outdoor exposure under moderate corrosive conditions. Externally visible parts with primarily functional surface requirements which are in direct contact with a normal industrial environment.

## Accessories

Flange mounting FNC

Material:  
Galvanised steel  
RoHS-compliant



### Dimensions and ordering data

For $\varnothing$	E	FB $\varnothing$	MF	R	TF	UF
[mm]						
25	40	6.6	8	–	60	76
40	54	9	10	36	72	90
63	75		12	50	100	120
100	110	14	16	75	150	175

For $\varnothing$	ZF <sup>1)</sup>				CRC <sup>2)</sup>	Weight	Part no.	Type
	2	3	4	5				
[mm]						[g]		
25	96.5	130.7	164.9	199.1	1	165	537248	FNC-25
40	114.6	153.9	195.2	238.2	1	291	174377	FNC-40
63	126.6	169.0	213.4	259.5	1	679	174379	FNC-63
100	163.9	215.8	269.9	325.7	1	2041	174381	FNC-100

1) Number of positions

- 2 = + Pos. Z1 + Pos. Z2
- 3 = + Pos. Z1 + Pos. Z2 + Pos. Z3
- 4 = + Pos. Z1 + Pos. Z2 + Pos. Z3 + Pos. Z4
- 5 = + Pos. Z1 + Pos. Z2 + Pos. Z3 + Pos. Z4 + Pos. Z5

2) Corrosion resistance class CRC 1 to Festo standard FN 940070

Low corrosion stress. Dry indoor application or transport and storage protection. Also applies to parts behind covers, in the non-visible interior area, and parts which are covered in the application (e.g. drive trunnions).

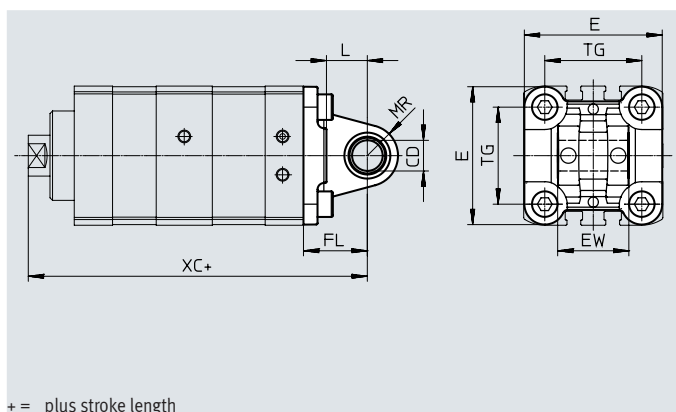
### Note

Screws with a special length are required to mount  $\varnothing$  100 mm.  
 $\varnothing$  100: M10x25

## Accessories

Swivel flange  
SNCL/SNCL...-R3

Material:  
SNCL 25:  
Wrought aluminium alloy  
SNCL 40 ... 63:  
Die-cast aluminium  
SNCL...-R3: Wrought aluminium alloy  
with protective coating  
RoHS-compliant



+ = plus stroke length

### Dimensions and ordering data

For $\varnothing$ [mm]	CD $\varnothing$ H9	E	EW	FL $\pm 0.2$	L	MR	TG	XC <sup>1)</sup>			
								2	3	4	5
25	8	38.5 <sub>-0.6</sub>	16 h12	20	14	8	26	108.5	142.7	176.9	211.1
40	12	54 <sub>-0.5</sub>	28 <sub>-0.2/-0.6</sub>	25	16	12	38	129.6	168.9	210.2	253.2
63	16	75 <sub>-0.6</sub>	40 <sub>-0.2/-0.6</sub>	32	21	16	56.5	146.6	189.0	233.4	279.5
100	20	110 <sub>+0.3/-0.8</sub>	60 <sub>-0.2/-0.6</sub>	41	27	20	89	188.9	240.8	294.9	350.7

For $\varnothing$ [mm]	Basic version				R3 – High corrosion protection			
	CRC <sup>2)</sup>	Weight [g]	Part no.	Type	CRC <sup>2)</sup>	Weight [g]	Part no.	Type
25	2	41	<b>537793</b>	<b>SNCL-25</b>	3	41	<b>537797</b>	<b>SNCL-25-R3</b>
40	1	95	<b>174405</b>	<b>SNCL-40</b>	–	–	–	–
63	1	225	<b>174407</b>	<b>SNCL-63</b>	–	–	–	–
100	1	606	<b>174409</b>	<b>SNCL-100</b>	–	–	–	–

1) Number of positions

- 2 = + Pos. Z1 + Pos. Z2
- 3 = + Pos. Z1 + Pos. Z2 + Pos. Z3
- 4 = + Pos. Z1 + Pos. Z2 + Pos. Z3 + Pos. Z4
- 5 = + Pos. Z1 + Pos. Z2 + Pos. Z3 + Pos. Z4 + Pos. Z5

2) Corrosion resistance class CRC 1 to Festo standard FN 940070

Low corrosion stress. Dry indoor application or transport and storage protection. Also applies to parts behind covers, in the non-visible interior area, and parts which are covered in the application (e.g. drive trunnions).

Corrosion resistance class CRC 2 to Festo standard FN 940070

Moderate corrosion stress. Indoor applications in which condensation can occur. External visible parts with primarily decorative surface requirements which are in direct contact with a normal industrial environment.

Corrosion resistance class CRC 3 to Festo standard FN 940070

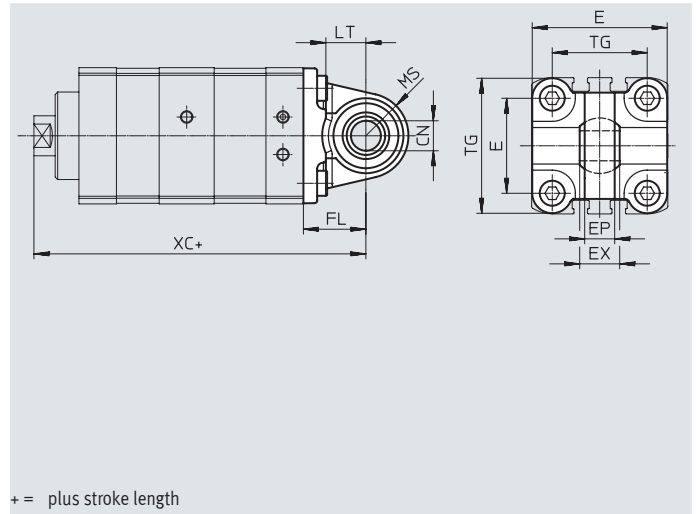
High corrosion stress. Outdoor exposure under moderate corrosive conditions. Externally visible parts with primarily functional surface requirements which are in direct contact with a normal industrial environment.



## Accessories

Swivel flange  
SNCS/CRSNCS/SNCS-...-R3

Material:  
SNCS 40:  
Die-cast aluminium  
SNCS 63 ... 100:  
Wrought aluminium alloy  
CRSNCS 40 ... 63:  
High-alloy stainless steel  
SNCS-...-R3 100:  
Wrought aluminium alloy with  
protective coating  
RoHS-compliant



+ = plus stroke length

### Dimensions and ordering data

For $\varnothing$ [mm]	CN $\varnothing$		E		EP $\pm 0.2$	EX	FL $\pm 0.2$	LT
	ADNM-...	ADNM-...-R3	ADNM-...	ADNM-...-R3				
40	12 <sup>+0.015</sup>	12 <sup>+0.018/-0.04</sup>	54 <sub>-0.5</sub>	54 <sub>-0.5</sub>	12	16	25	16
63	16 <sup>+0.015</sup>	16 <sup>+0.018/-0.04</sup>	74.5 $\pm 0.5$	75 <sub>-0.6</sub>	15	21	32	21
100	20 <sup>+0.018</sup>	20 <sup>+0.021/-0.04</sup>	109 <sup>+1/-0.7</sup>	109 <sup>+1/-0.7</sup>	18	25	41	27

For $\varnothing$ [mm]	MS		TG	XC <sup>1)</sup>			
	ADNM-...	ADNM-...-R3		2	3	4	5
40	17 <sup>+0.5</sup>	17 <sup>+0.5</sup>	38	129.6	168.9	210.2	253.2
63	23 <sub>-0.5</sub>	22 <sup>+0.5</sup>	56.5	146.6	189.0	233.4	279.5
100	30 $\pm 0.5$	30 $\pm 0.5$	89	188.9	240.8	294.9	350.7

For $\varnothing$ [mm]	Basic version				High corrosion protection			
	CRC <sup>2)</sup>	Weight [g]	Part no.	Type	CRC <sup>2)</sup>	Weight [g]	Part no.	Type
40	1	122	<b>174398</b>	<b>SNCS-40</b>	4	239	<b>2895921</b>	<b>CRSNCS-40</b>
63	2	281	<b>174400</b>	<b>SNCS-63</b>	4	576	<b>2895923</b>	<b>CRSNCS-63</b>
100	2	683	<b>174402</b>	<b>SNCS-100</b>	3	684	<b>2895925</b>	<b>SNCS-100-R3</b>

1) Number of positions

- 2 = + Pos. Z1 + Pos. Z2
- 3 = + Pos. Z1 + Pos. Z2 + Pos. Z3
- 4 = + Pos. Z1 + Pos. Z2 + Pos. Z3 + Pos. Z4
- 5 = + Pos. Z1 + Pos. Z2 + Pos. Z3 + Pos. Z4 + Pos. Z5

2) Corrosion resistance class CRC 1 to Festo standard FN 940070

Low corrosion stress. Dry indoor application or transport and storage protection. Also applies to parts behind covers, in the non-visible interior area, and parts which are covered in the application (e.g. drive trunnions).

Corrosion resistance class CRC 2 to Festo standard FN 940070

Moderate corrosion stress. Indoor applications in which condensation can occur. External visible parts with primarily decorative surface requirements which are in direct contact with a normal industrial environment.

Corrosion resistance class CRC 3 to Festo standard FN 940070

High corrosion stress. Outdoor exposure under moderate corrosive conditions. Externally visible parts with primarily functional surface requirements which are in direct contact with a normal industrial environment.

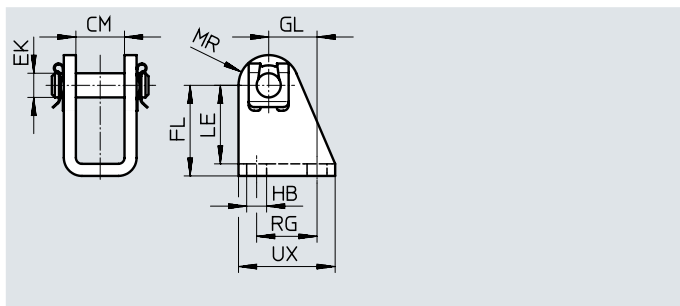
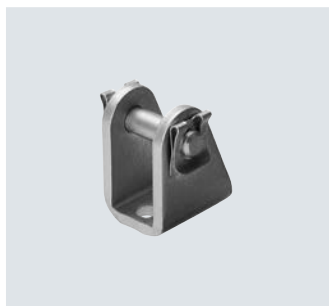
Corrosion resistance class CRC 4 to Festo standard FN 940070

Particularly high corrosion stress. Outdoor exposure under extreme corrosive conditions. Parts exposed to aggressive media, e.g. in the chemical or food industries. Such applications may need to be safeguarded by means of special testing (→ also FN 940082), using appropriate media.

## Accessories

### Clevis foot LBN

Material:  
Galvanised steel  
RoHS-compliant



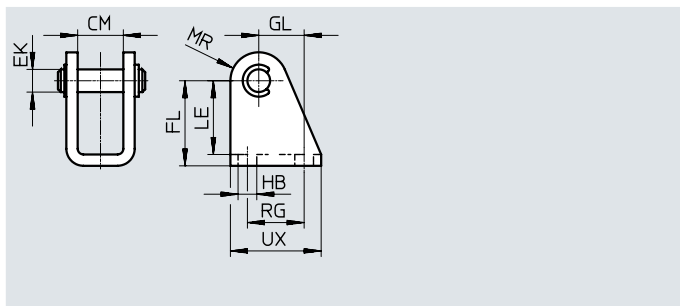
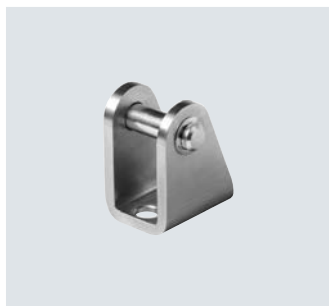
#### Dimensions and ordering data

For $\varnothing$	CM	EK $\varnothing$	FL	GL	HB $\varnothing$	LE	MR	RG	UX	CRC <sup>1)</sup>	Weight [g]	Part no.	Type
25	16.1	8	30 +0.4/-0.2	16	6.6	26	10	20	32	1	84	<b>6059</b>	<b>LBN-20/25</b>

1) Corrosion resistance class CRC 1 to Festo standard FN 940070  
Low corrosion stress. Dry indoor application or transport and storage protection. Also applies to parts behind covers, in the non-visible interior area, and parts which are covered in the application (e.g. drive trunnions).

### Clevis foot CRLBN, stainless steel

Material:  
High-alloy steel  
RoHS-compliant



#### Dimensions and ordering data

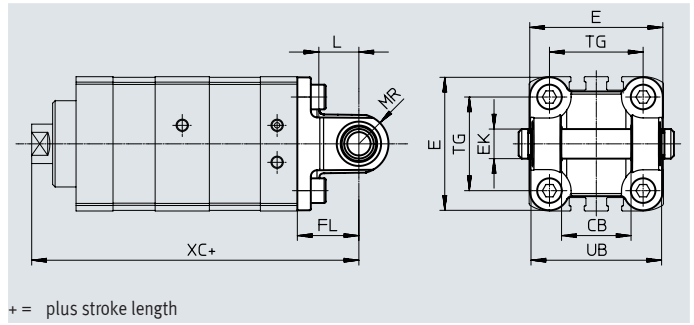
For $\varnothing$	CM	EK $\varnothing$	FL	GL	HB $\varnothing$	LE	MR	RG	UX	CRC <sup>1)</sup>	Weight [g]	Part no.	Type
25	16.1	8	30 +0.4/-0.2	16	6.6	26	10	20	32	4	82	<b>161863</b>	<b>CRLBN-20/25</b>

1) Corrosion resistance class CRC 4 to Festo standard FN 940070  
Particularly high corrosion stress. Outdoor exposure under extreme corrosive conditions. Parts exposed to aggressive media, e.g. in the chemical or food industries. Such applications may need to be safeguarded by means of special testing (→ also FN 940082), using appropriate media.

## Accessories

Swivel flange  
SNCB/SNCB-...-R3

Material:  
SNCB: Die-cast aluminium  
SNCB-...-R3: Die-cast aluminium with  
protective coating  
RoHS-compliant



+ = plus stroke length

### Dimensions and ordering data

For $\varnothing$ [mm]	CB	E	EK $\varnothing$ H9/e8	FL $\pm 0.2$	L	MR -0.5	TG	UB h14	XC <sup>1)</sup>			
									2	3	4	5
40	28	54	12	25	16	12	38	52	129.6	168.9	210.2	253.2
63	40	75	16	32	21	16	56.5	70	146.6	189.0	233.4	279.5
100	60	110	20	41	27	20	89	110	188.9	240.8	294.9	350.7

For $\varnothing$ [mm]	Basic version				R3 – High corrosion protection			
	CRC <sup>2)</sup>	Weight [g]	Part no.	Type	CRC <sup>2)</sup>	Weight [g]	Part no.	Type
40	1	155	174391	SNCB-40	3	151	176945	SNCB-40-R3
63	1	375	174393	SNCB-63	3	371	176947	SNCB-63-R3
100	1	1035	174395	SNCB-100	3	986	176949	SNCB-100-R3

1) Number of positions

- 2 = + Pos. Z1 + Pos. Z2
- 3 = + Pos. Z1 + Pos. Z2 + Pos. Z3
- 4 = + Pos. Z1 + Pos. Z2 + Pos. Z3 + Pos. Z4
- 5 = + Pos. Z1 + Pos. Z2 + Pos. Z3 + Pos. Z4 + Pos. Z5

2) Corrosion resistance class CRC 1 to Festo standard FN 940070

Low corrosion stress. Dry indoor application or transport and storage protection. Also applies to parts behind covers, in the non-visible interior area, and parts which are covered in the application (e.g. drive trunnions).

Corrosion resistance class CRC 3 to Festo standard FN 940070

High corrosion stress. Outdoor exposure under moderate corrosive conditions. Externally visible parts with primarily functional surface requirements which are in direct contact with a normal industrial environment.

## Accessories

### Trunnion flange ZNCF/CRZNG

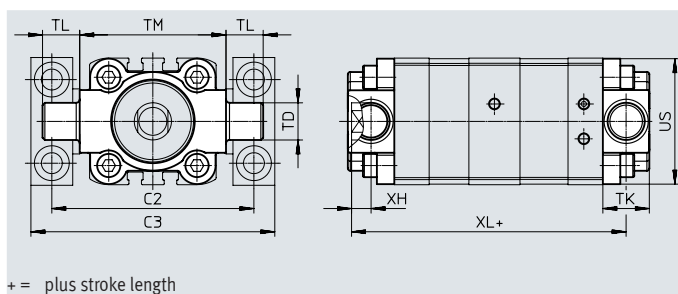
Material:

ZNCF: Stainless steel casting

CRZNG: Electropolished stainless steel

casting

RoHS-compliant



#### Dimensions and ordering data

For $\varnothing$ [mm]	C2	C3	TD $\varnothing$ e9	TK max.	TL	TM	US	XH	XL <sup>1)</sup>			
									2	3	4	5
40	87	105	16	20	16 h14	63	54	8.4±1	114.6	153.9	195.2	238.2
63	116	136	20	24	20 h14	90	75	9.3±1.2	126.6	169.0	213.4	259.5
100	164	189	25	38	24.5 +0.5/-0.7	132	110	8±1.2	166.9	218.8	272.9	328.7

For $\varnothing$ [mm]	Basic version				R3 – High corrosion protection			
	CRC <sup>2)</sup>	Weight [g]	Part no.	Type	CRC <sup>2)</sup>	Weight [g]	Part no.	Type
40	2	285	<b>174412</b>	<b>ZNCF-40</b>	4	285	<b>161853</b>	<b>CRZNG-40</b>
63	2	687	<b>174414</b>	<b>ZNCF-63</b>	4	687	<b>161855</b>	<b>CRZNG-63</b>
100	2	2254	<b>174416</b>	<b>ZNCF-100</b>	4	2254	<b>161857</b>	<b>CRZNG-100</b>

1) Number of positions

- 2 = + Pos. Z1 + Pos. Z2
- 3 = + Pos. Z1 + Pos. Z2 + Pos. Z3
- 4 = + Pos. Z1 + Pos. Z2 + Pos. Z3 + Pos. Z4
- 5 = + Pos. Z1 + Pos. Z2 + Pos. Z3 + Pos. Z4 + Pos. Z5

2) Corrosion resistance class CRC 2 to Festo standard FN 940070

Moderate corrosion stress. Indoor applications in which condensation can occur. External visible parts with primarily decorative surface requirements which are in direct contact with a normal industrial environment.

Corrosion resistance class CRC 4 to Festo standard FN 940070

Particularly high corrosion stress. Outdoor exposure under extreme corrosive conditions. Parts exposed to aggressive media, e.g. in the chemical or food industries. Such applications may need to be safeguarded by means of special testing (→ also FN 940082), using appropriate media.

### Trunnion support LNZG

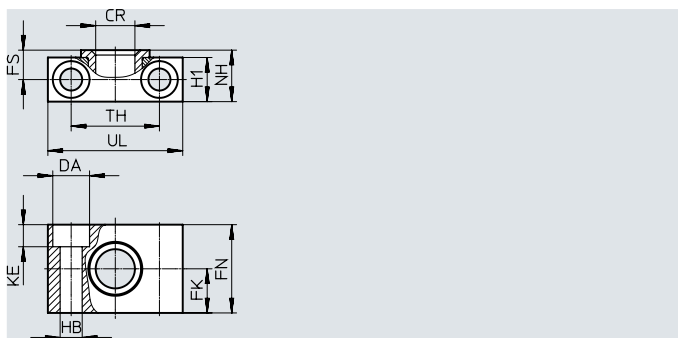
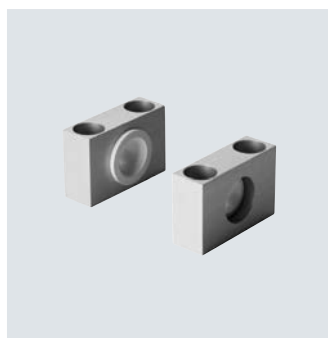
Material:

Trunnion support: Anodised

aluminium

Plain bearing: Polymer

RoHS-compliant



#### Dimensions and ordering data


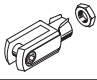

For $\varnothing$ [mm]	CR $\varnothing$ D11	DA $\varnothing$ H13	FK $\varnothing$ ±0.1	FN	FS	H1	HB $\varnothing$ H13	KE	NH	TH ±0.2	UL	CRC <sup>1)</sup>	Weight [g]	Part no.	Type
40	16	15	18	36	12	18	9	9	21	36	55	2	129	<b>32960</b>	<b>LNZG-40/50</b>
63	20	18	20	40	13	20	11	11	23	42	65	2	178	<b>32961</b>	<b>LNZG-63/80</b>
100	25	20	25	50	16	24.5	14	13	28.5	50	75	2	306	<b>32962</b>	<b>LNZG-100/125</b>

1) Corrosion resistance class CRC 2 to Festo standard FN 940070

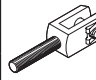
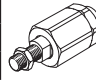
Moderate corrosion stress. Indoor applications in which condensation can occur. External visible parts with primarily decorative surface requirements which are in direct contact with a normal industrial environment.

## Accessories


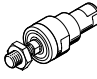
## Ordering data – Piston rod attachments

Designation	For ø	Part no.	Type
<b>Rod eye SGS</b>			
	25	9255	SGS-M8
	40	9262	SGS-M12x1.25
	63	9263	SGS-M16x1.5
	100	9264	SGS-M20x1.5
<b>Rod clevis SG</b>			
	25	3111	SG-M8
	40	6145	SG-M12x1.25
	63	6146	SG-M16x1.5
	100	6147	SG-M20x1.5
<b>Coupling piece KSG</b>			
	25	–	
	40	32964	KSG-M12x1.25
	63	32965	KSG-M16x1.5
	100	32966	KSG-M20x1.5

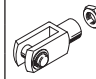
Data sheets → Internet: piston rod attachment


Designation	For ø	Part no.	Type
<b>Rod clevis SGA for rod eye SGS</b>			
	25	–	
	40	10767	SGA-M12x1.25
	63	10768	SGA-M16x1.5
	100	10769	SGA-M20x1.5
<b>Self-aligning rod coupler FK</b>			
	25	2062	FK-M8
	40	6141	FK-M12x1.25
	63	6142	FK-M16x1.5
	100	6143	FK-M20x1.5

## Ordering data – Piston rod attachments, corrosion-resistant

Designation	For ø	Part no.	Type
<b>Rod eye CRSGS</b>			
	25	195581	CRSGS-M8
	40	195583	CRSGS-M12x1.25
	63	195584	CRSGS-M16x1.5
	100	195585	CRSGS-M20x1.5
<b>Self-aligning rod coupler CRFK</b>			
	40	2305779	CRFK-M12x1.25
	63	2490673	CRFK-M16x1.5
	100	2545677	CRFK-M20x1.5


Data sheets → Internet: piston rod attachment

Designation	For ø	Part no.	Type
<b>Rod clevis CRSG</b>			
	25	13568	CRSG-M8
	40	13570	CRSG-M12x1.25
	63	13571	CRSG-M16x1.5
	100	13572	CRSG-M20x1.5

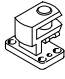
-  - Note

Piston rod attachments for cylinders with special piston rod thread (variant K5) → [www.festo.com](http://www.festo.com)


## Ordering data – Mounting components

Designation	For ø	Part no.	Type
<b>Clevis foot LBG for rod eye SGS</b>			
	25	–	
	40	31762	LBG-40
	63	31764	LBG-63
	100	31766	LBG-100

Data sheets → Internet: clevis foot


Designation	For ø	Part no.	Type
<b>Right-angle clevis foot LQG for rod eye SGS</b>			
	25	–	
	40	31769	LQG-40
	63	31771	LQG-63
	100	31773	LQG-100

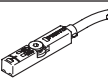
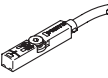
## Ordering data – Mounting components, high corrosion protection

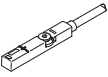
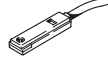
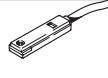
Designation	For ø	Part no.	Type
<b>Clevis foot LBG-R3 for rod eye SGS</b>			
	40	2078792	LBG-40-R3
	63	2078795	LBG-63-R3
	100	2078799	LBG-100-R3

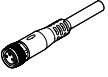
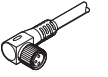
Data sheets → Internet: clevis foot

## Accessories


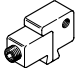
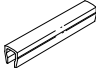
Ordering data – One-way flow control valves				Data sheets → Internet: grla	
	Connection		Material	Part no.	Type
	For Ø	For tubing O.D.			
<b>For exhaust air</b>					
	25, 40	3	Metal design	193137	GRLA-M5-QS-3-D
		4		193138	GRLA-M5-QS-4-D
	63, 100	4		193143	GRLA-1/8-QS-4-D
		6		193144	GRLA-1/8-QS-6-D
		8		193145	GRLA-1/8-QS-8-D

Ordering data – Proximity switch for T-slot, magneto-resistive						Data sheets → Internet: smt
	Type of mounting	Switching output	Electrical connection	Cable length [m]	Part no.	Type
<b>N/O contact</b>						
	Inserted in the slot from above, flush with the cylinder profile, short design	PNP	Cable, 3-wire	2.5	574335	SMT-8M-A-PS-24V-E-2.5-OE
			Plug M8x1, 3-pin	0.3	574334	SMT-8M-A-PS-24V-E-0.3-M8D
			Plug M12x1, 3-pin	0.3	574337	SMT-8M-A-PS-24V-E-0.3-M12
		NPN	Cable, 3-wire	2.5	574338	SMT-8M-A-NS-24V-E-2.5-OE
			Plug M8x1, 3-pin	0.3	574339	SMT-8M-A-NS-24V-E-0.3-M8D
<b>N/C contact</b>						
	Inserted in the slot from above, flush with the cylinder profile, short design	PNP	Cable, 3-wire	7.5	574340	SMT-8M-A-PO-24V-E-7.5-OE

Ordering data – Proximity switch for T-slot, magnetic reed						Data sheets → Internet: sme
	Type of mounting	Switching output	Electrical connection	Cable length [m]	Part no.	Type
<b>N/O contact</b>						
	Inserted in the slot from above, flush with the cylinder profile	Contacting	Cable, 3-wire	2.5	543862	SME-8M-DS-24V-K-2.5-OE
			5.0	543863	SME-8M-DS-24V-K-5.0-OE	
			Cable, 2-wire	2.5	543872	SME-8M-ZS-24V-K-2.5-OE
			Plug M8x1, 3-pin	0.3	543861	SME-8M-DS-24V-K-0.3-M8D
	Inserted in the slot lengthwise, flush with the cylinder profile	Contacting	Cable, 3-wire	2.5	150855	SME-8-K-LED-24
			Plug M8x1, 3-pin	0.3	150857	SME-8-S-LED-24
<b>N/C contact</b>						
	Inserted in the slot lengthwise, flush with the cylinder profile	Contacting	Cable, 3-wire	7.5	160251	SME-8-O-K-LED-24

Ordering data – Connecting cables					Data sheets → Internet: nebu
	Electrical connection, left	Electrical connection, right	Cable length [m]	Part no.	Type
	Straight socket, M8x1, 3-pin	Cable, open end, 3-wire	2.5	541333	NEBU-M8G3-K-2.5-LE3
			5	541334	NEBU-M8G3-K-5-LE3
	Straight socket, M12x1, 5-pin	Cable, open end, 3-wire	2.5	541363	NEBU-M12G5-K-2.5-LE3
			5	541364	NEBU-M12G5-K-5-LE3
	Angled socket, M8x1, 3-pin	Cable, open end, 3-wire	2.5	541338	NEBU-M8W3-K-2.5-LE3
			5	541341	NEBU-M8W3-K-5-LE3
	Angled socket, M12x1, 5-pin	Cable, open end, 3-wire	2.5	541367	NEBU-M12W5-K-2.5-LE3
			5	541370	NEBU-M12W5-K-5-LE3

## Accessories

Ordering data – Proximity switch, cuboid shape, pneumatic			Data sheets → Internet: smpo	
	Pneumatic connection		Part no.	Type
<b>3/2-way valve, normally closed</b>				
	Female thread M5		178563	SMPO-8E
Ordering data – Mounting kit for proximity switch SMPO-8E			Data sheets → Internet: smb	
	Mounting		Part no.	Type
	Clamped in T-slot		178230	SMB-8E
Ordering data – Slot cover for T-slot				
	Mounting	Length	Part no.	Type
	Insertable	2x 0.5 m	151680	ABP-5-S

# Festo - Your Partner in Automation



**1 Festo Inc.**  
5300 Explorer Drive  
Mississauga, ON L4W 5G4  
Canada

**Festo Customer Interaction Center**  
Tel: 1 877 463 3786  
Fax: 1 877 393 3786  
Email: [customer.service.ca@festo.com](mailto:customer.service.ca@festo.com)



**2 Festo Pneumatic**  
Av. Ceylán 3,  
Col. Tequesquináhuac  
54020 Tlalnepantla,  
Estado de México

**Multinational Contact Center**  
01 800 337 8669  
[ventas.mexico@festo.com](mailto:ventas.mexico@festo.com)



**3 Festo Corporation**  
1377 Motor Parkway  
Suite 310  
Islandia, NY 11749

**Festo Customer Interaction Center**  
1 800 993 3786  
1 800 963 3786  
[customer.service.us@festo.com](mailto:customer.service.us@festo.com)



**4 Regional Service Center**  
7777 Columbia Road  
Mason, OH 45040

Connect with us



[www.festo.com/socialmedia](http://www.festo.com/socialmedia)



[www.festo.com](http://www.festo.com)

Subject to change