

## Vacuum gauge VAM, FVAM

**FESTO**



## Characteristics

### At a glance

Vacuum gauge for front panel or in-line installation.

- Designs based on DIN EN 837-1, optionally with red/green range
- Double or single scale

### Additional display

[RG] Red/green scale

The adjustable red/green range provides additional safety during vacuum monitoring.

## Type code

001	Series
VAM	Vacuum gauge VAM
FVAM	Vacuum gauge FVAM

002	Size
40	Diameter 40 mm
63	Diameter 63 mm

003	Indicating range [bar]
V1/0	-1...0
V1/9	-1...9

004	Pneumatic connection
G18	G1/8
G14	G1/4
R18	R1/8
R14	R1/4

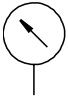
005	Pressure gauge type
E	Round pressure gauge according to standard
EN	Round pressure gauge according to standard

006	Additional display
	None
RG	Red/green scale

## Datasheet

### General technical data



Short type code	FVAM		VAM	
Nominal size of pressure gauge	40	63	40	63
Pneumatic connection	G1/8	G1/4	R1/8	R1/4
Indicating range	-1 ... 0 bar			-1 ... 9 bar
Indicating range	-30 ... 0 inchHg			
Scale	Double scale Bar (outside scale) inch hg (inner)/psi (inner)		Double scale Single scale Bar (outside scale) inch hg (inner)/psi (inner)	
Type of mounting	Front panel mounting		Screw-in	Front panel mounting, Screw-in
Position of connection	Centred, rear side			
Based on standard	DIN EN 837-1			
Type of seal on screwed plug	Coating			
Mounting position	optional			
Design	Bourdon tube pressure gauge			
Measurement accuracy class	2.5			

### Operating and environmental conditions

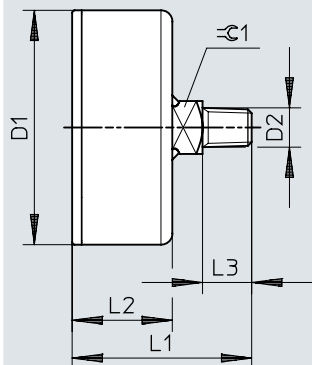
Operating medium	Compressed air to ISO 8573-1:2010 [7:4:4]
Note on operating and pilot medium	Lubricated operation possible (in which case lubricated operation will always be required)
Media temperature	-20 ... 60°C
Ambient temperature	-10 ... 60°C
Continuous load factor	0.75
Alternating load factor	0.66
Corrosion resistance class CRC	0 - No corrosion stress

### Materials

Short type code	FVAM		VAM	
Material housing	ABS			
Material screwed plug	Brass			
Material screen	PMMA		PS	
Note on materials	RoHS-compliant			
LABS (PWIS) conformity	VDMA24364-B1/B2-L			

## Dimensions

Dimensions – Vacuum gauge VAM, EN 837-1

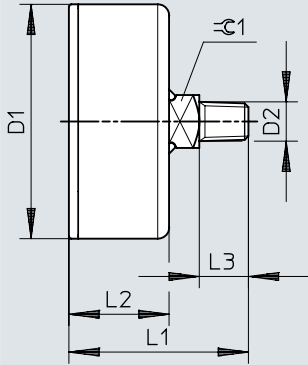
Download CAD data → [www.festo.com](http://www.festo.com)

	D1 ∅	D2	L1	L2	L3
VAM-40-V1/0-R1/8-EN	39 ±0,5	R1/8	46 ±1	26 ±0,5	12
VAM-63-V1/0-R1/4-EN	62 ±0,5	R1/4	50 ±1	29 ±0,5	13
VAM-63-V1/9-R1/4-EN	62 ±0,5	R1/4	47,5 ±1	26,5 ±0,5	13

## Dimensions

Dimensions – Vacuum gauge VAM, EN 837-1 with red/green range

Download CAD data → [www.festo.com](http://www.festo.com)

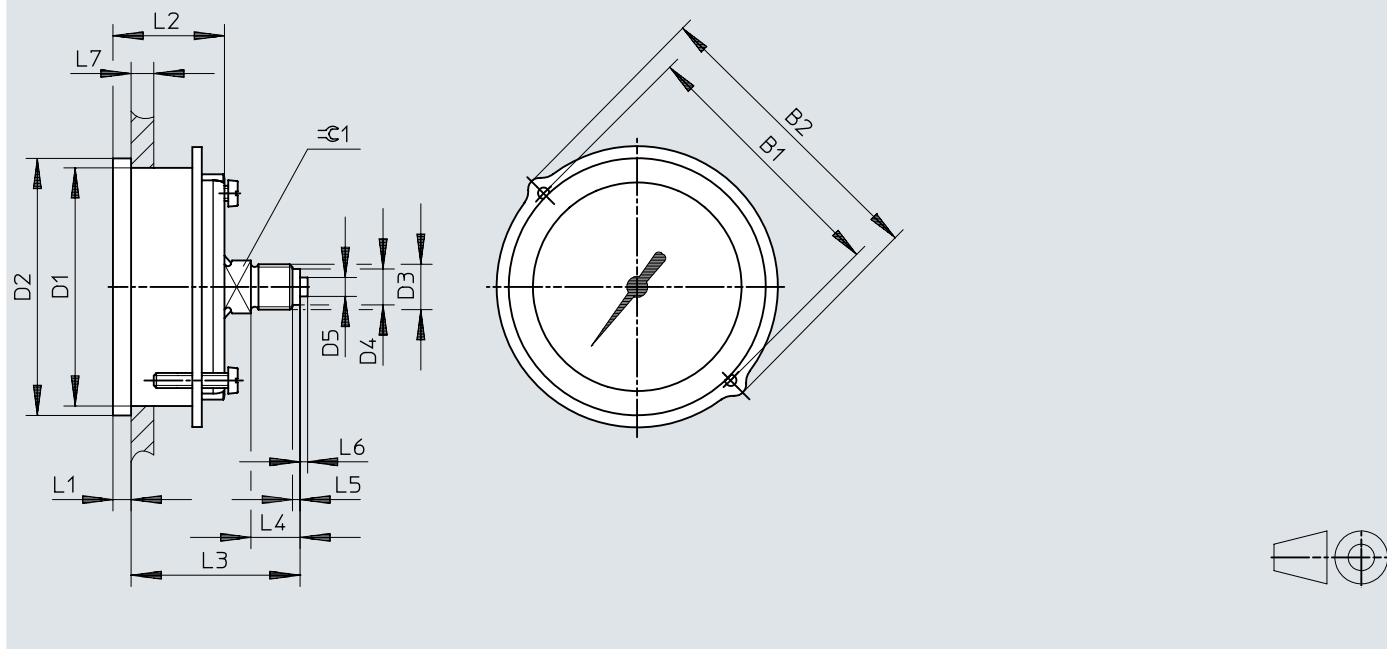


	D1 ∅	D2	L1	L2	L3
VAM-40-V1/0-R1/8-E-RG	39 ±0,5	R1/8	48,5 ±1	28,5 ±0,5	12
VAM-63-V1/0-R1/4-E-RG	62 ±0,5	R1/4	53 ±1	32 ±0,5	13

## Dimensions

Dimensions – FVAM-...-EN


Download CAD data → [www.festo.com](http://www.festo.com)




	B1	B2	D1 ∅	D2 ∅	D3	D4 ∅	D5 ∅	L1	L2	L3	L4	L5	L6
FVAM-40-V1/0-G1/8-EN	48	56	40	45	G1/8	8	–	4,5	26,5	40	10	2	–
FVAM-63-V1/0-G1/4-EN	70	79	63	68	G1/4	9,5	5	4,8	29,5	42,5	13	2	2

Accessories


Ordering data – VAM

	Pneumatic connection	Indicating range	Indicating range	Product weight	Part no.	Type
	R1/8	-1 ... 0 bar	-30 ... 0 inHg	63 g	537810	VAM-40-V1/0-R1/8-EN
	R1/4			83 g	537811	VAM-63-V1/0-R1/4-EN
			-1 ... 9 bar			537814

Ordering data – VAM (red/green)

	Pneumatic connection	Indicating range	Product weight	Part no.	Type
	R1/8	-1 ... 0 bar	65 g	547842	VAM-40-V1/0-R1/8-E-RG
	R1/4		90 g	547843	VAM-63-V1/0-R1/4-E-RG

Ordering data – FVAM

	Pneumatic connection	Indicating range	Indicating range	Product weight	Part no.	Type
	G1/8	-1 ... 0 bar	-30 ... 0 inHg	81 g	537812	FVAM-40-V1/0-G1/8-EN
	G1/4			121 g	537813	FVAM-63-V1/0-G1/4-EN