

Sealing material

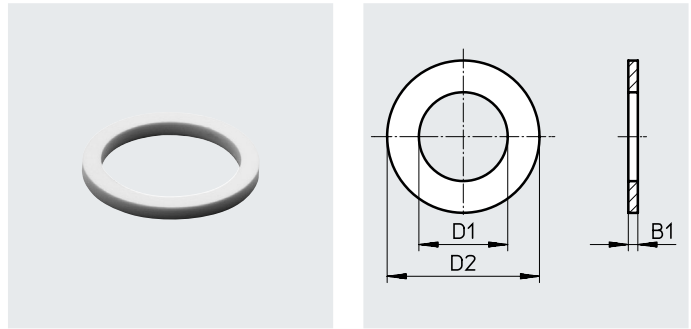
FESTO



Sealing ring O

Datasheet

Sealing ring O



Materials								
Pneumatic connection	M3	M5	G1/8	G1/4	G3/8	G1/2	G3/4	G1
Seals	PA	PVC						
Note on materials	RoHS-compliant							

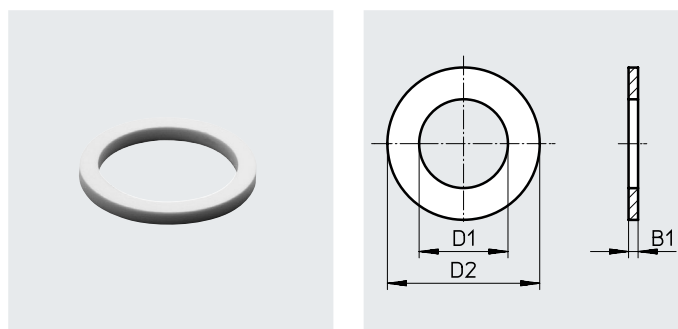
Dimensions and ordering data									
For thread	Nominal tightening torque [Nm]	D1	D2	B1	LABS (PWIS) conformity	Weight/ piece [g]	Part no.	Type	PU ¹⁾
M3	–	2.8	4.8	0.3	VDMA24364-B1/B2-L	0.12	30290	O-M3-B	1
M5	1.78 ±20%	5.1	8	1	VDMA24364-B1/B2-L	0.05	3565	O-M5	1
					VDMA24364-B2-L	–	534226	O-M5-500	500
G1/8	10.55 ±20%	10	13	1.5	VDMA24364-B1/B2-L	0.12	2223	O-1/8	1
					VDMA24364-B2-L	–	534227	O-1/8-500	500
G1/4	9.05 ±20%	13.2	18	2	VDMA24364-B1/B2-L	0.31	2224	O-1/4	1
					VDMA24364-B2-L	–	534228	O-1/4-200	200
G3/8	38.5 ±20%	16.8	22	2	VDMA24364-B1/B2-L	0.4	2225	O-3/8	1
					VDMA24364-B2-L	–	534229	O-3/8-200	200
G1/2	47.9 ±20%	21	28	2	VDMA24364-B1/B2-L	0.72	2226	O-1/2	1
					VDMA24364-B2-L	–	534230	O-1/2-100	100
G3/4	45 ±20%	26.5	33	2	VDMA24364-B1/B2-L	0.83	2227	O-3/4	1
G1	–	33.3	38.9	2	VDMA24364-B1/B2-L	0.8	210893	O-1	1

1) Packaging unit

Datasheet

Sealing ring CRO

Sealing ring CRO for use in the chemical or food industries



General technical data

Mounting position	Any
-------------------	-----

Operating and environmental conditions

Operating medium	Compressed air to ISO 8573-1:2010 [7:-:-]
Note on the operating/pilot medium	Lubricated operation possible
Food-safe ¹⁾	See supplementary material information

1) More information: www.festo.com/catalogue/cro → Support/Downloads.

Materials

Seals	PVDF
Note on materials	RoHS-compliant
LABS (PWIS) conformity	VDMA24364-B1/B2-L

Dimensions and ordering data



Pneumatic connection	D1	D2	B1	Weight/piece [g]	Part no.	Type	PU ¹⁾
M5	5.1	8	1	0.05	165191	CRO-M5	1
G1/8	10	13	2	0.19	575895	CRO-1/8	1
G1/4	13.2	18	2	0.42	165193	CRO-1/4	1
G3/8	16.8	22	2	0.56	165194	CRO-3/8	1
G1/2	21	28	2	0.96	165195	CRO-1/2	1
G3/4	26.5	33	2	1.08	165196	CRO-3/4	1
G1	33.3	38.9	2	1.13	165197	CRO-1	1

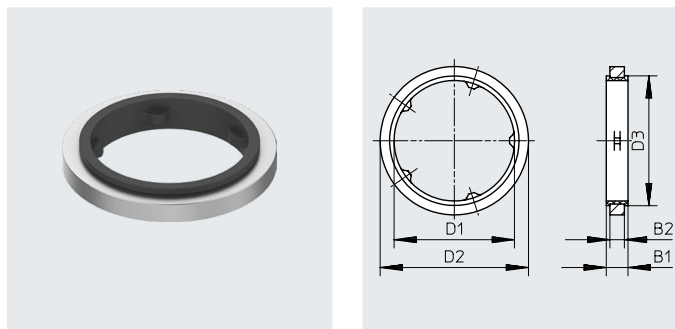
1) Packaging unit

Sealing ring OL

Datasheet

Sealing ring OL With metal housing

-  Temperature range
-40 ... +100 °C
-  Pressure -0.095 ... +3 MPa



- Based on ISO 16030
- Creates a seal when hand-tightened at room temperature
- Captive design
- Re-usable
- Compatible with the existing sealing rings O and OK

Operating and environmental conditions

Operating pressure for entire temperature range	[MPa]	-0.095 ... +3
	[bar]	-0.95 ... +30
	[psi]	-13.775 ... +435
Based on standard		ISO 16030
Hand-tightened at RT		Yes
Ambient temperature	[°C]	-40 ... +100
Suitable for the production of lithium-ion batteries		Metals with more than 1% by mass of copper, zinc or nickel are excluded from use. Exceptions are nickel in steel, chemically nickel-plated surfaces, printed circuit boards, cables, electrical plug connectors and coils
Cleanroom class		Element installed statically, no meaningful evaluation possible according to ISO 14644-1
Corrosion resistance class CRC ¹⁾		2 - Moderate corrosion stress

1) More information www.festo.com/x/topic/crc

Materials

Stop ring	Aluminium
Seal	HNBR
Note on materials	RoHS-compliant
LABS (PWIS) conformity	VDMA24364-B2-L

Dimensions and ordering data

Pneumatic connection	Nominal tightening torque [Nm]	D1	D2	D3	B1	B2	Weight/ piece [g]	Part no.	Type	PU ¹⁾
M5	2.5 ±20%	5.4	7.7 ±0.1	6.8	1.5	0.8	0.06	34634	OL-M5	1
								534231	OL-M5-500	500
M6	2.5 ±20%	6.4	8.3 ±0.1	7.4	1.5	0.8	0.05	161180	OL-M6	1
M7	3 ±20%	7.4	10.1 ±0.1	8.5	1.7	1	0.1	8153155	OL-M7	1
G1/8	6 ±20%	10.2	13 ±0.1	11.6	1.7	1	0.14	33840	OL-1/8	1
								534232	OL-1/8-500	500
G1/4	10 ±20%	13.7	17 ±0.1	15.1	2.2	1.5	0.32	34635	OL-1/4	1
								534233	OL-1/4-200	200
G3/8	13 ±20%	17.3	21 ±0.1	18.8	2.7	2	0.57	34636	OL-3/8	1
								534234	OL-3/8-200	200
G1/2	23 ±20%	21.6	25.2 ±0.1	23.2	2.7	2	0.68	34637	OL-1/2	1
								534235	OL-1/2-100	100
G3/4	23 ±20%	27	31.1 ±0.1	29	2.7	2	0.95	34638	OL-3/4	1
G1	23 ±20%	33.8	37.6 ±0.1	35.6	2.7	2	1.09	8153156	OL-1	1


1) Packaging unit


Datasheet

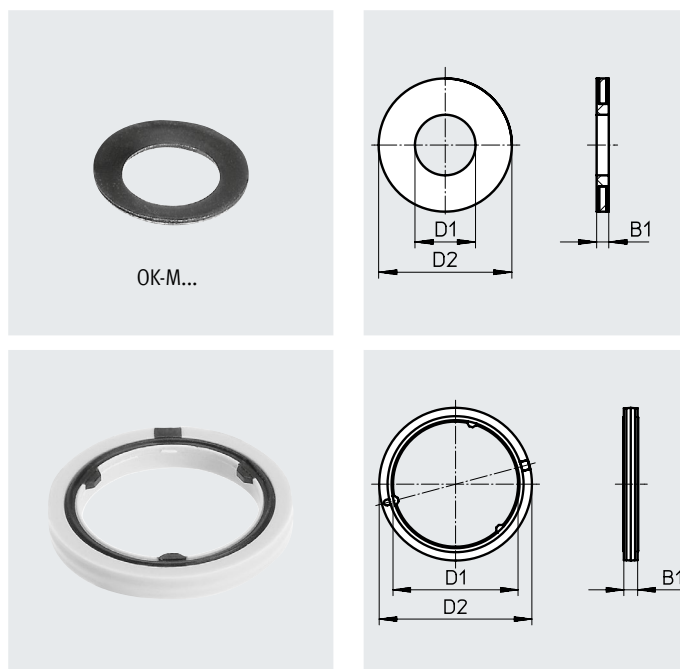
Sealing ring OK

With support ring

- Based on ISO 16030
- Creates a seal when hand-tightened at room temperature and also when tightened using appropriate tools
- Captive design
- Compatible with the existing sealing rings O and OL

—  — Temperature range
–10 ... +60 °C

—  — Pressure –0.095 ... +1 MPa



Operating and environmental conditions		
Operating pressure for entire temperature range	[MPa]	–0.095 ... +1
	[bar]	–0.95 ... +10
	[psi]	–13.775 ... +145
Operating medium	Compressed air to ISO 8573-1:2010 [7:4:4]	
Note on the operating/pilot medium	Lubricated operation possible (in which case lubricated operation will always be required)	
Based on standard	ISO 16030	
Hand-tightened at RT	Yes	
Ambient temperature	[°C]	–10 ... +60
Corrosion resistance class CRC ¹⁾	2 - Moderate corrosion stress	

1) More information www.festo.com/x/topic/crc

Materials	M thread	G thread
Pneumatic connection		
Stops	High-alloy stainless steel	Reinforced PA
Seal	NBR	TPE-U(PU)
Note on materials	RoHS-compliant	
LABS (PWIS) conformity	VDMA24364-B2-L	

Dimensions and ordering data								
Pneumatic connection	Nominal tightening torque [Nm]	D1	D2	B1	Weight [g]	Part no.	Type	PU ¹⁾
Stainless steel, nitrile rubber								
M3	0.48 ±55%	2.5	5.0	0.5	0.1	130849	OK-M3	1
M5	1.33 ±20%	4.3	7.8	0.5	0.1	130850	OK-M5	1
M7	3.35 ±20%	6.4	9.8	0.5	0.1	130851	OK-M7	1
Polyamide, thermoplastic polyurethane								
G1/8	3.5 ±20%	9.9	13.2	1.60	0.12	531771	OK-1/8	1
G1/4	11 ±10%	13.3	18.3	2.20	0.32	531772	OK-1/4	1
G3/8	12.5 ±20%	16.8	22.3	2.20	0.44	531773	OK-3/8	1
G1/2	14 ±20%	21.2	26.7	2.35	0.6	531774	OK-1/2	1
G3/4	35 ±10%	26.7	32.6	2.95	1	531775	OK-3/4	1

1) Packaging unit

Sealing ring assortment

Datasheet

Sealing ring assortment OL-S1

This box of polymer sealing rings contains sealing rings OL ranging in size from M5 to G3/4, ensuring the right sealing ring is available.



Materials

Note on materials	RoHS-compliant
LABS (PWIS) conformity	VDMA24364-B1/B2-L

Ordering data

Table of contents	Pack size	Nominal tightening torque [Nm]	Corrosion resistance class CRC ¹⁾	Part no.	Type
OL-M5	50	2.5 ±20%	1 - Low corrosion stress	161355	OL-S1
OL-1/8	100	6 ±20%			
OL-1/4	100	10 ±20%			
OL-3/8	40	13 ±20%			
OL-1/2	30	23 ±20%			
OL-3/4	10	23 ±20%			

1) More information www.festo.com/x/topic/crc

Sealing ring assortment OK-S1

This sealing ring assortment contains sealing rings OK ranging in size from M3 to G3/4, ensuring the right sealing ring is available.



Materials

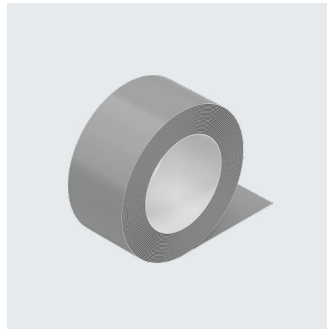
Note on materials	RoHS-compliant
LABS (PWIS) conformity	VDMA24364-B1/B2-L

Ordering data

Table of contents	Pack size	Nominal tightening torque [Nm]	Weight [g]	Part no.	Type
OK-M3	50	0.48 ±55%	0.1	570465	OK-S1
OK-M5	100	1.33 ±20%	0.1		
OK-M7	50	3.35 ±20%	0.1		
OK-1/8	100	3.5 ±20%	0.12		
OK-1/4	100	11 ±10%	0.32		
OK-3/8	40	12.5 ±20%	0.44		
OK-1/2	30	14 ±20%	0.6		
OK-3/4	10	35 ±10%	1		

Datasheet

Thread sealing tape GWB-0.1



Ordering data					
Width [mm]	Length [m]	Note on materials	LABS (PWIS) conformity	Part no.	Type
12	12	RoHS-compliant	VDMA24364-B1/B2-L	9076	GWB-0.1