

Plastic tubing PAN-MF

FESTO



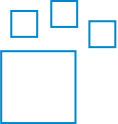
Characteristics

At a glance

Ideal for use in mobile pneumatics and meets standard DIN 73378

- Polyamide
- High thermal and mechanical load capacities
- Meets the requirements to DIN 73378 “Polyamide tubing for use in motor vehicles”
- Operating media: compressed air, mineral oil

Ordering data - modular system



Configurable product

This product and all its product options can be ordered online via the configurator.

Diagrams

Further information → [pan-mf](#)



The diagrams shown in this document are also available online. These can be used to display precise values.

Alternative material characteristic

[MF] Automotive approval certificate (DIN 73378)

For applications with an extended temperature range as well as a high pressure range.

Pipe/tubing O.D. x wall thickness

For standard O.D. tubing, the outside diameter of the tube and the wall thickness are given as the tube size.

Packaging unit [m]

- Standard: 50 m
- In some cases, available in longer lengths on a reel.

Type code

001	Series
PAN	Standard O.D. tubing

002	Alternative material characteristic
MF	Automotive approval certificate (DIN 73378)

003	Pipe/tubing O.D. x wall thickness
4x0,75	4x0.75 mm
6x1	6x1 mm
8x1	8x1 mm
10x1,25	10x1.25 mm
12x1,5	12x1.5 mm
14x2	14x2 mm
16x2	16x2 mm

004	Colour
SW	Black

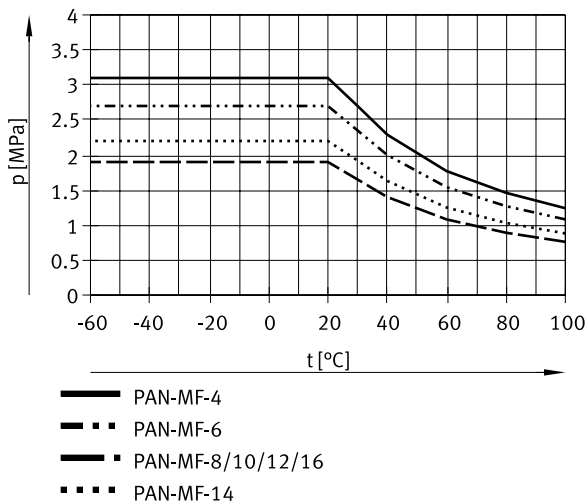
005	Packaging unit [m]
	Standard
500	500 m

Datasheet

Operating and environmental conditions

Outside diameter	4 mm	6 mm	8 mm	10 mm	12 mm	14 mm	16 mm	
Inside diameter	2.5 mm	4 mm	6 mm	7.5 mm	9 mm	10 mm	12 mm	
Pneumatic connection	For push-in connector O.D. 4 mm	For push-in connector O.D. 6 mm	For push-in connector O.D. 8 mm	For push-in connector O.D. 10 mm	For push-in connector outside diameter of 12 mm	For push-in connector outer diameter of 14 mm	For push-in connector O.D. 16 mm	
Flow-relevant bending radius	15 mm	35 mm	50 mm	65 mm	70 mm	75 mm	130 mm	
Min. bending radius	10 mm	15 mm	35 mm	45 mm	50 mm		75 mm	
Temperature-dependent operating pressure	-0.095 ... 3.1 MPa	-0.095 ... 2.7 MPa	-0.095 ... 1.9 MPa			-0.095 ... 2.2 MPa	-0.095 ... 1.9 MPa	
Temperature-dependent operating pressure	-0.95 ... 31 bar	-0.95 ... 27 bar	-0.95 ... 19 bar			-0.95 ... 22 bar	-0.95 ... 19 bar	
Temperature-dependent operating pressure	-13.775 ... 449.5 psi	-13.775 ... 391.5 psi	-13.775 ... 275.5 psi			-13.775 ... 319 psi	-13.775 ... 275.5 psi	
Conforms to standard	DIN 73378-PA12-PHL							
Operating medium	Compressed air to ISO 8573-1:2010 [7:-:], Mineral oil							
Ambient temperature	-60 ... 100°C							
Tubing characteristics	Suitable for energy chains							

Operating pressure p as a function of temperature t



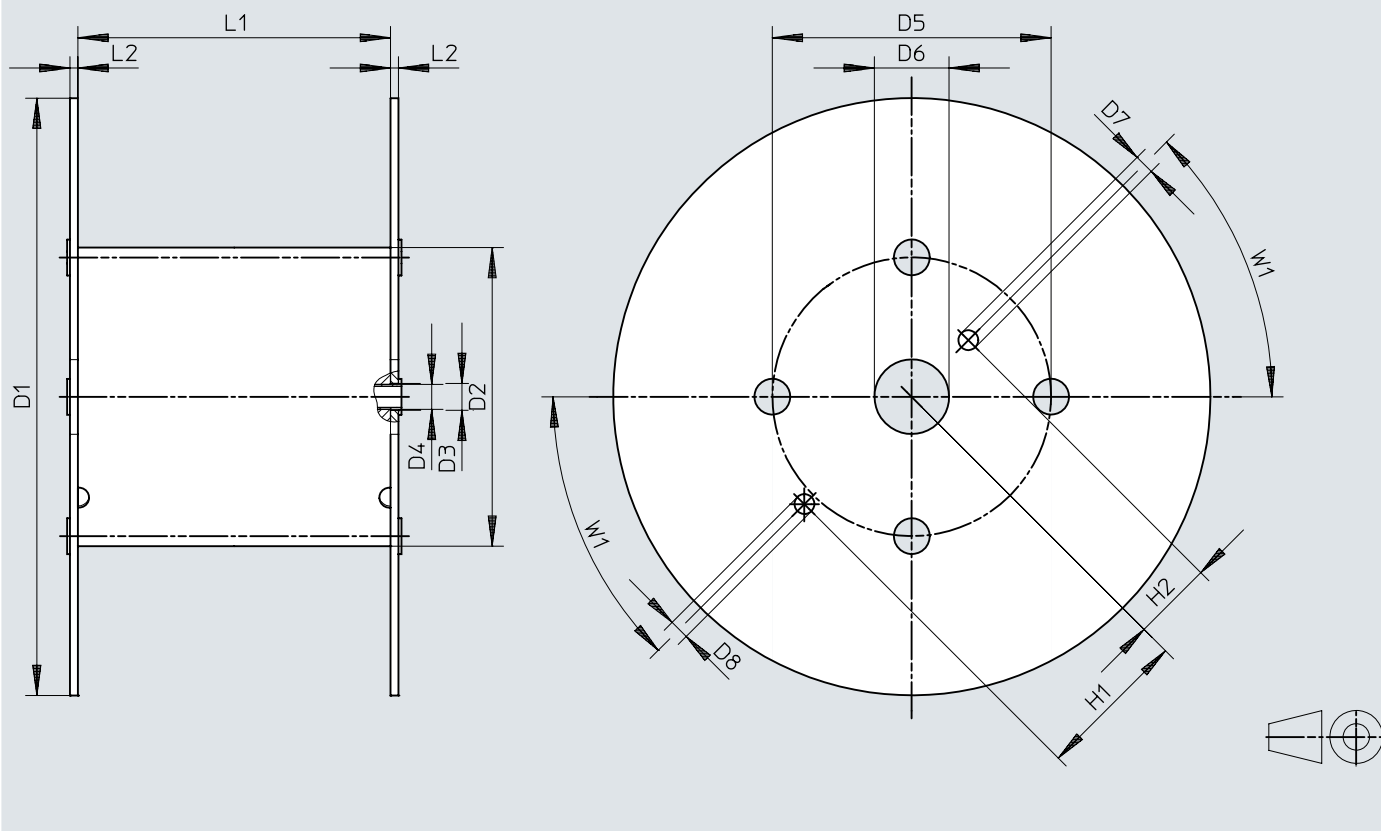
Materials

Shore hardness	D 65 +/-3
Material tubing	PA12-P
Note on materials	RoHS-compliant
LABS (PWIS) conformity	VDMA24364-B2-L

Dimensions


Dimensions – Reel

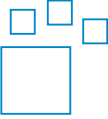
Download CAD data → www.festo.com



	D1 ∅	D2 ∅	D3 ∅	D4 ∅	D5 ∅	D6 ∅	D7 ∅	D8 ∅	H1	H2	L1	L2	W1
PAN-MF-4x0,75-...-500	545	246	21	20	216	75	20	20	152,5	80,5	128	8	45°
PAN-MF-6x1-...-500	600	310	21	20	280	75	20	20	152,5	80,5	114	8	45°

Ordering data

Ordering data						
	Outside diameter	Packaging unit [m]	Product weight according to length	Colour	Part no.	Type
	4 mm	Standard	0.008 kg/m	Black	570357	PAN-MF-4X0,75-SW
		500 m			572091	PAN-MF-4X0,75-SW-500
	6 mm	Standard	0.016 kg/m		570358	PAN-MF-6X1-SW
		500 m			572093	PAN-MF-6X1-SW-500
	8 mm	Standard	0.022 kg/m		570359	PAN-MF-8X1-SW
	10 mm		0.035 kg/m		570360	PAN-MF-10X1,25-SW
	12 mm		0.051 kg/m		570361	PAN-MF-12X1,5-SW
	14 mm		0.077 kg/m		570362	PAN-MF-14X2-SW
16 mm	0.09 kg/m		570363	PAN-MF-16X2-SW		

Ordering data – Modular product system			
	Short type code	Part no.	Type
	PAN, PAN-MF, PAN-R	553610	PAN