

Electrical adapters NEFU, universal

Technical data

**Control cabinet through-hole
NEFU-D12G4**

- Control cabinet through-hole for Ethernet connecting cables with M12 connection



General technical data		
Type	NEFU-D12G4-D12DG4	NEFU-D12G4-R3DW4
Electrical connection 1	Straight socket, 4-pin, M12x1, D-coded	Straight socket, 4-pin, M12x1, D-coded
Electrical connection 2	Straight socket, 4-pin, M12x1, D-coded	Angled socket, 4-pin, RJ45
Conforms to standard	EN 61076-2-101	EN 61076-2-101
	–	IEC 60603-7-3
Transmission characteristics	In accordance with category 5, EN 50173, class D	
	In accordance with category 5, ISO/IEC 11801, class D	
Operating voltage range	[V DC] 0 ... 30	
Surge resistance	[kV] 0.8	
Acceptable current load at 40°C	[A] 4	2
Type of mounting	Screw-clamped	
Nominal tightening torque	[Nm] 0.5 (for plug connector M12x1)	
	[Nm] 2.5 (hex nut for mounting in control cabinet)	
Degree of protection to EN 60529	–	IP20
	IP65	IP65
	IP67	IP67

Materials		
Type	NEFU-D12G4-D12DG4	NEFU-D12G4-R3DW4
Housing	Nickel-plated brass	PA, nickel-plated brass, die-cast zinc
Housing colour	Silver	Black
Pin contacts	Gold-plated brass	Gold-plated brass
Note on materials	RoHS compliant	RoHS compliant
	Free of copper and PTFE	Free of copper and PTFE
	Contains PWIS (paint-wetting impairment substances)	–

Operating and environmental conditions		
Type	NEFU-D12G4-D12DG4	NEFU-D12G4-R3DW4
Ambient temperature	[°C] –25 ... +85	–5 ... +60
Degree of contamination	3	3

Electrical adapters NEFU, universal

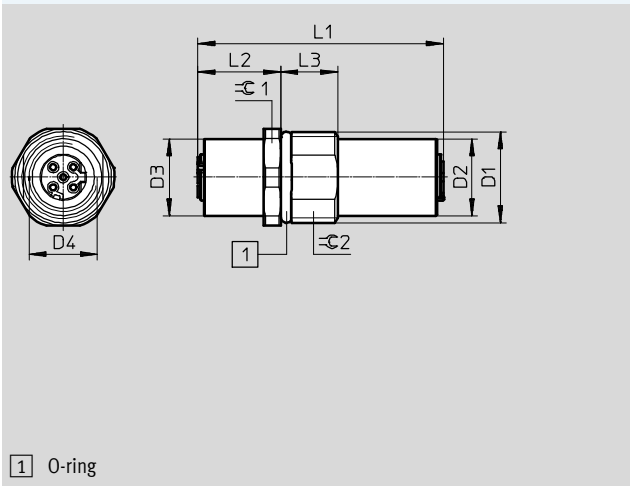
Technical data

FESTO

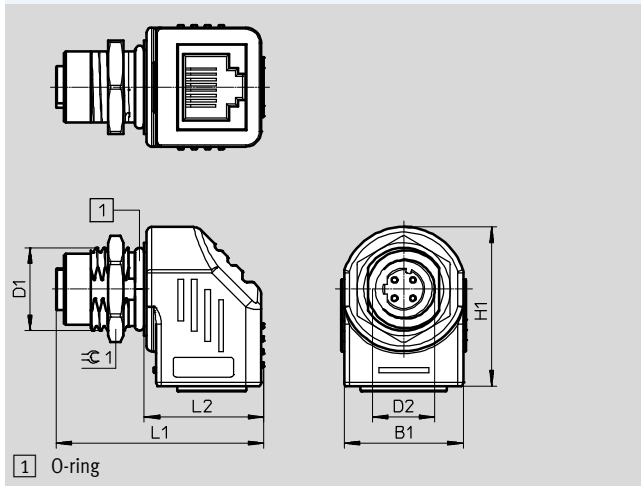
Dimensions

Download CAD data → www.festo.com

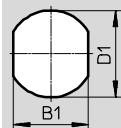
NEFU-D12G4-D12DG4



NEFU-D12G4-R3DW4



Mounting aperture



Type	B1	D1	D2	D3	D4	H1	L1	L2	L3	∅ 1	∅ 2
NEFU-D12G4-D12DG4	–	M16x1.5	13.5	13.5	M12x1	–	43.2	14.6	10	SW17	SW14
NEFU-D12G4-R3DW4	23	M16x1.5	M12x1	–	–	30.7	40.1	23.1	–	SW18	–
Mounting aperture	13.8	16	–	–	–	–	–	–	–	–	–

Ordering data

	Electrical connection 1	Electrical connection 2	Part No.	Type
	Straight socket, 4-pin, M12x1, D-coded	Straight socket, 4-pin, M12x1, D-coded	8040459	NEFU-D12G4-D12DG4
		Angled socket, 4-pin, RJ45	8040457	NEFU-D12G4-R3DW4