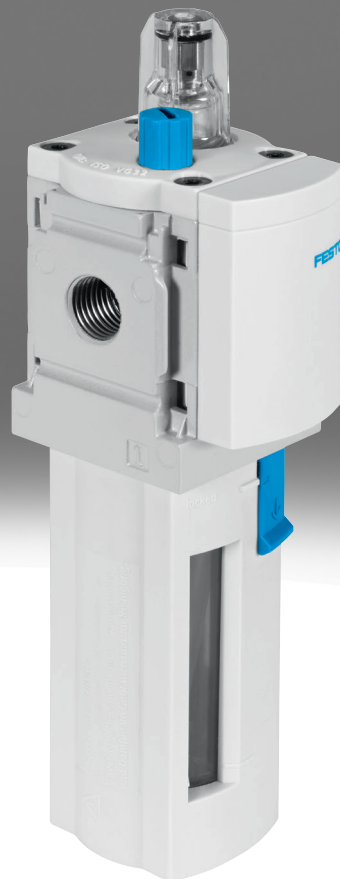


Lubricator MS6-LOE

FESTO



Characteristics

At a glance

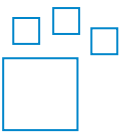
Very compact series for use close to the process directly on the machine

- Grid dimension: 62 mm
- Proportional lubricator with precision oil dosing
- Reduces wear on drive units subject to high loads
- High flow rate performance
- Quick and easy oil top-up even during operation (under pressure)

The following oils are recommended for Festo components (viscosity range to ISO 3448, ISO class VG 32, 32 mm²/s (= cSt) at 40 °C):

- Festo special oil OFSW-32 (see accessories)

Ordering data - modular system



Configurable product

This product and all its product options can be ordered online via the configurator.

Diagrams

[Further information → ms6-loe](#)



The diagrams shown in this document are also available online. These can be used to display precise values.

Function

The proportional lubricator adds a precisely adjustable amount of oil to the compressed air. The pressure drop that occurs when air flows through a Venturi nozzle is used to feed oil from a reservoir to the drip cap. From there, the oil drips into the air duct directly behind the proportional valve, where it is atomised. The amount of oil mist is proportional to the compressed air flow rate.

Pneumatic connection

Depending on the size, different connection types can be selected:

- Individual fittings that are fastened via a female thread
- Connecting plates with female thread

Bowl type

Bowl guard can be selected either as a plastic bowl guard or integrated as a metal bowl guard.

EU certification

Optional device variant EX4 for use in potentially explosive areas of zones 1, 2, 21 and 22

UL certification

Optional device variant UL1, which meets the safety requirements for the Canadian and US markets.

Flow direction

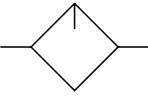
Available with flow in the opposite direction.

Type code

001	Series		005	Bowl type	
MS	MS series		R	Plastic tray with plastic basket	
			U	Aluminium	
002	Size		006	Type of mounting	
6	Grid dimension 62 mm			Without mounting bracket	
003	Function		WP	Mounting bracket basic design	
LOE	Compressed air lubricator		WPM	Mounting bracket for hooking in service unit components	
004	Pneumatic connection		WB	Mounting centrally at rear (wall mounting top and bottom), connecting plates not required	
1/4	Female thread G1/4		007	EU certification	
3/8	Female thread G3/8			None	
1/2	Female thread G1/2		EX4	II 2GD	
AGB	Sub-base G1/4		008	UL certification	
AGC	Sub-base G3/8			None	
AGD	Sub-base G1/2		UL1	cULus ordinary location for Canada and USA	
AGE	Sub-base G3/4		009	Flow direction	
AQN	Sub-base 1/4 NPT			Flow direction from left to right	
AQP	Sub-base 3/8 NPT		Z	Flow direction from right to left	
AQR	Sub-base 1/2 NPT				
AQS	Sub-base 3/4 NPT				

Datasheet

General technical data



Pneumatic connection, port 1	G1/4		G3/8		G1/2	
Bowl type	Plastic tray with plastic basket	Aluminium	Plastic tray with plastic basket	Aluminium	Plastic tray with plastic basket	Aluminium
Pneumatic connection, port 2	G1/4		G3/8		G1/2	
Design	Proportional standard mist lubricator					
Type of mounting	Either: In-line installation With accessories					
Mounting position	Vertical +/-5°					
Min. flow rate for lubricator function	50 l/min					
Max. oil capacity	75 cm ³	80 cm ³	75 cm ³	80 cm ³	75 cm ³	80 cm ³

Standard nominal flow rate q_nN

Pneumatic connection, port 1	G1/4	G3/8	G1/2
Standard nominal flow rate ¹⁾	2,500 l/min	5,300 l/min	7,200 l/min

1) in main flow direction 1->2

Operating and environmental conditions

Operating pressure ¹⁾	1 ... 16 bar
Operating medium	Compressed air to ISO 8573-1:2010 [7:4:4] Inert gases
Note on operating and pilot medium	Lubricated operation possible
Ambient temperature	-10 ... 60°C
Media temperature	-10 ... 60°C
Storage temperature	-10 ... 60°C
UL certification ²⁾	None, cULus ordinary location for Canada and USA
Corrosion resistance class CRC ³⁾	2 - Moderate corrosion stress

1) With certification UL: 1 ... 10 bar

2) More information www.festo.com/catalogue/ms6-loe → Support/Downloads.

3) More information www.festo.com/x/topic/crc

ATEX

ATEX category gas	II 2G
Explosion ignition protection type for gas	Ex h IIC T6 Gb X
ATEX category dust	II 2D
Explosion ignition protection type for dust	Ex h IIIC T60°C Db X
Explosion ambient temperature	-10°C ≤ T _a ≤ +60°C
Explosion protection certification outside the EU	EPL Db (GB) EPL Gb (GB)
CE mark (see declaration of conformity) ¹⁾	To EU Explosion Protection Directive (ATEX)
CE marking (see declaration of conformity) ²⁾	To UK EX instructions

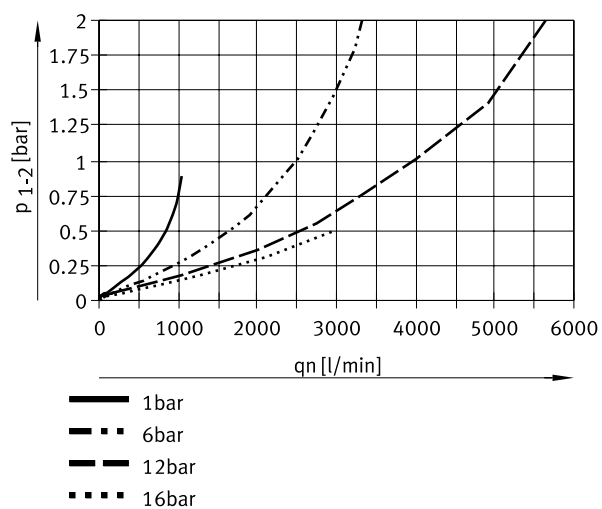
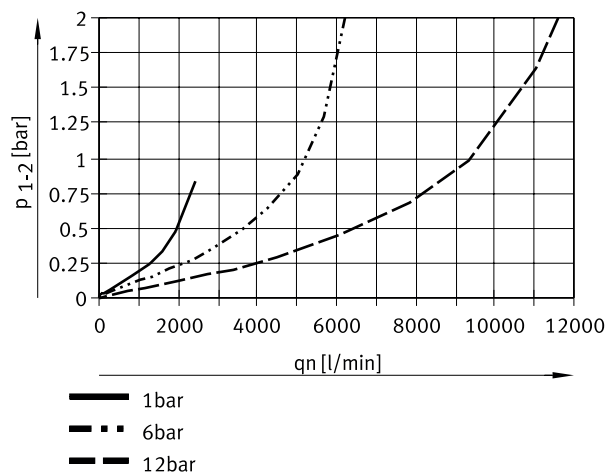
1) More information www.festo.com/catalogue/ms6-loe → Support/Downloads.

2) More information www.festo.com/catalogue/ms6-loe → Support/Downloads.

Datasheet

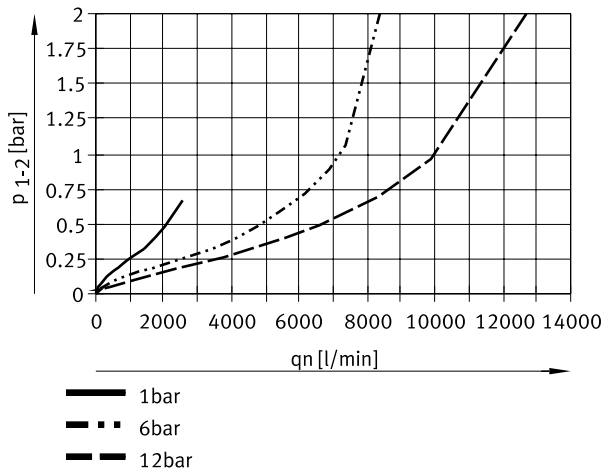
Materials

Bowl type	Plastic tray with plastic basket	Aluminium
Material housing	Die-cast aluminium	
Material bowl	PC	Wrought aluminium alloy
Note on materials	RoHS-compliant	
LABS (PWIS) conformity	VDMA24364-B1/B2-L	

Standard flow rate q_n as a function of differential pressure p_{1-2} (MS6-LOE-1/4)Standard flow rate q_n as a function of differential pressure p_{1-2} (MS4-LOE-3/8)

Datasheet

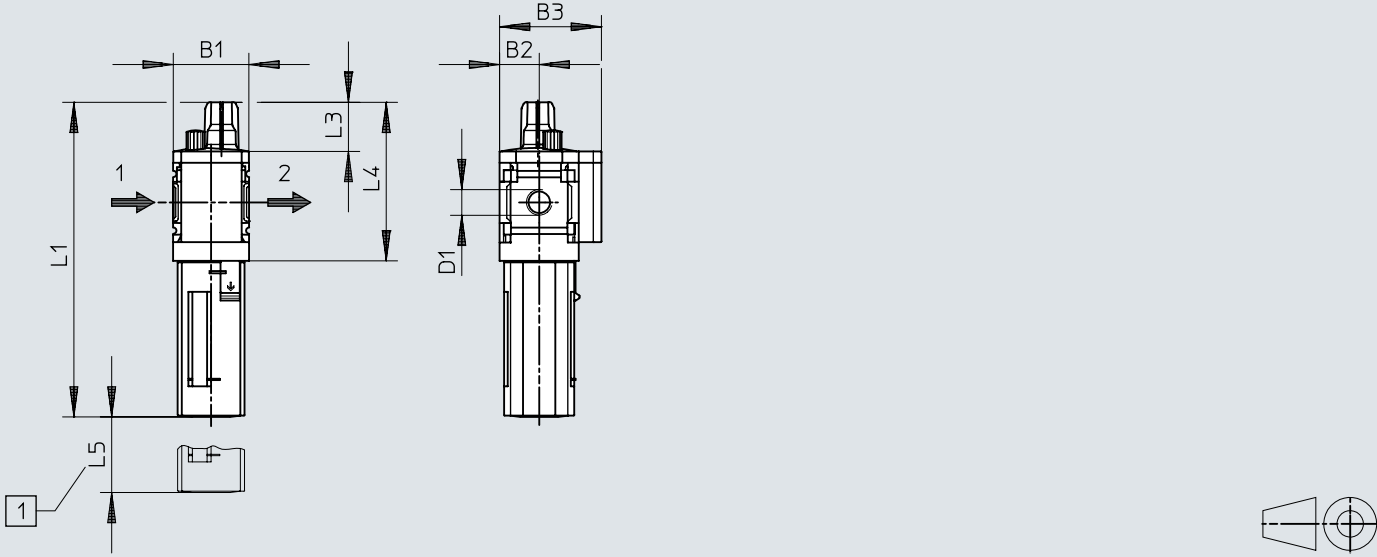
Standard flow rate q_n as a function of differential pressure p_{1-2} (MS6-LOE-1/2)



Dimensions

Dimensions – Basic type

Download CAD data → www.festo.com




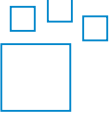
[1] Installation dimension

	B1	B2	B3	D1	1)	L1	2)	L2	L3	L4	L5
MS6-LOE-1/4	62	31	76	G1/4	218	223	66	27	112	130	
MS6-LOE-3/8				G3/8							
MS6-LOE-1/2				G1/2							

- 1) Bowl guard, polymer
- 2) Bowl guard, metal

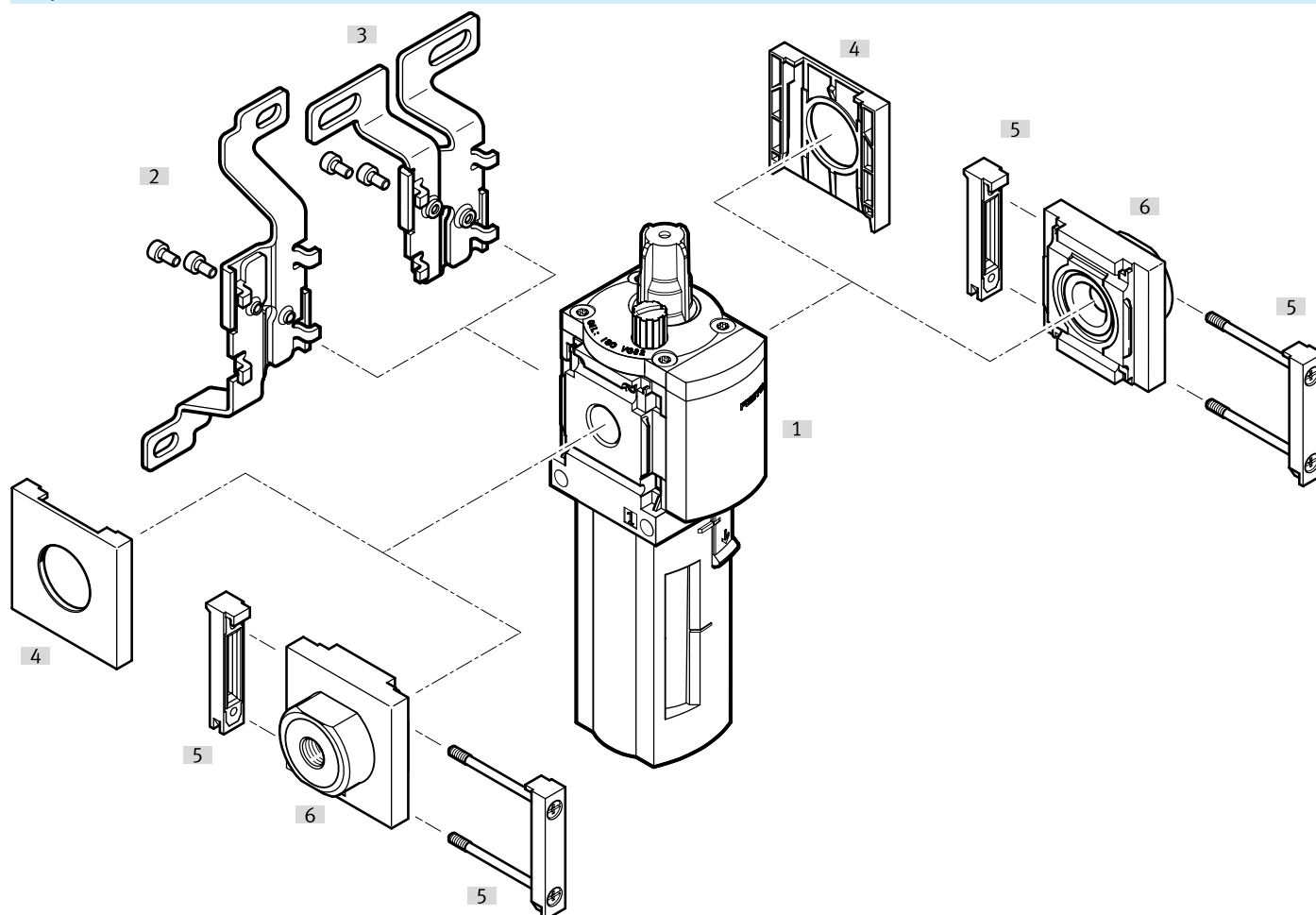
Ordering data

Ordering data						
	Pneumatic connection, port 1	Bowl type	Flow direction	Product weight	Part no.	Type
	G1/4	Plastic tray with plastic basket	Flow direction from left to right	600 g	529779	MS6-LOE-1/4-R
		Aluminium		810 g	529781	MS6-LOE-1/4-U
	G3/8	Plastic tray with plastic basket		600 g	529783	MS6-LOE-3/8-R
		Aluminium		810 g	529785	MS6-LOE-3/8-U
	G1/2	Plastic tray with plastic basket	Flow direction from right to left	600 g	529775	MS6-LOE-1/2-R
			Flow direction from left to right		529776	MS6-LOE-1/2-R-Z
	Aluminium	Flow direction from left to right	810 g	529777	MS6-LOE-1/2-U	

Ordering data – Modular product system			
	Short type code	Part no.	Type
	MS6-LOE	527674	MS6-LOE

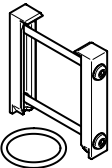
Peripherals

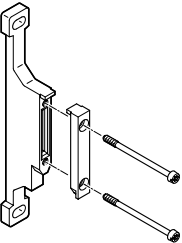
Peripherals overview

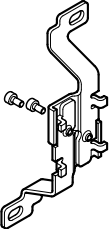


Accessories		→ Page/Internet
Type/order code	Description	
[1] Lubricator MS6-LOE		ms6-loe
[2] Mounting bracket MS6-WB	For individual device	10
[3] Cover cap MS6-END	For devices without connecting plate	10
[4] Module connector MS6-MV1	For device combinations and individual devices with connecting plate	10
[5] Connecting plate SET MS6-AG...	For device combinations	10

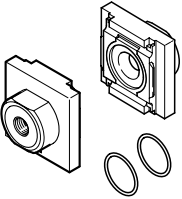
Accessories

Module connector MS6-MV1				
	Size	Product weight	Part no.	Type
	6	33 g	★ 8119204	MS6-MV1

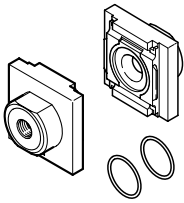
Mounting bracket MS6-WP...				
	Size	Product weight	Part no.	Type
	6	76 g	★ 532195	MS6-WP
			541544	MS6-WP-EX
		115 g	★ 526074	MS6-WPB
			541542	MS6-WPB-EX
		144 g	526073	MS6-WPM-D
	154 g	532186	MS6-WPM-2D	

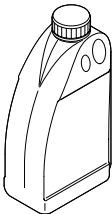
Mounting bracket MS6-WB				
	Size	Product weight	Part no.	Type
	6	121 g	★ 532196	MS6-WB

Cover cap MS6-END				
	Size	Product weight	Part no.	Type
	6		538780	MS6-END

Connecting plate-SET MS6-AG...					
	Size	Pneumatic connection, port 1	Product weight	Part no.	Type
	6	G1/4	300 g	526080	MS6-AGB

Accessories

Connecting plate-SET MS6-AG...					
	Size	Pneumatic connection, port 1	Product weight	Part no.	Type
	6	G1/4	300 g	541538	MS6-AGB-EX
		G3/8		526081	MS6-AGC
		G1/2		541539	MS6-AGC-EX
		G3/4		★ 526082	MS6-AGD
				541540	MS6-AGD-EX
	★ 526083	MS6-AGE			
		541541	MS6-AGE-EX		

Special oil OFSW (1 litre)			
	Short type code	Part no.	Type
	OFSW	152811	OFSW-32