

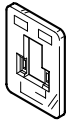




Illuminating seals, square design

FESTO



Product range overview

Function	Design	Type	For plug socket	For plug socket with cable	For solenoid coil (valves with solenoid coil)	→ Page/ Internet
Illuminating seal		MF-LD	MSSD-F	KMF	For F solenoid coil Tiger 2000 Solenoid valves to ISO 5599-1 (VSVA) Solenoid valves to ISO 5599-1 Solenoid coils MSF Tiger Classic	3
		MC-LD	MSSD-C	KMC	For D solenoid coil, N1 solenoid coil MS-START-UP exhaust valves (on/off valves MS) Solenoid valves to ISO 5599-1 (VSVA) Solenoid valves to ISO 5599-1 Solenoid coils MSN1 Solenoid valves MN1H-MS, brass design	3
		MV-LD-12-24DC	MSSD-V	KMV	For V solenoid coil Tiger 2000	3
		ME-LD-12-24DC	MSSD-E	KME	For E solenoid coil Solenoid valves MEH/MEBH, midi pneumatic	3
		MEB-LD	MSSD-EB	KMEB	For EB solenoid coil, N2 solenoid coil MS-START-UP exhaust valves (on/off valves MS)	3

Datasheet

Illuminating seal

MF-LD

MC-LD

MV-LD

ME-LD

MEB-LD

Illuminating seals are mounted between the plug socket and solenoid coil. The sealing rim faces the coil side, while the marking faces the device plug socket. The seal is illuminated yellow when the power is switched on.



General technical data

Operating voltage		12 ... 24 V DC	230 V AC
Operating voltage range	[V DC]	12 ... 24	–
Nominal operating voltage	[V AC]	–	230±10%
Protective circuit, max. switch-off voltage	[V DC]	Yes, 50	–
Pollution degree		–	3
Switching position indication		LED (yellow)	LED (yellow)
Rated output of illuminating seal	[mW]	50	330
Surge capacity	MF-LD	[kV]	–
	MC-LD	[kV]	–
	MEB-LD	[kV]	–
Electrical connection	ME-LD		Type C, square design MSE
	MF-LD		Type B, square design MSF
	MC-LD		To DIN EN 175301-803, type A, square design MSC
	MV-LD		To DIN EN 175301-803, type B, square design MSV
	MEB-LD		To DIN EN 175301-803, type C, square design MSEB
Protective earth connection		Available	
Type of mounting	MF-LD		On solenoid valve with M3 central screw
	MC-LD		On solenoid valve with M3 central screw
	MV-LD		On solenoid valve with M3 central screw
	ME-LD		On solenoid valve with M3 central screw
	MEB-LD		On solenoid valve with M2.5 central screw
Degree of protection to EN 60529		IP65 (when mounted)	

Operating and environmental conditions

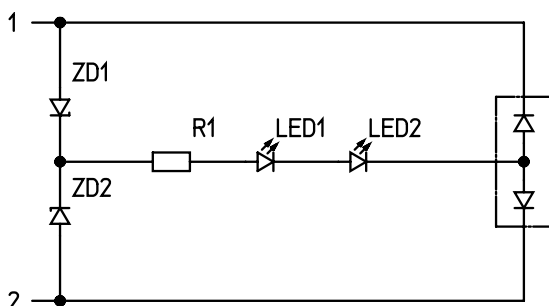
Operating voltage		12 ... 24 V DC	230 V AC
Ambient temperature	[°C]	–25 ... +85	–25 ... +85
CE marking (see declaration of conformity)		–	To EU Low Voltage Directive
UKCA marking (see declaration of conformity)		–	To UK regulations for electrical equipment

Materials

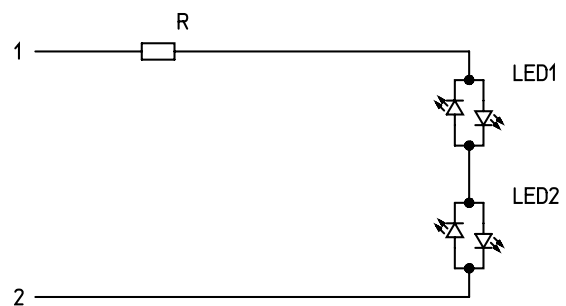
Housing materials	TPE-U (PU)
Colour	Transparent
LABS (PWIS) conformity	VDMA24364-B2-L

Circuit diagram

12 ... 24 V DC

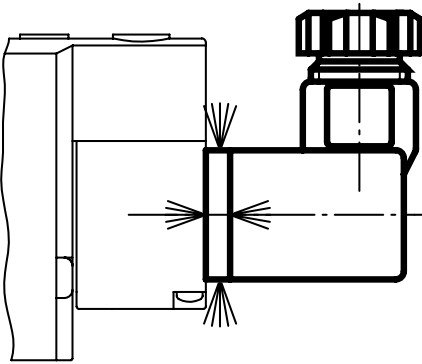


230 V AC




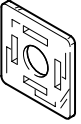
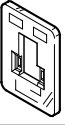
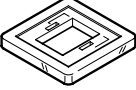

Ordering data

Fitting the illuminating seal



- The existing seal must be removed before fitting the illuminating seal.
- The sealing surface of the illuminating seal must point towards the plug socket, and the sealing rim towards the solenoid coil.
- The illuminating seal is intended for one-off installation.
- Reusing illuminating seals can impair their function.

Ordering data

	Illuminating seal for	Electrical connection to EN 175301-803	Product weight [g]	Max. tightening torque [Nm]	Operating voltage [V]	Part no.	Type
	F solenoid coils	–	1.6	0.6	12 ... 24 DC	19143	MF-LD-12-24DC
					230 AC	19144	MF-LD-230AC
	D and N1 solenoid coils	■	1.6	0.6	12 ... 24 DC	19145	MC-LD-12-24DC
					230 AC	19146	MC-LD-230AC
	V solenoid coils	■	1.6	0.35	12 ... 24 DC	35558	MV-LD-12-24DC
	E solenoid coils	–	0.6	0.35	12 ... 24 DC	19141	ME-LD-12-24DC
	EB solenoid coils	■	0.6	0.5	12 ... 24 DC	151717	MEB-LD-12-24DC
					230 AC	151718	MEB-LD-230AC