

Multiple connectors KSV, KDVF

FESTO



Characteristics

At a glance

The plug and socket connections are numbered, and a locating lug prevents them from being incorrectly matched during coupling. The coupling is tightened and secured with a retaining ring. The multi-plug has a half-shell housing to accommodate a protective conduit. An additional inner grommet provides strain relief for the tubing and protects it from damage.

Type code

001	Series	
KSV	Multi-plug	
KSV6	Multiple connector	
KDVF6	Multi-socket	
KDV	Terminal socket	
KDVF	Multi-socket	

002	Max. connections	
	1	
5	5	
7	7	
8	8	
12	12	
16	16	
22	22	
32	32	

003	Connection type	
	Standard	
PK	Barbed connector	

004	Connection size	
	Standard	
2	2	
3	3	
4	4	
6	6	

005	Generation	
	First generation	
B	Second generation	

Datasheet

General technical data

Max. number of connections	5	7	8	12	16	22	32
Short type code	KSV, KDVF	KSV6, KDVF6	KSV, KDVF	KSV6, KDVF6	KDVF, KSV	KSV6, KDVF6	KDVF, KSV
Pneumatic connection	PK-2 PK-3 PK-4	PK-6	PK-2 PK-3 PK-4	PK-6	PK-2 PK-3 PK-4	PK-6	PK-2 PK-3 PK-4
Nominal size	4 mm	6 mm	4 mm	6 mm	4 mm	6 mm	4 mm

Operating and environmental conditions

Nominal size	4 mm	6 mm
Operating pressure	-0.95 ... 16 bar	-0.95 ... 10 bar
Operating medium	Compressed air to ISO 8573-1:2010 [7::-]	
Note on operating and pilot medium	Lubricated operation possible (in which case lubricated operation will always be required)	
Ambient temperature	-10 ... 60°C	
Media temperature	-10 ... 60°C	
Corrosion resistance class CRC ¹⁾	2 - Moderate corrosion stress	

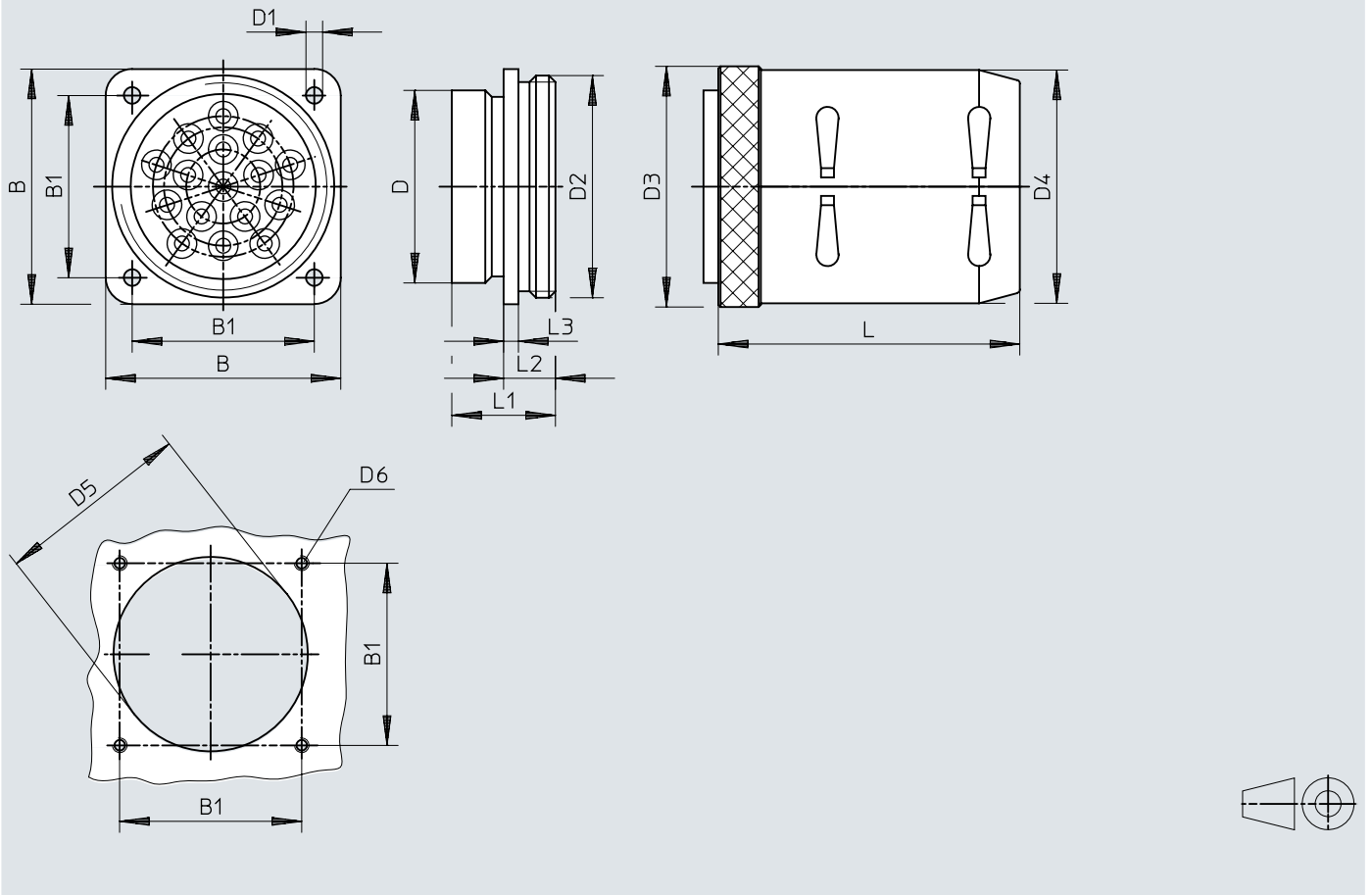
1) More information www.festo.com/x/topic/crc

Materials

Colour	grey
Note on materials	RoHS-compliant
LABS (PWIS) conformity	VDMA24364-B1/B2-L

Dimensions


Dimensions – KSV (Multi-plug), KDVF (Multi-socket)

Download CAD data → www.festo.com


		B	B1	D ∅	D1 ∅	D2	D3 ∅	D4 ∅	D5 min.	D6	L	L1	L2	L3
KSV-5	KDVF-5	41,2	31,7	30	4,5	M36x1,5	42	40	30,5	M4	71	23,5	13,5	3,5
KSV-8	KDVF-8	50,8	39,6	40	4,5	M45x1,5	50	50	40,5	M4	77	23,5	13,5	3,5
KSV-16-B	KDVF-16-B	63,5	49,2	52	4,5	M60x1,5	65	63	52,5	M4	82	28	14	4
KSV-32-B	KDVF-32-B	82,6	66,6	70	6,6	M80x1,5	88	80	70,5	M6	82	29	15	4
KSV6-7	KDVF6-7	50,8	39,6	40	4,5	M45x1,5	50	50	40,5	M4	77	23,5	13,5	3,5
KSV6-12	KDVF6-12	63,5	49,2	52	4,5	M60x1,5	65	63	52,5	M4	82	28	14	4
KSV6-22	KDVF6-22	82,6	66,6	70	6,6	M80x1,5	88	80	70,5	M6	87	29	15	4

Ordering data


Ordering data – Multi-plug

	Max. number of connections	Pneumatic connection	Product weight	Part no.	Type
	5	PK-2, PK-3, PK-4	92 g	7557	KSV-5
	7	PK-6		152506	KSV6-7
	8	PK-2, PK-3, PK-4	128 g	7558	KSV-8
	12	PK-6		152507	KSV6-12
	16	PK-2, PK-3, PK-4	223 g	7559	KSV-16-B
	22	PK-6		152508	KSV6-22
	32	PK-2, PK-3, PK-4	374 g	7560	KSV-32-B


Ordering information – Multi-socket

	Max. number of connections	Pneumatic connection	Product weight	Part no.	Type
	5	PK-2, PK-3, PK-4	21 g	7562	KDVF-5
	7	PK-6		152509	KDVF6-7
	8	PK-2, PK-3, PK-4	36 g	7563	KDVF-8
	12	PK-6		152510	KDVF6-12
	16	PK-2, PK-3, PK-4	64 g	7564	KDVF-16-B
	22	PK-6		152511	KDVF6-22
	32	PK-2, PK-3, PK-4	131 g	7565	KDVF-32-B

Accessories

Terminal plug						
	Pneumatic connection	Nominal size	Corrosion resistance class CRC ¹⁾	Packaging unit [units]	Part no.	Type
	For tubing outside diameter of 3 mm	1.5 mm	1 - Low corrosion stress	10	33384	KSV-PK-2
	For tubing O.D. 4 mm	2.5 mm			7215	KSV-PK-3
	For tubing O.D. 6 mm	3.4 mm			7216	KSV-PK-4
	For tubing O.D. 8 mm	5.3 mm			117945	KSV6-PK-6

1) More information: www.festo.com/x/topic/crc

Terminal socket						
	Pneumatic connection	Nominal size	Corrosion resistance class CRC ¹⁾	Packaging unit [units]	Part no.	Type
	For tubing outside diameter of 3 mm	1.5 mm	1 - Low corrosion stress	10	244937	KDV-PK-2
	For tubing O.D. 4 mm	2.5 mm			208378	KDV-PK-3
	For tubing O.D. 6 mm	3.4 mm			208380	KDV-PK-4
	For tubing O.D. 8 mm	5.3 mm			337348	KDV6-PK-6

1) More information: www.festo.com/x/topic/crc