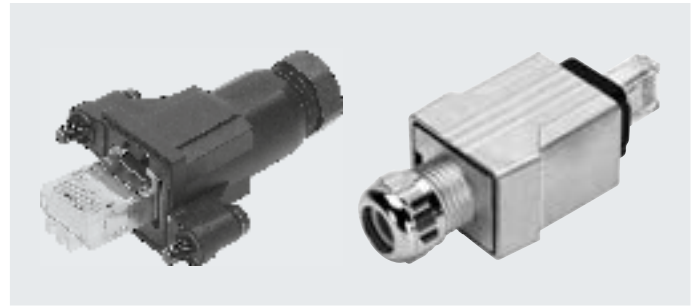


Data sheet

Plug FBS-RJ45

- Ethernet plug with 8-pin RJ45 connection
- Reverse polarity protected
- High transmission quality
- Detachable connection



General technical data		
Type	FBS-RJ45-8-GS	FBS-RJ45-PP-GS
Permissible cable \varnothing [mm]	4 ... 5.4	5 ... 8
Degree of protection to EN 60529	IP65/IP67	IP65/IP67
Protection against direct and indirect contact	PELV	PELV
Ethernet cable specification	Type: CAT.5	Type: CAT.5
	Individual wire diameter: 0.89 ... 0.99 mm	Individual wire diameter: max. 1.6 mm
	AWG 24-26 fine wire	0.13 ... 0.36 mm ² , 1-wire
	–	0.13 ... 0.36 mm ² , 7-wire
Product weight [g]	15	60

Materials		
Type	FBS-RJ45-8-GS	FBS-RJ45-PP-GS
Housing	Reinforced PA	Nickel-plated, die-cast zinc
Screws	Steel	–
Seals	NBR	NBR
Pin contacts	–	Copper alloy, nickel-plated and gold-plated
Note on materials	–	RoHS-compliant

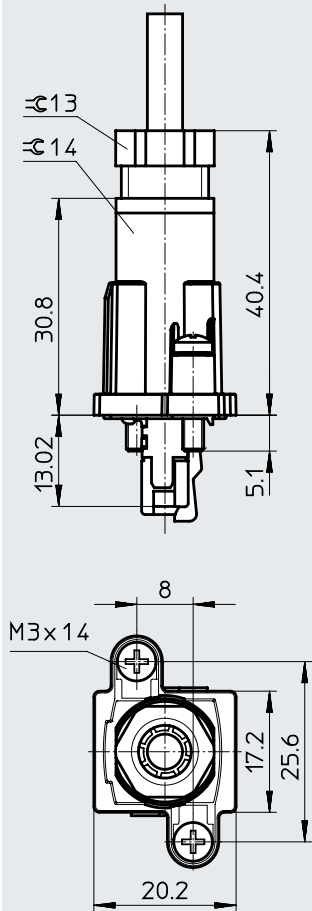
Operating and environmental conditions		
Type	FBS-RJ45-8-GS	FBS-RJ45-PP-GS
Ambient temperature [°C]	–5 ... +60	–40 ... +70
Storage temperature [°C]	–20 ... +70	–40 ... +70
Relative humidity [%]	0 ... 90, non-condensing, in assembled state	–

Data sheet

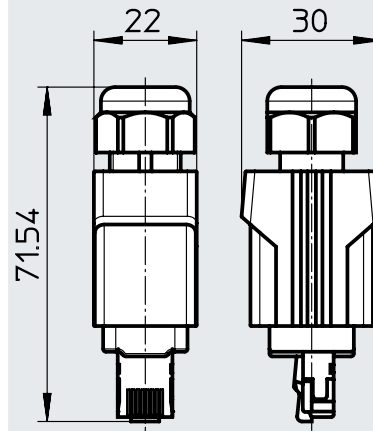
Dimensions

Download CAD data → www.festo.com

FBS-RJ45-8-GS



FBS-RJ45-PP-GS



Ordering data

	Electrical connection	Part no.	Type
	Straight plug, 8-pin	534494	FBS-RJ45-8-GS
	Straight plug, push-pull, 8-pin	552000	FBS-RJ45-PP-GS