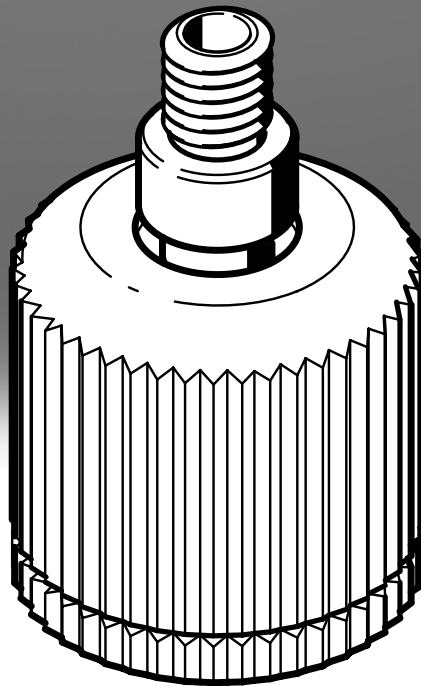


Angle compensator ESWA

FESTO



Characteristics

At a glance

Accessories for suction gripper ESG for mounting between the suction cup and the suction cup with connection.

Type code

001	Series
ESWA	Angle compensator

002	Suction cup connection
3	M4
4	M6
5	M10

Datasheet

General technical data

Pneumatic connection	M4	M6	M10
Suction cup mounting	M4	M6	M10
Correlation to suction-cup holder	Size 3	Size 4	Size 5
Design	Ball joint		
Angle compensation +/-	15 deg		
Mounting position	optional		
Type of mounting	Via male thread		

Operating and environmental conditions

Operating pressure	-0.95 ... 4 bar
Ambient temperature	0 ... 60°C
Corrosion resistance class CRC ¹⁾	1 - Low corrosion stress

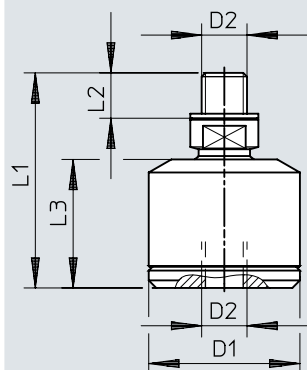
1) More information www.festo.com/x/topic/crc

Materials

Material housing	Aluminium, Brass, nickel-plated
Material seals	NBR
Note on materials	RoHS-compliant
LABS (PWIS) conformity	VDMA24364-A1-L


Dimensions

Dimensions – Angle compensator ESWA

Download CAD data www.festo.com

	D1 ∅	D2	L1	L2
ESWA-3	15	M4	23	4
ESWA-4	20	M6	28,5	6
ESWA-5	28	M10	40,5	10

Ordering data

Ordering data					
	Pneumatic connection	Correlation to suction-cup holder	Product weight	Part no.	Type
	M4	Size 3	9 g	191205	ESWA-3
	M6	Size 4	19 g	191206	ESWA-4
	M10	Size 5	57 g	191207	ESWA-5