

Air reservoir CRVZS

FESTO



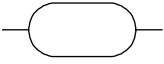
Characteristics

At a glance

- To compensate for pressure fluctuations and as accumulators in the event of sudden air consumption.
- Providing large volumes of compressed air for supplying fast-pulsing drives.
- Delay times for pressure build-up can be achieved in combination with throttle valves.

Volume [l]

[0.1] 0.1



[0.4] 0.4



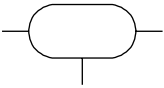
[0.75] 0.75



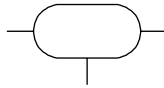
[2] 2



[5] 5



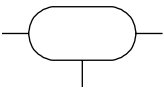
[10] 10



With condensate drain

With condensate drain

[20] 20



With condensate drain

Type code

001	Series
CRVZS	Air reservoir

002	Volume [l]
0.1	0.1
0.4	0.4
0.75	0.75
2	2
5	5
10	10
20	20

Datasheet

General technical data

Pneumatic connection	G1/8	G1/4	G1/2	G1			
Volume	0.1 l	0.4 l	0.75 l	2 l	10 l	20 l	5 l
Type of mounting	Via fixing clips			With through-hole			
Condensate drain connection	-			G3/8			
Max. tightening torque for connecting thread	15 Nm	23 Nm		55 Nm	130 Nm		
Max. tightening torque for condensate drain	-			27 Nm			
Mounting position	optional			Condensate drain underneath			

Operating and environmental conditions

Pneumatic connection	G1/8	G1/4	G1/2	G1
Operating pressure	-0.095 ... 1.6 MPa			
Operating pressure	-0.95 ... 16 bar			
Operating pressure	-13.78 ... 232 psi			
Operating medium	Compressed air to ISO 8573-1:2010 [:-:-] Nitrogen			
Ambient temperature	-10 ... 100°C			
Media temperature	-10 ... 100°C			
Corrosion resistance class CRC ¹⁾	3 - high corrosion stress			
Conforms to standard	AD 2000			
CE mark (see declaration of conformity) ²⁾	-			In accordance with EU Pressure Equipment Directive
CE marking (see declaration of conformity) ³⁾	-			to UK Pressure Equipment Regulations
Suitable for use with food ⁴⁾	See supplementary material information			
Approval	CRN, German Technical Control Board (TÜV)			German Technical Control Board (TÜV)
Certificate issuing authority	TSSACRNOH17477.5C			-

1) More information www.festo.com/x/topic/crc

2) More information www.festo.com/catalogue/crvzs → Support/Downloads.

3) More information www.festo.com/catalogue/crvzs → Support/Downloads.

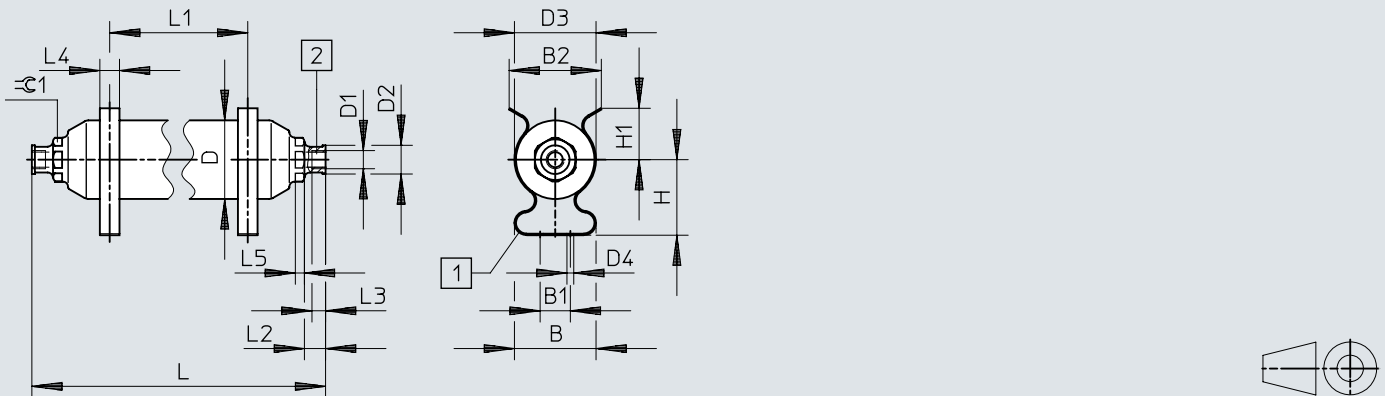
4) More information www.festo.com/catalogue/crvzs → Support/Downloads.

Materials

Pneumatic connection	G1/8	G1/4	G1/2	G1
Material air reservoir	High-alloy stainless steel			
Material fixing clips	High-alloy stainless steel			-
Note on materials	RoHS-compliant			
LABS (PWIS) conformity	VDMA24364-B1/B2-L			

Dimensions

Dimensions – CRVZS

Download CAD data → www.festo.com

[1] Fixing clips

[2] Max. tightening torque for connecting thread 15/23 Nm

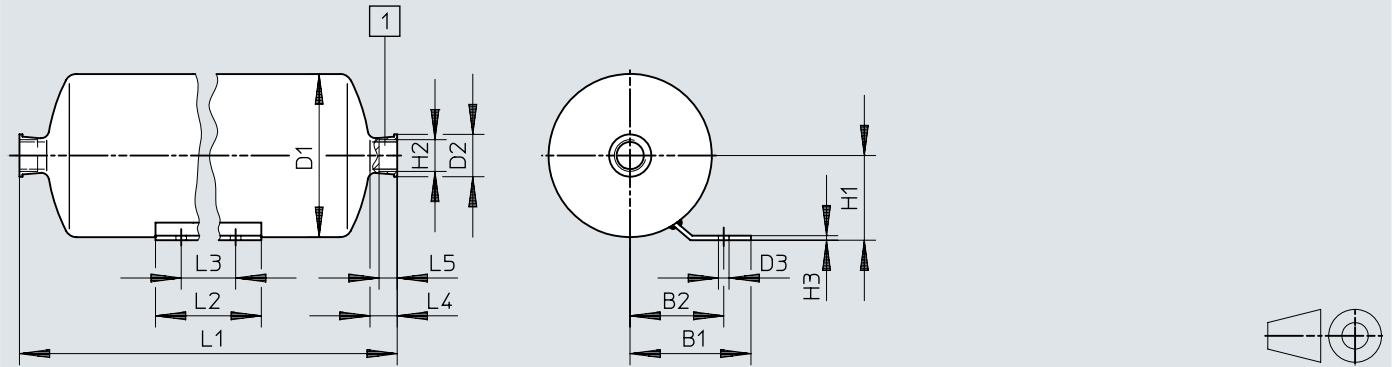
	B ±2	B1	B2 ±2	D ∅	D1	D2 ∅	D3 ∅	D4	H ±1	H1 ±1
CRVZS-0,1	51	14	–	40	G1/8	15	42	4,5	43	28
CRVZS-0,4	54	14	–	52	G1/4	19	54		50	34
CRVZS-0,75	60	20	79	70	G1/4	19	72		61	34

	L ±1	L1		L2	L3	L4	L5	≅
		min.	max.					
CRVZS-0,1	132	13	50	10	6	13	6	19
CRVZS-0,4	240	13	150	14	9			27
CRVZS-0,75	248	13	140	14	9			27

Dimensions

Dimensions – CRVZS-2

Download CAD data → www.festo.com

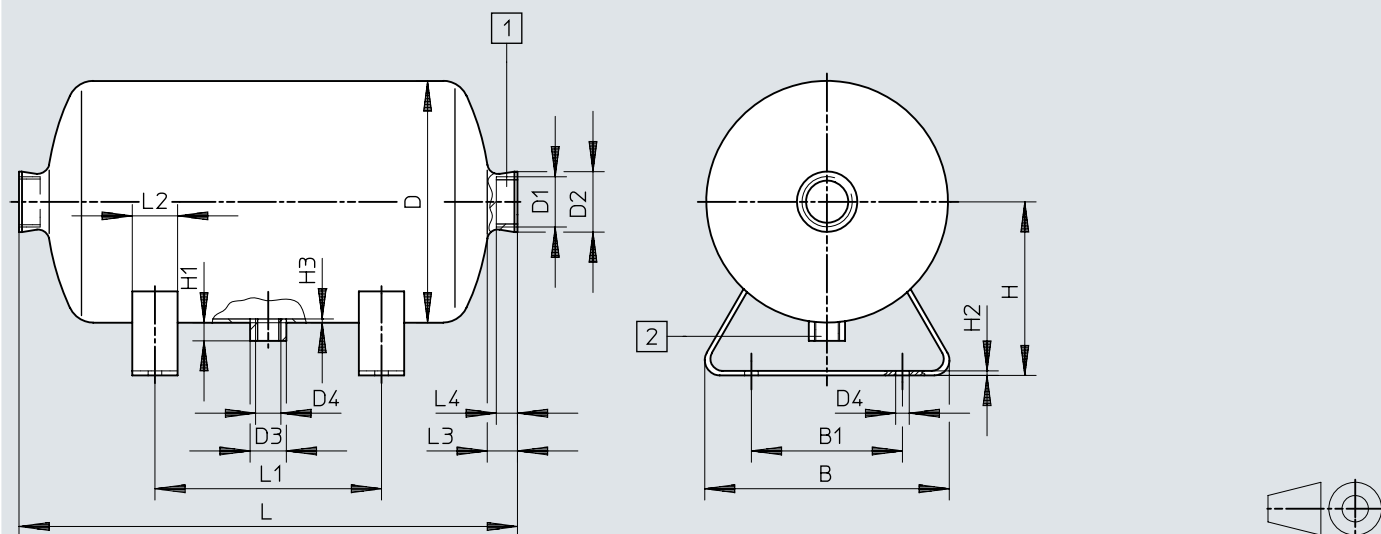


[1] Max. tightening torque for connecting thread 55 Nm

	B1 ±3	B2 ±2	D1 ∅	D2 ∅	D3 ∅	H1 ±2	H2	H3	L1 ±3	L2 ±2	L3	L4	L5
CRVZS-2	80	62	108	28	7	56	G1/2	3	300	120	86	18	12

Dimensions

Dimensions – CRVZS-5

Download CAD data → www.festo.com

[1] Max. tightening torque for connecting thread 130 Nm

[2] Max. tightening torque for condensate drain 27 Nm

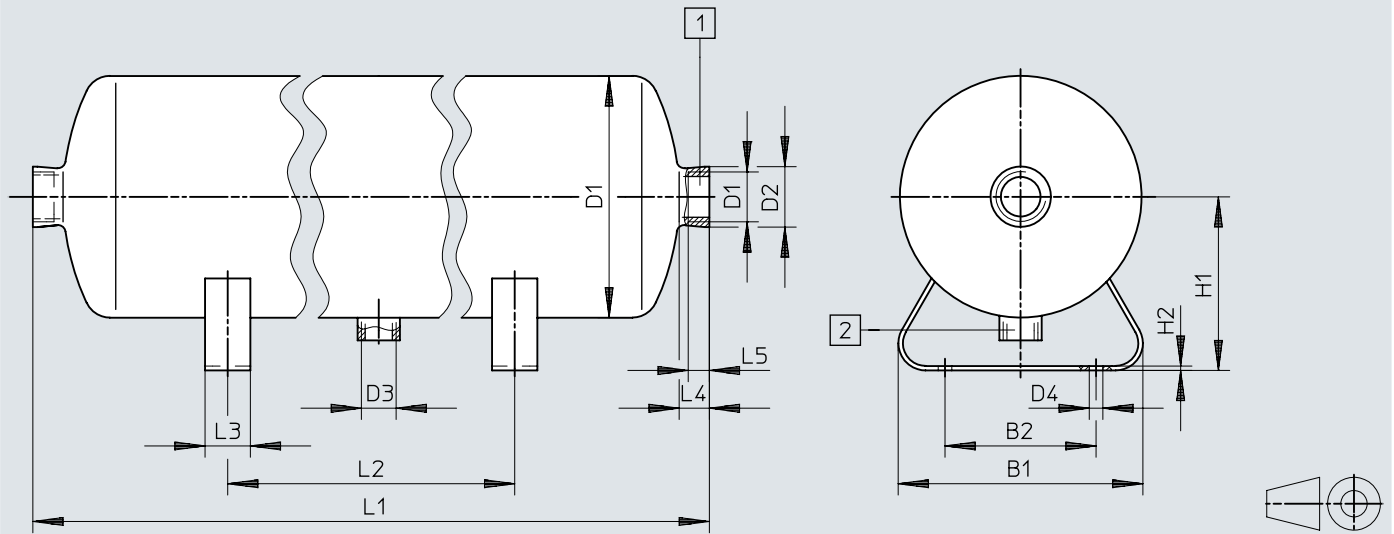
	B	B1	D	D1	D2	D3	D4	H	H1
	±2	±1	∅		∅	∅		±1,5	±1
CRVZS-5	162	100	160	G1	40	24	G3/8	115	12

	H2	H3	L	L1	L2	L3	L4
			±3	±1,5			
CRVZS-5	3	2,5	330	150	30	20	14

Dimensions

Dimensions – CRVZS-10/-20


Download CAD data → www.festo.com



- [1] Max. tightening torque for connecting thread 130 Nm
- [2] Max. tightening torque for condensate drain 27 Nm

	B1	B2	D1 ∅	D2 ∅	D3	D4 ∅	H1	H2	L1	L2	L3	L4	L5
	±2	±1	±2				±1,5		±3	±1,5			
CRVZS-10	162	100	160	40	G3/8	9	115	3	558	300	30	20	14
CRVZS-20			194				136		740				

Ordering data

Ordering data				
	Volume ¹⁾	Product weight	Part no.	Type
	0.1 l	226 g	160233	CRVZS-0.1
	0.4 l	543 g	160234	CRVZS-0.4
	0.75 l	736 g	160235	CRVZS-0.75
	10 l	6,459 g	160237	CRVZS-10
	2 l	1,681 g	160236	CRVZS-2
	20 l	10,208 g	534845	CRVZS-20
	5 l	3,581 g	192159	CRVZS-5

1) Tolerance: ±20% (G1/8, G1/4, G1/2), ±10% (G1)