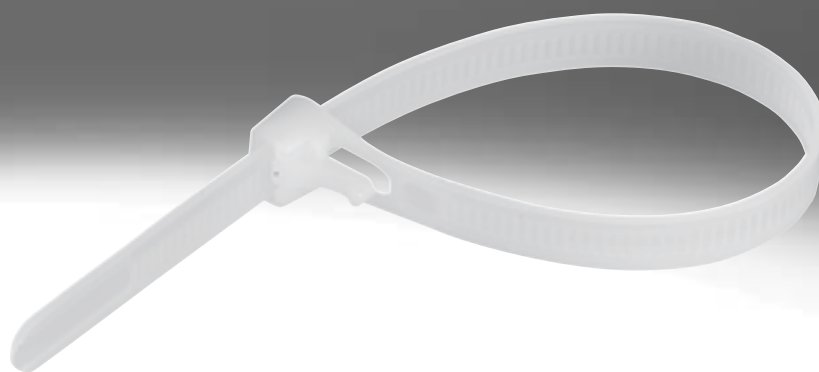


Tubing clips/straps

FESTO



Tubing clips/straps

Datasheet

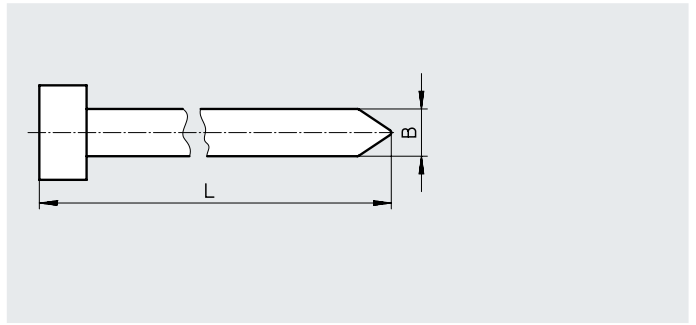
Tubing strap PB

For bundling tubing

Material: PA

Note on materials:
RoHS-compliant

LABS (PWIS) conformity;
VDMA24364-B2-L



Dimensions and ordering data

Size	Thickness [mm]	B [mm]	L [mm]	Product weight/piece [g]	Part no.	Type	PU ¹⁾
f. tube bundle Ø max. 30 mm	0.9	3.4	140	2	6741	PB-140	10
f. tube bundle Ø max. 45 mm	1.2	4.6	172	3	6742	PB-172	10
f. tube bundle Ø max. 100 mm	1.2	4.8	378	4	6743	PB-378	10

1) Packaging unit

Spiral wrap for tubing

PKB-50-BL

For bundling tubing

Colour: blue

Material: PE

Note on materials:
RoHS-compliant

LABS (PWIS) conformity;
VDMA24364-B2-L



Dimensions and ordering data

Size	O.D. [mm]	I.D. [mm]	Application information	Product weight by length [kg/m]	Part no.	Type	PU ¹⁾ [m]
f. tube bundle Ø max. 50 mm	6	4	60x 3 mm tubing 50x 4 mm tubing 28x 6 mm tubing 13x 9 mm tubing	0.0146	3656	PKB-50-BL	50

1) Packaging unit (tube length)

Datasheet

Tubing support PKS

For neatly installing tubing and preventing kinks

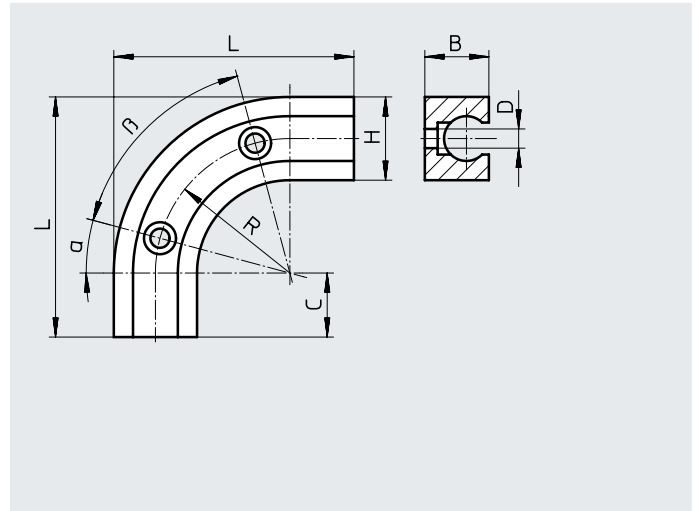
Number of clips: 1

Colour: blue

Housing material: PA
Pins material: Steel

Note on materials:
RoHS-compliant

LABS (PWIS) conformity;
VDMA24364-B2-L



Dimensions and ordering data												
Size	B	C	D	H	L	R	α	β	Weight/ piece [g]	Part no.	Type	PU ¹⁾
	[mm]	[mm]	[mm]	[mm]	[mm]	[mm]						
For tubing O.D. 6 mm	8	8	2	10	23	10	–	90°	2.5	4132	PKS-4	10
For tubing O.D. 5/16" For tubing O.D. 8 mm	10	10	3	13	37.5	21	15°	60°	5.4	4133	PKS-6	10
For tubing O.D. 10 mm For tubing O.D. 11.6 mm For tubing O.D. 3/8"	13.5	15	3	16.5	59	35.75	15°	60°	11.9	4134	PKS-9	10

1) Packaging unit

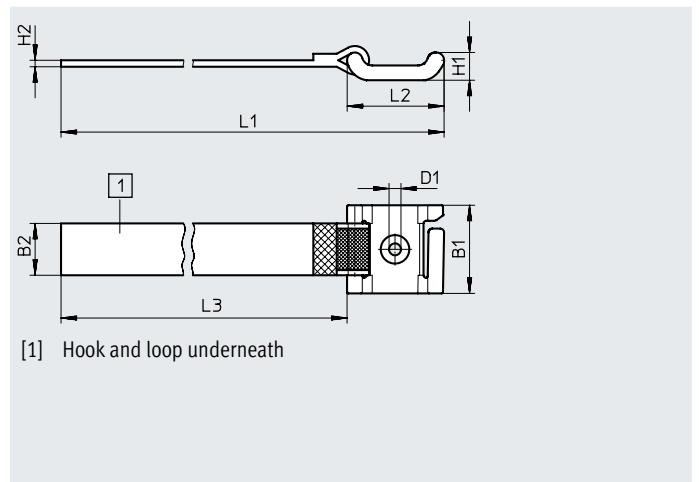
Tubing support NPAW

Reliable and stable fastener for guiding cables and tubing in electric and pneumatic installations in plant engineering and in heating, air-conditioning and ventilation technology.

Ambient temperature:
–30 ... +80°C

Note on materials:
RoHS-compliant

LABS (PWIS) conformity;
VDMA24364-B2-L



[1] Hook and loop underneath

Dimensions and ordering data												
Size	B1	B2	D1	H1	H2	L1	L2	L3	Product weight/piece [g]	Part no.	Type	PU ¹⁾
	±0.7 [mm]	±1.5 [mm]	[mm]	±0.3 [mm]	±0.5 [mm]	[mm]	+0.5/–1.5 [mm]	±5 [mm]				
f. tube bundle Ø max. 30 mm	34	20	4.6	10.7	2	122.5	30	92.5	6.7	554026	NPAW-S-T3	10
f. tube bundle Ø max. 50 mm	34	20	4.6	10.7	2	208.5	37	171.5	8.4	554027	NPAW-S-T4	10
f. tube bundle Ø max. 50 mm	34	20	4.6	10.7	2	216.5	45	171.5	9.6	554028	NPAW-S-T6	10

1) Packaging unit

Datasheet

Multi-tube holder KK

For securing tubing

Colour: blue

Housing material: PE

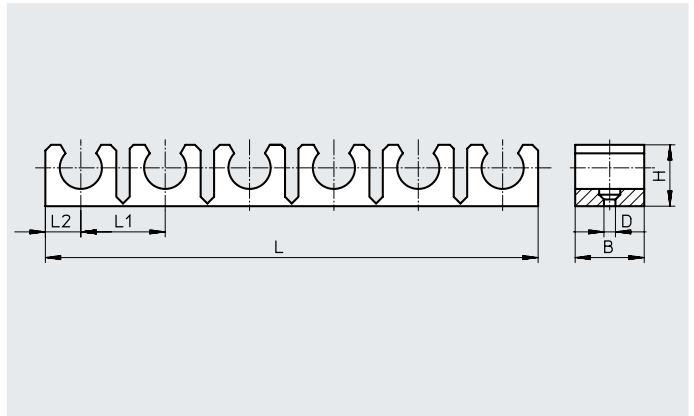
Pins material: Steel

Note on materials:

RoHS-compliant

LABS (PWIS) conformity;

VDMA24364-B2-L



Dimensions and ordering data

Size	Number of clips	B [mm]	D ∅ [mm]	H [mm]	L [mm]	L1 [mm]	L2 [mm]	Weight/ piece [g]	Part no.	Type	PU ¹⁾
For tubing O.D. 3/16" For tubing O.D. 4 mm For tubing O.D. 5/32"	10	12	2	9	98.6	10	4.3	8.5	3635	KK-3	10
For tubing O.D. 3/16" For tubing O.D. 6 mm	9	14	3	9	94	10.5	5	11.1	2147	KK-4	10
For tubing O.D. 5/16" For tubing O.D. 8 mm	10	14	3	11	142.5	14.5	6	17	2148	KK-6	10
For tubing O.D. 10 mm For tubing O.D. 11.6 mm For tubing O.D. 12 mm For tubing O.D. 3/8"	6	18	3	16	128.5	22	9.25	21.2	2149	KK-9	10
For tubing O.D. 16 mm For tubing O.D. 17.6 mm For tubing O.D. 5/8"	4	20	5	23	117	30	13.5	33.9	4463	KK-13	10

1) Packaging unit