

Operator unit CDSB

FESTO



Characteristics

At a glance

The operator unit CDSB-A1 from Festo is a plug-in display and operator unit for the servo drive CMMT and the automation system CPX-E. The integrated colour TFT display with touchscreen can be used both for operation and for simple diagnostics of the connected basic unit. User-friendliness is enhanced by error diagnostics with plain-text error messages.

When plugged in, the resistive touch screen can be used to set a range of parameters (depending on the basic unit). Diagnostic messages can be read and updates can be carried out.

In the unplugged state, the CDSB can be connected to a PC using a mini USB connection. The device is detected by the PC as a mass storage device, and firmware files can then be written to it.

Series

- Universal operation on a range of basic units (CMMT or CPX-E)
- Colour touchscreen
- Diagnostic function
- Update function for basic unit (when plugged in)
- Power is supplied by the respective basic unit

Device version

If the operator unit CDSB-A1 is plugged into the basic unit, the display will be activated:

- If there is no connection to the basic unit (yet), "Loading data" appears
- Following successful connection, the user interface of the basic unit or the first menu item of the basic unit will be displayed immediately
- Use the arrow keys to select a function within a menu level (e.g. diagnostics)
- Use the arrow keys to move from one menu level to another
- Fields that can be changed or that perform an action are highlighted in blue

Type code

001	Series	002	Device version
CDSB	Operator unit	A1	Standard version, plug-on, 4:3, 1.77"

Datasheet

General technical data

Area of application	Only with CMMT, CPX-E-CEC
Display characteristics	Touchscreen
Display	TFT colour
Display size	1.77"
Display resolution	128x160 pixels
Operational voltage range DC	4.5 ... 5.5 V
USB interface, connection technology	USB 2.0 type B mini
Max. cable length	3 m
User memory	3 GB

Technical data – mechanical

Product weight	36.6 g
Dimensions (W x L x H)	50 mm x 45 mm x 19.6 mm

Materials

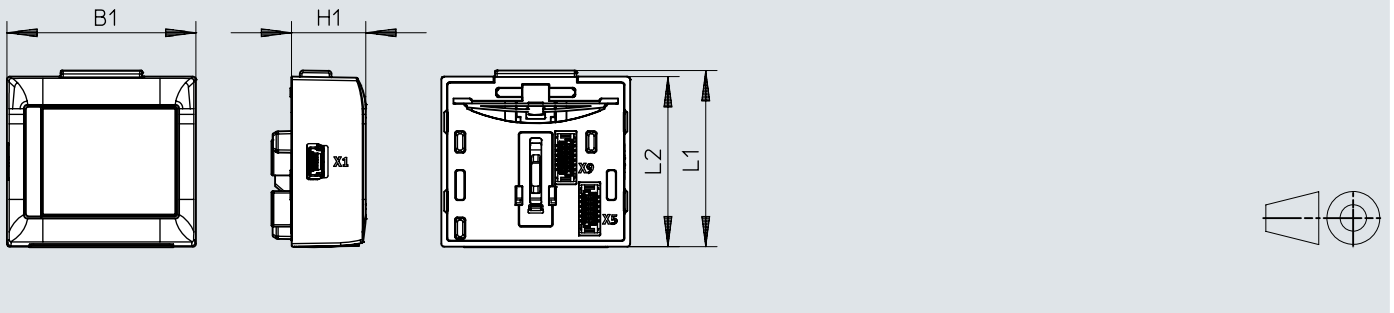
Material housing	PA6 reinforced
LABS (PWIS) conformity	VDMA24364 zone III
Note on materials	RoHS-compliant

Operating and ambient conditions

Ambient temperature	0 ... 60°C
Storage temperature	-20 ... 70°C
Relative air humidity	Max. 95% at 60°C Non-condensing
CE mark (see declaration of conformity)	To EU EMC Directive In accordance with EU RoHS Directive
CE marking (see declaration of conformity)	To UK instructions for EMC To UK RoHS instructions
Approval	RCM trademark
KC mark	KC-EMV
Degree of protection	IP20


Dimensions

Dimensions – Operator unit

Download CAD data → www.festo.com

	B1	H1	L1	L2
CDSB-A1	50	19,6	46,6	46

Ordering data

Ordering data				
	Area of application	Display characteristics	Part no.	Type
	Only with CMMT, CPX-E-CEC	Touchscreen	★ 8070984	CDSB-A1