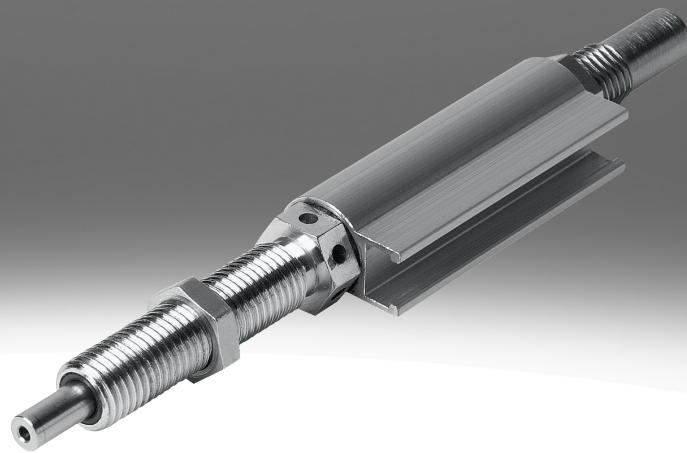


Shock absorber YSRWJ

FESTO



Characteristics

At a glance

Further information → [ysrwj](#)

- Self-adjusting, progressive, hydraulic shock absorbers
- Slowly increasing cushioning force curve
- Adjustable cushioning stroke
- End-position sensing with proximity switch
- Precision end-position adjustment
- Can be flexibly used in handling and assembly technology

Diagrams

Further information → [ysrwj](#)

The diagrams shown in this document are also available online. These can be used to display precise values.

Type code

001	Series
YSRWJ	Shock absorber

002	Size
5	5 mm
7	7 mm
8	8 mm

003	Stroke [mm]
8	8
10	10
14	14

004	Position sensing
A	For proximity sensor

Datasheet

General technical data

Size	5	7	8
Stroke	8 mm	10 mm	14 mm
Mode of operation	Single-acting, Pushing		
Cushioning	Self-adjusting, Soft characteristic curve		
Cushioning length	8 mm	10 mm	14 mm
Type of mounting	Via lock nut		
Position detection	Via proximity switch		
Max. impact speed	2 m/s	3 m/s	
Mounting position	optional		
Ambient temperature	0 ... 60°C		
Corrosion resistance class CRC ¹⁾	2 - Moderate corrosion stress		

1) Corrosion resistance class CRC 2 according to Festo standard FN 940070. Moderate corrosion stress. Indoor application where condensation may occur. External visible parts with primarily decorative surface requirements that are in direct contact with a normal industrial environment.

Reset time

Size	5	7	8
Reset time at room temperature ¹⁾	0.2 s		

1) The technical data provided refer to room temperature. At higher temperatures of around 80 °C, the max. mass and the cushioning energy must be reduced by approx. 50%. At 0 °C, the reset time may be up to 1 second.

Forces

Size	5	7	8
Max. stop force ¹⁾	200 N	300 N	500 N
Reset force ²⁾	1 N	1.7 N	3.5 N

1) The max. stop force must not be exceeded.

2) This is the maximum force that can act on the piston rod so that the shock absorber still extends completely.

Energy

Size	5	7	8
Max. energy consumption per stroke	1 J	2 J	3 J
Max. energy consumption per hour	10,000 J	15,000 J	21,000 J
Max. residual energy	0.01 J	0.02 J	

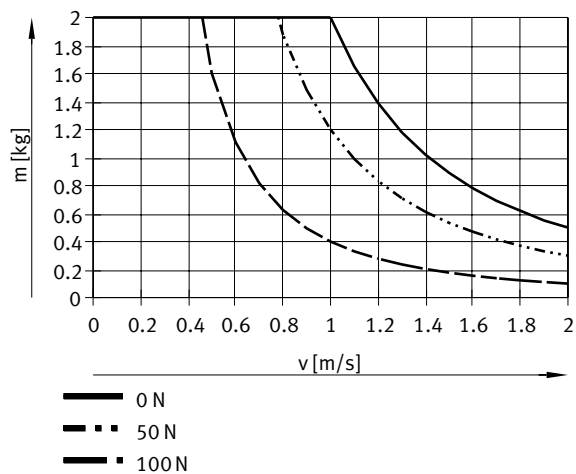
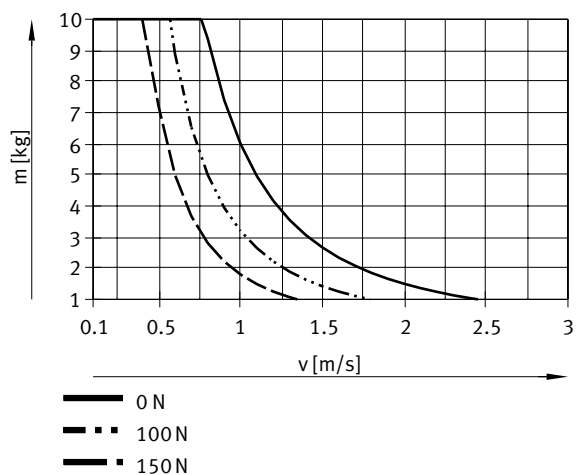
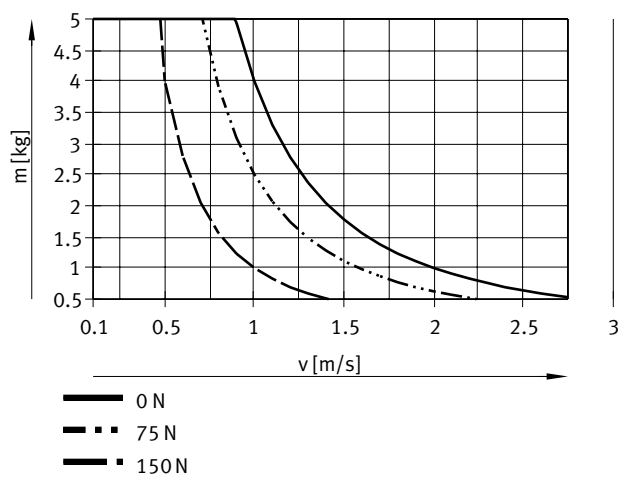
Weight

Size	5	7	8
Product weight	45 g	75 g	110 g

Materials

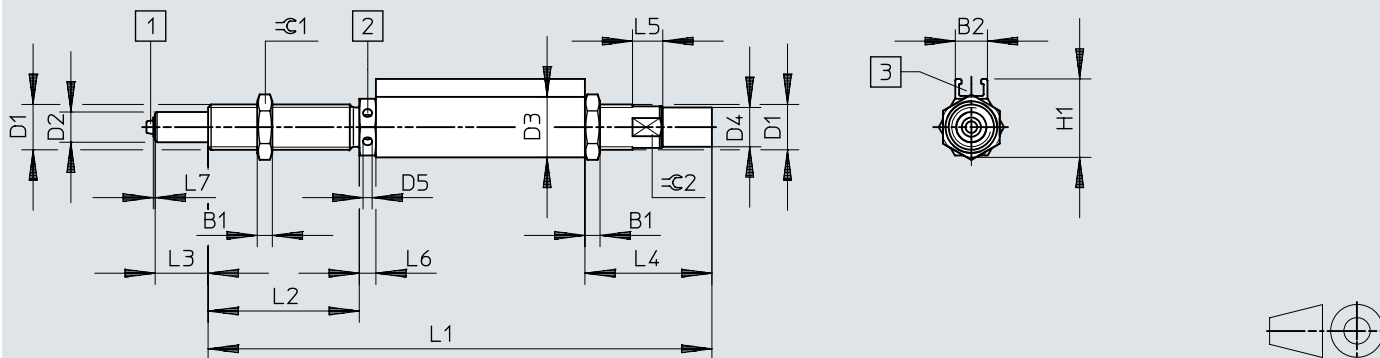
Size	5	7	8
Material housing	Brass, Nickel-plated		
Material piston rod	High-alloy steel		
Material seals	NBR		
LABS (PWIS) conformity	VDMA24364-B2-L		

Datasheet

Impact velocity v as a function of mass m – YSRWJ-5Impact velocity v as a function of mass m – YSRWJ-8Impact velocity v as a function of mass m – YSRWJ-7

Dimensions

Dimensions – YSRWJ

Download CAD data → www.festo.com

[1] Rubber buffer, only for sizes: YSRWJ-7-10-A and YSRWJ-8-14-A


[2] Precision end position adjustment

[3] Slot for proximity switch SME/SMT-8

	B1	B2	D1	D2	D3	D4	D5	H1
		+0,4			+0,1		+0,1	+0,3
YSRWJ-5-8-A	3	8,1	M8x1	4	12	6,7 ±0,05	2	16,5
YSRWJ-7-10-A	3,5	8,5	M10x1	6	14	8,6 ±0,05	2,4	18,3
YSRWJ-8-14-A	4	8,5	M12x1	8	16	10,4 ±0,1	2,4	20,75

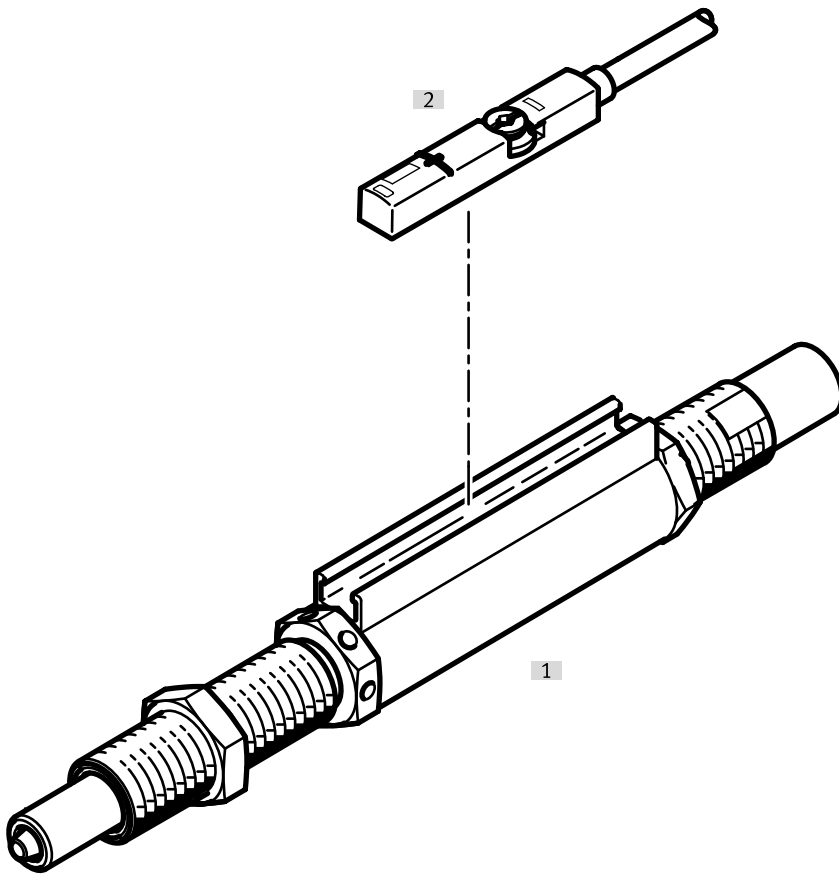
	L1	L2	L3	L4	L5	L6	L7	≅C1	≅C2
	+0,3/-0,1	+0,4		+0,45/-0,1	+0,5	+0,1/-0,55	+0,3		
YSRWJ-5-8-A	97,4	32,5	8 +0,7/-0,55	21,6	5	4,4	0,5	10	7
YSRWJ-7-10-A	144,8	40	10 +0,8/-0,55	21,1	6	4	0,5	13	9
YSRWJ-8-14-A	133,3	40	14 +0,8/-0,55	33,6	8	4,4	0,5	15	11

Ordering data

Ordering data					
	Size	Stroke	Cushioning	Part no.	Type
	5	8 mm	Self-adjusting, Soft characteristic curve	192968	YSRWJ-5-8-A
	7	10 mm		192967	YSRWJ-7-10-A
	8	14 mm		192966	YSRWJ-8-14-A

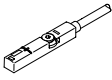
Peripherals

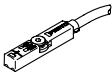
Peripherals overview YSRWJ

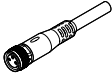


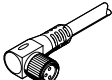
Accessories		→ Page/Internet
Type/order code	Description	
[1] Shock absorber YSRWJ	Hydraulic shock absorber with progressive cushioning characteristic. Cushioning length is adjustable	ysrwj
[2] Proximity switch SME/SMT	Sensing option for end positions	9

Accessories

Proximity switch SME for T-slot, magnetic reed							
	Type of mounting	Switching output	Electrical connection	Cable length	Part no.	Type	
	Screw-clamped, Insertable in the slot from above	3-wire N/O contact	Open end	2.5 m	543862	SME-8M-DS-24V-K-2,5-OE	
			Plug M8, A-coded	0.3 m	543861	SME-8M-DS-24V-K-0,3-M8D	
	Clamped in T-slot, Insertable in the slot lengthwise	None	Open end	2.5 m	150855	SME-8-K-LED-24	
				Plug M8, A-coded	0.3 m	150857	SME-8-S-LED-24
			N/C contact, 3-wire	Open end	7.5 m	160251	SME-8-O-K-LED-24

Proximity switch SMT for T-slot, magneto-resistive							
	Type of mounting	Switching output	Electrical connection	Cable length	Part no.	Type	
	Screw-clamped, Insertable in the slot from above	3-wire NPN N/O contact	Open end	2.5 m	★ 574338	SMT-8M-A-NS-24V-E-2,5-OE	
			Plug M8, A-coded	0.3 m	★ 574339	SMT-8M-A-NS-24V-E-0,3-M8D	
		3-wire PNP N/C contact	Open end	7.5 m	★ 574340	SMT-8M-A-PO-24V-E-7,5-OE	
				2.5 m	★ 574335	SMT-8M-A-PS-24V-E-2,5-OE	
		3-wire PNP N/O contact	Plug M8, A-coded	Open end	0.3 m	★ 574334	SMT-8M-A-PS-24V-E-0,3-M8D
					Plug M12, A-coded		★ 574337

Connecting cables NEBU, straight						
	Electrical connection 1, connector system	Electrical connection 2, connector system	Electrical connection 2, number of connections/cores	Cable length	Part no.	Type
	M8x1, A-coded, to EN 61076-2-104	Open end	3	2.5 m	541333	NEBU-M8G3-K-2.5-LE3
				5 m	541334	NEBU-M8G3-K-5-LE3

Connecting cables NEBU, angled						
	Electrical connection 1, connector system	Electrical connection 2, connector system	Electrical connection 2, number of connections/cores	Cable length	Part no.	Type
	M8x1, A-coded, to EN 61076-2-104	Open end	3	2.5 m	541338	NEBU-M8W3-K-2.5-LE3
				5 m	541341	NEBU-M8W3-K-5-LE3