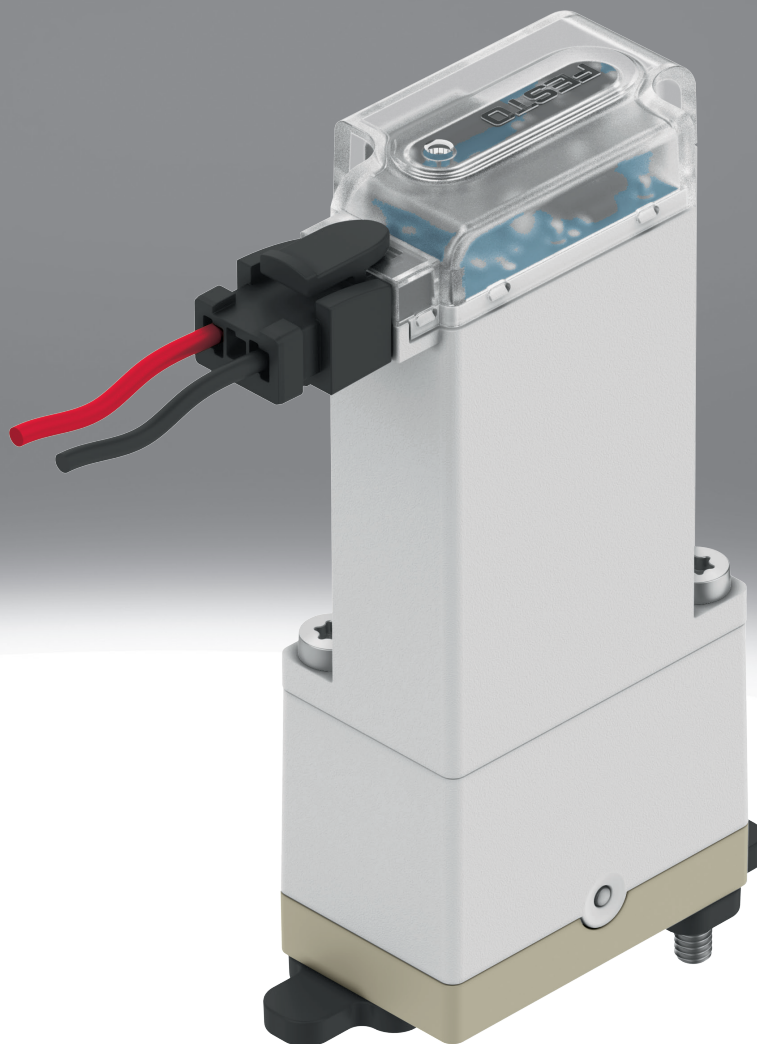


## Media separated solenoid valve VYKC

**FESTO**



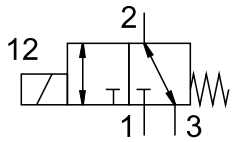
## Characteristics

### At a glance

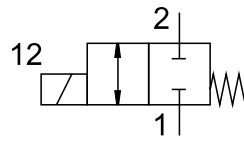
The media separated solenoid valve VYKC is intended to be mounted on laboratory devices. The product is used to control gaseous and liquid media within its technical data.

### Valve function

[32] 3/2-way valve



[M22C] 2/2-way valve, normally closed



## Type code

001	Series	
VYKC	Solenoid valve VYKC	
002	Directional control valve type	
F	Flanged valve	
003	Size	
16	Size 16	
004	Valve function	
M22C	2/2-way valve, normally closed	
M32	3/2-way valve, normally closed or open	

005	Nominal width	
20	2 mm	
006	Housing material	
P	PEEK	
007	Diaphragm and sealing material	
E	EPDM	
008	Electrical connection	
H2	Connection pattern H, horizontal plug	
009	Circuitry	
R	Holding current reduction with integrated protective circuit	

## Datasheet

General technical data		
Valve function	2/2-way, closed, monostable	3/2-way, monostable, open/closed
Size	16	
Design	Electrical connection at top Electrical connection at the side Rocker valve with diaphragm seal	Electrical connection at the side Rocker valve with diaphragm seal
Type of reset	Mechanical spring	
Nominal size	2 mm	
Fluid connection	Flange	
Flow rate Kv	0.048 m <sup>3</sup> /h	0.046 m <sup>3</sup> /h
Internal volume	110 µl valve with fl. conn. 89 µl fluid chamber valve	59 µl fluid chamber valve 94 µl valve with fl. conn.
Sealing principle	Soft	
Flow direction	Reversible with restrictions	
Type of actuation	Electric	
Type of piloting	Direct	
Manual override	None	
Type of mounting	With through-hole for M2.5 screw	
Mounting position	optional	
Degree of protection	IP40	
Corrosion resistance class CRC <sup>1)</sup>	0 - No corrosion stress	
Product weight	50 g	

1) More information: [www.festo.com/x/topic/crc](http://www.festo.com/x/topic/crc)

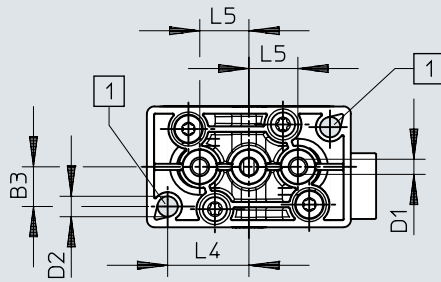
Operating and environmental conditions	
Medium	Liquid media Gaseous media
Note on the medium	Observe resistance of materials that come into contact with the media Maximum particle size 5 µm
Media temperature	0 ... 50°C
Media temperature for fluids	0 ... 50°C
Ambient temperature	0 ... 50°C
Storage temperature	-20 ... 70°C
Medium pressure	-0.75 ... 2 bar

Materials	
Material in contact with the medium	EPDM PEEK
Material housing	PEEK
Material membrane	EPDM
Material seals	EPDM
Note on materials	RoHS-compliant

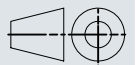
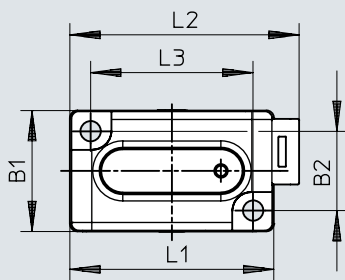
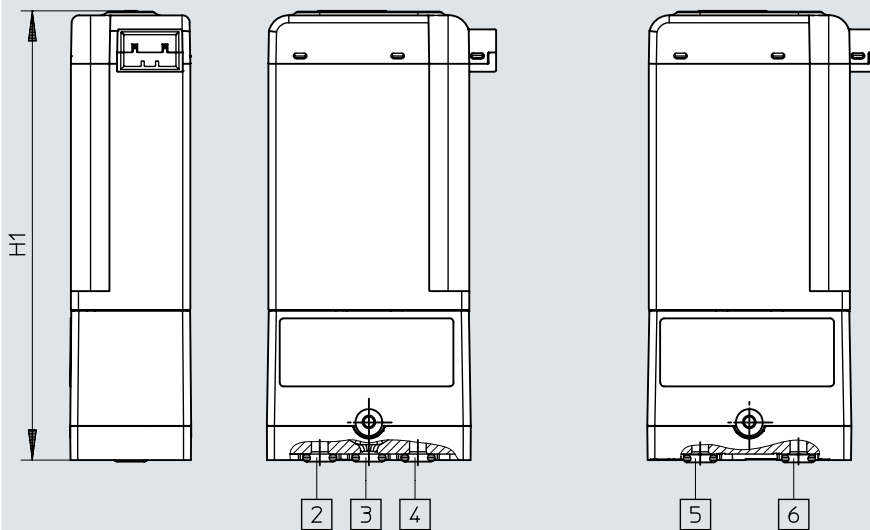
Electrical data	
Operational voltage range DC	12 V, 24 V
Permissible voltage fluctuations	+/- 10%
Electrical connection 1, connection type	Cable with plug
Electrical connection 1, connector system	Connection pattern H
Characteristic coil data	12 - 24 V DC: low-current phase 0.26 W, high-current phase 0.63 W
Duty cycle	100% 100% in conjunction with holding current reduction Observe the notes on operating the solenoid valves.

## Dimensions

## Dimensions – Solenoid valve VYKC

Download CAD data → [www.festo.com](http://www.festo.com)

VYKC-F16-M22C-...



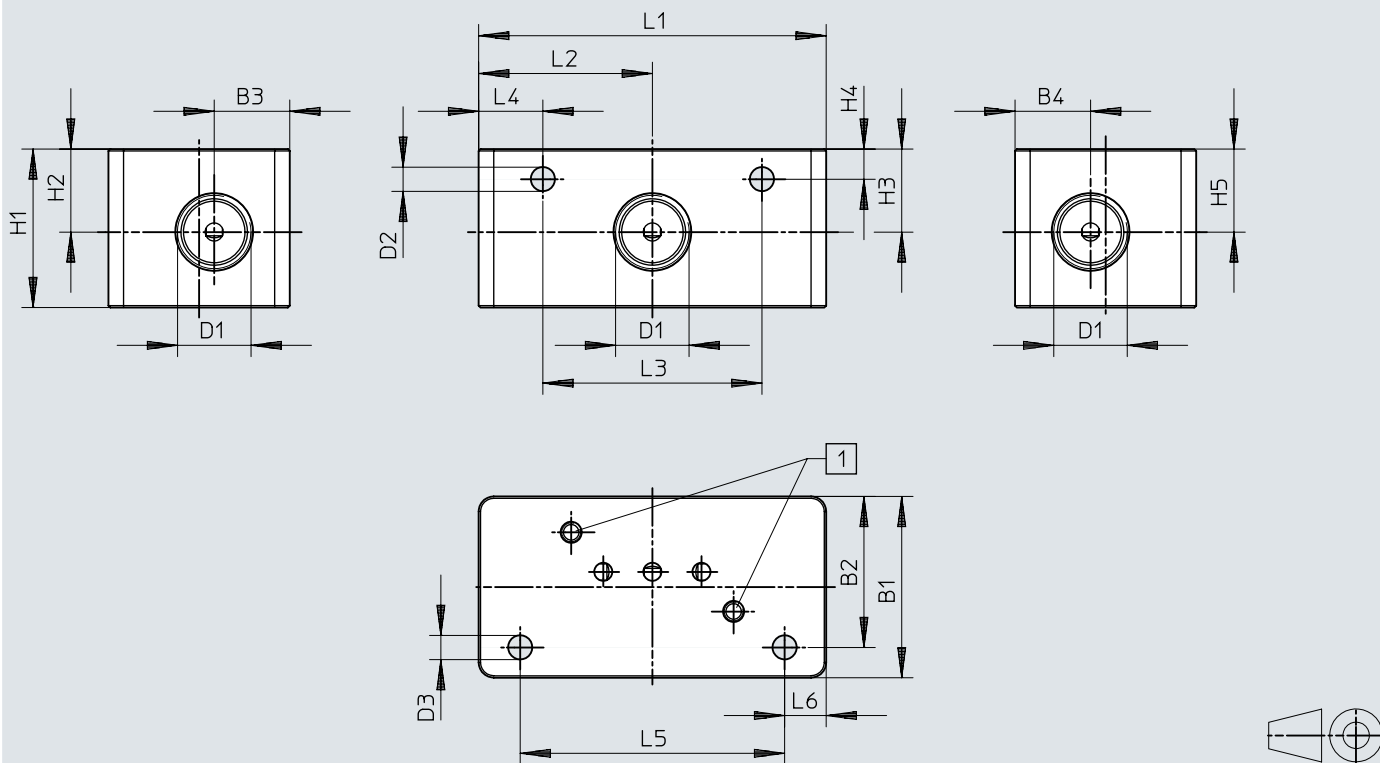
- [1] Mounting holes. Screws enclosed for M2.5 thread
- [2] Connection NO
- [3] Connection COM
- [4] Connection NC
- [5] Connection IN
- [6] Connection OUT

	B1	B2	B3	D1 ∅	D2 ∅	H1	L1	L2	L3	L4	L5
	±0,3					±0,4	±0,3	±0,4			
VYKC-F16-M32-20-PE-H2R	16	10,5	5,3	2,2	2,7	59,5	27	30,3	21,5	10,8	6,5
VYKC-F16-M32-20-PE-H2											
VYKC-F16-M22C-20-PE-H2R											
VYKC-F16-M22C-20-PE-H2											

## Dimensions

Dimensions – Manifold rail VABS-K2-16S


Download CAD data → [www.festo.com](http://www.festo.com)



[1] Mounting holes: M2.5 thread (depth 6.5 mm)

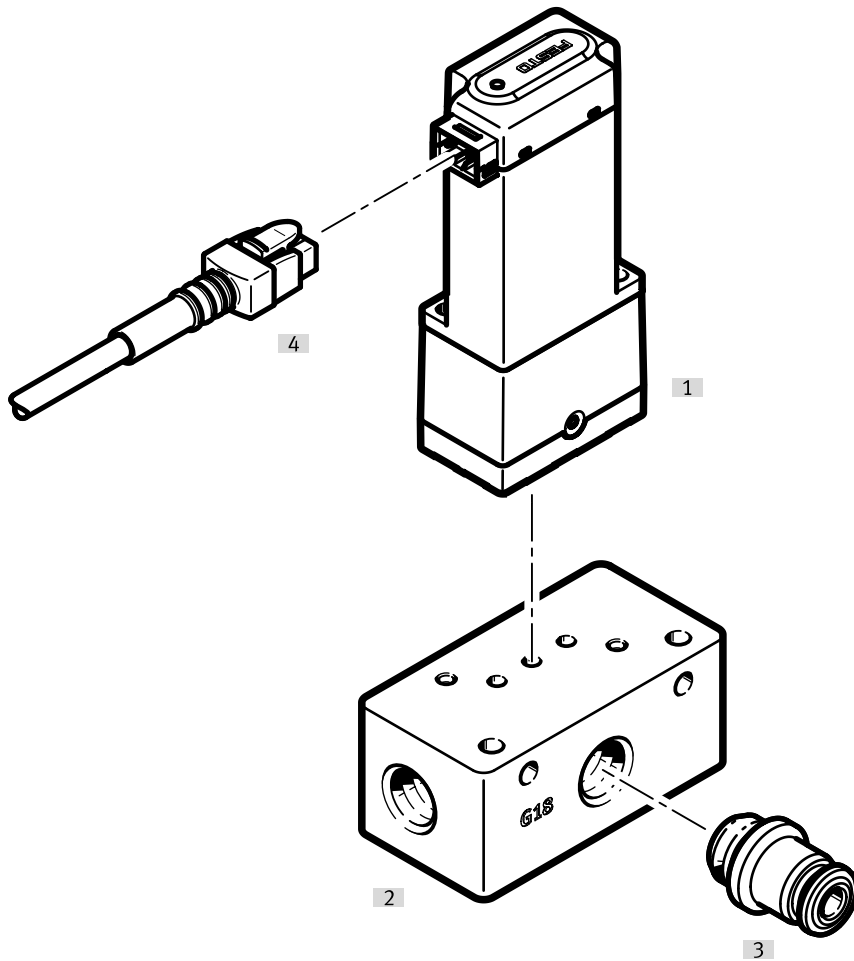
	B1	B2	B3	B4	D1 ø	D2 ø	D3 ø	H1	H2
VABS-K3-16S-20-G18-P	24	20	10	10	G1/8	3,2	3,2	21	11
VABS-K3-16S-20-N18-P					NPT1/8-27				
	H3	H4	H5	L1	L2	L3	L4	L5	L6
VABS-K3-16S-20-G18-P	11	4	11	46	23	29	8,5	35	5,5
VABS-K3-16S-20-N18-P									

## Ordering data

Solenoid valve VYKC			
	Valve function	Part no.	Type
	2/2-way, closed, monostable	8172734	VYKC-F16-M22C-20-PE-H2
		8172719	VYKC-F16-M22C-20-PE-H2R
	3/2-way, monostable, open/closed	8172698	VYKC-F16-M32-20-PE-H2R
		8172707	VYKC-F16-M32-20-PE-H2

## Peripherals

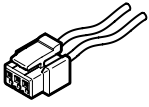
### Peripherals overview

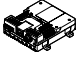


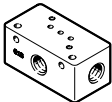
Accessories			→ Page/Internet
Type/order code	Description		
[1]	Solenoid valve	VYKC	–
[2]	Manifold rail	VABS-K3	9
[3]	Fitting	NPQR-DK-G18-...	9
[4]	Connecting cable	NEBV-H1G2-KN-...	9




## Accessories

Connecting cable						
	Electrical connection 1, connection type	Electrical connection 1, cable outlet	Electrical connection 1, connector system	Cable length	Part no.	Type
	Socket	Straight	Connection pattern H	0.5 m	★ 566654	NEBV-H1G2-KN-0.5-N-LE2
					★ 566658	NEBV-H1G2-P-0.5-N-LE2
				1 m	★ 566659	NEBV-H1G2-P-1-N-LE2
					★ 566655	NEBV-H1G2-KN-1-N-LE2
				2.5 m	★ 566660	NEBV-H1G2-P-2.5-N-LE2
					566657	NEBV-H1G2-KN-5-N-LE2
5 m	566661	NEBV-H1G2-P-5-N-LE2				

Valve control module					
	Communication interface, connection type	Communication interface, connection technology	Communication interface, number of pins/wires	Part no.	Type
	Socket	M8x1, A-coded according to EN 61076-2-104	4	8088772	VAEM-V-S8EPRS2

Manifold rail				
	Fluid connection		Part no.	Type
	Female thread 1/8 NPT		8186872	VABS-K3-16S-20-N18-P
	Female thread G1/8		8186873	VABS-K3-16S-20-G18-P

Fitting					
	Nominal size	Pneumatic connection, port 1	Pneumatic connection, port 2	Part no.	Type
	2.6 mm	Male thread G1/8	For tubing outside diameter of 4 mm	8085661	NPQR-DK-G18-Q4
	4.2 mm		For tubing outside diameter of 6 mm	8085662	NPQR-DK-G18-Q6
	5.3 mm		For tubing outside diameter of 8 mm	8085663	NPQR-DK-G18-Q8
			For tubing outside diameter of 10 mm	8087695	NPQR-DK-G18-Q10