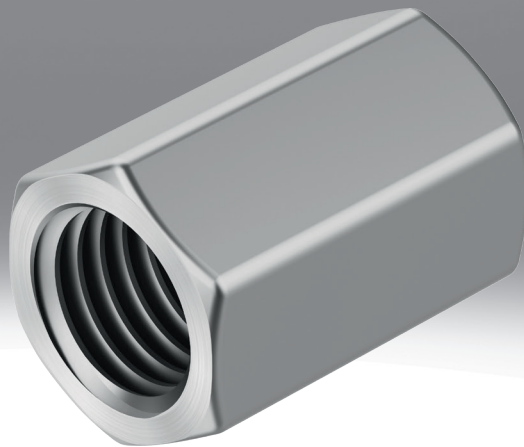


Sleeve QM

FESTO



Characteristics

At a glance

For connecting pneumatic components with different threaded connections.

Datasheet

General technical data

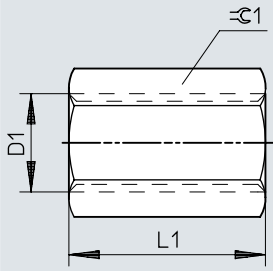
Pneumatic connection, port 1	G1/8	G1/4	G3/8	G1/2	G3/4	G1	Female thread M5
Pneumatic connection, port 2	G1/8	G1/4	G3/8	G1/2	G3/4	G1	Female thread M5

Materials

Material sleeve	Anodised wrought aluminium alloy
Note on materials	RoHS-compliant
LABS (PWIS) conformity	VDMA24364-B1/B2-L


Dimensions

Dimensions – Sleeve QM

Download CAD data → www.festo.com

	D1	L1	±0.1
QM-M5-M5	M5	12	7
QM-1/8-1/8	G1/8	22	13
QM-1/4-1/4	G1/4	26	17
QM-3/8-3/8	G3/8	32	22
QM-1/2-1/2	G1/2	36	27
QM-3/4-3/4	G3/4	36	32
QM-1-1	G1	40	41

Ordering data

Ordering data						
	Short type code	Pneumatic connection, port 1	Pneumatic connection, port 2	Product weight	Part no.	Type
	QM	G1/8	G1/8	6 g	2254	QM-1/8-1/8
		G1/4	G1/4	9 g	2255	QM-1/4-1/4
		G3/8	G3/8	19 g	2256	QM-3/8-3/8
		G1/2	G1/2	31 g	2257	QM-1/2-1/2
		G3/4	G3/4	36 g	4226	QM-3/4-3/4
		G1	G1	80 g	9968	QM-1-1
		Female thread M5	Female thread M5		3560	QM-M5-M5