

Self-assembly plugs, for valves

Product range overview



Function	Version	Type	Connection technology (Electrical connection 2)	Permissible cable diameter	→ Page/ Internet
Self-assembly plugs	Electrical connection 1: socket M18x1				
	4-pin	NTSD	Screw terminal	6 ... 8 mm 5 ... 11 mm	2
	Electrical connection 1: plug M12x1				
	5-pin	NTSD-...-RK	Screw terminal	6 ... 8 mm	4

Self-assembly plugs for valves, socket M18x1

Technical data

Plug socket NTSD

- Self-assembly plugs for power supply
- Can be self-assembled on one side
- Socket M18x1, 4-pin



General technical data		
Mounting position	Any	
Technical data – Electrical connection 1		
Connection type	Socket	
Design	Round	
Cable outlet	Straight, angled	
Number of pins/wires	4	
Type of mounting	Via union nut	
Technical data – Electrical connection 2		
Connection technology	Screw terminal	
Number of pins/wires	4	
Technical data – Electrical components		
Operating voltage range	[V AC]	≤250
Current rating	[A]	16
Materials		
Housing	PBT	
Housing colour	Black	
Pin contacts	Brass	
	Copper alloy	
Operating and environmental conditions		
Ambient temperature	[°C]	-5 ... +50
Storage temperature	[°C]	-20 ... +70
Degree of protection	IP67	

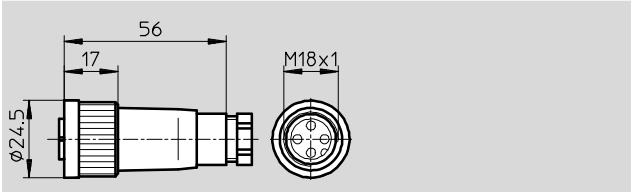
Self-assembly plugs for valves, socket M18x1

Technical data

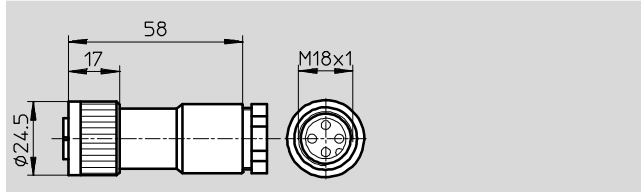
Dimensions

Download CAD data → www.festo.com

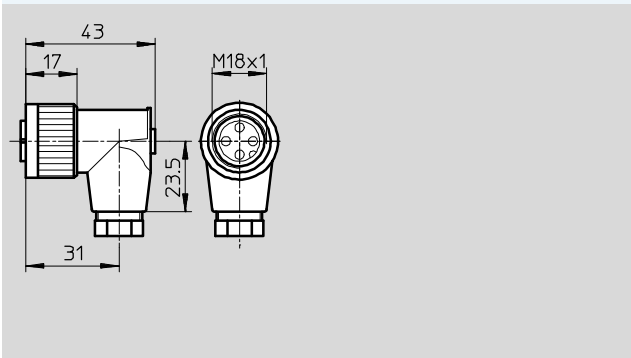
NTSD-GD-9



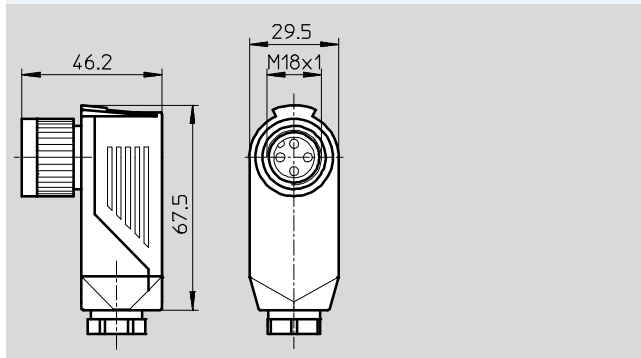
NTSD-GD-13,5



NTSD-WD-9



NTSD-WD-11



Ordering data

Electrical connection 1	Connection cross section [mm ²]	Permissible cable diameter [mm]	Cable connector	Cable outlet	Weight [g]	Part no.	Type
Socket M18x1, 4-pin	1.5	6 ... 8	Pg9	Straight	25	18493	NTSD-GD-9
		6 ... 8	Pg9	Angled	30	18527	NTSD-WD-9
	2.5	6 ... 8	Pg13	Straight	31	18526	NTSD-GD-13,5
		5 ... 11	Pg11	Angled	34	533119	NTSD-WD-11

Self-assembly plugs for valves, Plug M12x1

Technical data

FESTO

Plug socket NTSD

- Self-assembly plugs for power supply
- Can be self-assembled on one side
- Plug M12x1, 5-pin



Technical data – Electrical connection 1	
Connection type	Plug
Design	Round
Cable outlet	Straight
Number of pins/wires	5

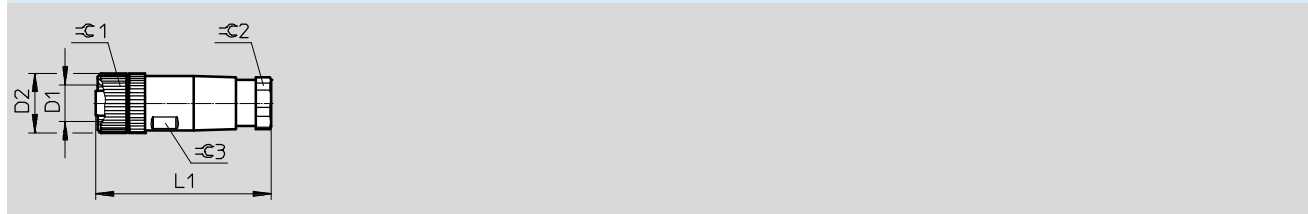
Technical data – Electrical connection 2	
Connection technology	Screw terminal
Number of pins/wires	5

Technical data – Electrical components		
Current rating	[A]	3

Materials	
Housing	PA
Housing colour	Black
Note on materials	RoHS-compliant

Operating and environmental conditions		
Ambient temperature	[°C]	-40 ... +85
Degree of protection		IP67

Dimensions Download CAD data → www.festo.com



	D1	D2	L1	ø1	ø2	ø3
NTSD-GD-9-M12-5POL-RK	M12x1	20	56	18	16	17

Ordering data							
Electrical connection 1	Connection cross section [mm²]	Permissible cable diameter [mm]	Cable connector	Cable outlet	Weight [g]	Part no.	Type
Plug M12x1, 5-pin	0.75	6 ... 8	-	Straight	-	538999	NTSD-GD-9-M12-5POL-RK