

## Push-in fittings NPQE

**FESTO**



## Key features

### Application



Choosing the right fitting is effortless. With a system that includes well over 1000 types of standard and function fittings, Festo offers a secure solution for every connection.

### Overview of tubing/fitting combinations

Applications	Fitting	Tubing	Description
Standard	QS	PUN-H	Maximum flexibility in standard applications thanks to an extremely wide range of options for combining the different types.
	NPQE	PUN-H	Low-cost and versatile combination for standard applications
	QS	PAN	Meets all requirements, even for standard applications with increased pressure and temperature ranges.
	QS	PEN	Suitable for a wide range of tasks and attractively priced. Flexible thanks to highly resistant materials, easy to install thanks to optimised bending radii. High level of abrasion resistance in dynamic applications.
High pressures	NPQM	PAN-MF	Meets DIN standard 73378: ideal for use in mobile pneumatics. Suitable for increased temperature ranges combined with high pressure ranges.
	NPQH	PAN-R	Powerful in pressure ranges up to 20 bar, for example in applications with the pressure booster DPA.
Resistant to chemicals and hydrolysis, food-safe	NPQP	PLN	Resistant to cleaning agents, FDA-compliant and economical. Can be used instead of the combination with stainless steel fittings.
	NPKA	PUN-H	Hydrolysis-resistant and suitable for water applications. Combination suitable for use in clean rooms, FDA-compliant and corrosion resistant as made from 100% polymer. Very easy to install with the "one click principle".
	NPQH	PFAN/PTFEN	For high temperatures up to 150°C. Food-safe, FDA-compliant and resistant to cleaning agents.
	NPCK	PFAN/PTFEN	Easy to clean thanks to the union nut's edge-free design. Maximum corrosion resistance (CRC 4) and FDA-compliant. Suitable for a wide range of media.
	CRQS	PFAN/PTFEN	Maximum corrosion resistance (CRC 4) and maximum resistance to aggressive acids and alkalis.
Resistant to chemicals and hydrolysis	NPQR	PFAN/PTFEN	Optimised design, fewer edges where dirt can collect – all at an attractive price. For high temperatures up to 150°C. Pressure range up to 16 bar. Highest level of corrosion resistance (CRC 4).
Antistatic	NPQM	PUN-CM	Antistatic tubing plus solid metal fitting: maximum protection for electrical and electronic components.
Flame-retardant	NPQM	PUN-V0	Very safe in areas where there is a risk of fire with its flame-retardant properties. The tubing has been tested to DIN 5510-2.
Resistant to welding spatter	NPQH	PUN-V0-C	Ideal for applications involving welding spatter. Reliable thanks to a tubing wall thickness of 2 mm for all diameters.
	QS-V0	PAN-V0	Safe even in the close vicinity of welding spatter with the double-walled tubing with special fitting.

## Key features

## Push-in fittings product range

QSM, mini series

Datasheets → Internet: qsm



Miniature push-in fittings for maximum component density in confined spaces. For pneumatic applications with a temperature range up to 80°C and a pressure range up to 14 bar. Tubing O.D. of 2, 3, 4 and 6 mm with connecting threads M3, M5, M6, M7, R1/8 and G1/8.

QS, standard series

Datasheets → Internet: qs



Wide selection of push-in fittings for pneumatic applications with a temperature range up to 80°C and a pressure range up to 14 bar. Tubing O.D. 4, 6, 8, 10, 12, 16 and 22 mm with connecting threads R1/8 ... R1/2 and G1/8 ... G3/4.

CRQS, stainless steel

Datasheets → Internet: crqs



Stainless steel push-in fitting. High corrosion resistance CRC 4 and chemical resistance with approval for use in the food and packaging industry. For pneumatic applications with a temperature range up to 120°C and a pressure range up to 10 bar. Tubing O.D. 4, 6, 8, 10, 12 and 16 mm with connecting threads M5 and R1/8 ... R1/2.

QS-V0, resistant to welding spatter

Datasheets → Internet: qs-v0



Flame-retardant push-in fitting for use in all areas where there is a risk of fire, for example welding systems in the automotive industry, and in the construction industry. For pneumatic applications with a temperature range up to 60°C and a pressure range up to 10 bar. Tubing O.D. 4, 6, 8, 10 and 12 mm with connecting thread R1/8 ... R1/2 and G1/8 ... G1/2.

NPQE

Datasheets → Internet: npqe



Low-cost push-in fittings for pneumatic applications with a temperature range up to 60°C and a pressure range up to 8 bar. Tubing O.D. of 3, 4, 6, 8, 10, 12, 14 and 16 mm with connecting threads M3, M5, M7 and R1/8 ... R1/2.

NPQH

Datasheets → Internet: npqh



All metal push-in fitting made of chemically nickel-plated brass. High corrosion resistance CRC 3 and chemical resistance. For pneumatic applications with a temperature range up to 150°C and a pressure range up to 20 bar. Tubing O.D. 4, 6, 8, 10, 12 and 14 mm with connecting thread M5, M7 and G1/8 ... G1/2.

NPQM

Datasheets → Internet: npqm



Attractively priced metal push-in fitting for pneumatic applications with a temperature range up to 70°C and a pressure range up to 16 bar. Tubing O.D. 3, 4, 6, 8, 10, 12 and 14 mm with connecting thread M5, M7 and G1/8 ... G1/2.

NPQP

Datasheets → Internet: npqp



Polypropylene fitting for use in applications with extreme media influences. For pneumatic applications with a temperature range up to 60°C and a pressure range up to 10 bar. Tubing O.D. 4, 6, 8, 10 and 12 mm with connecting threads R1/8 ... R1/2.

## Key features

### Push-in fittings product range

NPQR, stainless steel

Datasheets → Internet: npqr



Stainless steel push-in fitting. Maximum corrosion resistance CRC 4 and chemical resistance. For pneumatic applications with a temperature range up to 150°C and a pressure range up to 16 bar.

Tubing O.D. of 4, 6, 8, 10 and 12 mm with connecting thread M5, M7 and G1/8 ... G1/2.

### Functional push-in fittings product range

QSK,  
push-in fitting, self-sealing

Datasheets → Internet: qsk



Push-in fitting that blocks the air flow after the tubing is disconnected. For pneumatic applications with a temperature range up to 60°C and a pressure range up to 14 bar.

Tubing O.D. 4, 6, 8, 10 and 12 mm with connecting threads M5, R1/8 ... R1/2 and G1/8 ... G1/2.

QSR,  
push-in fitting, rotatable

Datasheets → Internet: qsr



Push-in fitting with swivel connection, rotatable by 360°. The ball bearing enables rotating movements in the application up to max. 500 rpm. For pneumatic applications with a temperature range up to 60°C and a pressure range up to 14 bar.

Tubing O.D. 4, 6, 8, 10 and 12 mm with connecting threads M5, R1/8 ... R1/2 and G1/8 ... G1/2.

### Quick connectors product range

NPCK

Datasheets → Internet: npck



Stainless steel fitting for use in areas subject to intensive cleaning. Highest level of corrosion resistance CRC 4. For pneumatic applications with a temperature range up to 120°C and a pressure range up to 12 bar.

Tubing O.D. of 4, 6, 8 and 10 mm with connecting threads M5 and G1/8 ... G3/8.

### Click fittings product range

NPKA

Datasheets → Internet: npka



Plastic fitting for easy installation with one hand. Hydrolysis-resistant, FDA-compliant and easy to clean. For pneumatic applications with a temperature range up to 60°C and a pressure range up to 10 bar.

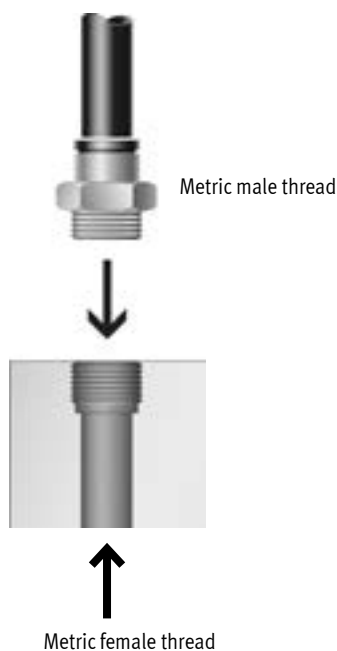
Tubing O.D. of 6 mm with connecting thread G1/8.

## Key features

### Which fitting fits which thread?

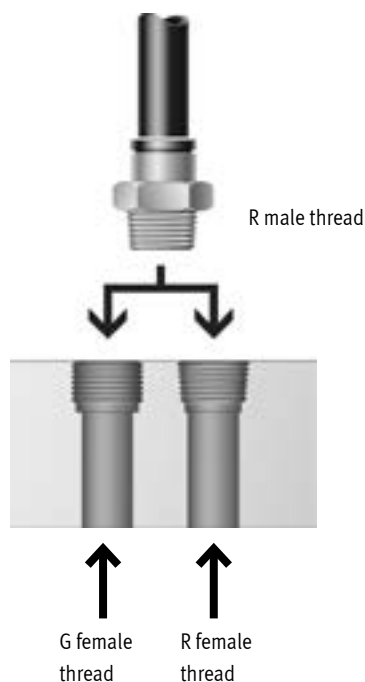
#### Metric thread

- Threads are comparable with G threads and are fitted as cylindrical metric thread
- Sealing is guaranteed via an O-ring.



#### R thread based on JIS B0203 and compatible with pressure-tight media to EN 10226

- Self-sealing thread
- Sealing via coated threads
- No additional sealing surface required
- Smaller installation dimensions since there is no need for an offset for the sealing surface
- Can be reused up to 3 times.



#### Note

All R threads are coated with a sealing material. This coating replaces the conventional sealing ring. Simply screw in the R thread by hand and tighten 1 or 2 revolutions with an open-end spanner. The fitting can be screwed in again up to three times.

When screwing in R threads several times, you must make sure that the abraded particles from the sealing material coating cannot enter the compressed air system.

### Tube mounting/dismounting

#### Mounting

The prerequisite for ensuring that the inside seal is securely held and protected against damage is that the tube is cut into straight lengths and deburred.

- 1) Insert tubing as far as the stop.  
It is important to ensure that the tubing is inserted into the inner seal. Depending on the tolerance between the tubing and the seal, the contact of the tubing with the seal may be wrongly interpreted as the stop.
- 2) Check that the tubing connection is secure by pulling gently on the tube.

#### Dismounting

- 1) The tubing can be detached easily by pressing and holding down the releasing ring. Remove the tubing carefully from the fitting.
- 2) Before re-using the tubing, remove the damaged part by cutting it off.

## Technical data

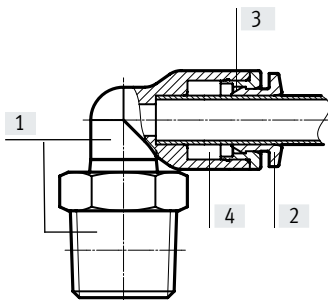
General technical data	
Design	Push-pull principle
Mounting position	Any
Type of seal on screwed trunnion	Sealing ring for M thread Coating for R thread
Nominal tightening torque [Nm]	0.3 ±5% for M3 male thread 0.8 ±5% for M5 male thread 2 ±5% for M7 male thread

Operating and environmental conditions	
Operating pressure for entire temperature range	[MPa] -0.095 ... 0.8 [bar] -0.95 ... 8 [psi] -13.775 ... 116
Operating medium	Compressed air to ISO 8573-1:2010 [7:4:4]
Note on the operating/pilot medium	Lubricated operation possible
Ambient temperature	[°C] -5 ... +60
Corrosion resistance class CRC <sup>1)</sup>	1

1) More information: [www.festo.com/x/topic/kbk](http://www.festo.com/x/topic/kbk)

## Materials









### Sectional view



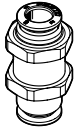





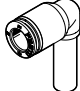
Type	Push-in fitting NPQE-D, Push-in bulkhead connector NPQE-H	Push-in fitting NPQE-L/NPQE-LH/ NPQE-LL/NPQE-T/ NPQE-LQ/ NPQE-LT/NPQE-Y	Push-in connector NPQE-D/NPQE-L/ NPQE-T/NPQE-Y/ NPQE-X, Push-in cap NPQE-P	Push-in sleeve NPQE-D, Blanking plug NPQE-P, Safety clip NPAP-QE
[1] Housing	Nickel-plated brass -	PBT	-	-
[2] Releasing ring	POM (colour: blue)	-	-	-
[3] Tube clamping segment	Stainless steel	-	-	-
[4] Tubing seal	NBR	-	-	-
- Thread seal	NBR for M thread PTFE for R thread	-	-	-
- O-ring	NBR for M thread	-	-	-
Note on materials	RoHS-compliant			
PWIS conformity	VDMA24364 zone III			
Cleanroom class	Class 4 to ISO 14644-1 <sup>1)</sup>			

1) Blanking plug NPQE-P, safety clip NPAP-QE: Element installed statically, no meaningful evaluation possible according to ISO 14644-1

Product range overview

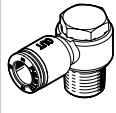
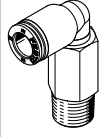
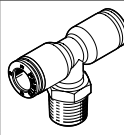
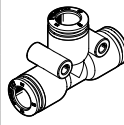
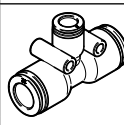
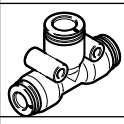
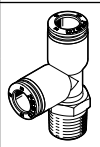
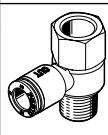
Design	Version	Type	Connection D1					Connection D2		→ Page/ Internet	
			M thread	R thread	G thread	Tubing O.D.	Push-in sleeve Ø	Tubing O.D.	Push-in sleeve Ø		
Straight shape	<b>Push-in fitting – male thread with external hex</b>										
		NPQE-D	M3	-	-	-	-	3, 4	-	11	
			M5					3, 4, 6			
			M7					4, 6			
			-					R1/8			4, 6, 8, 10, 12
								R1/4			4, 6, 8, 10, 12
								R3/8			6, 8, 10, 12, 14, 16
			R1/2	6, 8, 10, 12, 14, 16							
	<b>Push-in fitting – female thread with external hex</b>										
		NPQE-D	M5	-	-	-	-	3, 4	-	12	
			-					G1/8			4, 6, 8, 10
								G1/4			4, 6, 8, 10, 12
								G3/8			6, 8, 10, 12
								G1/2			12, 16
	<b>Push-in fitting – Male thread with internal hex</b>										
		NPQE-DK	M3	-	-	-	-	3, 4	-	13	
	M5		3, 4, 6								
	M7		4, 6								
	-		G1/8					4, 6, 8, 10			
			G1/4					6, 8, 10, 12			
<b>Push-in connector</b>											
	NPQE-D	-	-	-	3	-	3	-	14		
					4		4				
					6		6				
					8		8				
					10		10				
					12		12				
					14		14				
	16	16									
	NPQE-D Reducing	-	-	-	4	-	3	-	14		
					6		4				
					8		4, 6				
					10		6, 8				
					12		8, 10				
					14		10, 12				
<b>Push-in connector with push-in sleeve</b>											
	NPQE-D	-	-	-	3	-	-	4	15		
					4			6, 8			
					6			8, 10, 12			
					8			10, 12			
					10			12			
<b>Push-in sleeve</b>											
	NPQE-D	-	-	-	-	4	-	4	16		
						6		6			
						8		8			
						10		10			
						12		12			
						16		16			
	NPQE-D Reducing	-	-	-	-	6	-	4	16		
						8		6			
						10		8			
						12		8, 10			
						16		12			

Product range overview

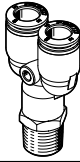
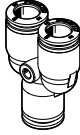
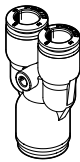
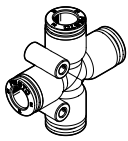

Design	Version	Type	Connection D1				Connection D2			→ Page/ Internet									
			M thread	R thread	G thread	Tubing O.D.	Push-in sleeve ø	Tubing O.D.	Push-in sleeve ø										
Bulkhead		NPQE-H	-	-	-	3	-	3	-	17									
						4		4											
						6		6											
						8		8											
						10		10											
						12		12											
Blanking plug		NPQE-P	-	-	-	-	-	-	-	17									
						3													
						4													
						6													
						8													
						10													
	12																		
	16																		
		NPQE-P	-	-	-	3	-	-	-	18									
						4													
						6													
						8													
10																			
12																			
L-shape		NPQE-L	M3	-	-	-	-	3, 4	-	19									
			M5					3, 4, 6											
			M7					4, 6											
			-					R1/8			4, 6, 8, 10, 12								
			-					R1/4			4, 6, 8, 10, 12								
			-					R3/8			6, 8, 10, 12, 14, 16								
			-					R1/2			6, 8, 10, 12, 14, 16								
								NPQE-L			M5	-	-	-	-	4	-	20	
											-					G1/8			4, 6, 8, 10
											-					G1/4			6, 8, 10
	-	G3/8		8, 10															
		NPQE-L		-	-	-	3		-	3	-					21			
							4			4									
			6				6												
			8				8												
			10				10												
			12				12												
			14				14												
			16				16												
		NPQE-L	-	-	-	3	-	-	3, 4	21									
4						4, 6													
6						6, 8													
8						8, 10													
10						10, 12													
12						12													



Product range overview

Design	Version	Type	Connection D1					Connection D2		→ Page/ Internet
			M thread	R thread	G thread	Tubing O.D.	Push-in sleeve ∅	Tubing O.D.	Push-in sleeve ∅	
L-shape	<b>Push-in L-fitting – hollow bolt with external hex</b>									
		NPQE-LH	M5	–	–	–	–	4, 6	–	22
			–	R1/8	–	–	–	4, 6, 8, 10	–	
			–	R1/4	–	–	–	4, 6, 8, 10, 12	–	
			–	R3/8	–	–	–	6, 8, 10, 12	–	
			–	R1/2	–	–	–	10, 12, 16	–	
L-shape, long	<b>Push-in L-fitting, long – Male thread with external hex</b>									
		NPQE-LL	M3	–	–	–	–	4	–	23
			M5	–	–	–	–	4, 6	–	
			M7	–	–	–	–	4, 6	–	
			–	R1/8	–	–	–	4, 6, 8, 10, 12	–	
			–	R1/4	–	–	–	4, 6, 8, 10, 12	–	
–	R3/8	–	–	–	8, 10, 12	–				
–	R1/2	–	–	–	12	–				
T-shape	<b>Push-in T-fitting – male thread with external hex</b>									
		NPQE-T	M3	–	–	–	–	4	–	24
			M5	–	–	–	–	4, 6	–	
			–	R1/8	–	–	–	4, 6, 8, 10, 12	–	
			–	R1/4	–	–	–	4, 6, 8, 10, 12	–	
			–	R3/8	–	–	–	8, 10, 12	–	
	–	R1/2	–	–	–	10, 12, 16	–			
	<b>Push-in T-connector</b>									
		NPQE-T	–	–	–	–	3	–	3	25
			–	–	–	–	4	–	4	
			–	–	–	–	6	–	6	
			–	–	–	–	8	–	8	
			–	–	–	–	10	–	10	
	–	–	–	–	12	–	12	–		
	–	–	–	–	16	–	16	–		
	NPQE-T Increasing	–	–	–	–	3	–	4	25	
		–	–	–	–	4	–	6, 8		
		–	–	–	–	6	–	8, 10		
		–	–	–	–	8	–	10, 12		
		–	–	–	–	10	–	12		–
–	–	–	–	12	–	16	–			
	NPQE-T Reducing	–	–	–	–	6	–	4	25	
		–	–	–	–	8	–	6		
		–	–	–	–	10	–	8		
		–	–	–	–	12	–	10		
<b>Push-in T-fitting – male thread with external hex, additional push-in connector, in-line</b>										
	NPQE-LQ	M5	–	–	–	–	–	4, 6	26	
		–	R1/8	–	–	–	–	4, 6, 8, 10, 12		
		–	R1/4	–	–	–	–	4, 6, 8, 10, 12		
<b>Push-in T-fitting – male thread with external hex, additional connector, female thread, in-line</b>										
	NPQE-LT	M5	–	–	–	–	–	4, 6	27	
		–	R1/8	–	–	–	–	4, 6, 8, 10		
		–	R1/4	–	–	–	–	6, 8, 10, 12		
		–	R3/8	–	–	–	–	10, 12		
		–	R1/2	–	–	–	–	12		

Product range overview

Design	Version	Type	Connection D1					Connection D2		→ Page/ Internet		
			M thread	R thread	G thread	Tubing O.D.	Push-in sleeve ø	Tubing O.D.	Push-in sleeve ø			
Y-shape	<b>Push-in Y-fitting – male thread with external hex</b>											
		NPQE-Y	-	-	R1/8	-	-	-	4, 6, 8, 10	-	28	
					R1/4				4, 6, 8, 10			
					R3/8				10, 12			
					R1/2				12			
	<b>Push-in Y-connector</b>											
		NPQE-Y	-	-	-	-	-	-	3	-	3	29
									4		4	
									6		6	
									8		8	
									10		10	
									12		12	
		NPQE-Y Reducing	-	-	-	-	-	-	4	-	3	29
									6		4	
									8		4, 6	
10									6, 8			
12									8, 10			
16									12			
X-shape	<b>Push-in X-connector</b>											
		NPQE-X	-	-	-	-	-	-	3	-	3	30
									4		4	
									6		6	
									8		8	
									10		10	
									12		12	
	Safety clip		NPAP-QE	-	-	-	-	-	4	-	-	31
									6			
									8			
10												
								12				
								16				

# Datasheet

## Push-in fitting NPQE-D

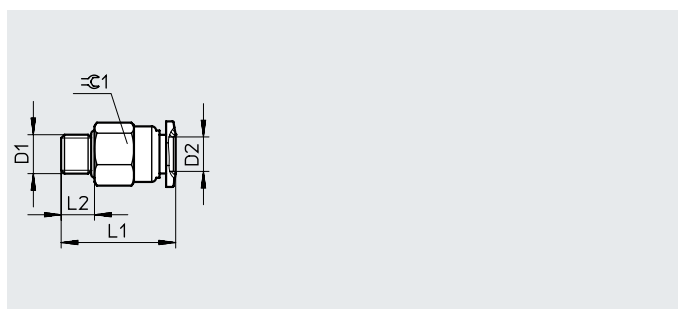
Male thread with external hex

Design:

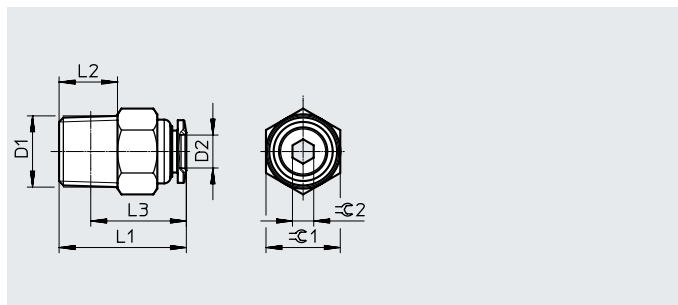
Straight shape



M thread



R thread



Dimensions and ordering data													
Pneumatic connection		Nominal width [mm]	Dimensions [mm]					$\varnothing 1$	$\varnothing 2$	Weight/ piece [g]	Part no.	Type	PS <sup>1)</sup>
Male thread D1	For tubing O.D. D2		L1	L2	L3								
<b>Metric thread with sealing ring</b>													
M3	3	1	14.8	3	-	5.5	-	1.09	8112906	NPQE-D-M3-Q3-P10	10		
	4	1	16.8	3	-	8	-	2.92	8112907	NPQE-D-M3-Q4-P10 <sup>2)</sup>	10		
M5	3	2	15.5	3.5	-	8	-	2.88	8112908	NPQE-D-M5-Q3-P10	10		
	4	2.3	17.3	3.5	-	8	-	2.93	8112909	NPQE-D-M5-Q4-P10 <sup>2)</sup>	10		
	6	2.3	18.2	3.5	-	10	-	3.86	8112910	NPQE-D-M5-Q6-P10 <sup>2)</sup>	10		
M7	4	3	20.1	6	-	10	-	6.43	8112911	NPQE-D-M7-Q4-P10 <sup>2)</sup>	10		
	6	3.5	20.6	6	-	10	-	5.22	8112912	NPQE-D-M7-Q6-P10 <sup>2)</sup>	10		
<b>R thread</b>													
R1/8	4	3	19.4	8	15.4	10	-	6.66	8112913	NPQE-D-R18-Q4-P10 <sup>2)</sup>	10		
	6	4	19.5	8	15.5	10	-	5.74	8112914	NPQE-D-R18-Q6-P10 <sup>2)</sup>	10		
	8	5	28.1	8.5	24.1	14	5	14.75	8112915	NPQE-D-R18-Q8-P10	10		
	10	5	30.4	8.5	26.4	17	5	20.26	8112916	NPQE-D-R18-Q10-P10	10		
	12	5	32.4	8.5	28.4	21	5	27.95	8112917	NPQE-D-R18-Q12-P10	10		
R1/4	4	3	19.4	11	13.4	14	3	15.2	8112918	NPQE-D-R14-Q4-P10	10		
	6	4	24	11	18	14	4	17.16	8112919	NPQE-D-R14-Q6-P10	10		
	8	6	26.1	11	20.1	14	6	13.08	8112920	NPQE-D-R14-Q8-P10	10		
	10	6	32.7	11.5	26.7	17	6	25.08	8112921	NPQE-D-R14-Q10-P10	10		
	12	6	35.4	11.5	29.4	21	6	30.53	8112922	NPQE-D-R14-Q12-P10	10		
R3/8	6	4	22	12	15.6	17	4	23.17	8112923	NPQE-D-R38-Q6-P5	5		
	8	6	23.7	12	17.3	17	6	20.58	8112924	NPQE-D-R38-Q8-P5	5		
	10	8	28.4	12	22	17	8	23.59	8112925	NPQE-D-R38-Q10-P5	5		
	12	8	31.4	12.5	25	21	8	32.45	8112926	NPQE-D-R38-Q12-P5	5		
	14	8	39.2	12.5	32.8	22	8	46.8	8112927	NPQE-D-R38-Q14-P5	5		
	16	8	40.1	12.5	33.7	24	8	48.2	8112928	NPQE-D-R38-Q16-P5	5		
R1/2	6	4	26	15	17.8	21	4	46.67	8112929	NPQE-D-R12-Q6-P5	5		
	8	6	27.1	15	18.9	21	6	41.88	8112930	NPQE-D-R12-Q8-P5	5		
	10	8	26.8	15	18.6	21	8	35.66	8112931	NPQE-D-R12-Q10-P5	5		
	12	8	34.1	15	25.9	21	8	43.13	8112932	NPQE-D-R12-Q12-P5	5		
	14	10	35.7	15	27.5	22	10	43	8112933	NPQE-D-R12-Q14-P5	5		
	16	10	37.1	15.5	28.9	24	10	46.9	8112934	NPQE-D-R12-Q16-P5	5		

1) Pack size

2) Not suitable for safety clip NPAP-QE

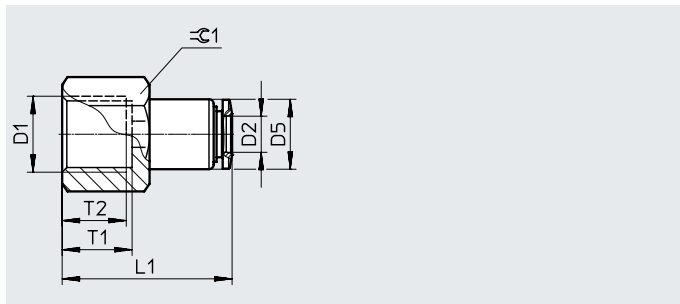
## Datasheet

### Push-in fitting NPQE-D

Female thread with external hex

Design:

Straight shape



#### Dimensions and ordering data

Pneumatic connection		Nominal width	Dimensions [mm]					Weight/ piece	Part no.	Type	PS <sup>1)</sup>
Female thread	For tubing O.D.		D5 ∅	L1	T1	T2	≅ 1				
D1	D2	[mm]					[g]				
<b>Metric thread</b>											
M5	3	2.2	7	17.3	6	5.5	8	3.56	8112984	NPQE-D-M5F-Q3-P10	10
	4	2.5	8	19.6	6	5.5	10	5	8112985	NPQE-D-M5F-Q4-P10 <sup>2)</sup>	10
<b>G thread</b>											
G1/8	4	2.5	10	24.8	9	8	14	13.92	8112986	NPQE-D-G18F-Q4-P10	10
	6	4.5	12	26.1	9	8	14	15.67	8112987	NPQE-D-G18F-Q6-P10	10
	8	6	14	28.1	9	8	14	16.98	8112988	NPQE-D-G18F-Q8-P10	10
	10	8	17	30.1	9	8	17	27.66	8112989	NPQE-D-G18F-Q10-P10	10
G1/4	4	2.5	10	27.8	12	11	17	22.8	8112990	NPQE-D-G14F-Q4-P10	10
	6	4.5	12	29.1	12	11	17	22.67	8112991	NPQE-D-G14F-Q6-P10	10
	8	6	14	31.1	12	11	17	24.58	8112992	NPQE-D-G14F-Q8-P10	10
	10	8	17	33.1	12	11	17	26.76	8112993	NPQE-D-G14F-Q10-P10	10
G3/8	12	10	20	35.6	12	11	21	47.23	8112994	NPQE-D-G14F-Q12-P10	10
	6	4.5	12	30.1	13	12	21	32.67	8112995	NPQE-D-G38F-Q6-P5	5
	8	6	14	32.1	13	12	21	38.57	8112996	NPQE-D-G38F-Q8-P5	5
	10	8	17	34.1	13	12	21	36.86	8112997	NPQE-D-G38F-Q10-P5	5
G1/2	12	10	20	36.6	13	12	21	40.93	8112998	NPQE-D-G38F-Q12-P5	5
	12	10	20	38.6	15	14	24	48.53	8112999	NPQE-D-G12F-Q12-P5	5
	16	14	23.8	41.1	15	14	24	59.1	8113000	NPQE-D-G12F-Q16-P5	5

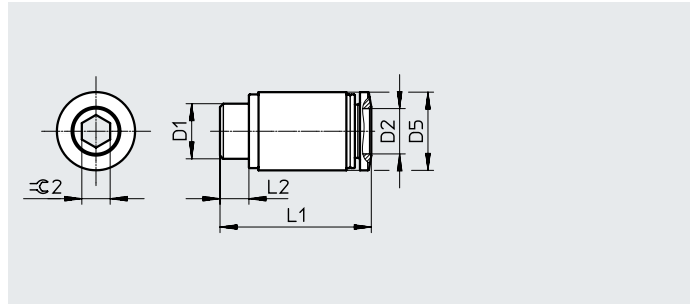
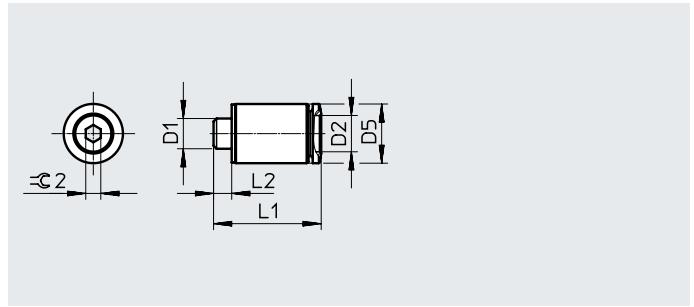
1) Pack size

2) Not suitable for safety clip NPAP-QE

# Datasheet

**Push-in fitting NPQE-DK**  
Male thread with internal hex

Design:  
Straight shape



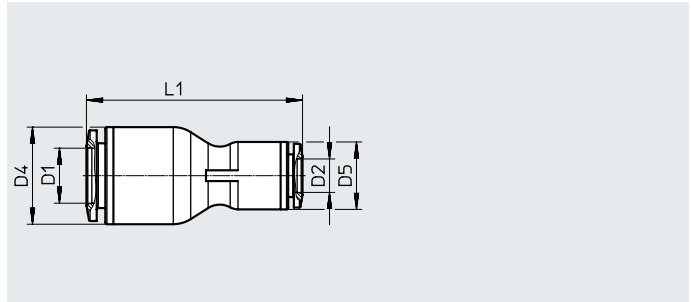
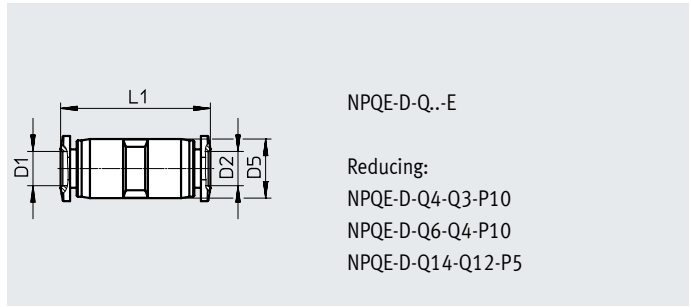
Dimensions and ordering data		D5 ø	L1	L2	-0.2 S2	Weight/ piece [g]	Part no.	Type	PS <sup>1)</sup>
Male thread	For tubing O.D.								
D1	D2								
<b>Metric thread</b>									
M3	3	8	15.5	2.5	1.5	2.5	8112964	NPQE-DK-M3-Q3-P10	10
	4	8	16.4	2.5	1.5	2.1	8112965	NPQE-DK-M3-Q4-P10 <sup>2)</sup>	10
M5	3	8	15.9	3	2	3	8112966	NPQE-DK-M5-Q3-P10	10
	4	8	17.3	3	2.5	2.85	8112967	NPQE-DK-M5-Q4-P10 <sup>2)</sup>	10
	6	10	17.8	3	2.5	3.6	8112968	NPQE-DK-M5-Q6-P10 <sup>2)</sup>	10
M7	4	10	18.8	5.5	3	4.8	8112969	NPQE-DK-M7-Q4-P10 <sup>2)</sup>	10
	6	10	20.4	5.5	4	4.3	8112970	NPQE-DK-M7-Q6-P10 <sup>2)</sup>	10
<b>G thread</b>									
G1/8	4	13	16.2	5.1	3	6.5	8112971	NPQE-DK-G18-Q4-P10 <sup>2)</sup>	10
	6	13	18.2	5.1	4	7.2	8112972	NPQE-DK-G18-Q6-P10 <sup>2)</sup>	10
	8	14	25.7	4.2	5	11.6	8112973	NPQE-DK-G18-Q8-P10	10
	10	17	28.3	4.2	5	17.5	8112974	NPQE-DK-G18-Q10-P10	10
G1/4	6	17	20.1	4.8	4	12.8	8112975	NPQE-DK-G14-Q6-P10	10
	8	17	24.4	4.8	6	14	8112976	NPQE-DK-G14-Q8-P10	10
	10	17	28.9	4.8	7	19.5	8112977	NPQE-DK-G14-Q10-P10	10
	12	20	31.1	4.8	7	26.8	8112978	NPQE-DK-G14-Q12-P10	10

1) Pack size  
2) Not suitable for safety clip NPAP-QE

## Datasheet

### Push-in connector NPQE-D

Design:  
Straight shape



#### Dimensions and ordering data

Pneumatic connection		Nominal width [mm]	Dimensions [mm]			Weight/ piece [g]	Part no.	Type	PS <sup>1)</sup>
For tubing O.D. D1	For tubing O.D. D2		D4 ∅	D5 ∅	L1				
3	3	2.2	–	6.2	20.2	1.03	8113103	NPQE-D-Q3-E-P10	10
4	4	2.3	–	8.1	26	2.04	8113105	NPQE-D-Q4-E-P10 <sup>2)</sup>	10
6	6	4	–	10.7	27.1	3.11	8113107	NPQE-D-Q6-E-P10 <sup>2)</sup>	10
8	8	7.1	–	14	38.5	6.4	8113110	NPQE-D-Q8-E-P10	10
10	10	9.3	–	18	47.2	12.54	8113113	NPQE-D-Q10-E-P10	10
12	12	10	–	20.6	48.8	16.06	8113116	NPQE-D-Q12-E-P10	10
14	14	13	–	23.5	50.8	19.88	8113119	NPQE-D-Q14-E-P5	5
16	16	13	–	25	50	22.4	8113120	NPQE-D-Q16-E-P5	5
<b>Reducing</b>									
4	3	2.3	–	8.1	25.5	1.8	8113104	NPQE-D-Q4-Q3-P10 <sup>2)</sup>	10
6	4	2.3	–	10.7	26.9	3.02	8113106	NPQE-D-Q6-Q4-P10 <sup>2)</sup>	10
8	4	3.5	14	10.5	35.5	5.29	8113108	NPQE-D-Q8-Q4-P10	10
	6	5.3	14	12.5	34.6	5.57	8113109	NPQE-D-Q8-Q6-P10	10
10	6	5.3	18	12.5	40.1	8.95	8113111	NPQE-D-Q10-Q6-P10	10
	8	7.1	18	14	39.5	9.07	8113112	NPQE-D-Q10-Q8-P10	10
12	8	7.1	20.6	14	43.9	11.98	8113114	NPQE-D-Q12-Q8-P10	10
	10	9.3	20.6	18	44.4	13.7	8113115	NPQE-D-Q12-Q10-P10	10
14	10	9.3	23.5	18	48.4	18.22	8113117	NPQE-D-Q14-Q10-P5	5
	12	10	–	23.5	50.4	22.59	8113118	NPQE-D-Q14-Q12-P5	5

1) Pack size

2) Not suitable for safety clip NPAP-QE

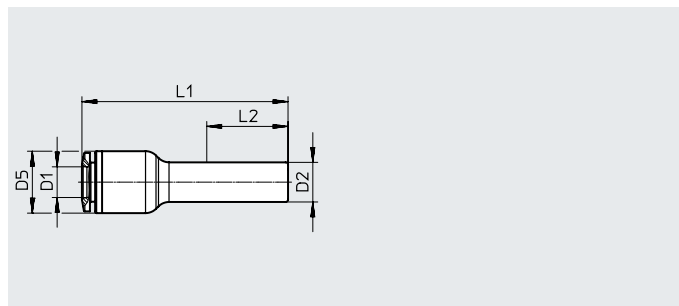
## Datasheet

### Push-in connector NPQE-D

With push-in sleeve

Design:

Straight shape



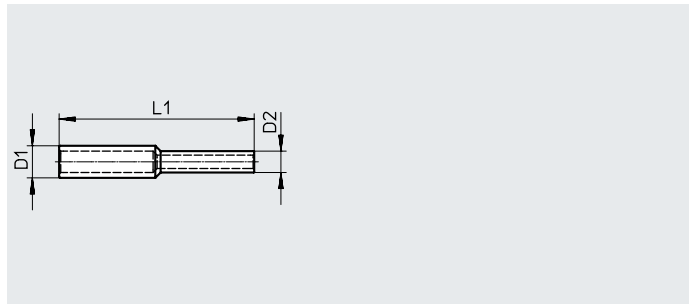
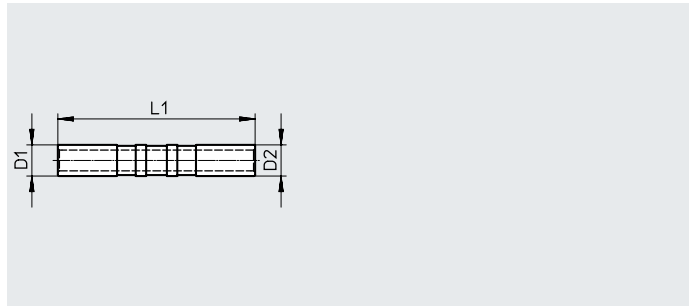
Dimensions and ordering data									
Pneumatic connection		Nominal width	Dimensions [mm]			Weight/ piece	Part no.	Type	PS <sup>1)</sup>
For tubing O.D.	Push-in sleeve		D5 ∅	L1	L2				
D1	D2	[mm]				[g]			
3	QS-4	2.5	6.2	27.6	12.4	0.7	<b>8113183</b>	<b>NPQE-D-Q3-S4-P10</b>	<b>10</b>
4	QS-6	3.5	10.5	39.5	15.9	2.5	<b>8113184</b>	<b>NPQE-D-Q4-S6-P10</b>	<b>10</b>
	QS-8	3.5	13	41.5	18.3	3.97	<b>8113185</b>	<b>NPQE-D-Q4-S8-P10</b>	<b>10</b>
6	QS-8	5	12.5	41.6	18.3	3.27	<b>8113186</b>	<b>NPQE-D-Q6-S8-P10</b>	<b>10</b>
	QS-10	5.5	12.5	42.4	21.1	4.42	<b>8113187</b>	<b>NPQE-D-Q6-S10-P10</b>	<b>10</b>
	QS-12	4.6	12.5	44	22.7	4.54	<b>8113189</b>	<b>NPQE-D-Q6-S12-P10</b>	<b>10</b>
8	QS-10	7	14	46.8	21.1	5	<b>8113188</b>	<b>NPQE-D-Q8-S10-P10</b>	<b>10</b>
	QS-12	7.5	14	46.8	22.7	6.1	<b>8113190</b>	<b>NPQE-D-Q8-S12-P10</b>	<b>10</b>
10	QS-12	8.5	18	52.3	22.7	8.37	<b>8113191</b>	<b>NPQE-D-Q10-S12-P10</b>	<b>10</b>

1) Pack size

## Datasheet

### Push-in sleeve NPQE-D

Design:  
Straight shape



Reducing

#### Dimensions and ordering data

Pneumatic connection		Nominal width [mm]	Dimensions [mm]	Weight/ piece [g]	Part no.	Type	PS <sup>1)</sup>
Push-in sleeve D1	Push-in sleeve D2						
			L1				
QS-4	QS-4	2.5	35	0.34	8113210	NPQE-D-S4-E-P10	10
QS-6	QS-6	4	38	0.72	8113212	NPQE-D-S6-E-P10	10
QS-8	QS-8	6	41.5	1.07	8113214	NPQE-D-S8-E-P10	10
QS-10	QS-10	7.5	46	1.8	8113216	NPQE-D-S10-E-P10	10
QS-12	QS-12	9	53	3.12	8113219	NPQE-D-S12-E-P10	10
QS-16	QS-16	13	55.5	4.42	8113221	NPQE-D-S16-E-P5	5
<b>Reducing</b>							
QS-6	QS-4	2.5	36.5	0.56	8113211	NPQE-D-S6-S4-P10	10
QS-8	QS-6	4	40.5	1	8113213	NPQE-D-S8-S6-P10	10
QS-10	QS-8	6	44	1.62	8113215	NPQE-D-S10-S8-P10	10
QS-12	QS-8	6	47.5	2.3	8113217	NPQE-D-S12-S8-P10	10
	QS-10	7.5	49.5	2.71	8113218	NPQE-D-S12-S10-P10	10
QS-16	QS-12	9	54.5	5.45	8113220	NPQE-D-S16-S12-P5	5

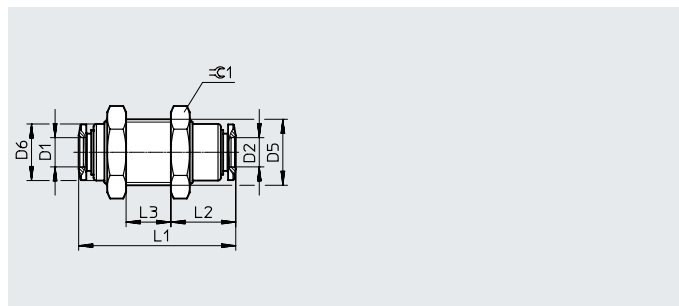
1) Pack size



# Datasheet

## Push-in bulkhead connector NPQE-H

Design:  
Bulkhead

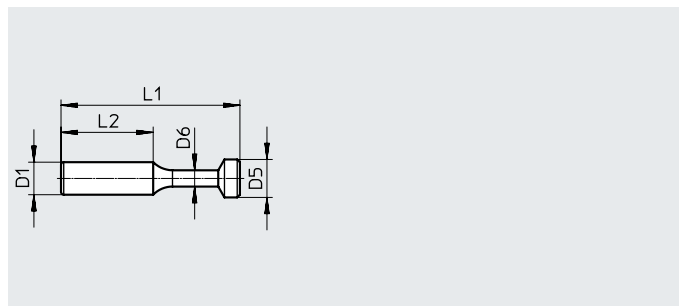
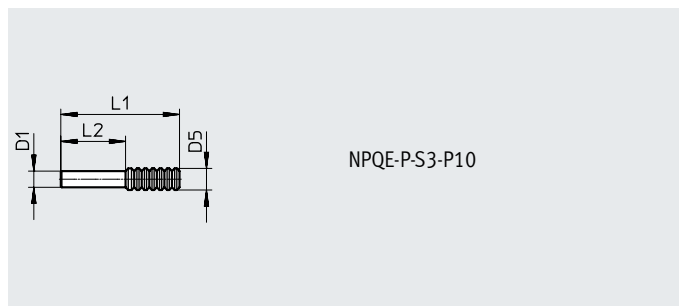
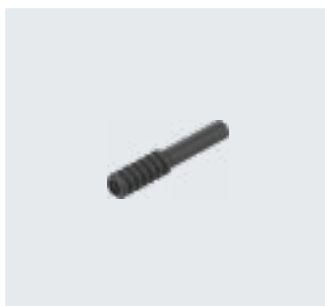


Pneumatic connection		Nominal width [mm]	Dimensions [mm]						Weight/ piece [g]	Part no.	Type	PS <sup>1)</sup>
For tubing O.D. D1	For tubing O.D. D2		D5	D6 ∅	L1	L2	L3	±0.1				
3	3	2.2	M8x0.75	5.5	22.4	8.5	7.6	10	6.1	8113121	NPQE-H-Q3-E-P10	10
4	4	2.5	M12x1	10	31.1	11.9	10.7	14	9.74	8113122	NPQE-H-Q4-E-P10	10
6	6	4.5	M14x1	12	33.3	13.7	9.5	17	18.64	8113123	NPQE-H-Q6-E-P10	10
8	8	6	M16x1	14	37.7	16.2	9.8	19	24.76	8113124	NPQE-H-Q8-E-P10	10
10	10	8	M20x1	17	41.8	16.9	11.9	24	48.9	8113125	NPQE-H-Q10-E-P10	10
12	12	10	M22x1	20	46.9	18.8	14.8	27	56.06	8113126	NPQE-H-Q12-E-P10	10

1) Pack size

## Blanking plug NPQE-P

Design:  
Blanking plug



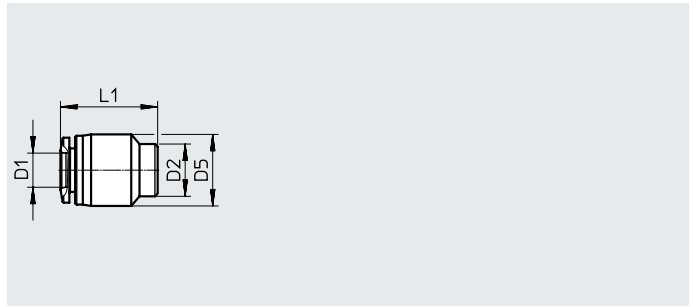
Pneumatic connection		Dimensions [mm]				Weight/ piece [g]	Part no.	Type	PS <sup>1)</sup>
Push-in sleeve D1		D5 ∅	D6 ∅	L1	L2				
QS-3		4	-	22	12	0.25	8113203	NPQE-P-S3-P10	10
QS-4		5	3	28	15	0.35	8113204	NPQE-P-S4-P10	10
QS-6		7	3	33	17	0.9	8113205	NPQE-P-S6-P10	10
QS-8		9	4	37	18	1.3	8113206	NPQE-P-S8-P10	10
QS-10		11	5	42	20.5	1.7	8113207	NPQE-P-S10-P10	10
QS-12		13	6	42	23	2.8	8113208	NPQE-P-S12-P10	10
QS-16		17	8	46	24	5.07	8113209	NPQE-P-S16-P5	5

1) Pack size

## Datasheet

### Push-in cap NPQE-P

Design:  
Push-in cap



Dimensions and ordering data							
Pneumatic connection	Dimensions [mm]			Weight/ piece [g]	Part no.	Type	PS <sup>1)</sup>
For tubing O.D. D1	D2 ø	D5 ø	L1				
3	4.4	6.2	10.6	0.51	8113171	NPQE-P-Q3-P10	10
4	7.5	11	16.6	2	8113172	NPQE-P-Q4-P10	10
6	9.5	13	17.7	2.7	8113173	NPQE-P-Q6-P10	10
8	11.2	15	20.3	3.71	8113174	NPQE-P-Q8-P10	10
10	13.8	18.4	23.1	6.42	8113175	NPQE-P-Q10-P10	10
12	16.3	21.5	25.2	9.03	8113176	NPQE-P-Q12-P10	10

1) Pack size

# Datasheet

## Push-in L-fitting NPQE-L

Male thread with external hex

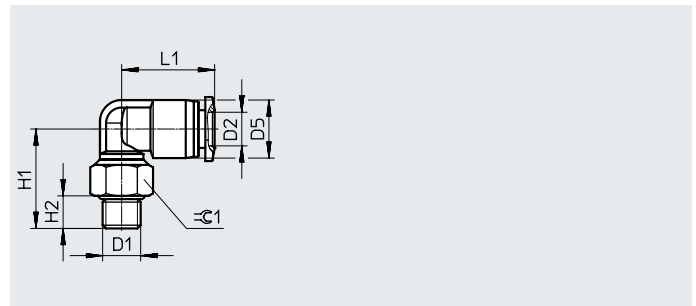
Can be aligned after mounting

Design:

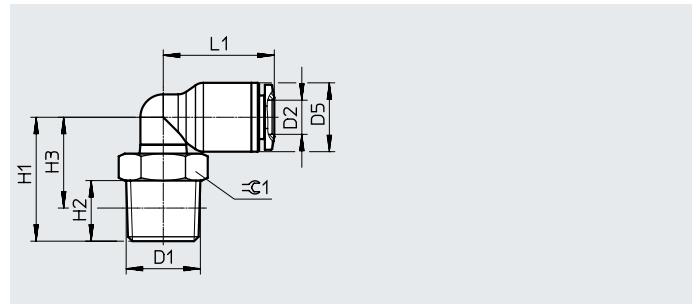
L-shape



M thread



R thread



Dimensions and ordering data												
Pneumatic connection		Nominal width	Dimensions [mm]						Weight/ piece	Part no.	Type	PS <sup>1)</sup>
Male thread	For tubing O.D.		D5 ∅	H1	H2	H3	L1	≈ 1/16				
D1	D2	[mm]						[g]				
<b>Metric thread with sealing ring</b>												
M3	3	1	6.2	12.7	3	–	11.3	5.5	1.42	8112935	NPQE-L-M3-Q3-P10	10
	4	1	8.1	14.1	3	–	16.4	8	3.62	8112936	NPQE-L-M3-Q4-P10 <sup>2)</sup>	10
M5	3	2.2	6.2	14.6	3.5	–	11.3	8	2.77	8112937	NPQE-L-M5-Q3-P10	10
	4	2.3	8.1	14.6	3.5	–	16.4	8	3.55	8112938	NPQE-L-M5-Q4-P10 <sup>2)</sup>	10
	6	2.3	10.7	16.3	3.5	–	17.1	8	4.18	8112939	NPQE-L-M5-Q6-P10 <sup>2)</sup>	10
M7	4	2.3	8.1	16.6	6	–	16.4	10	6.4	8112940	NPQE-L-M7-Q4-P10 <sup>2)</sup>	10
	6	2.3	10.7	18.3	6	–	17.1	10	7.03	8112941	NPQE-L-M7-Q6-P10 <sup>2)</sup>	10
<b>R thread</b>												
R1/8	4	3.4	10.5	19	8	15	18.8	10	7.9	8112942	NPQE-L-R18-Q4-P10	10
	6	4	12.5	20	8	16	20.1	10	8.69	8112943	NPQE-L-R18-Q6-P10	10
	8	6	14	23.4	8	19.4	22.5	10	6.94	8112944	NPQE-L-R18-Q8-P10	10
	10	6.5	18	25.2	8.5	21.2	27	17	22.35	8112945	NPQE-L-R18-Q10-P10	10
	12	6.5	20.6	26.7	8.5	22.7	28.5	17	24.01	8112946	NPQE-L-R18-Q12-P10	10
R1/4	4	3.4	10.5	21.5	11	15.5	18.8	14	14.27	8112947	NPQE-L-R14-Q4-P10	10
	6	4	12.5	22.5	11	16.5	20.1	14	15.06	8112948	NPQE-L-R14-Q6-P10	10
	8	6	14	23	11	17	22.5	14	7.4	8112949	NPQE-L-R14-Q8-P10	10
	10	8.5	18	28.3	11.5	22.3	27	17	26.25	8112950	NPQE-L-R14-Q10-P10	10
	12	8.5	20.6	29.8	11.5	23.8	28.5	17	27.91	8112951	NPQE-L-R14-Q12-P10	10
R3/8	6	4	12.5	24	12	17.6	20.1	17	23.96	8112952	NPQE-L-R38-Q6-P5	5
	8	6	14	24.5	12	18.1	22.5	17	22.44	8112953	NPQE-L-R38-Q8-P5	5
	10	9.3	18	26.3	12	19.9	27	17	26.05	8112954	NPQE-L-R38-Q10-P5	5
	12	9.5	20.6	27.8	12	21.4	28.5	17	27.71	8112955	NPQE-L-R38-Q12-P5	5
	14	11.5	23.5	36.2	12.5	29.8	33.4	20	41.23	8112956	NPQE-L-R38-Q14-P5	5
	16	11.5	25	35.7	12.5	29.3	33.5	20	40.97	8112957	NPQE-L-R38-Q16-P5	5
R1/2	6	4	12.5	27	15	18.8	20.1	21	44.89	8112958	NPQE-L-R12-Q6-P5	5
	8	6	14	27.5	15	19.3	22.5	21	39.94	8112959	NPQE-L-R12-Q8-P5	5
	10	9.3	18	29.3	15	21.1	27	21	41.85	8112960	NPQE-L-R12-Q10-P5	5
	12	9.5	20.6	30.8	15	22.6	28.5	21	43.51	8112961	NPQE-L-R12-Q12-P5	5
	14	13	23.5	38.7	15	30.5	33.4	21	52.73	8112962	NPQE-L-R12-Q14-P5	5
	16	13	25	38.2	15	30	33.5	21	52.47	8112963	NPQE-L-R12-Q16-P5	5

1) Pack size

2) Not suitable for safety clip NPAP-QE

## Datasheet

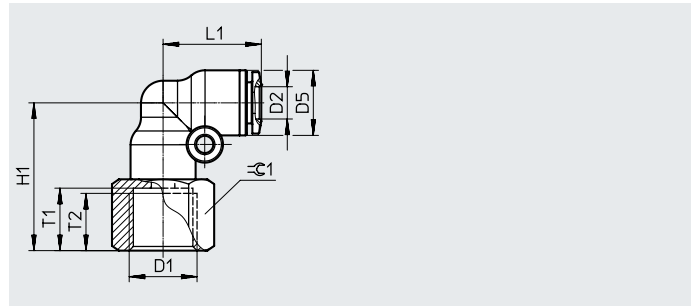
### Push-in L-fitting NPQE-L

Female thread with external hex

Can be aligned after mounting

Design:

L-shape



#### Dimensions and ordering data

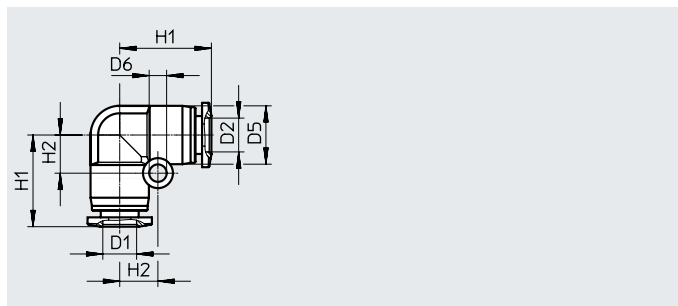
Pneumatic connection		Nominal width	Dimensions [mm]						Weight/ piece	Part no.	Type	PS <sup>1)</sup>
Female thread	For tubing O.D.		D5 ∅	H1	L1	T1	T2	± 0.1				
D1	D2	[mm]						[g]				
<b>Metric thread</b>												
M5	4	2.5	10.5	18.5	17.5	6	5.5	10	8.07	<b>8113001</b>	<b>NPQE-L-M5F-Q4-P10</b>	<b>10</b>
<b>G thread</b>												
G1/8	4	2.5	10.5	24	17.5	9	8	14	14.67	<b>8113002</b>	<b>NPQE-L-G18F-Q4-P10</b>	<b>10</b>
	6	4.5	12.5	25.4	18.7	9	8	14	16.97	<b>8113003</b>	<b>NPQE-L-G18F-Q6-P10</b>	<b>10</b>
	8	6	14	28.3	22.5	9	8	14	20.2	<b>8113004</b>	<b>NPQE-L-G18F-Q8-P10</b>	<b>10</b>
	10	8	18	27.3	27.2	9	8	17	28.25	<b>8113005</b>	<b>NPQE-L-G18F-Q10-P10</b>	<b>10</b>
G1/4	6	4.5	12.5	28.4	18.7	12	11	17	22.97	<b>8113006</b>	<b>NPQE-L-G14F-Q6-P10</b>	<b>10</b>
	8	6	14	31.3	22.5	12	11	17	25.7	<b>8113007</b>	<b>NPQE-L-G14F-Q8-P10</b>	<b>10</b>
	10	8.5	18	35.3	27.2	12	11	17	33.76	<b>8113008</b>	<b>NPQE-L-G14F-Q10-P10</b>	<b>10</b>
G3/8	8	6	14	33	22.5	13	12	21	36.2	<b>8113009</b>	<b>NPQE-L-G38F-Q8-P5</b>	<b>5</b>
	10	8	18	37.3	27.2	13	12	21	44.76	<b>8113010</b>	<b>NPQE-L-G38F-Q10-P5</b>	<b>5</b>

1) Pack size

# Datasheet

## Push-in L-connector NPQE-L

Design:  
L-shape



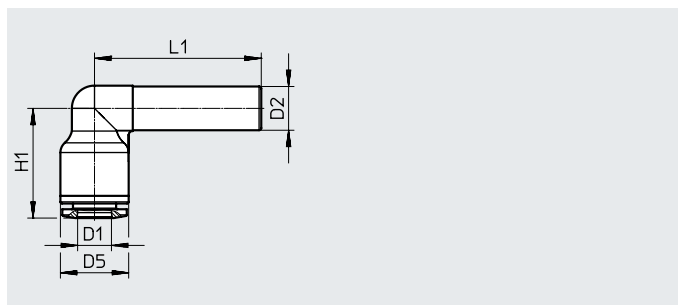
Dimensions and ordering data										
Pneumatic connection		Nominal width	Dimensions [mm]				Weight/ piece	Part no.	Type	PS <sup>1)</sup>
For tubing O.D.	For tubing O.D.		D5	D6	H1	H2				
D1	D2	[mm]	∅	∅			[g]			
3	3	2.2	6.2	3.2	11.6	4.7	1.13	8113127	NPQE-L-Q3-E-P10	10
4	4	2.3	8.1	3.2	15.1	6	2.31	8113128	NPQE-L-Q4-E-P10 <sup>2)</sup>	10
6	6	4	10.7	3.2	16.8	7	4.21	8113129	NPQE-L-Q6-E-P10 <sup>2)</sup>	10
8	8	7.1	14	3.3	22.5	10	7	8113130	NPQE-L-Q8-E-P10	10
10	10	9.3	18	4.3	27.3	12	13.54	8113131	NPQE-L-Q10-E-P10	10
12	12	10	20.6	4.3	29.3	13.5	17.96	8113132	NPQE-L-Q12-E-P10	10
14	14	13	23.5	4.3	31.9	13.5	25.59	8113133	NPQE-L-Q14-E-P5	5
16	16	14.3	25	4.3	32.5	15.5	25	8113134	NPQE-L-Q16-E-P5	5

1) Pack size  
2) Not suitable for safety clip NPAP-QE

## Push-in L-connector NPQE-L

With push-in sleeve

Design:  
L-shape



Dimensions and ordering data										
Pneumatic connection		Nominal width	Dimensions [mm]			Weight/ piece	Part no.	Type	PS <sup>1)</sup>	
For tubing O.D.	Push-in sleeve		D5	H1	L1					
D1	D2	[mm]	∅			[g]				
3	QS-3	1.5	6.2	11.3	22.5	0.73	8113192	NPQE-L-Q3-S3-P10	10	
	QS-4	2.2	6.2	11.3	25	0.93	8113193	NPQE-L-Q3-S4-P10	10	
4	QS-4	2.5	8.1	14.9	25	1.41	8113194	NPQE-L-Q4-S4-P10 <sup>2)</sup>	10	
	QS-6	3	8.1	14.9	29.5	1.88	8113195	NPQE-L-Q4-S6-P10 <sup>2)</sup>	10	
6	QS-6	4	10.7	17.1	27	2.43	8113196	NPQE-L-Q6-S6-P10 <sup>2)</sup>	10	
	QS-8	4	12.5	20.1	30.5	3.67	8113197	NPQE-L-Q6-S8-P10	10	
8	QS-8	6	14	22.5	30.5	4.71	8113198	NPQE-L-Q8-S8-P10	10	
	QS-10	6	14	22.5	33.5	5.16	8113199	NPQE-L-Q8-S10-P10	10	
10	QS-10	9.3	18	27	34.5	8.57	8113200	NPQE-L-Q10-S10-P10	10	
	QS-12	9.3	18	27	39	8.84	8113201	NPQE-L-Q10-S12-P10	10	
12	QS-12	9.5	20.6	28.5	39.2	12.04	8113202	NPQE-L-Q12-S12-P10	10	

1) Pack size  
2) Not suitable for safety clip NPAP-QE

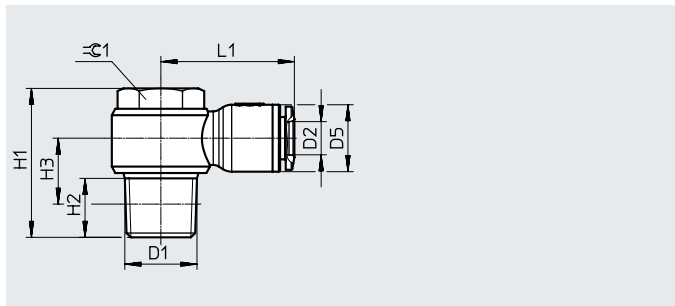
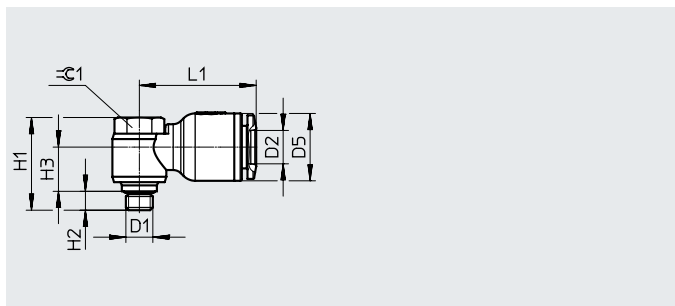
# Datasheet

## Push-in L-fitting NPQE-LH

Hollow bolt with external hex

Can be aligned after mounting

Design:  
L-shape



Dimensions and ordering data												
Pneumatic connection		Nominal width	Dimensions [mm]						Weight/ piece	Part no.	Type	PS <sup>1)</sup>
Male thread	For tubing O.D.		D5	H1	H2	H3	L1	⊕1				
D1	D2	[mm]	∅						[g]			
<b>Metric thread with sealing ring</b>												
M5	4	1.8	10.5	17.2	3.5	7.2	20	8	6.66	8113030	NPQE-LH-M5-Q4-P10	10
M5	6	1.8	12.5	17.2	3.5	8.2	21.9	8	7.06	8113031	NPQE-LH-M5-Q6-P10	10
<b>R thread</b>												
R1/8	4	3	10.5	24	8	11.5	22.3	10	11.35	8113032	NPQE-LH-R18-Q4-P10	10
	6	4	12.5	24	8	11.5	22.9	10	11.89	8113033	NPQE-LH-R18-Q6-P10	10
	8	4	14	24	8	12.3	25.3	10	12.71	8113034	NPQE-LH-R18-Q8-P10	10
	10	4	18	24	8	14.2	30.2	10	15.87	8113035	NPQE-LH-R18-Q10-P10	10
R1/4	4	3.5	10.5	27.8	11	12.3	24.1	14	23.2	8113036	NPQE-LH-R14-Q4-P10	10
	6	4	12.5	27.8	11	12.3	25	14	23.74	8113037	NPQE-LH-R14-Q6-P10	10
	8	5	14	27.8	11	13.3	28.4	14	24.54	8113038	NPQE-LH-R14-Q8-P10	10
	10	5	18	27.8	11	15	32	14	27.59	8113039	NPQE-LH-R14-Q10-P10	10
	12	5	20.6	27.8	11	16.3	33.2	14	29.64	8113040	NPQE-LH-R14-Q12-P10	10
R3/8	6	4	12.5	33.4	12	14.2	26.5	19	41	8113041	NPQE-LH-R38-Q6-P5	5
	8	5	14	33.4	12	14	29.3	19	41.8	8113042	NPQE-LH-R38-Q8-P5	5
	10	6.5	18	33.4	12	16	32.5	19	44.66	8113043	NPQE-LH-R38-Q10-P5	5
	12	6.5	20.6	33.4	12	17.3	35.3	19	46.87	8113044	NPQE-LH-R38-Q12-P5	5
R1/2	10	8	18	40.1	15	17.6	35.5	24	84.64	8113045	NPQE-LH-R12-Q10-P5	5
	12	8	20.6	40.1	15	18.9	36.3	24	85.18	8113046	NPQE-LH-R12-Q12-P5	5
	16	8	25	49	15	21.8	37.5	24	99.93	8113047	NPQE-LH-R12-Q16-P5	5

1) Pack size

# Datasheet

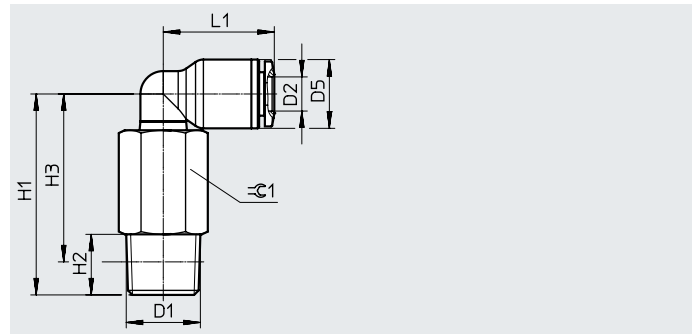
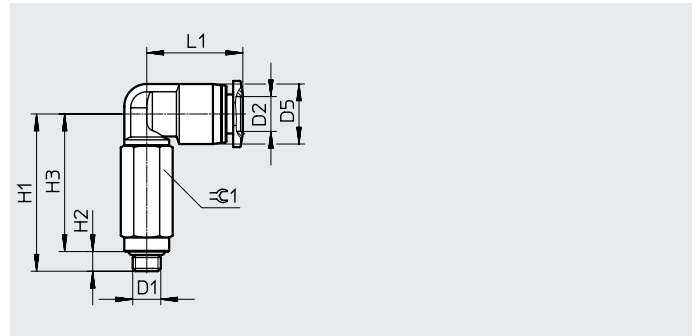
## Push-in L-fitting, long NPQE-LL

Male thread with external hex

Can be aligned after mounting

Design:

L-shape, long



Dimensions and ordering data												
Pneumatic connection		Nominal width	Dimensions [mm]						Weight/ piece	Part no.	Type	PS <sup>1)</sup>
Male thread	For tubing O.D.		D5	H1	H2	H3	L1	≈ $\varnothing$ 1				
D1	D2	[mm]	∅						[g]			
<b>Metric thread with sealing ring</b>												
M3	4	1	8.1	23.1	3	20.1	16.4	8	7.02	8113011	NPQE-LL-M3-Q4-P10 <sup>2)</sup>	10
M5	4	2.3	8.1	26.3	3.5	22.8	16.4	8	8.79	8113012	NPQE-LL-M5-Q4-P10 <sup>2)</sup>	10
	6	2.3	10.7	28	3.5	24.5	17.1	8	9.34	8113013	NPQE-LL-M5-Q6-P10 <sup>2)</sup>	10
M7	4	2.3	8.1	29.1	6	23.1	16.4	10	14.09	8113014	NPQE-LL-M7-Q4-P10 <sup>2)</sup>	10
	6	2.3	10.7	30.8	6	24.8	17.1	10	14.73	8113015	NPQE-LL-M7-Q6-P10 <sup>2)</sup>	10
<b>R thread</b>												
R1/8	4	3.4	10.5	33	8	29	18.8	10	13.92	8113016	NPQE-LL-R18-Q4-P10	10
	6	4	12.5	34	8	30	20.1	10	14.86	8113017	NPQE-LL-R18-Q6-P10	10
	8	6	14	39.2	8	35.2	22.5	10	15.37	8113018	NPQE-LL-R18-Q8-P10	10
	10	6.5	18	47.3	8.5	43.3	26.9	17	51.29	8113019	NPQE-LL-R18-Q10-P10	10
	12	6.5	20.6	48.8	8.5	44.8	28.4	17	54.95	8113020	NPQE-LL-R18-Q12-P10	10
R1/4	4	3.4	10.5	35.5	11	29.5	18.8	14	29.73	8113021	NPQE-LL-R14-Q4-P10	10
	6	4	12.5	36.5	11	30.5	20	14	30.73	8113022	NPQE-LL-R14-Q6-P10	10
	8	6	14	38.8	11	32.8	22.5	14	32.39	8113023	NPQE-LL-R14-Q8-P10	10
	10	8.5	18	50.4	11.5	44.4	26.9	17	57.18	8113024	NPQE-LL-R14-Q10-P10	10
	12	8.5	20.6	51.9	11.5	45.9	28.4	17	60.84	8113025	NPQE-LL-R14-Q12-P10	10
R3/8	8	6	14	40.3	12	33.9	22.5	17	45.83	8113026	NPQE-LL-R38-Q8-P5	5
	10	9.3	18	48.4	12	42	26.9	17	54.49	8113027	NPQE-LL-R38-Q10-P5	5
	12	9.5	20.6	49.9	12	43.5	28.4	17	58.15	8113028	NPQE-LL-R38-Q12-P5	5
R1/2	12	9.5	20.6	52.9	15	44.7	28.4	21	82.54	8113029	NPQE-LL-R12-Q12-P5	5

1) Pack size

2) Not suitable for safety clip NPAP-QE

## Datasheet

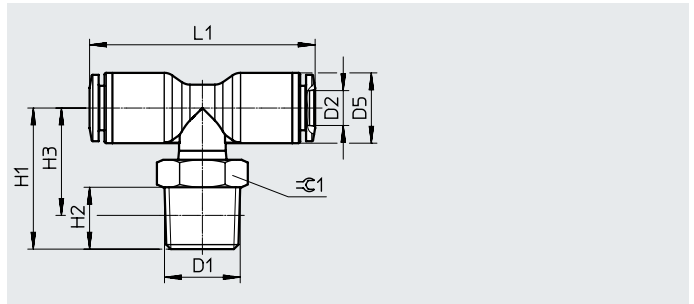
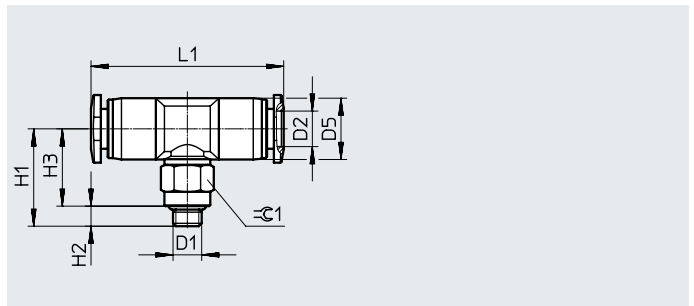
### Push-in T-fitting NPQE-T

Male thread with external hex

Can be aligned after mounting

Design:

T-shape



Dimensions and ordering data												
Pneumatic connection		Nominal width	Dimensions [mm]						Weight/ piece	Part no.	Type	PS <sup>1)</sup>
Male thread	For tubing O.D.		D5	H1	H2	H3	L1	±1				
D1	D2	[mm]	∅						[g]			
<b>Metric thread with sealing ring</b>												
M3	4	1	8.1	15.3	3	12.3	30.2	8	4.63	<b>8113048</b>	NPQE-T-M3-Q4-P10 <sup>2)</sup>	10
M5	4	2.2	8.1	15.8	3.5	12.3	30.2	8	3.94	<b>8113049</b>	NPQE-T-M5-Q4-P10 <sup>2)</sup>	10
	6	2.2	10.7	17	3.5	13.5	33.6	8	6.03	<b>8113050</b>	NPQE-T-M5-Q6-P10 <sup>2)</sup>	10
<b>R thread</b>												
R1/8	4	3.4	10.5	21.5	8	17.5	36	10	8.93	<b>8113051</b>	NPQE-T-R18-Q4-P10	10
	6	4	12.5	22.6	8	18.6	40.2	10	10.34	<b>8113052</b>	NPQE-T-R18-Q6-P10	10
	8	6	14	27.1	8	23.1	45.4	10	12.67	<b>8113053</b>	NPQE-T-R18-Q8-P10	10
	10	6.5	18	28.5	8.5	24.5	54	17	26.64	<b>8113054</b>	NPQE-T-R18-Q10-P10	10
	12	6.5	20.6	29.8	8.5	25.8	58.8	17	32.06	<b>8113055</b>	NPQE-T-R18-Q12-P10	10
R1/4	4	3.4	10.5	24	11	18	36	14	16.32	<b>8113056</b>	NPQE-T-R14-Q4-P10	10
	6	4	12.5	25.1	11	19.1	40.2	14	17.84	<b>8113057</b>	NPQE-T-R14-Q6-P10	10
	8	6	14	26.7	11	20.7	45.4	14	18.2	<b>8113058</b>	NPQE-T-R14-Q8-P10	10
	10	8.5	18	31.6	11.5	25.6	54	17	30.34	<b>8113059</b>	NPQE-T-R14-Q10-P10	10
	12	8.5	20.6	32.9	11.5	26.9	58.8	17	35.76	<b>8113060</b>	NPQE-T-R14-Q12-P10	10
R3/8	8	6	14	28.2	12	21.8	45.4	17	26.2	<b>8113061</b>	NPQE-T-R38-Q8-P5	5
	10	9.3	18	29.6	12	23.2	54	17	30.44	<b>8113062</b>	NPQE-T-R38-Q10-P5	5
	12	9.5	20.6	30.9	12	24.5	58.8	17	35.86	<b>8113063</b>	NPQE-T-R38-Q12-P5	5
R1/2	10	9.3	18	32.6	15	24.4	54	21	46.14	<b>8113064</b>	NPQE-T-R12-Q10-P5	5
	12	9.5	20.6	33.9	15	25.7	58.8	21	51.56	<b>8113065</b>	NPQE-T-R12-Q12-P5	5
	16	13	25	40.7	15	32.5	69	21	65.6	<b>8113066</b>	NPQE-T-R12-Q16-P5	5

1) Pack size

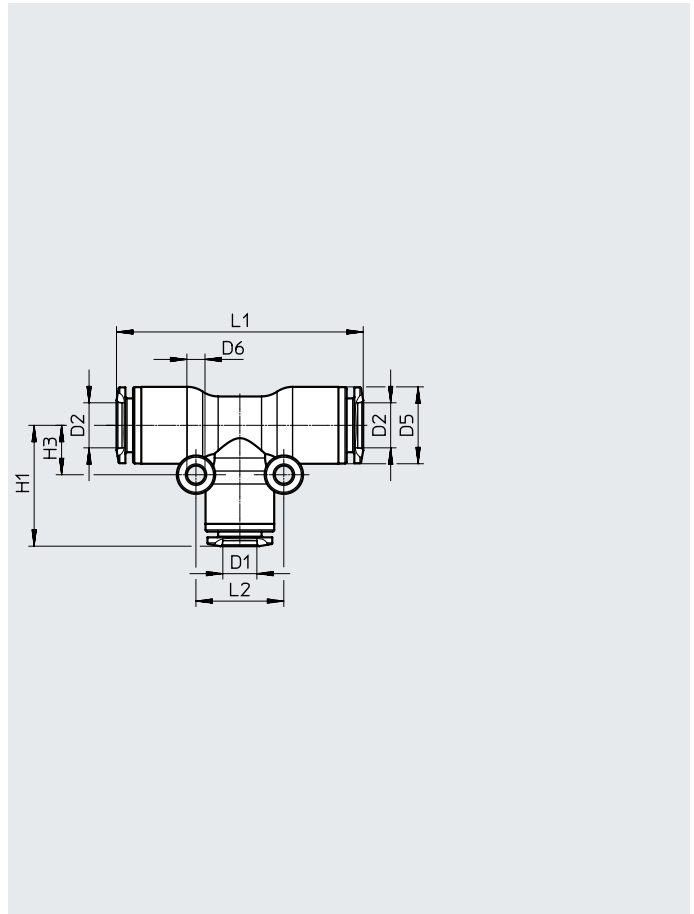
2) Not suitable for safety clip NPAP-QE



# Datasheet

## Push-in T-connector NPQE-T

Design:  
T-shape



Dimensions and ordering data													
Pneumatic connection		Nominal width	Dimensions [mm]						Weight/ piece	Part no.	Type	PS <sup>1)</sup>	
For tubing O.D.	For tubing O.D.		D5 ∅	D6 ∅	H1	H3	L1	L2					
D1	D2	[mm]							[g]				
3	3	2.2	6.2	3.2	11.6	4.7	23.2	9.4	1.69	8113135	NPQE-T-Q3-E-P10	10	
4	4	2.3	8.1	3.2	15.1	6	30.2	12	3.46	8113137	NPQE-T-Q4-E-P10 <sup>2)</sup>	10	
6	6	4	10.7	3.2	16.8	7	33.6	14	6.76	8113140	NPQE-T-Q6-E-P10 <sup>2)</sup>	10	
8	8	7.1	14	3.3	22.5	9	44.9	18	12	8113144	NPQE-T-Q8-E-P10	10	
10	10	9.3	18	4.3	28	12	56	24	20.41	8113148	NPQE-T-Q10-E-P10	10	
12	12	12.3	20.6	4.3	29.4	13.5	58.8	27	26.89	8113152	NPQE-T-Q12-E-P10	10	
16	16	14.3	25	4.3	32.5	15.5	65	31	37.85	8113154	NPQE-T-Q16-E-P5	5	
<b>Increasing</b>													
3	4	2.2	8.1	3.2	14.6	6	30.2	12	3.31	8113136	NPQE-T-Q3-Q4-P10 <sup>2)</sup>	10	
4	6	2.3	10.7	3.2	16.6	7	33.6	14	5.12	8113139	NPQE-T-Q4-Q6-P10 <sup>2)</sup>	10	
	8	3.5	14	3.3	21	9	42.9	15	10.87	8113142	NPQE-T-Q4-Q8-P10	10	
6	8	5.3	14	3.3	22	9	44.9	16	10.27	8113143	NPQE-T-Q6-Q8-P10	10	
	10	5.3	18	4.3	23.1	11	52	18	18.01	8113146	NPQE-T-Q6-Q10-P10	10	
8	10	7.1	18	4.3	27.5	11	56	18	17.84	8113147	NPQE-T-Q8-Q10-P10	10	
	12	7.1	20.6	4.3	27	12.5	56.8	19	24.76	8113150	NPQE-T-Q8-Q12-P10	10	
10	12	9.3	20.6	4.3	29	13.5	58.8	24	24.63	8113151	NPQE-T-Q10-Q12-P10	10	
12	16	10	25	4.3	31.9	15.5	65	27	25.13	8113153	NPQE-T-Q12-Q16-P5	5	
<b>Reducing</b>													
6	4	2.3	10.7	3.2	16.8	7	33.2	14	5.17	8113138	NPQE-T-Q6-Q4-P10 <sup>2)</sup>	10	
8	6	5.3	14	3.3	22.1	9	44.1	16	11.04	8113141	NPQE-T-Q8-Q6-P10	10	
10	8	7.1	18	4.3	28	12	55	24	19.77	8113145	NPQE-T-Q10-Q8-P10	10	
12	10	9.3	20.6	4.3	29.4	13.5	58	27	26.47	8113149	NPQE-T-Q12-Q10-P10	10	

1) Pack size  
2) Not suitable for safety clip NPAP-QE

## Datasheet

### Push-in T-fitting NPQE-LQ

Male thread with external hex, additional push-in connector, in-line

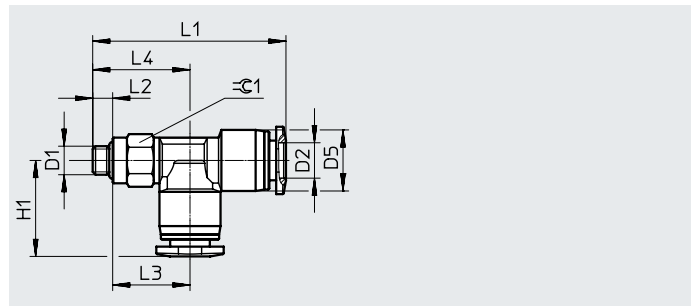
Can be aligned after mounting

Design:

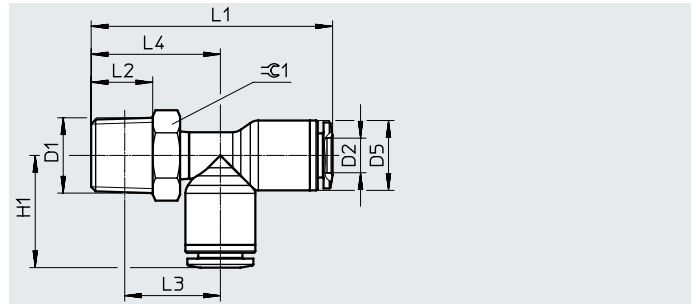
L-shape, additional push-in connector, lengthwise



M thread



R thread



Dimensions and ordering data													
Pneumatic connection		Nominal width	Dimensions [mm]							Weight/ piece	Part no.	Type	PS <sup>1)</sup>
Male thread	For tubing O.D.		D5	H1	L1	L2	L3	L4	⊕1				
D1	D2	[mm]	∅							[g]			
<b>Metric thread with sealing ring</b>													
M5	4	2.2	8.1	15.1	30.9	3.5	12.3	15.8	8	4.64	<b>8113067</b>	NPQE-LQ-M5-Q4-P10 <sup>2)</sup>	<b>10</b>
	6	2.2	10.7	16.8	33.9	3.5	13.6	17.1	8	5.83	<b>8113068</b>	NPQE-LQ-M5-Q6-P10 <sup>2)</sup>	<b>10</b>
<b>R thread</b>													
R1/8	4	3.4	10.5	18	37.6	8	15.6	19.6	10	8.97	<b>8113069</b>	NPQE-LQ-R18-Q4-P10	<b>10</b>
	6	4	12.5	20.1	40.7	8	16.6	20.6	10	10.68	<b>8113070</b>	NPQE-LQ-R18-Q6-P10	<b>10</b>
	8	6	14	22.7	46.6	8	19.9	23.9	10	12.27	<b>8113071</b>	NPQE-LQ-R18-Q8-P10	<b>10</b>
	10	6.5	18	27	53.3	8.5	22.3	26.3	17	26.44	<b>8113072</b>	NPQE-LQ-R18-Q10-P10	<b>10</b>
R1/4	12	6.5	20.6	29.4	56.9	8.5	23.5	27.5	17	32.26	<b>8113073</b>	NPQE-LQ-R18-Q12-P10	<b>10</b>
	4	3.4	10.5	18	40.1	11	16.1	22.1	14	16.36	<b>8113074</b>	NPQE-LQ-R14-Q4-P10	<b>10</b>
	6	4	12.5	20.1	43.2	11	17.1	23.1	14	18.18	<b>8113075</b>	NPQE-LQ-R14-Q6-P10	<b>10</b>
	8	6	14	22.7	46.2	11	17.5	23.5	14	17.8	<b>8113076</b>	NPQE-LQ-R14-Q8-P10	<b>10</b>
	10	8.5	18	27	56.4	11.5	23.4	29.4	17	30.14	<b>8113077</b>	NPQE-LQ-R14-Q10-P10	<b>10</b>
	12	8.5	20.6	29.4	60	11.5	24.6	30.6	17	35.96	<b>8113078</b>	NPQE-LQ-R14-Q12-P10	<b>10</b>

1) Pack size

2) Not suitable for safety clip NPAP-QE

## Datasheet

### Push-in T-fitting NPQE-LT

Male thread with external hex, additional connector, female thread, in-line

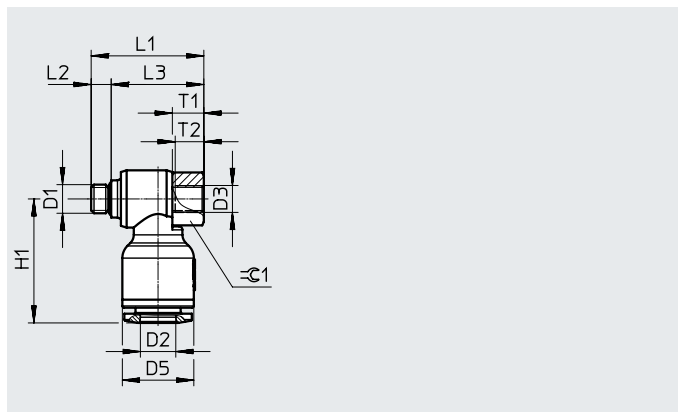
Can be aligned after mounting

Design:

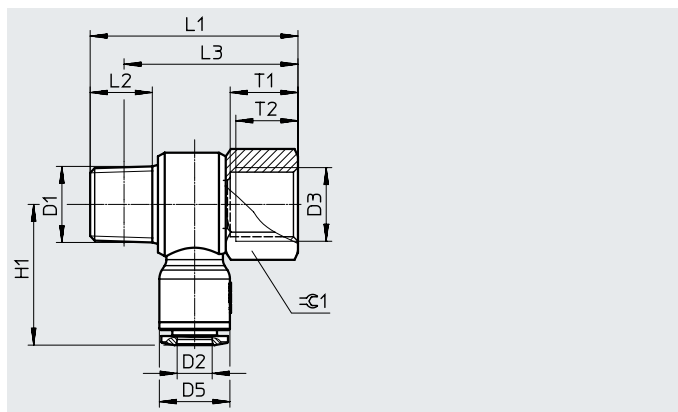
L-shape, additional female thread, lengthwise



M thread



R thread



#### Dimensions and ordering data

Pneumatic connection		Nominal width	Dimensions [mm]									Weight/ piece	Part no.	Type	PS <sup>1)</sup>
Male thread	For tubing O.D.		D3	D5	H1	L1	L2	L3	T1	T2	$\pm 0.1$				
D1	D2	[mm]	$\varnothing$								[g]				
<b>Metric thread with sealing ring</b>															
M5	4	1.8	M5	10.5	20	19.7	3.5	16.2	5.5	5	8	7.13	8113090	NPQE-LT-M5-Q4-P10	10
	6	1.8	M5	12.5	21.7	19.7	3.5	16.2	5.5	5	8	7.75	8113091	NPQE-LT-M5-Q6-P10	10
<b>R thread</b>															
R1/8	4	3	G1/8	10.5	22.3	31	8	27	9	8	14	18.85	8113092	NPQE-LT-R18-Q4-P10	10
	6	4	G1/8	12.5	22.9	31	8	27	9	8	14	19.39	8113093	NPQE-LT-R18-Q6-P10	10
	8	4	G1/8	14	25.3	31	8	27	9	8	14	20.21	8113094	NPQE-LT-R18-Q8-P10	10
	10	4	G1/8	18	30.2	31	8	27	9	8	14	23.37	8113095	NPQE-LT-R18-Q10-P10	10
R1/4	6	4	G1/4	12.5	24.9	36.8	11	30.8	12	11	17	34.73	8113096	NPQE-LT-R14-Q6-P10	10
	8	5	G1/4	14	28.4	36.8	11	30.8	12	11	17	35.53	8113097	NPQE-LT-R14-Q8-P10	10
	10	5	G1/4	18	32	36.8	11	30.8	12	11	17	38.58	8113098	NPQE-LT-R14-Q10-P10	10
	12	5	G1/4	20.6	33.2	36.8	11	30.8	12	11	17	40.63	8113099	NPQE-LT-R14-Q12-P10	10
R3/8	10	6.5	G3/8	18	32.5	42.9	12	36.5	13	12	21	57.77	8113100	NPQE-LT-R38-Q10-P5	5
	12	6.5	G3/8	20.6	35.3	42.9	12	36.5	13	12	21	59.98	8113101	NPQE-LT-R38-Q12-P5	5
R1/2	12	8	G1/2	20.6	36.3	50	15	41.8	15	14	24	92.17	8113102	NPQE-LT-R12-Q12-P5	5

1) Pack size

## Datasheet

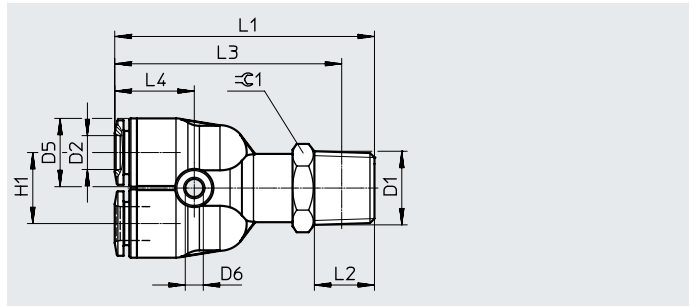
### Push-in Y-fitting NPQE-Y

Male thread with external hex

Can be aligned after mounting

Design:

Y-shape



#### Dimensions and ordering data

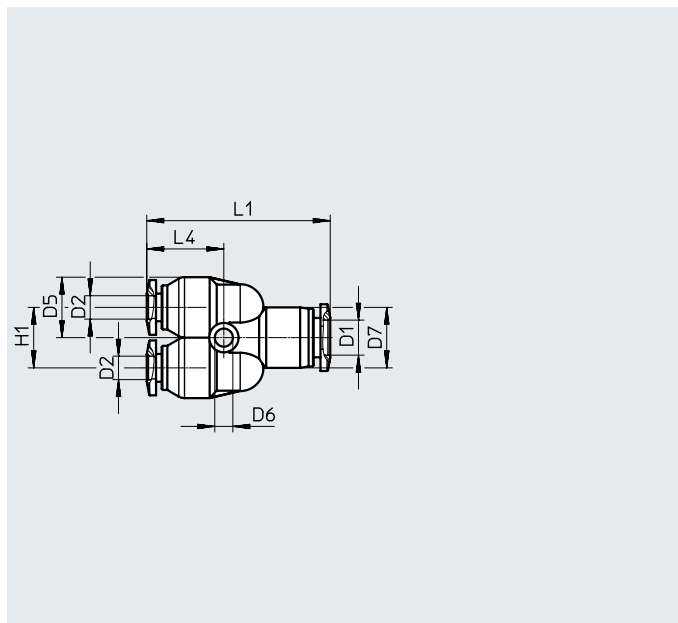
Pneumatic connection		Nominal width	Dimensions [mm]								Weight/ piece	Part no.	Type	PS <sup>1)</sup>
Male thread	For tubing O.D.		D5 ∅	D6 ∅	H1	L1	L2	L3	L4	1/16				
D1	D2	[mm]									[g]			
<b>R thread</b>														
R1/8	4	2.6	10.5	3.3	11	42.5	8	38.5	14	10	12.24	<b>8113079</b>	<b>NPQE-Y-R18-Q4-P10</b>	<b>10</b>
	6	4.6	12.5	3.3	13	44.4	8.5	40.4	14.6	12	14.75	<b>8113080</b>	<b>NPQE-Y-R18-Q6-P10</b>	<b>10</b>
	8	6	14	3.3	15	47.6	8.5	43.6	17.9	14	21.1	<b>8113081</b>	<b>NPQE-Y-R18-Q8-P10</b>	<b>10</b>
	10	5	18	4.3	18	56.8	8.5	52.8	20.4	17	35.84	<b>8113082</b>	<b>NPQE-Y-R18-Q10-P10</b>	<b>10</b>
R1/4	4	2.6	10.5	3.3	11	46.5	11	40.5	14	14	16.24	<b>8113083</b>	<b>NPQE-Y-R14-Q4-P10</b>	<b>10</b>
	6	4.6	12.5	3.3	13	47.6	11	41.6	14.6	14	19.84	<b>8113084</b>	<b>NPQE-Y-R14-Q6-P10</b>	<b>10</b>
	8	6	14	3.3	15	50.3	11	44.3	17.9	14	22.9	<b>8113085</b>	<b>NPQE-Y-R14-Q8-P10</b>	<b>10</b>
	10	8	18	4.3	18	59.8	11.5	53.8	20.4	17	39.14	<b>8113086</b>	<b>NPQE-Y-R14-Q10-P10</b>	<b>10</b>
R3/8	10	8	18	4.3	18	60.5	12	54.1	20.4	17	40.82	<b>8113087</b>	<b>NPQE-Y-R38-Q10-P5</b>	<b>5</b>
	12	9	20.6	4.3	21	64.6	12.5	58.2	21.3	21	58.54	<b>8113088</b>	<b>NPQE-Y-R38-Q12-P5</b>	<b>5</b>
R1/2	12	9	20.6	4.3	21	67.3	15	59.1	21.3	21	64.21	<b>8113089</b>	<b>NPQE-Y-R12-Q12-P5</b>	<b>5</b>

1) Pack size

# Datasheet

## Push-in Y-connector NPQE-Y

Design:  
Y-shape



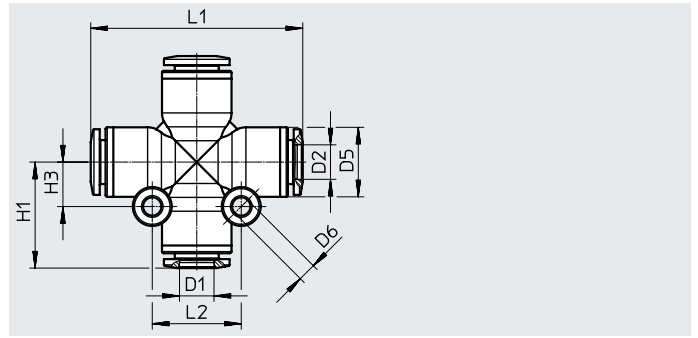
Dimensions and ordering data												
Pneumatic connection		Nominal width [mm]	Dimensions [mm]						Weight/ piece [g]	Part no.	Type	PS <sup>1)</sup>
For tubing O.D. D1	For tubing O.D. D2		D5 ø	D6 ø	D7 ø	H1	L1	L4				
3	3	2.2	7.8	3.1	7.8	8.1	29.2	13.1	2.3	8113155	NPQE-Y-Q3-E-P10	10
4	4	2.3	7.8	3.1	7.8	8.1	30.2	13.6	3.44	8113157	NPQE-Y-Q4-E-P10 <sup>2)</sup>	10
6	6	4	10.7	3.2	10.7	10.7	32.6	13.8	4.46	8113159	NPQE-Y-Q6-E-P10 <sup>2)</sup>	10
8	8	8.2	14	3.3	14	15	39.8	17.9	11.1	8113162	NPQE-Y-Q8-E-P10	10
10	10	8.2	18	4.3	18	18	49.1	20.5	20.11	8113165	NPQE-Y-Q10-E-P10	10
12	12	12.3	20.6	4.3	20.6	21	52.8	21.4	26.79	8113168	NPQE-Y-Q12-E-P10	10
16	16	13	25	4.3	25	25	61	22.5	40.12	8113170	NPQE-Y-Q16-E-P5	5
Reducing												
4	3	2.2	7.8	3.1	7.8	8.1	29.7	13.1	3.01	8113156	NPQE-Y-Q4-Q3-P10 <sup>2)</sup>	10
6	4	2.3	10.7	3.2	10.7	10.7	32.4	13.6	5.31	8113158	NPQE-Y-Q6-Q4-P10 <sup>2)</sup>	10
8	4	3	10.5	3.3	14	11	38.4	13.9	8.04	8113160	NPQE-Y-Q8-Q4-P10	10
	6	6.2	12.5	3.3	14	13	39.9	14.6	9.24	8113161	NPQE-Y-Q8-Q6-P10	10
10	6	4.6	12.5	3.3	18	13	43	14.5	12.45	8113163	NPQE-Y-Q10-Q6-P10	10
	8	8.2	14	3.3	18	15	48.5	17.9	19.37	8113164	NPQE-Y-Q10-Q8-P10	10
12	8	6	14	4.3	20.6	15	47.9	17.9	16.83	8113166	NPQE-Y-Q12-Q8-P10	10
	10	10.3	18	4.3	20.6	18	51.6	20.5	22.27	8113167	NPQE-Y-Q12-Q10-P10	10
16	12	12.3	20.6	4.3	25	21	56.4	21.4	30.59	8113169	NPQE-Y-Q16-Q12-P5	5

1) Pack size  
2) Not suitable for safety clip NPAP-QE

## Datasheet

### Push-in X connector NPQE-X

Design:  
X-shape



#### Dimensions and ordering data

Pneumatic connection		Nominal width	Dimensions [mm]						Weight/ piece	Part no.	Type	PS <sup>1)</sup>
For tubing O.D.	For tubing O.D.		D5 ∅	D6 ∅	H1	H3	L1	L2				
D1	D2	[mm]							[g]			
3	3	2.2	6.2	3.2	12.3	4.9	24.6	9.8	2.23	<b>8113177</b>	<b>NPQE-X-Q3-E-P10</b>	<b>10</b>
4	4	3.5	10.5	3.3	17.5	7	35	14	7.77	<b>8113178</b>	<b>NPQE-X-Q4-E-P10</b>	<b>10</b>
6	6	5	12.5	3.3	19.1	8	38.2	16	10.38	<b>8113179</b>	<b>NPQE-X-Q6-E-P10</b>	<b>10</b>
8	8	7	14	3.3	22.5	9	44.9	18	13.7	<b>8113180</b>	<b>NPQE-X-Q8-E-P10</b>	<b>10</b>
10	10	9.3	18	4.3	28.1	12	56	24	26.68	<b>8113181</b>	<b>NPQE-X-Q10-E-P10</b>	<b>10</b>
12	12	10	20.6	4.3	29.4	13.5	58.8	27	34.62	<b>8113182</b>	<b>NPQE-X-Q12-E-P10</b>	<b>10</b>

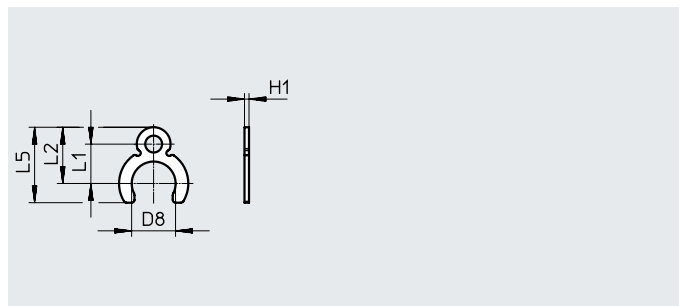
1) Pack size

## Accessories

### Safety clip NPAP-QE

The safety clip prevents the tubing accidentally getting detached from the push-in fitting.

PWIS conformity:  
VDMA24364 zone III



Dimensions and ordering data									
Pneumatic connection	Dimensions [mm]					Weight/ piece [g]	Part no.	Type	PS <sup>1)</sup>
For tubing O.D.	D8 ∅	H1	L1	L2	L5				
4	5.5	0.8	6	9	12	0.06	8113228	NPAP-QE-S-Q4-P10	10
6	7.8	0.8	7	10	13.5	0.07	8113229	NPAP-QE-S-Q6-P10	10
8	9.7	1.2	8	11	15.3	0.11	8113230	NPAP-QE-S-Q8-P10	10
10	11.9	1.4	10	13.5	18.8	0.23	8113231	NPAP-QE-S-Q10-P10	10
12	14.8	1.6	11	14.5	20.5	0.28	8113232	NPAP-QE-S-Q12-P10	10
16	18.2	1.9	13.5	17.5	24.5	0.39	8113233	NPAP-QE-S-Q16-P10	10

1) Pack size