

Lubricators MS6N-LOE – Inch Series



The proportional lubricator adds a precision adjustable quantity of oil to the compressed air stream. The pressure drop that occurs when air flows through a Venturi nozzle is used to convey oil from the container to the drip cap. From here, the oil drips into the air duct directly behind the proportional valve, where it is atomized. The oil mist component is proportional to the compressed air flow rate.

- Pneumatic connection: 1/4 NPT, 3/8 NPT, 1/2 NPT, 3/4 NPT
- Supply pressure: 15 ... 235 psi
- Flow rate: 88.3 ... 254.2 scfm

Product Range Overview						
Type	Flow rate [scfm]	Pneumatic connections		Bowl guard		Reverse flow
		Body thread	Port plate	Plastic bowl guard	Metal bowl	Flow direction from right to left
MS6N			AG...	R	U	Z
LOE	88.3 ... 254.2	1/4 NPT, 3/8 NPT, 1/2 NPT	1/4 NPT, 3/8 NPT, 1/2 NPT, 3/4 NPT	■	■	■

Features

- Proportional lubricator with precision oil metering
- Reduces wear on drive units subject to high loading
- High flow rate
- Quick and easy oil top-up even during operation (under pressure)

The following oils are recommended for Festo components:
 Viscosity range to ISO 3448, ISO class VG 32
 32 mm²/s (= cSt) at 40°C

- Festo special oil OFSW-32 → 920
- ARAL Vitam GF 32
- BP Energol HLP 32
- Esso Nuto H 32
- Mobil DTE 24
- Shell Tellus Oil DO 32

Contents

Technical Data	→ 908
Dimensional Drawings	→ 910
Ordering Data	→ 910
Accessories	→ 912

→ www.festo.com/catalog/ms6n-loe

Lubricators MS6N-LOE – Inch Series

Technical Data

FESTO

ISO Symbol



General Technical Data			
Pneumatic connection 1, 2	1/4 NPT	3/8 NPT	1/2 NPT
Supply pressure	[psi]	15 ... 235	

Standard Nominal Flow Rate q _N [scfm]			
Pneumatic connection 1, 2	1/4 NPT	3/8 NPT	1/2 NPT
In main flow direction 1 → 2	88.3	187.1	254.2

Operating and Environmental Conditions	
Minimum flow for lubricator operation	[scfm] 1.8
Operating medium	Filtered compressed air, filtration grade 40 µm
Max. oil capacity	[in ³] 4.58 (with plastic bowl guard) 4.88 (with metal bowl)
Bowl guard	Plastic bowl guard Metal bowl
Ambient temperature	[°F] 32 ... 140
Temperature of medium	[°F] 32 ... 140
Storage temperature	[°F] 14 ... 140
Assembly position	Vertical ±5°
Corrosion resistance	CRC ¹⁾ 2

1) Corrosion resistance class 2 according to Festo standard 940 070
Components requiring moderate corrosion resistance. Externally visible parts with primarily decorative surface requirements which are in direct contact with a normal industrial environment or media such as coolants or lubricating agents.

Weights [lb]	
With plastic bowl guard	1.20
With metal bowl	1.62

- For spare parts go to: www.festo.com/en/spare_parts_service

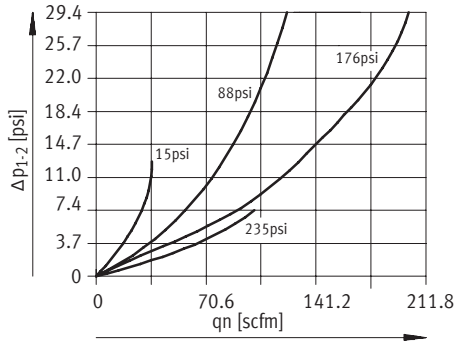
Lubricators MS6N-LOE – Inch Series

Technical Data

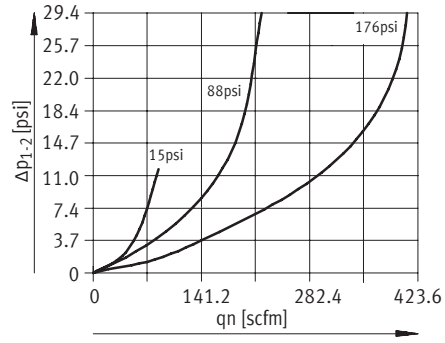


Standard Flow Rate q_n as a Function of the Differential Pressure Δp_{1-2}

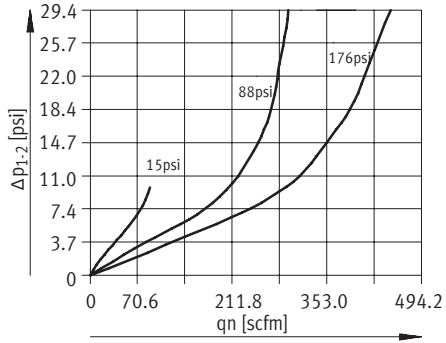
MS6N-LOE-1/4



MS6N-LOE-3/8

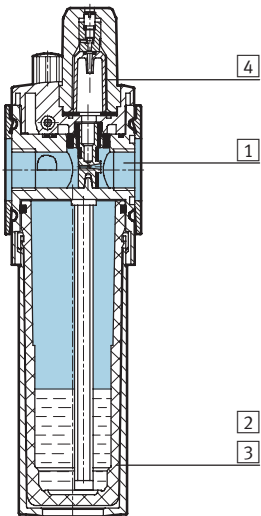


MS6N-LOE-1/2



Materials

Sectional view



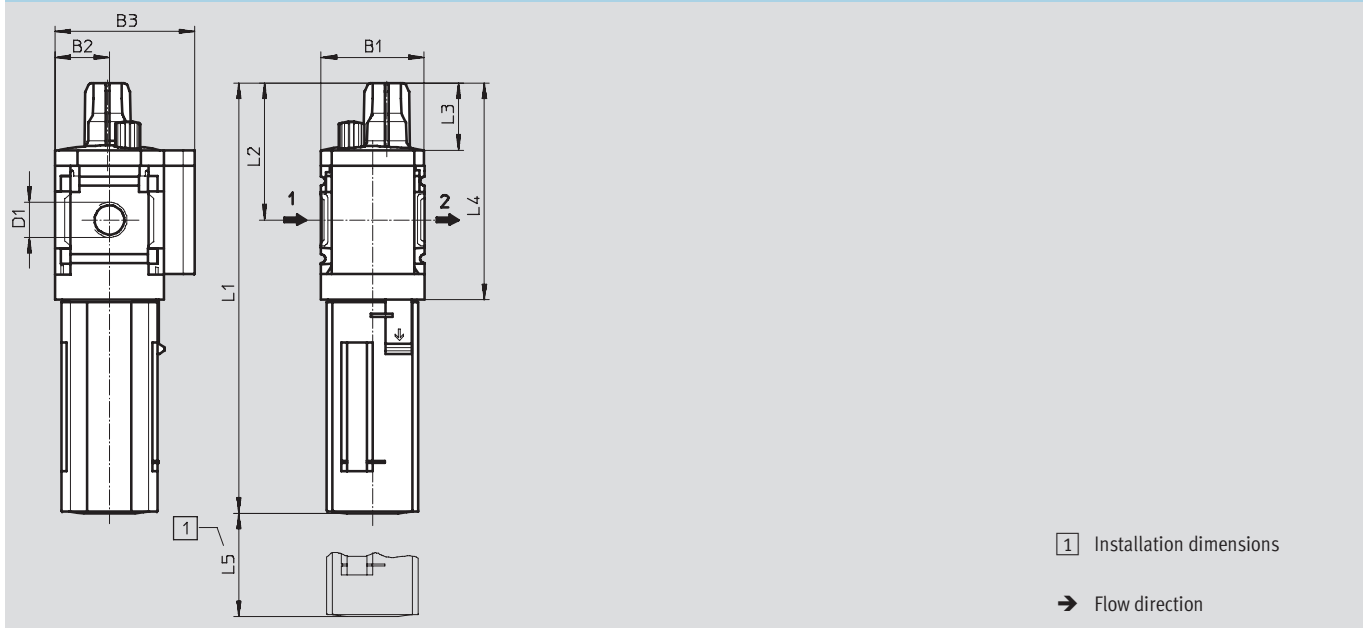
Lubricators		
1	Body	Die-cast aluminum
2	Plastic bowl guard	Polycarbonate/polyamide
3	Metal bowl	Aluminum
	Viewing window	Polyamide
4	Lubricator dome	Polycarbonate
-	Seals	Nitrile rubber

Lubricators MS6N-LOE – Inch Series

Dimensional Drawings, Ordering Data – Pre-configured Products



Dimensions¹⁾ – Standard Download CAD Data → www.festo.com/us/cad



Type	B1	B2	B3	D1	L1 Bowl guard		L2	L3	L4	L5
					Plastic	Metal				
MS6N-LOE-1/4	2.44	1.22	2.99	1/4 NPT	8.49	8.74	2.60	1.06	4.37	5.12
MS6N-LOE-3/8				3/8 NPT						
MS6N-LOE-1/2				1/2 NPT						

1) Dimensions are in inches, unless otherwise noted.

Ordering Data						
Connection	Plastic bowl with plastic bowl guard			Metal bowl		
	Part No.	Type	LT	Part No.	Type	LT
1/4 NPT	531710	MS6N-LOE-1/4-R	1D	531716	MS6N-LOE-1/4-U	Q
3/8 NPT	531712	MS6N-LOE-3/8-R	1D	531718	MS6N-LOE-3/8-U	Q
1/2 NPT	531711	MS6N-LOE-1/2-R	1D	531717	MS6N-LOE-1/2-U	Q

LT = Lead time 1D typically ships same day/next day 1W typically ships within 1 week Q request a quote for lead time

Lubricators MS6N-LOE – Inch Series



Ordering Data – Configurable Products

M Mandatory Data						O Options		
Part No.	Series	Size	Thread	Function	Connection size	Bowl	Type of mounting	Reverse flow direction
527675	MS	6	N	LOE	1/4, 3/8, 1/2, AQN, AQP, AQR, AQS	R U	WP WPM WB	Z
Order example								
527675	MS	6	N	- LOE	- AQN	- R	- WP	- Z

Ordering Table		Grid dimension [mm]	62	Conditions	Code	Enter code
M	Part No.	527675				
	Series	Standard			MS	MS
	Size	6			6	6
	Thread	NPT thread			N	N
	Function	Lubricators			-LOE	-LOE
	Connection size	Body thread 1/4 NPT			-1/4	
		Body thread 3/8 NPT			-3/8	
		Body thread 1/2 NPT			-1/2	
		Port plate 1/4 NPT (dimensions → 916)			-AQN	
		Port plate 3/8 NPT (dimensions → 916)			-AQP	
		Port plate 1/2 NPT (dimensions → 916)			-AQR	
	Bowl	Plastic bowl with plastic bowl guard			-R	
		Metal bowl			-U	
O	Type of mounting	Mounting bracket (dimensions → 917)		1	-WP	
		Mounting bracket (dimensions → 917)		1	-WPM	
		Mounting bracket (dimensions → 914)			-WB	
	Reverse flow direction	Flow direction from right to left			-Z	

1 WP, WPM Only with port plate AQN, AQP, AQR or AQS

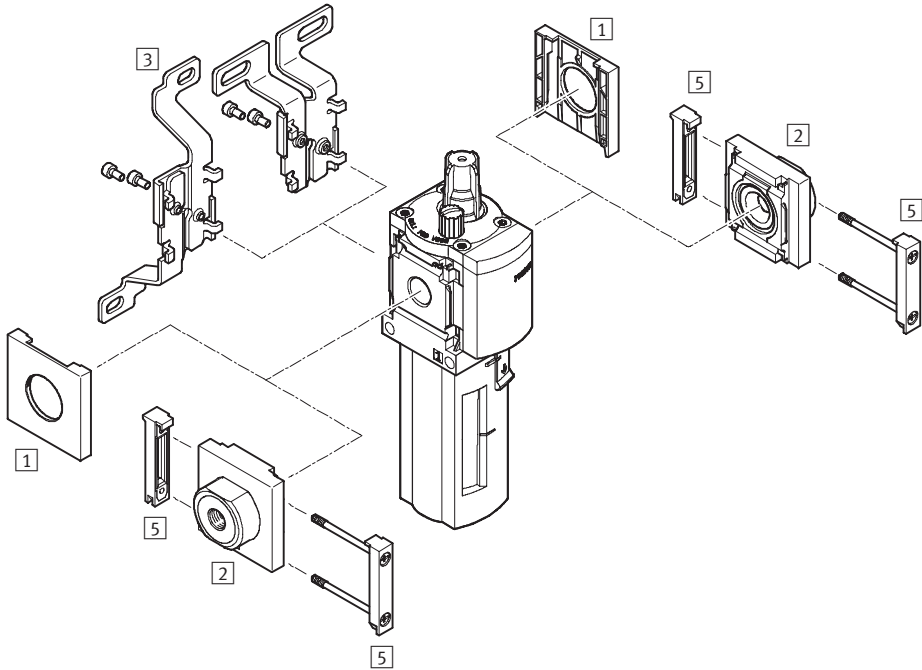
Transfer order code

527675	MS	6	N	- LOE	-		-		-	
--------	----	---	---	-------	---	--	---	--	---	--

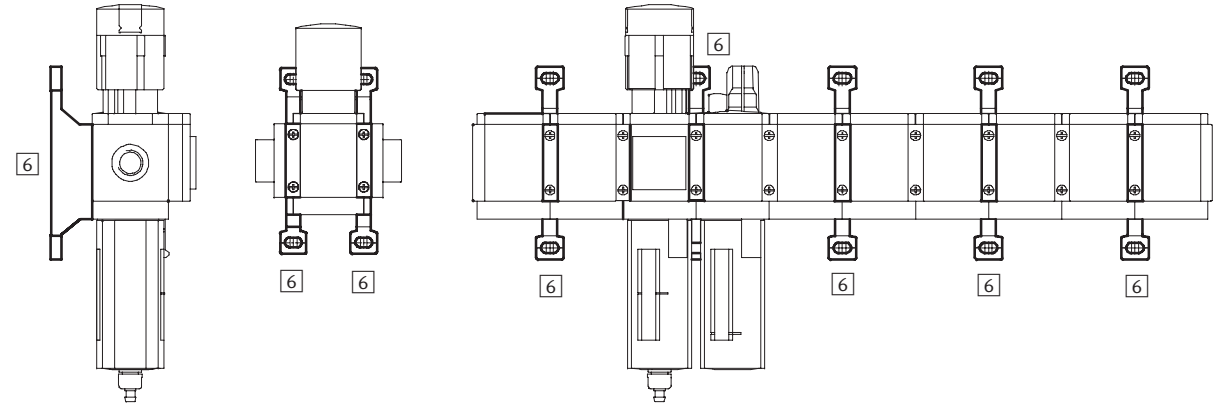
Lubricators MS6N-LOE – Inch Series

Accessories Overview

Mounting Attachments and Accessories



Single unit and combination unit mounting brackets.



Lubricators MS6N-LOE – Inch Series

Accessories Overview



Mounting Attachments and Accessories						
		Single unit		Combination unit → 3.1-49		→ Page
		without port plate	with port plate	without port plate	with port plate	
1	Cover cap MS6-END	■	-	■	-	915
2	Port plate MS6N-AQ...	-	■	-	■	916
3	Mounting bracket MS6-WB	■	■	-	-	914
5	Body connector MS6-MV	-	■	■	■	916
6	Mounting bracket MS6-WP/WPB/WPM	-	■	■	■	917

Lubricators MS6N-LOE – Inch Series



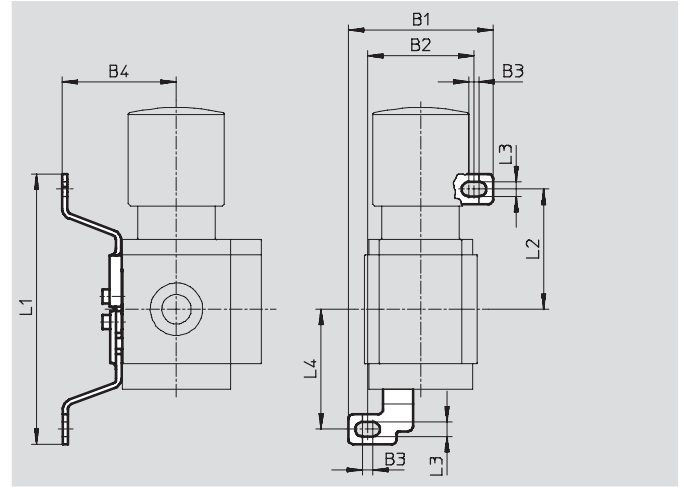
Accessories

3 Mounting bracket MS6-WB

- For wall mounting

Material:

Steel



Dimensions and Ordering Data										
B1	B2	B3	B4	L1	L2	L3	L4	Weight [lb]	Part No.	Type
3.13	2.44	0.18	2.17	6.20	2.80	0.26	2.80	0.24	532196	MS6-WB

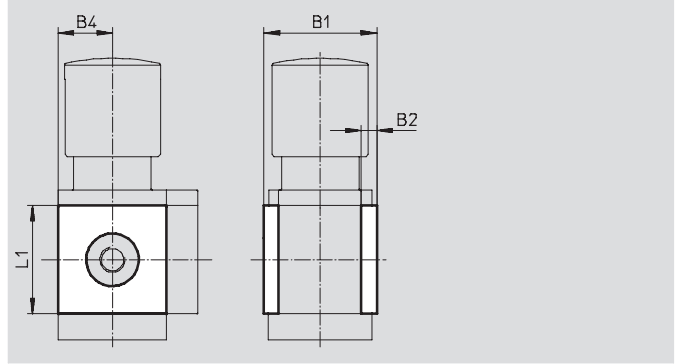
Lubricators MS6N-LOE – Inch Series

Accessories

1 Cover cap MS6-END

- Can be used to cover the body sides of the first and last module if port plates are not used.

Material:
Reinforced polyamide
Free of copper and PTFE



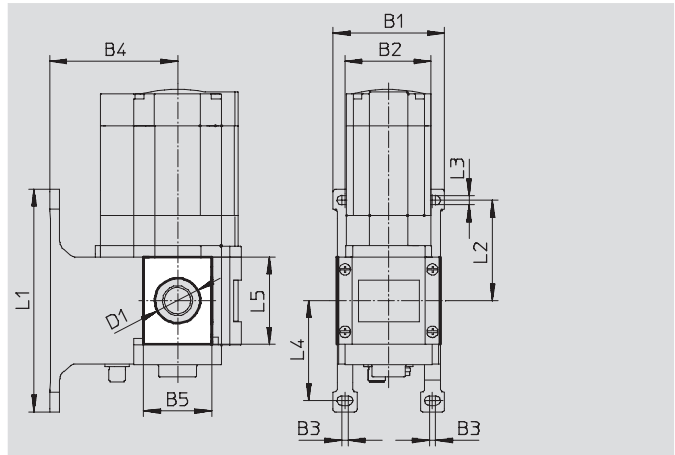
Dimensions and Ordering Data						
B1	B2	B4	L1	Part No.	Type	
2.64	0.31	1.22	2.44	538780	MS6-END	

Mounting plate MS6-AEND

(order code: WBE; scope of delivery includes mounting bracket MS6-WPB)

- In combination with mounting bracket MS-WP or MS-WPB for mounting an individual unit on a wall with body thread

Material:
Reinforced polyamide
Conforms to RoHS
Free of copper and PTFE



Dimensions and Ordering Data															
B1	B2	B3	B4		B5	D1 ∅	L1	L2	L3	L4	L5	CRC ¹⁾	Weight [lb]	Part No.	Type
			WP	WPB											
3.11	2.44	0.18	2.13	3.56	1.91	1.26	6.22	2.80	0.26	2.80	2.44	2	0.03	535408	MS6-AEND

1) Corrosion resistance class 2 according to Festo standard 940 070
Components requiring moderate corrosion resistance. Externally visible parts with primarily decorative surface requirements which are in direct contact with a normal industrial environment or media such as coolants or lubricating agents.

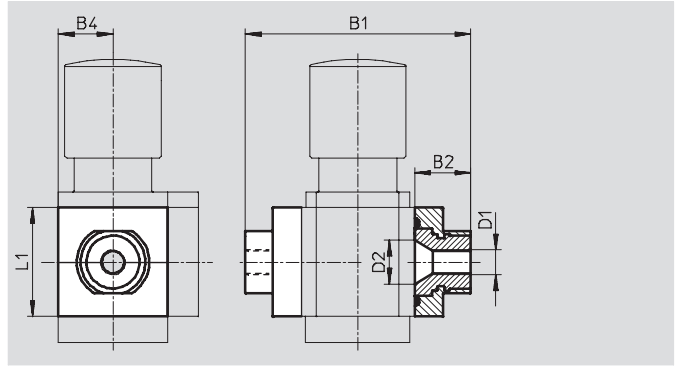
Lubricators MS6N-LOE – Inch Series

Accessories

3 Port plate MS6N-AQ...

- Adapter for pneumatic connection
- MS6-AGE for implementing threaded connection 3/4 NPT

Material:
Aluminum



Dimensions and Ordering Data								
B1	B2	B4	D1	D2	L1	Weight [lb]	Part No.	Type
4.53	1.04	1.22	1/4 NPT	0.94	2.44	0.60	526076	MS6N-AQN
			3/8 NPT				526077	MS6N-AQP
			1/2 NPT				526078	MS6N-AQR
			3/4 NPT				526079	MS6N-AQS

5 Body connector MS...-MV

- For connecting modules

Material:
Stainless steel/polyacetate



Ordering Data		
Weight [lb]	Part No.	Type
0.11	532799	MS6-MV

Lubricators MS6N-LOE – Inch Series

Accessories



6 Mounting Bracket MS6-WP...

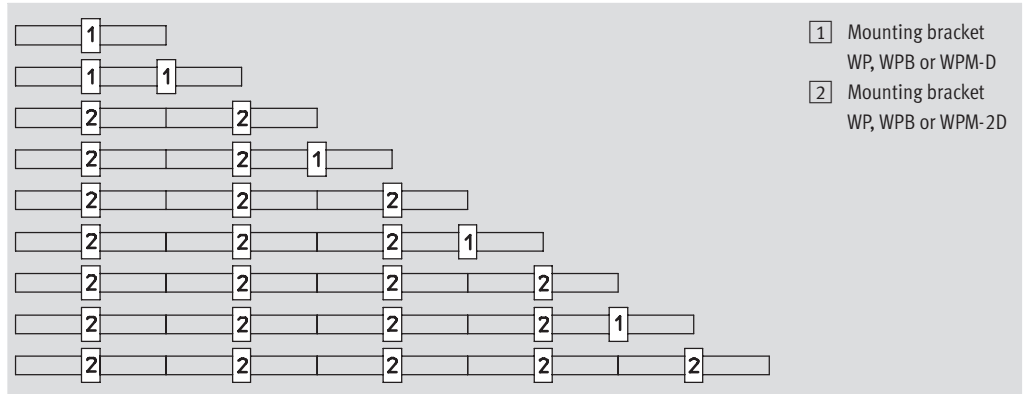
Suggested placement of wall mounting brackets when mounting air preparation combinations

1 unit: 2.44 in with WP, WPB
2.715 in with WPM-D

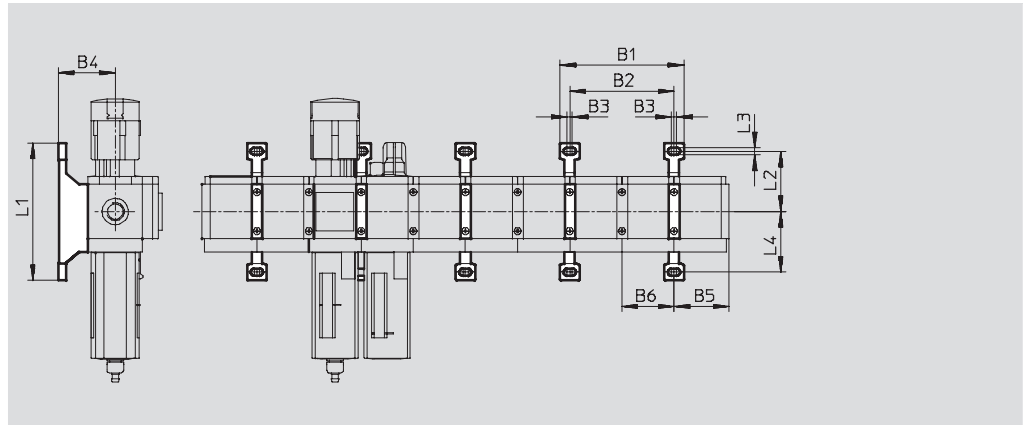
2 units: 4.88 in with WP, WPB
5.43 in with WPM-2D

Number of units

1 2 3 4 5 6 7 8 9 10



Mounting dimensions



Type	B1	B2	B3	B4	B5	B6	L1	L2	L3	L4
MS6-WP	5.55	4.88	0.18	2.13	2.54	2.44	6.22	2.80	0.26	2.80
MS6-WPB				3.56						1.63
MS6-WPM-...D	6.61	5.43	0.69	2.13	2.58	2.72	3.88	1.63		1.63

Lubricators MS6N-LOE – Inch Series

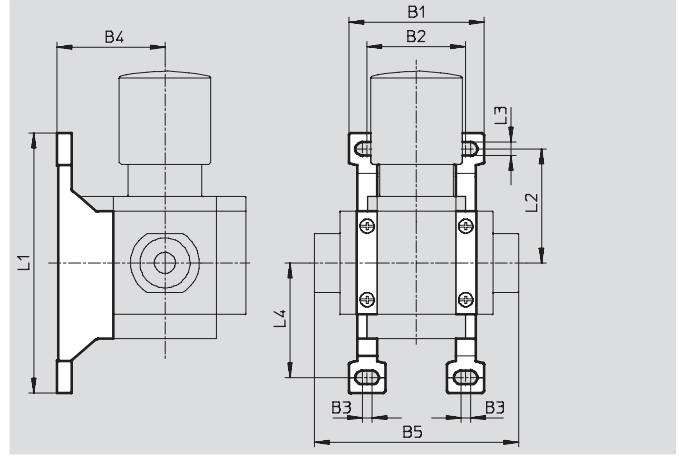


Accessories

Mounting bracket MS6-WP

- To connect the modules for wall mounting
- In combination with a port plate MS-AG... for mounting an individual unit on a wall
- In combination with mounting plate MS-AEND or for mounting an individual unit with body thread on a wall
- For pressure regulator LRB with angled outlet block B... at rear

Material:
Die-cast aluminum

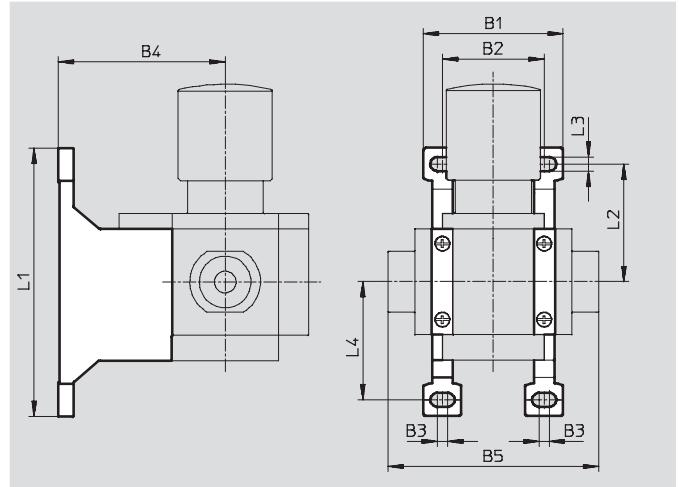


Dimensions and Ordering Data											
B1	B2	B3	B4	B5	L1	L2	L3	L4	Weight [lb]	Part No.	Type
3.11	2.44	0.18	2.13	4.53	6.22	2.80	0.26	2.80	0.15	532195	MS6-WP

Mounting bracket MS6-WPB

- To connect the modules for wall mounting
- In combination with a port plate MS-AG... for mounting an individual unit on a wall
- In combination with mounting plate MS-AEND or for mounting an individual unit with direct thread on a wall
- Provides large wall gap for pressure regulator

Material:
Die-cast aluminum



Dimensions and Ordering Data											
B1	B2	B3	B4	B5	L1	L2	L3	L4	Weight [lb]	Part No.	Type
3.11	2.44	0.18	3.56	4.53	6.22	2.80	0.26	2.80	0.23	526074	MS6-WPB

Lubricators MS6N-LOE – Inch Series

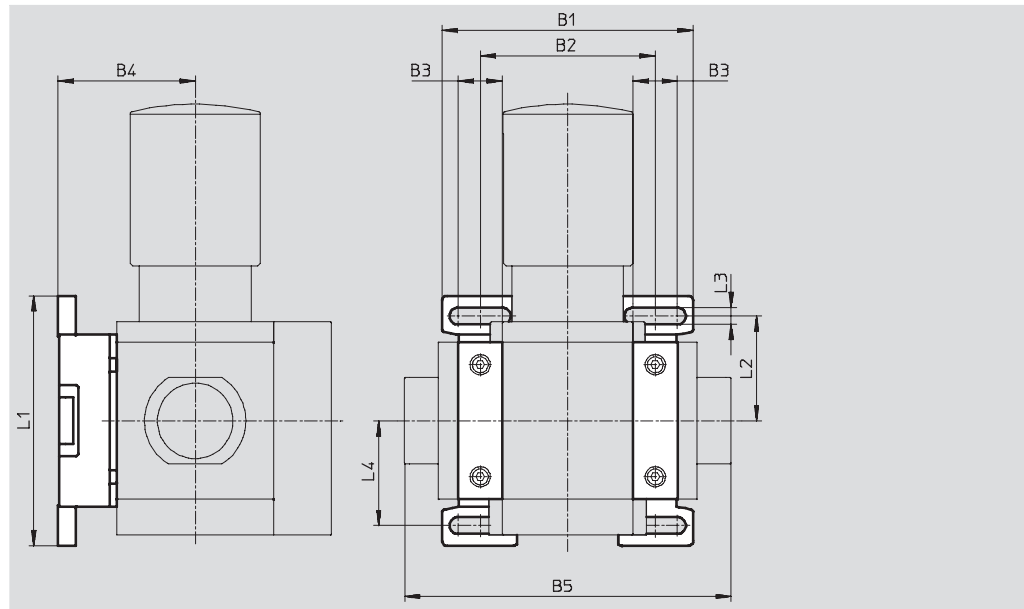
Accessories

Mounting bracket MS6-WPM

- To connect the modules for wall mounting
- In combination with a port plate MS-AG... for mounting an individual unit on a wall
- Speedy attachment and detachment
- For installation of modules with regulating knob pointing downwards

The distance piece D or 2D (designated in the type code) is included in the scope of delivery and ensures the correct clearance

Material:
Die-cast aluminum



Dimensions and Ordering Data												
B1	B2	B3	B4	B5	L1	L2	L3	L4	Clearance	Weight [lb]	Part No.	Type
3.90	2.72	0.69	2.13	5.08	3.88	1.63	0.26	1.63	2.44	0.29	526073	MS6-WPM-D
6.61	5.43			7.80					4.88			

Body connector MS6-MVM

- For installation of modules with regulating knob pointing downwards

Material:
Die-cast aluminum



Ordering Data			
Size	Part No.	Type	
MS6	532801	MS6-MVM	

Lubricators MS6N-LOE – Inch Series

Accessories



Ordering Data – Special Oil OFSW				
	Description	Scope of delivery	Part No.	Type
	for lubricators	1 liter	152811	OFSW-32

Festo - Your Partner in Automation



1 Festo Inc.
5300 Explorer Drive
Mississauga, ON L4W 5G4
Canada

Festo Customer Interaction Center
Tel: 1 877 463 3786
Fax: 1 877 393 3786
Email: customer.service.ca@festo.com



2 Festo Pneumatic
Av. Ceylán 3,
Col. Tequesquináhuac
54020 Tlalneantla,
Estado de México

Multinational Contact Center
01 800 337 8669
ventas.mexico@festo.com



3 Festo Corporation
1377 Motor Parkway
Suite 310
Islandia, NY 11749

Festo Customer Interaction Center
1 800 993 3786
1 800 963 3786
customer.service.us@festo.com



4 Regional Service Center
7777 Columbia Road
Mason, OH 45040

Connect with us



www.festo.com/socialmedia



www.festo.com

Subject to change