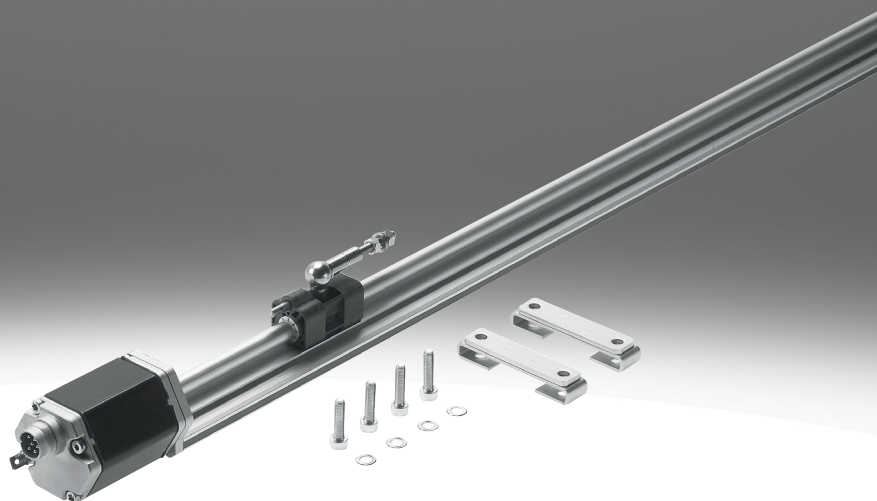


Displacement encoder MME-MTS-TLF

FESTO



Type code

001	Series
MME	Displacement encoder

002	Measuring principle
MTS	Magnetostrictive

003	Stroke [mm]
225	225
300	300
360	360
450	450
500	500
600	600
750	750
1000	1000
1250	1250
1500	1500
1750	1750
2000	2000

004	Version
AIF	Integrated AIF interface
TLF	Profile

Datasheet

General technical data

Stroke	225 mm	300 mm	360 mm	450 mm	500 mm	600 mm
Design	Closed profile, With moving slide					
Displacement resolution	0.01 mm					
Max. travel speed	10 m/s					
Max. travel acceleration	200 m/s ²					
Mounting position	optional					
Angle offset of driver	± 1°					
Electrical connection	6-pin, Plugs, To DIN 45322, Round design					
Product weight	620 g	710 g	780 g	890 g	950 g	1,070 g

General technical data

Stroke	750 mm	1,000 mm	1,250 mm	1,500 mm	1,750 mm	2,000 mm
Design	Closed profile, With moving slide					
Displacement resolution	0.01 mm					
Max. travel speed	10 m/s					
Max. travel acceleration	200 m/s ²					
Mounting position	optional					
Angle offset of driver	± 1°					
Electrical connection	6-pin, Plugs, To DIN 45322, Round design					
Product weight	1,250 g	1,550 g	1,850 g	2,150 g	2,450 g	2,750 g

Electrical data

Nominal operating voltage DC	24 V
Permissible voltage fluctuations	-15%/+20%
Max. current consumption	90 mA
Non-dependent linearity	0.02%, Min. ± 50 µm
Temperature coefficient	15 ppm/K
Functional principle of measuring system	Digital

Operating and environmental conditions

Ambient temperature	-40 ... 75°C
Functional principle of measuring system ¹⁾	Digital
Degree of protection	IP65, To IEC 60529
Vibration resistance to DIN/IEC 68 Part 2-6	Tested according to severity level 1
Continuous shock resistance to DIN/IEC 68 Part 2-82	Tested according to severity level 1

¹⁾ Please note the temperature range of the individual components for a complete system solution.

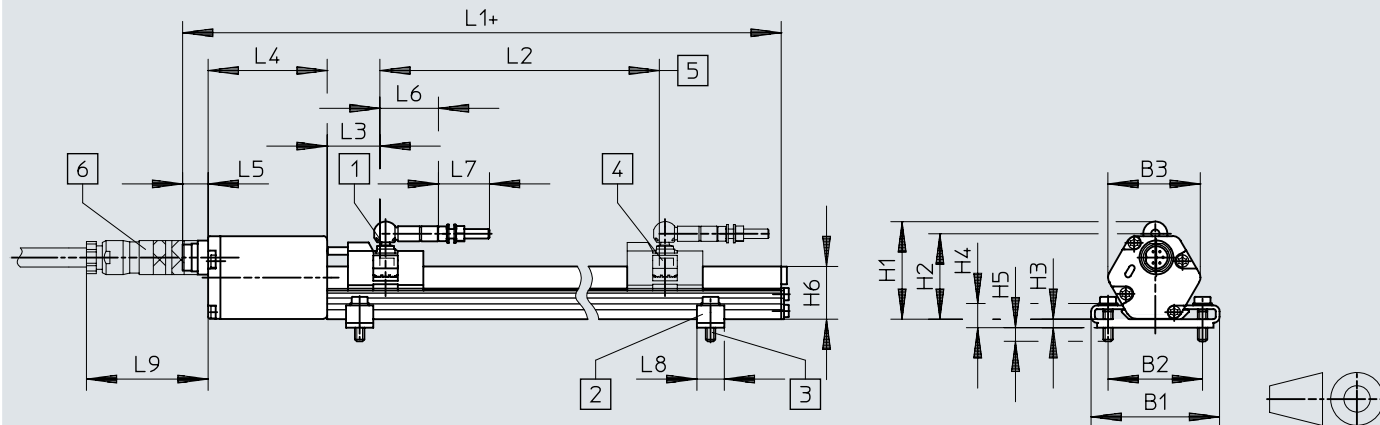
Materials

Material housing	Wrought aluminium alloy, Anodised
Material cover	Die-cast aluminium, Painted
Material slide housing	PBT-reinforced, Permanent magnet
Material slide coupling	Steel
Material mounting clips	PEI

Dimensions

Dimensions – Displacement encoders MME-MTS, digital

Download CAD data → www.festo.com




- [1] Position slide
- [2] Sliding mounting brackets are supplied
- [3] Socket head screw M5x20
- [4] Magnet
- [5] Measuring length – stroke
- [6] Plug is part of the axis interface SPC-AIF-MTS and soft stop SPC11-MTS-AIF

	B1	B2	B3	H1	H2	H3	H4	H5	H6	L1	L2 ¹⁾
MME-MTS-225-TLF-AIF										395	225
MME-MTS-300-TLF-AIF										470	300
MME-MTS-360-TLF-AIF										530	360
MME-MTS-450-TLF-AIF										620	450
MME-MTS-500-TLF-AIF										670	500
MME-MTS-600-TLF-AIF	68	50	49	51,6	45,2	4,5	12,8	7,2	27,9	770	600
MME-MTS-750-TLF-AIF										920	750
MME-MTS-1000-TLF-AIF										1170	1000
MME-MTS-1250-TLF-AIF										1420	1250
MME-MTS-1500-TLF-AIF										1670	1500
MME-MTS-1750-TLF-AIF										1920	1750
MME-MTS-2000-TLF-AIF										2170	2000

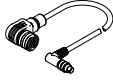
	L3	L4	L5	L6	L7	L8	L9
MME-MTS-225-TLF-AIF							
MME-MTS-300-TLF-AIF							
MME-MTS-360-TLF-AIF							
MME-MTS-450-TLF-AIF							
MME-MTS-500-TLF-AIF							
MME-MTS-600-TLF-AIF	28	63	13,5	31	27	14,5	65
MME-MTS-750-TLF-AIF							
MME-MTS-1000-TLF-AIF							
MME-MTS-1250-TLF-AIF							
MME-MTS-1500-TLF-AIF							
MME-MTS-1750-TLF-AIF							
MME-MTS-2000-TLF-AIF							

1) Stroke

Ordering data

Ordering data			
	Stroke	Part no.	Type
	225 mm	178310	MME-MTS-225-TLF-AIF
	300 mm	178309	MME-MTS-300-TLF-AIF
	360 mm	178308	MME-MTS-360-TLF-AIF
	450 mm	178307	MME-MTS-450-TLF-AIF
	500 mm	178306	MME-MTS-500-TLF-AIF
	600 mm	178305	MME-MTS-600-TLF-AIF
	750 mm	178304	MME-MTS-750-TLF-AIF
	1,000 mm	178303	MME-MTS-1000-TLF-AIF
	1,250 mm	178302	MME-MTS-1250-TLF-AIF
	1,500 mm	178301	MME-MTS-1500-TLF-AIF
	1,750 mm	178300	MME-MTS-1750-TLF-AIF
	2,000 mm	178299	MME-MTS-2000-TLF-AIF

Accessories

Connecting cable NEBP				
	Material housing	Cable length	Part no.	Type
	TPE-U(PUR)	2 m	575898	NEBP-M16W6-K-2-M9W5