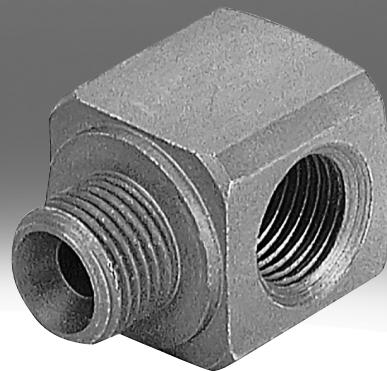


Elbow G

FESTO



Characteristics

At a glance

- Elbow
- With sealing ring
- Aluminium

Datasheet

General technical data

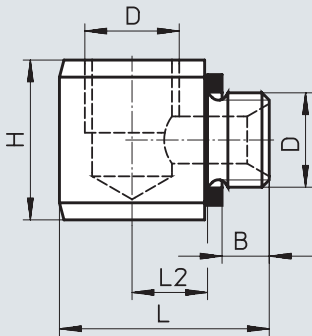
| | | | | |
|------------------------------|----|------|------|------|
| Pneumatic connection, port 1 | M5 | G1/8 | G1/4 | G3/8 |
| Pneumatic connection, port 2 | M5 | G1/8 | G1/4 | G3/8 |

Materials

| | |
|------------------------|-------------------|
| Note on materials | RoHS-compliant |
| LABS (PWIS) conformity | VDMA24364-B1/B2-L |


Dimensions

Dimensions – Elbow G

Download CAD data → www.festo.com

| | B | D | H | L | L2 |
|-----------|-----|------|----|------|------|
| G-M5-A/I | 3,5 | M5 | 10 | 14,7 | 5,2 |
| G-1/8-A/I | 5 | G1/8 | 16 | 22,8 | 8,3 |
| G-1/4-A/I | 6,5 | G1/4 | 22 | 28,9 | 10,4 |
| G-3/8-A/I | 8,5 | G3/8 | 27 | 32,9 | 11,4 |

Ordering data

| Ordering data | | | | | |
|---|-----------------|---------------------------------|---------------------------------|----------|-----------|
| | Short type code | Pneumatic connection, port 1 | Pneumatic connection, port 2 | Part no. | Type |
|  | G | M5 | M5 | 3558 | G-M5-A/I |
| | | G1/8 | G1/8 | 3614 | G-1/8-A/I |
| | | G1/4 | G1/4 | 3615 | G-1/4-A/I |
| | | G3/8 | G3/8 | 3616 | G-3/8-A/I |