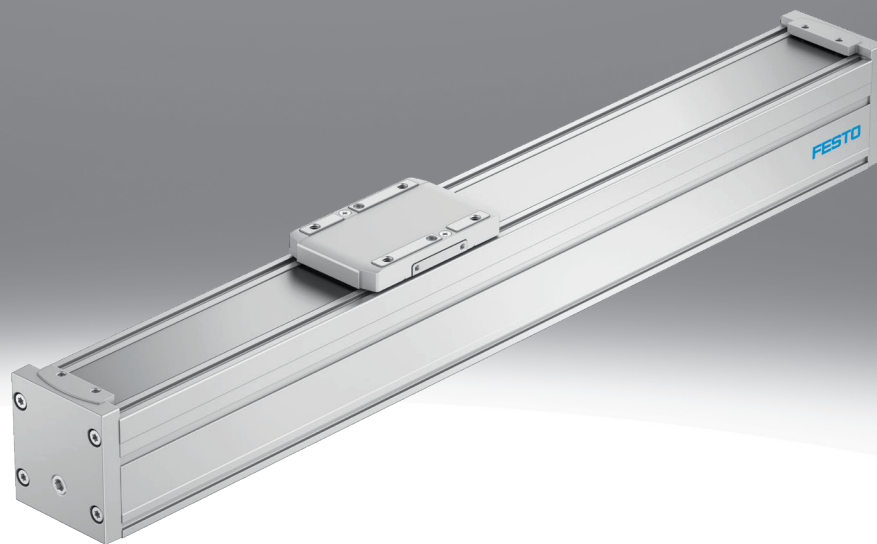


Guide axis ELFC

FESTO



Characteristics

At a glance

- Driveless linear guide units with guide and freely movable slide
- The guide axis is designed to support forces and torques in multi-axis applications
- High torsional resistance
- Reduced vibrations with dynamic loads
- Recommended for production systems for manufacturing lithium-ion batteries
- Drive axis and guide axis can be placed side by side or one above the other

Diagrams

Further information → [elfc](#)



The diagrams shown in this document are also available online. These can be used to display precise values.

Type code

001	Series
ELFC	Guide axis, without drive

002	Guide
KF	Recirculating ball bearing guide

003	Size
32	32
45	45
60	60
80	80

004	Stroke [mm]
100	100
200	200
300	300
400	400
500	500
600	600
800	800
1000	1000
1200	1200
1500	1500
1800	1800
2000	2000

Datasheet

General technical data

Size	32	45	60	80
Design	Guidance			
Guide	Recirculating ball bearing guide			
Mounting position	optional			
Working stroke	100 mm; 200 mm; 300 mm; 400 mm; 500 mm; 600 mm; 800 mm	100 mm; 200 mm; 300 mm; 400 mm; 500 mm; 600 mm; 800 mm; 1,000 mm; 1,200 mm; 1,500 mm	100 mm; 200 mm; 300 mm; 400 mm; 500 mm; 600 mm; 800 mm; 1,000 mm; 1,200 mm; 1,500 mm; 1,800 mm; 2,000 mm	
Displacement force	2 N	4.5 N	6.75 N	15 N
Max. speed	1.5 m/s			
Max. acceleration	15 m/s ²			
Position detection	Via proximity switch, Via inductive sensors			

Operating and environmental conditions

Ambient temperature ¹⁾	0 ... 50°C
Degree of protection	IP40
Duty cycle	100%
Cleanroom class	Class 7 according to ISO 14644-1
Maintenance interval	Life-time lubrication

1) Note operating range of the proximity switches

Weight

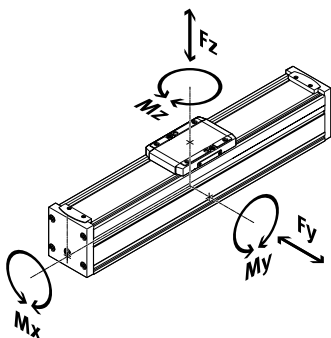
Size	32	45	60	80
Basic weight for 0 mm stroke ¹⁾	168 g	384 g	1,029 g	1,905 g
Additional weight per 10 mm stroke	11 g	23 g	43 g	73 g
Moving mass	61 g	144 g	407 g	815 g

1) Incl. slide

Materials

Material end cap	Painted die cast aluminium
Material slide	Die-cast aluminium
Material cover tape	High-alloy stainless steel
Material guide slide	Steel
Material profile	Anodised wrought aluminium alloy
Note on materials	RoHS-compliant
Suitability for the production of Li-ion batteries	Metals with more than 1% by mass of copper, zinc or nickel by mass are excluded from use. Exceptions are nickel in steel, chemically nickel-plated surfaces, printed circuit boards, cables, electrical plug connectors and coils

Load values



The indicated forces and torques refer to the centre of the guide. The point of application is the intersection of the centre of the guide and the centre of the length of the slide. They must not be exceeded in dynamic operation. Special attention must be paid to the deceleration process.

Datasheet

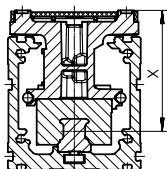
Permissible forces and torques on the overall axis (strength limits)

Size	32	45	60	80
Max. force F _y total axis	150 N	300 N	600 N	900 N
Max. force F _z total axis	300 N	600 N	1,800 N	2,700 N
Max. moment M _x total axis	1.3 Nm	5.5 Nm	29.1 Nm	59.8 Nm
Max. moment M _y total axis	1.1 Nm	4.7 Nm	31.8 Nm	56.2 Nm
Max. moment M _z total axis	1.1 Nm	4.7 Nm	31.8 Nm	56.2 Nm

Permissible forces and moments for the guide calculation with reference service life

Size	32	45	60	80
Reference service life	5,000 km			
Max. force F _y	356 N	880 N	3,641 N	5,543 N
Max. force F _z	356 N	880 N	3,641 N	5,543 N
Max. moment M _x	1.3 Nm	5.5 Nm	29.1 Nm	59.8 Nm
Max. moment M _y	1.1 Nm	4.7 Nm	31.8 Nm	56.2 Nm
Max. moment M _z	1.1 Nm	4.7 Nm	31.8 Nm	56.2 Nm

Distance x from the slide surface to the centre of the guide



Distance x:

Sizes 32/45/60/80

Dimension x: 31.4 mm / 42.8 mm / 54.6 mm / 72.5 mm

Calculating the load comparison factor

$$f_v = \frac{|F_{y1}|}{F_{y2}} + \frac{|F_{z1}|}{F_{z2}} + \frac{|M_{x1}|}{M_{x2}} + \frac{|M_{y1}|}{M_{y2}} + \frac{|M_{z1}|}{M_{z2}} \leq 1$$

If the axis is subjected to several of the indicated forces and torques at the same time, the following equation must be satisfied in addition to the indicated maximum loads.

For a guide system to have a service life of 5000 km, the load comparison factor must have a value of $f_v < 1$, based on the maximum permissible forces and torques for a service life of 5000 km. This formula can be used to calculate a guide value. The engineering software “Electric Motion Sizing” is available for more precise calculations.

F1 / M1 = dynamic value

F2 / M2 = maximum value

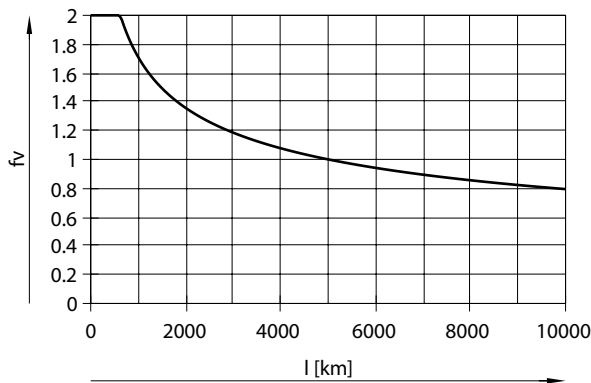
Calculating the service life of the guide

The service life of the guide depends on the load. To be able to provide an indication of the service life of the guide, the graph below plots the load comparison factor f_v against the service life.

These values are only theoretical. You must consult your local Festo contact for a load comparison factor f_v greater than 1.

Datasheet

Load comparison factor f_v as a function of service life l



Example:

A user wants to move a X kg load. The calculation gives a value of 1.5 for the load comparison factor f_v . According to the graph, the guide would have a service life of approx. 1500 km. Reducing the acceleration reduces the M_y and M_z values. A load comparison factor f_v of 1 now results in a service life of 5000 km.

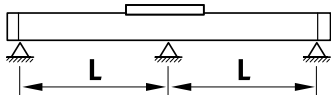
Permissible forces and torques at a theoretical service life of 100 km (pure guide load)

The characteristic load values of the bearing guides are standardised to ISO and JIS using dynamic and static forces and torques. These forces and torques are based on an expected service life of the guide system of 100 km to ISO or 50 km to JIS. As the characteristic load values are dependent on the service life, the maximum permissible forces and torques for a 5000 km service life cannot be compared with the dynamic forces and torques of roller guides to ISO/JIS.

To make it easier to compare the guide capacity of linear axes ELGC with bearing guides, the table below lists the theoretically permissible forces and torques for a calculated service life of 100 km. This corresponds to the dynamic forces and torques to ISO. These 100 km values have been calculated mathematically and are only to be used for comparing with dynamic forces and torques to ISO. The drives must not be loaded with these characteristic values as this could damage the axes.

Size	32	45	60	80
F_y at theoretical life value of 100 km (only guide consideration)	1,310 N	3,240 N	13,400 N	20,400 N
F_z at theoretical life value of 100 km (only guide consideration)	1,310 N	3,240 N	13,400 N	20,400 N
M_x at theoretical life value of 100 km (only guide consideration)	5 Nm	20 Nm	107 Nm	220 Nm
M_y at theoretical life value of 100 km (only guide consideration)	4 Nm	17 Nm	117 Nm	207 Nm
M_z at theoretical life value of 100 km (only guide consideration)	4 Nm	17 Nm	117 Nm	207 Nm

Max. permissible support spacing L (without profile mounting) as a function of force

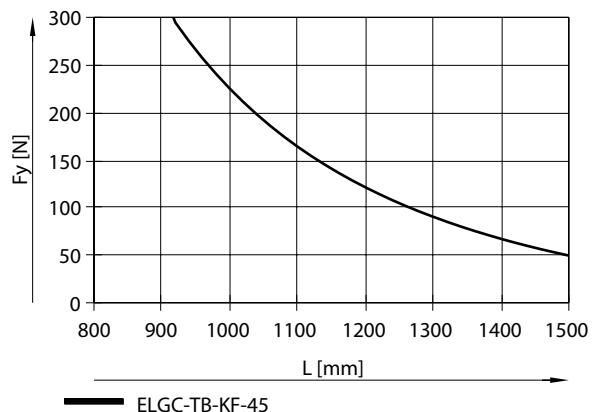


The axis may need to be supported in order to limit deflection in the case of long strokes.

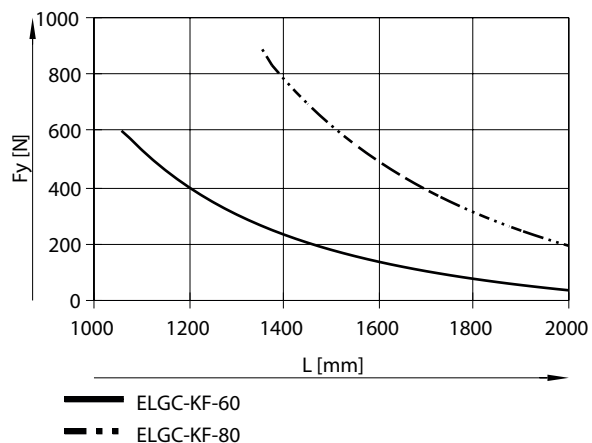
The following graphs can be used to determine the maximum permissible support spacing L as a function of force F acting on the axis. The deflection is $f = 0.5$ mm.

Datasheet

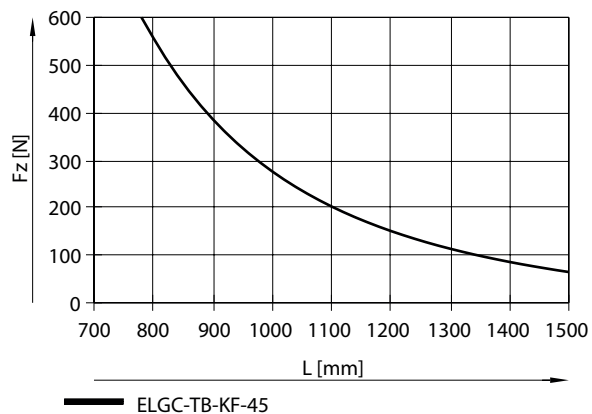
Max. permissible support spacing L (without profile mounting) as a function of force F_y for size 45



Max. permissible support spacing L (without profile mounting) as a function of force F_y for size 60/80

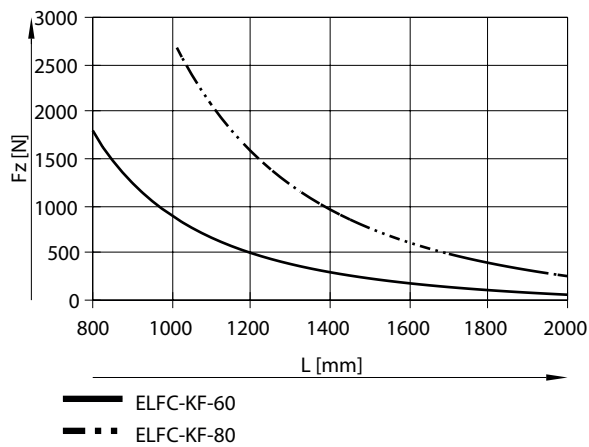


Max. permissible support spacing L (without profile mounting) as a function of force F_z for size 45

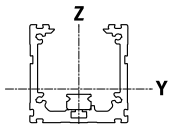


Datasheet

Max. permissible support spacing L (without profile mounting) as a function of force Fz for sizes 60/80



2nd moment of area



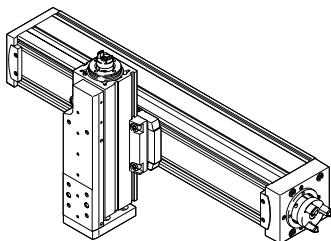
Size	32	45	60	80
2nd moment of area Iy	38,000 mm ⁴	140,000 mm ⁴	441,000 mm ⁴	1,370,000 mm ⁴
2nd moment of area Iz	45,000 mm ⁴	170,000 mm ⁴	542,000 mm ⁴	1,660,000 mm ⁴

Recommended deflection limits

Adherence to the following deflection limits is recommended so as not to impair the functionality of the axes. Greater deformation can result in increased friction, more wear and reduced service life.

Dynamic deflection (moving load)	0.05% of the axis length, max. 0.5 mm
Static deflection (load in standstill)	0.1% of the axis length

Combinations between axis ELGC, ELGS, mini slide EGSC-BS, EGSS-BS, electric cylinder EPCC, EPCS and guide axis ELFC



Mounting options with profile mounting EAHF-L2-...-P-D

- Mounting option: base axis with one-size-down assembly axis

1. Base axis:

Product: ELGC, ELGS, ELFC

Sizes 32, 45, 60, 80

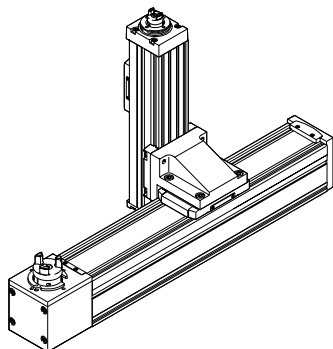
2. Assembly axis:

Product: ELGC, ELGS, EGSC, EGSS, EPCC, EPCS, ELFC

Sizes 25, 32, 45, 60

Datasheet

Combinations between axis ELGC, ELGS, mini slide EGSC-BS, EGSS-BS, electric cylinder EPCC, EPCS and guide axis ELFC

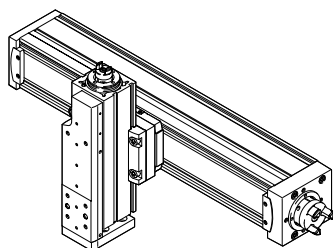


Mounting options with angle kit EHAA-D-L2-...-AP

- Mounting option: base axis with one-size-down assembly axis

1. Base axis:
Product: ELGC, ELGS, ELFC
Sizes 32, 45, 60, 80
2. Assembly axis:
Product: ELGC, ELGS, EGSC, EGSS, EPCC, EPCS, ELFC
Sizes 25, 32, 45, 60

Combinations between axis ELGC, ELGS, mini slide EGSC-BS, EGSS-BS, electric cylinder EPCC, EPCS and guide axis ELFC

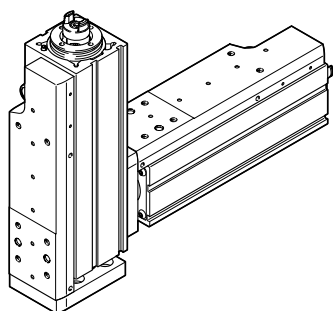


Mounting options with adapter kit EHAA-D-L2

- Mounting option: base axis with same size assembly axis
- Mounting option: base axis with height compensation for one-size-down assembly axis
- When motors are mounted using parallel kits, interfering contours may occur. In this case, the adapter plate is required for height compensation

1. Base axis:
Product: ELGC, ELGS, ELFC
Sizes 32, 45, 60, 80
2. Assembly axis:
Product: ELGC, ELGS, EGSC, EGSS, EPCC, EPCS, ELFC
Sizes 25, 32, 45, 60, 80

Combinations between mini slides EGSC-BS, EGSS-BS



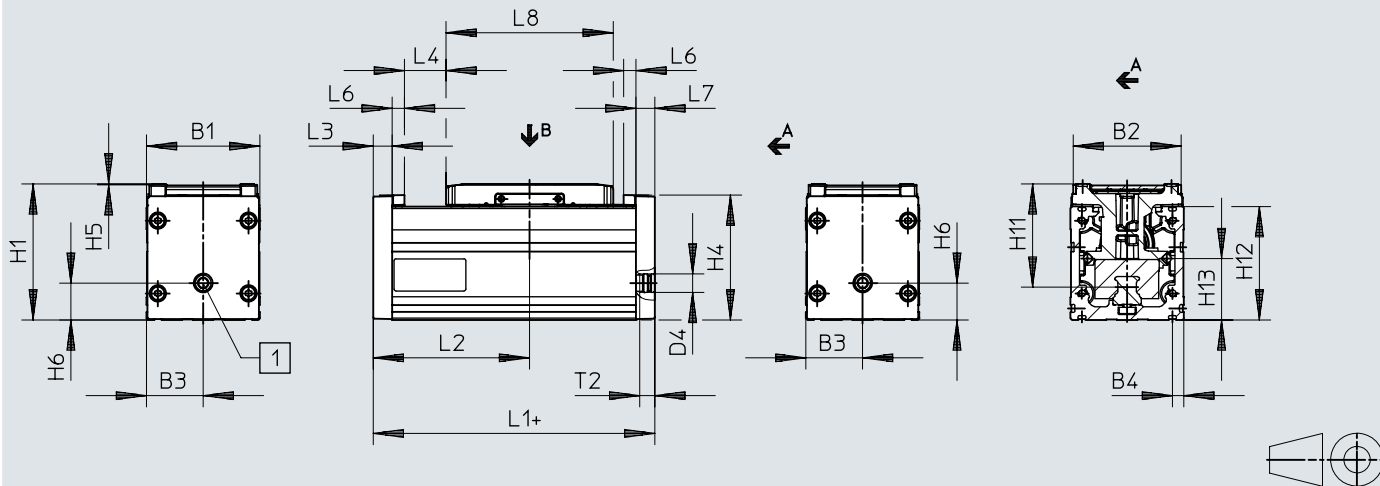
Mounting options with direct mounting

- Mounting option: base axis with same size assembly axis

1. Base axis:
Product: EGSC, EGSS
Sizes 25, 32, 45, 60
2. Assembly axis:
Product: EGSC, EGSS
Sizes 25, 32, 45, 60

Dimensions

Download CAD data → www.festo.com



- [1] Sealing air connection (D4)
- [2] + = plus stroke length

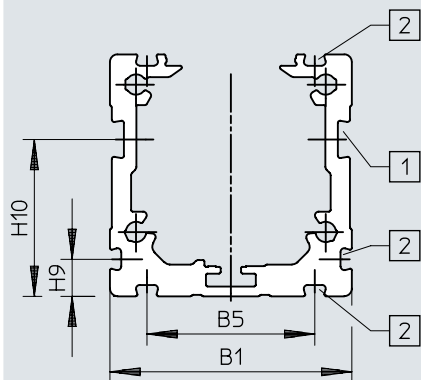
	B1	B2	B3	B4	D4	H1	H4	H5	H6	H11
ELFC-KF-32	32	29,6	16	4,9	M5	38,5	35,6	0,3	8	31,4
ELFC-KF-45	45	42,6	22,5	6,1	G1/8	54	49,6	0,5	12,5	42,8
ELFC-KF-60	60	57,1	30	6,1	G1/8	72	66,1	0,5	19,5	54,6
ELFC-KF-80	80	77,1	40	6,1	G1/8	96	88,1	0,5	20	72,5

	H12	H13	L1	L2	L3	L4	L6	L7	L8	T2
				min.		min.				
ELFC-KF-32	32	13,7	87	40,5	5	1,5	4,5	5	59	5,5
ELFC-KF-45	45	18,5	110,5	48,8	7	1,5	6,5	7	67,5	8
ELFC-KF-60	60	32,5	130,5	62,3	10	1,5	6,5	10	88,5	8
ELFC-KF-80	80	41,5	152	73	12	1,5	6,5	12	106	8

Dimensions

Dimensions – Profile, size 32

Download CAD data → www.festo.com



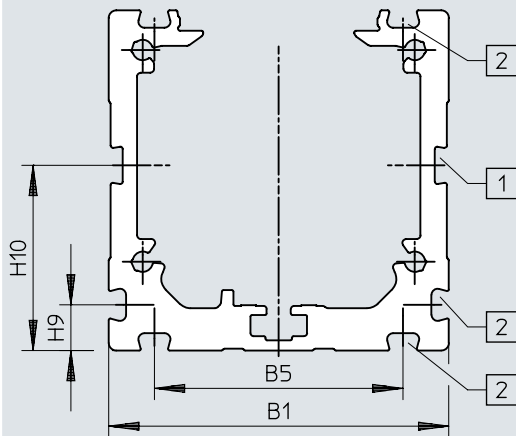
- [1] = Slot for sensor bracket
- [2] = Mounting slot

	B1	B5	H9	H10
ELFC-KF-32	32	22,2	4,9	20,8

Dimensions

Dimensions – Profile, size 45

Download CAD data → www.festo.com



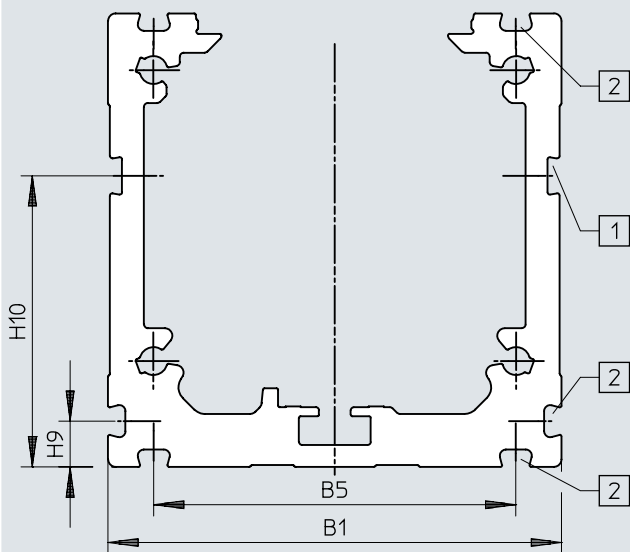
- [1] = Slot for sensor bracket
- [2] = Mounting slot

	B1	B5	H9	H10
ELFC-KF-45	45	32,9	6,1	24,5

Dimensions

Dimensions – Profile, size 60

Download CAD data → www.festo.com

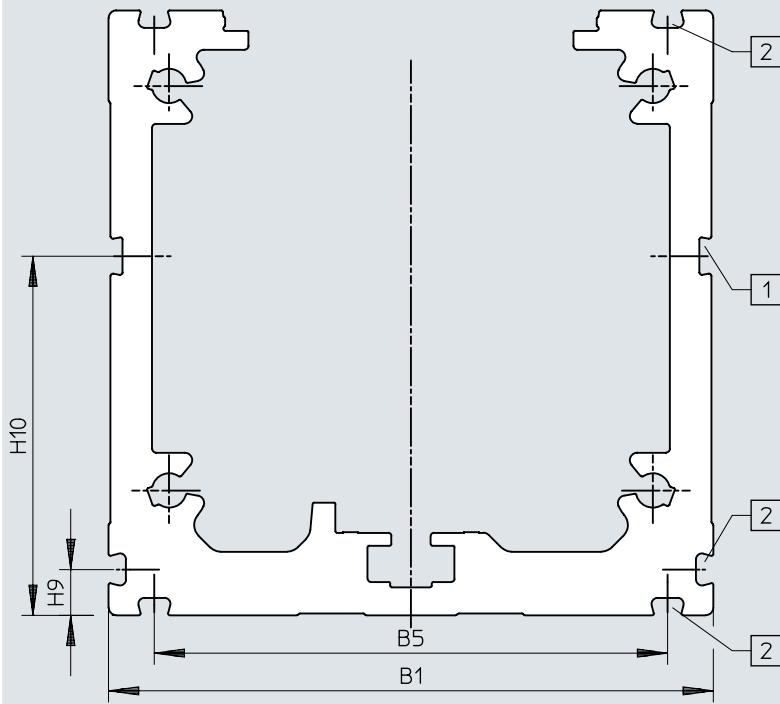


- [1] = Slot for sensor bracket
- [2] = Mounting slot

	B1	B5	H9	H10
ELFC-KF-60	60	47,9	6,1	38,5

Dimensions

Download CAD data → www.festo.com



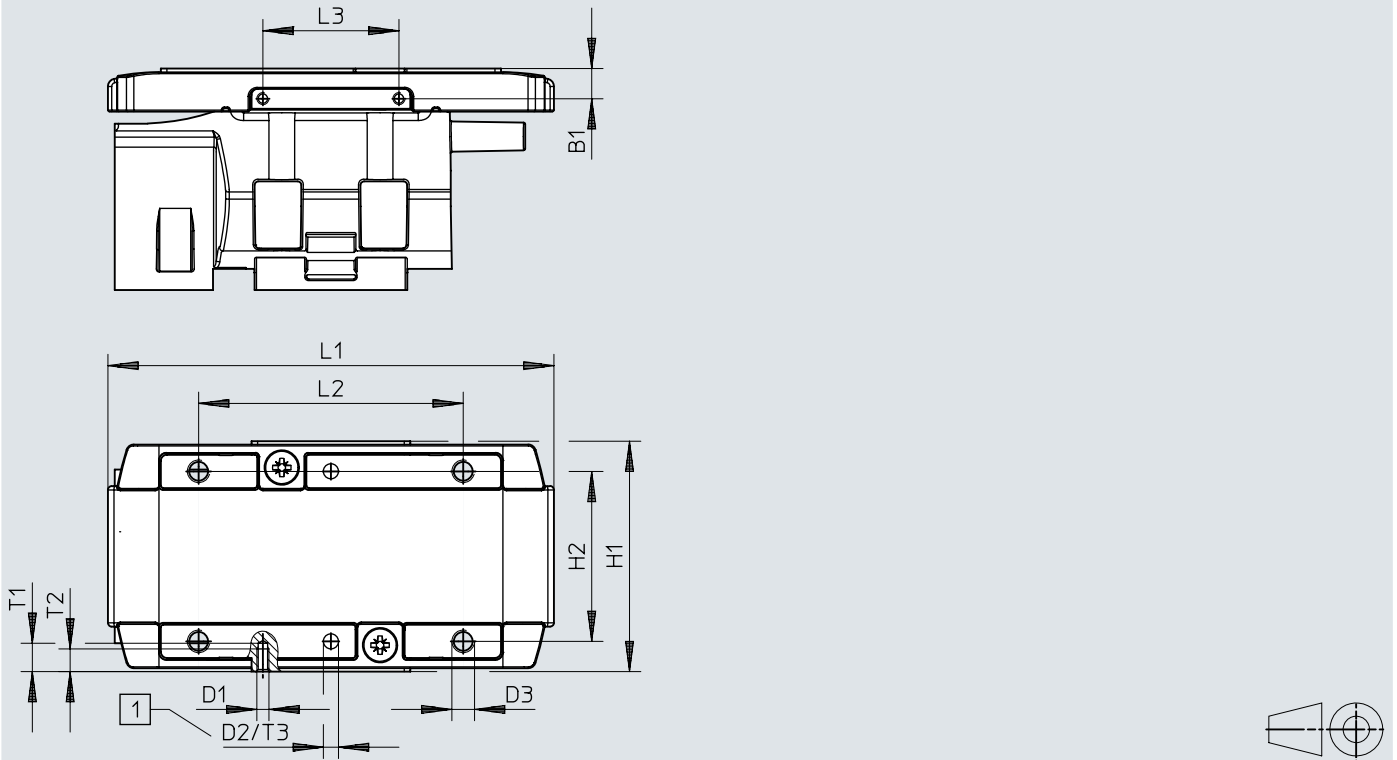
- [1] = Slot for sensor bracket
- [2] = Mounting slot

	B1	B5	H9	H10
ELFC-KF-80	80	67,9	6,1	47,5

Dimensions

Dimensions – Slide, size 32

Download CAD data → www.festo.com



[1] Drilled hole for centring pin ZBS

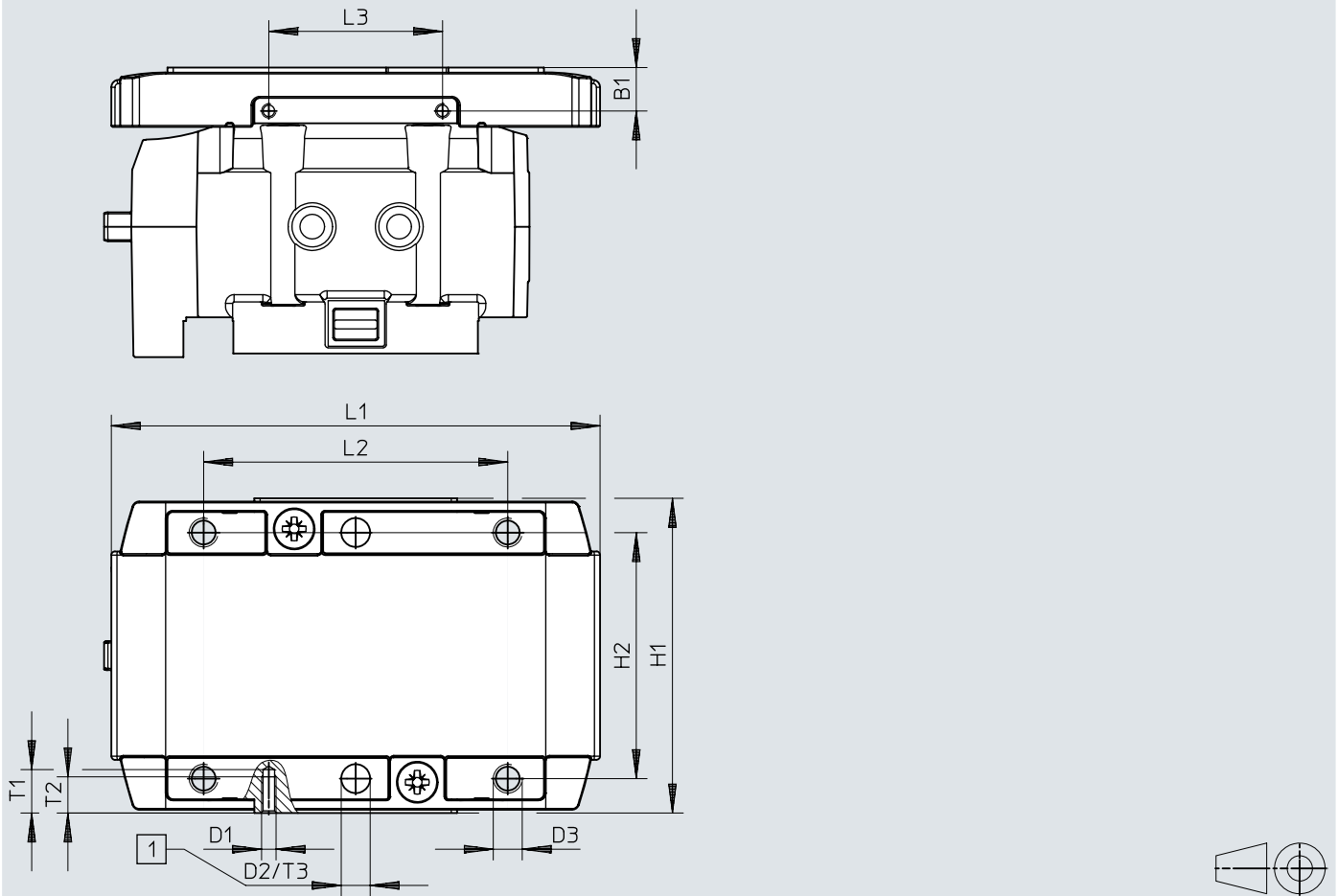
	B1	D1	D2 ∅ H8	D3	H1	H2 ±0,1 bei D2 ±0,03	L1	L2	L3	T1	T2	T3	T4 ¹⁾
ELFC-KF-32	±0,1 4	M1,6	2	M3	±0,1 30,5	±0,1 22,5	59	±0,1 35	±0,1 18	3,8	3	+0,1 3,1	4 ... 5

1) Recommended screw-in depth

Dimensions

Dimensions – Slide, size 45

Download CAD data → www.festo.com



[1] Drilled hole for centring pin ZBS

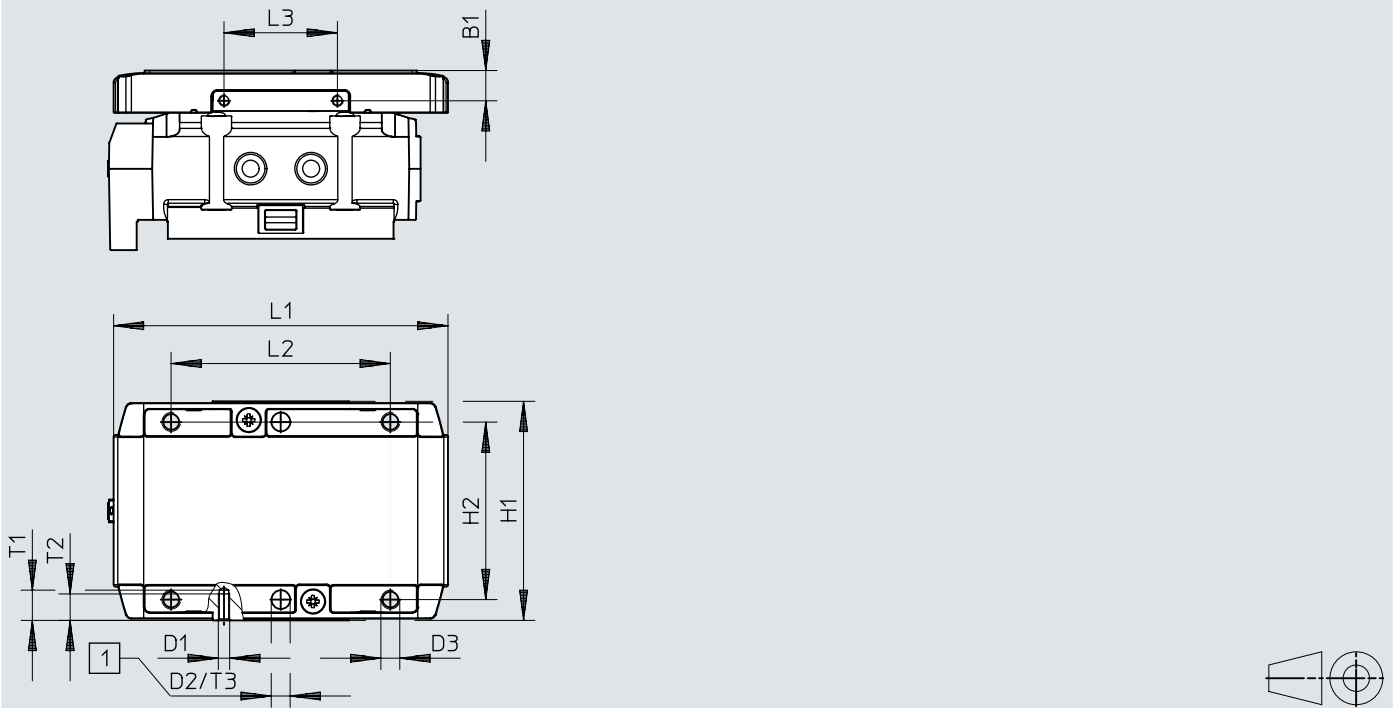
	B1	D1	D2 ∅ H8	D3	H1	H2 ±0,1 bei D2 ±0,03	L1	L2 ±0,1	L3 ±0,1	T1	T2	T3 +0,1	T4 ¹⁾
ELFC-KF-45	6	M2	4	M4	43,5	34	67,5	42	24	6	5	3,1	6 ... 7,5

1) Recommended screw-in depth

Dimensions

Dimensions – Slide, size 60

Download CAD data → www.festo.com



[1] Hole for centring sleeve ZBH

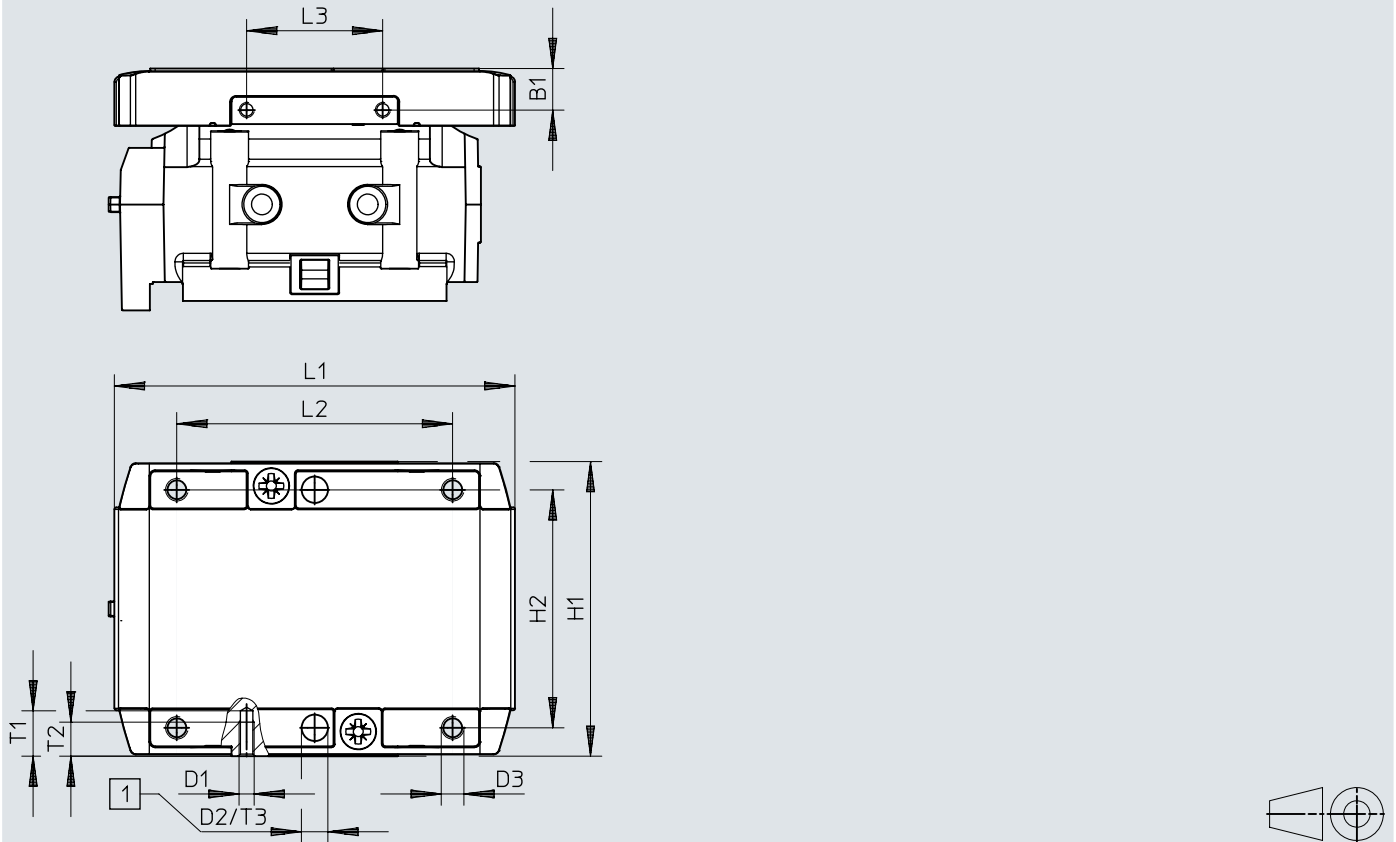
	B1	D1	D2 ∅ H8	D3	H1	H2 ±0,1 bei D2 ±0,03	L1	L2 ±0,1	L3 ±0,1	T1	T2	T3 +0,1	T4 ¹⁾
ELFC-KF-60	8	M3	5	M5	58	47	88,5	58	30	9	7	1,3	8,5 ... 10

1) Recommended screw-in depth

Dimensions

Dimensions – Slide, size 80

Download CAD data → www.festo.com



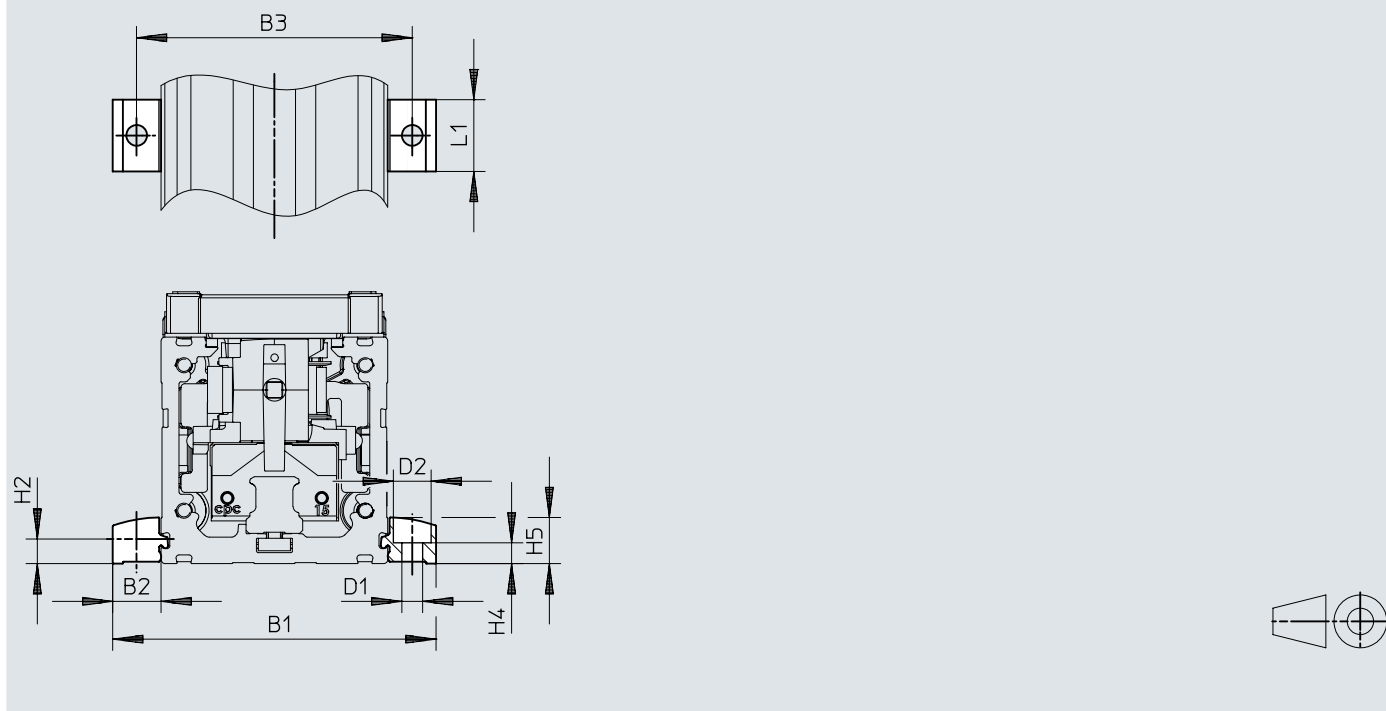
[1] Hole for centring sleeve ZBH

	B1	D1	D2 ∅ H8	D3	H1	H2 ±0,1 bei D2 ±0,03	L1	L2	L3	T1	T2	T3	T4 ¹⁾
ELFC-KF-80	±0,1 11	M4	7	M6	±0,1 78	63	106	±0,1 73	±0,1 36	12	9	±0,1 1,6	11 ... 14

1) Recommended screw-in depth

Dimensions

Dimensions – Profile mounting EAHF-L2-...-P-S

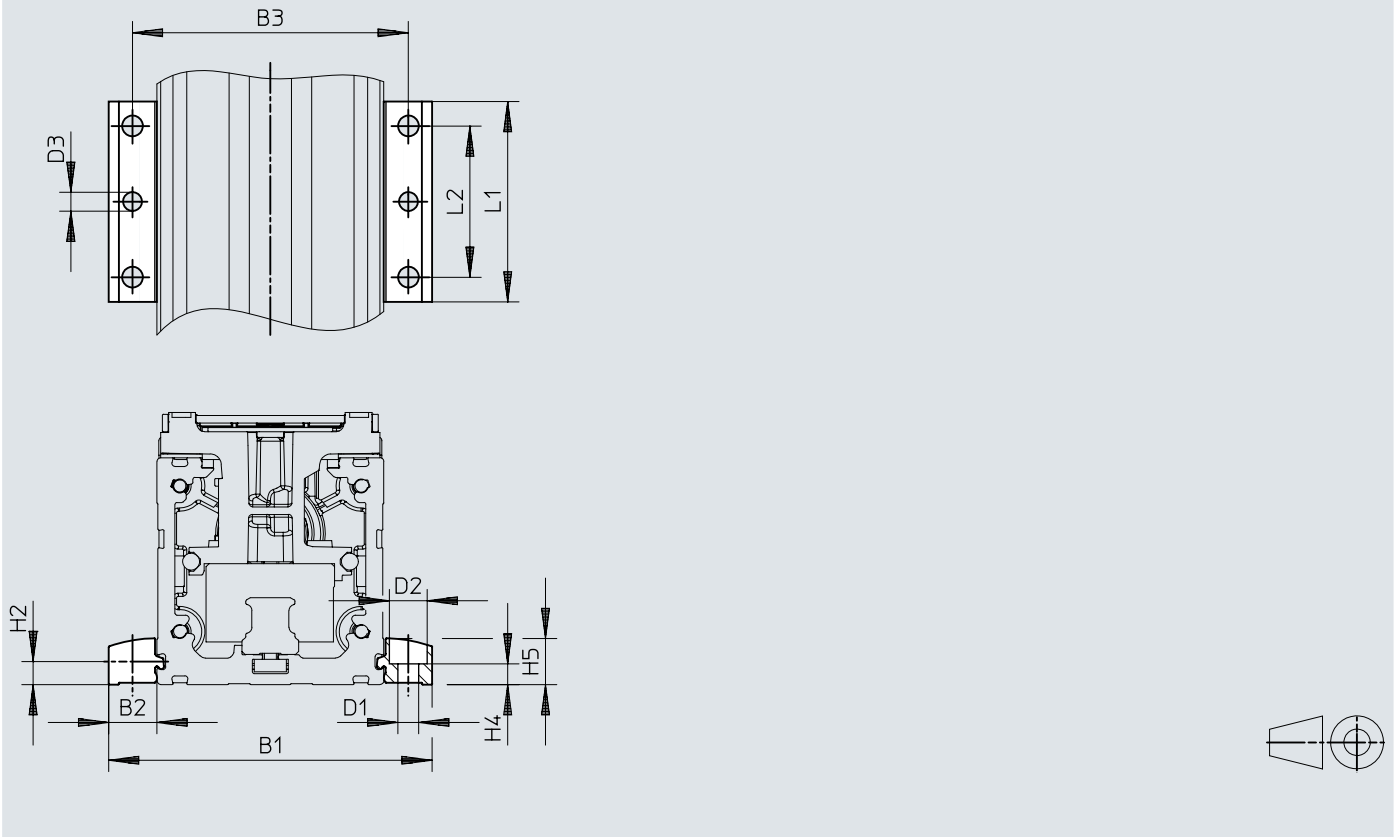
Download CAD data → www.festo.com

		B1	B2	B3	D1 ∅ H13	D2 ∅ H13	H2	H4 ±0,1	H5	L1
EAHF-L2-25-P-S	ELFC-KF-32	51,4	9,7	42	4,5	8	4,9	4,2	9	19
EAHF-L2-45-P-S	ELFC-KF-45	70,6	12,8	58	5,5	10	6,1	5,5	12,2	19
EAHF-L2-45-P-S	ELFC-KF-60	85,6	12,8	73	5,5	10	6,1	5,5	12,2	19
EAHF-L2-45-P-S	ELFC-KF-80	105,6	12,8	93	5,5	10	6,1	5,5	12,2	19

Dimensions

Dimensions – Profile mounting EAHF-L2-...-P

Download CAD data → www.festo.com

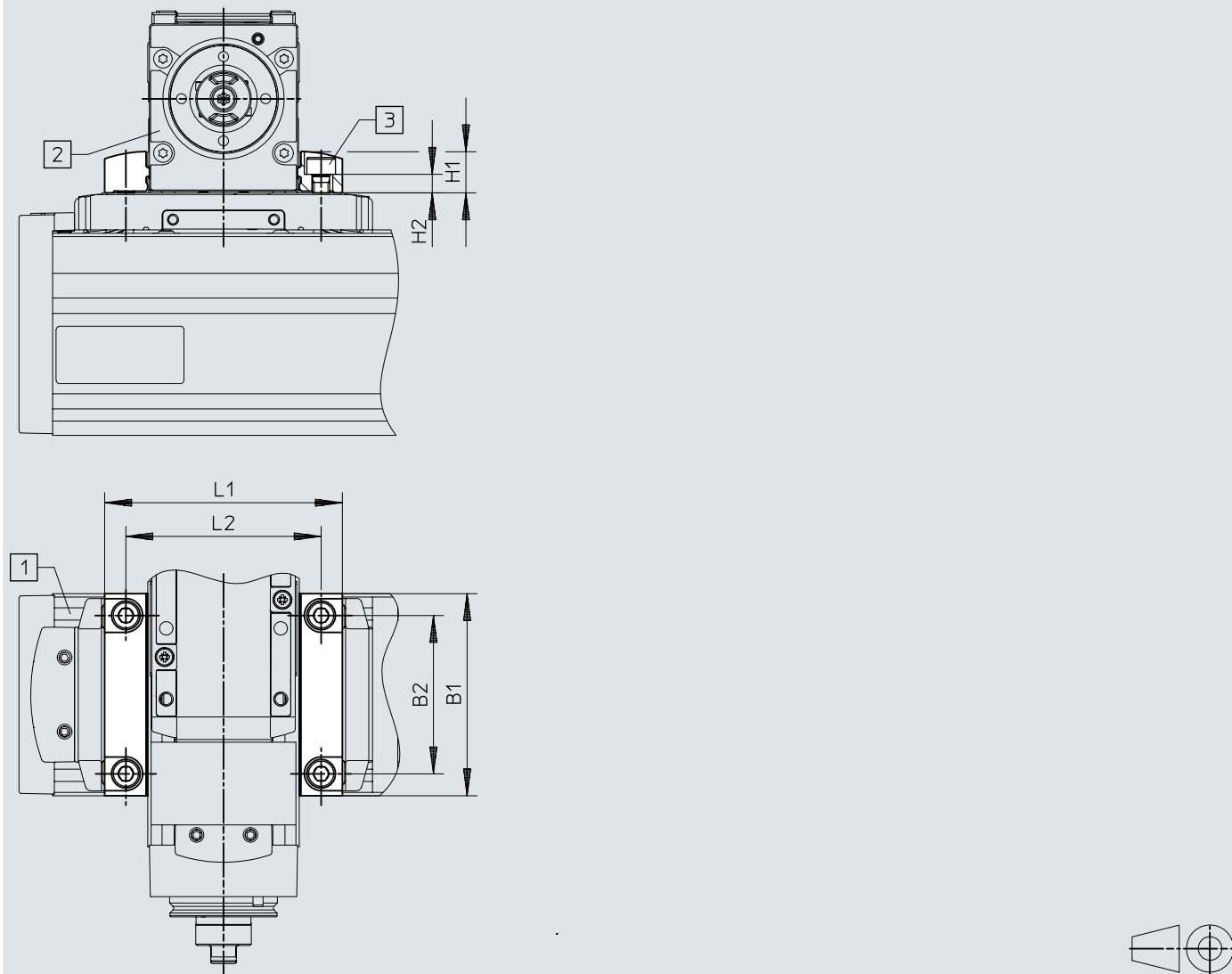


		B1	B2	B3	D1 ∅ H13	D2 ∅ H13	D3 ∅	H2	H4 ±0,1	H5	L1	L2
EAHF-L2-25-P	ELFC-KF-32	51,4	9,7	42	4,5	8	4	4,9	4,2	9	53	40
EAHF-L2-45-P	ELFC-KF-45	70,6	12,8	58	5,5	10	5	6,1	5,5	12,2	53	40
EAHF-L2-45-P	ELFC-KF-60	85,6	12,8	73	5,5	10	5	6,1	5,5	12,2	53	40
EAHF-L2-45-P	ELFC-KF-80	105,6	12,8	93	5,5	10	5	6,1	5,5	12,2	53	40

Dimensions

Dimensions – Profile mounting EAHF-L2-...-P-D...

Download CAD data → www.festo.com



- [1] Base axis
- [2] Assembly axis
- [3] Screw: size 32-ISO 4762-M3x10-10.9; size 45-ISO 4762-M4x10-8.8; size 60-ISO 4762-M5x16-10.9; size 80-ISO 4762-M6x16-10.9

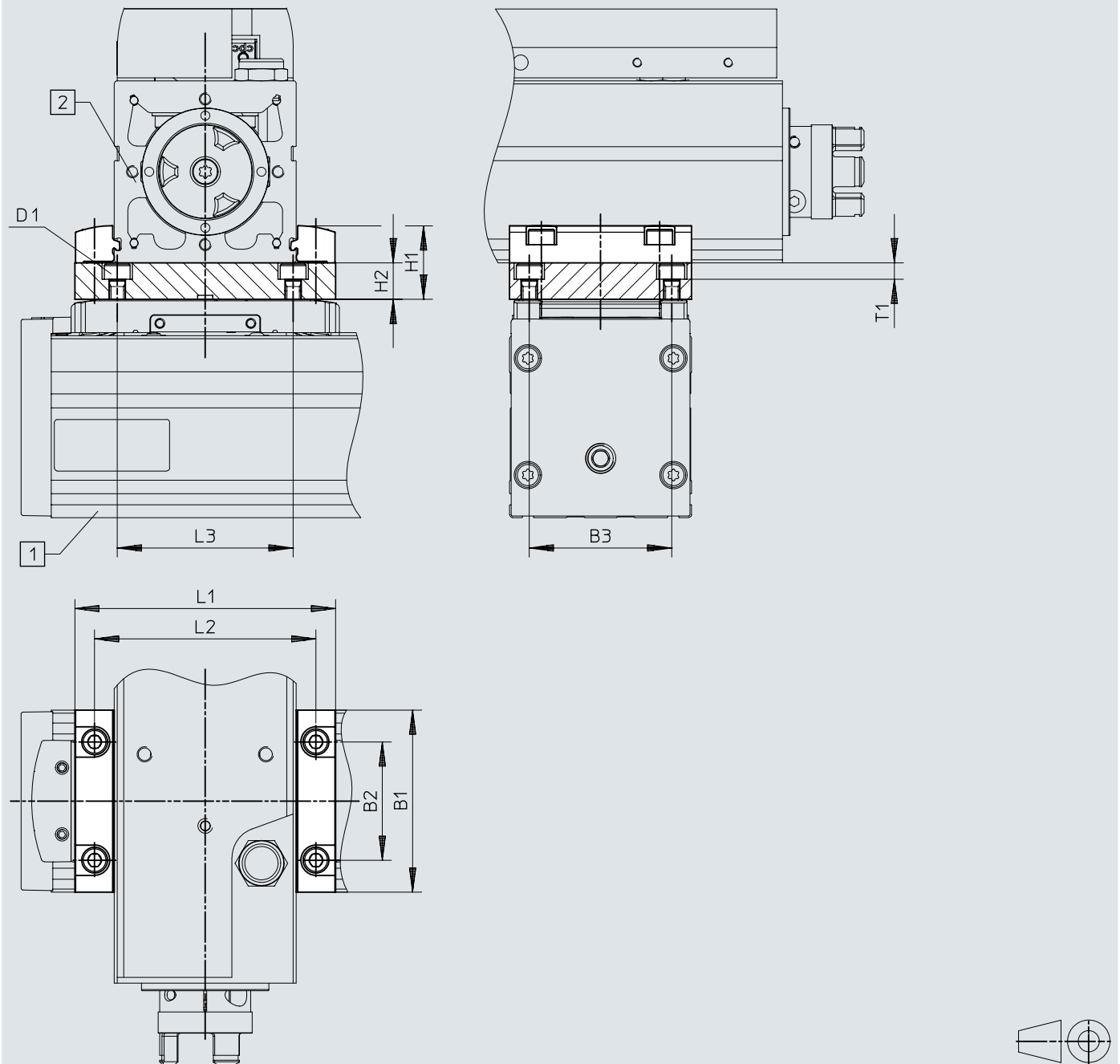
	1)	B1	B2	D1	H1	H2 ±0,1	L1	L2
EAHF-L2-25-P-D1	32/25	32	22,5	M3	9	5,1	44,4	35
EAHF-L2-25-P-D2	45/32	45	34	M4	9	3,7	51,4	42
EAHF-L2-45-P-D3	60/45	60	47	M5	12,2	5,5	70,6	56
EAHF-L2-45-P-D4	80/60	78	63	M6	12,2	4,5	85,6	73

1) Base axis/assembly axis

Dimensions

Dimensions – Adapter kit EHAA-D-L2

Download CAD data → www.festo.com



- [1] Base axis
- [2] Assembly axis

Dimensions

	1)	B1	B3 ±0,05	D1	H1	H2	L1	L2	L3	T1
EHAA-D-L2-32-L2-32	32/25	32	22,5	M3	19	10	44,4	35	35	4,2
EHAA-D-L2-45-L2-45	45/32	45	34	M4	19	10	51,4	42	42	5,4
EHAA-D-L2-60-L2-60	60/45	60	47	M5	24,2	12	70,6	58	58	5,4
EHAA-D-L2-80-L2-80	80/60	78	63	M6	24,2	12	85,6	73	73	6,4

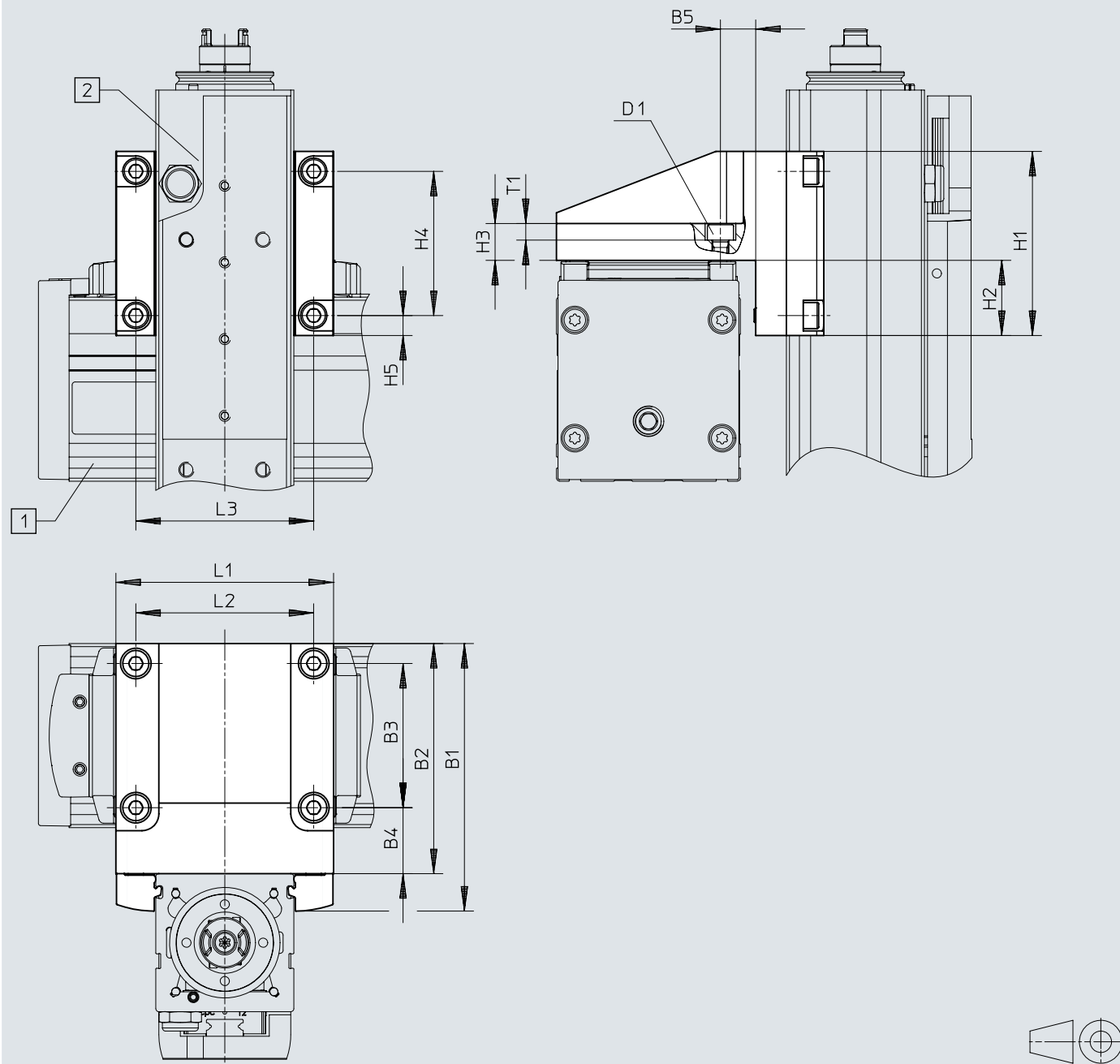
	1)	B1	B2	B3 ±0,05	D1	H1	H2	L1	L2	L3	T1
EHAA-D-L2-32-L2-32	32/32	32	14,5	22,5	M3	19	10	52	42	35	4,2
EHAA-D-L2-45-L2-45	45/45	45	32	34	M4	22,2	10	71	58	42	5,4
EHAA-D-L2-60-L2-60	60/60	60	39	47	M5	24,2	12	86	73	58	5,4
EHAA-D-L2-80-L2-80	80/80	78	63	63	M6	24,2	12	106	93	73	6,4

1) Base axis/assembly axis

Dimensions

Dimensions – Angle kit EHAA-D-L2-...-AP

Download CAD data → www.festo.com



- [1] Base axis
- [2] Assembly axis

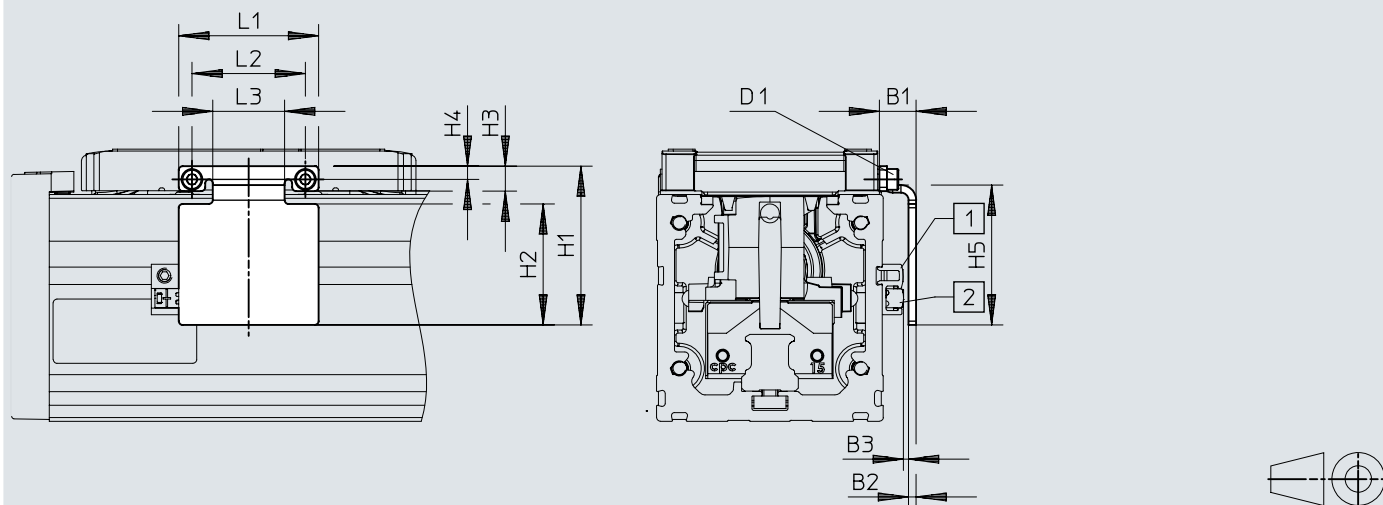
	1)	B1	B2	B3	B4	B5	D1	H1	H2	H3	H4	H5	L1	L2	L3	T1
EHAA-D-L2-32-L2-25-AP	32	53	44	22,5	16,8	8,8	M3	32	11	10	22,5	4,8	45	35	35	4,2
EHAA-D-L2-45-L2-32-AP	45	69	60	34	20,5	11,5	M4	45	17,5	10	34	5,5	52	42	42	5,4
EHAA-D-L2-60-L2-45-AP	60	87,2	75	47	21,5	11,5	M5	60	24,5	12	47	6,5	71	58	58	5,4
EHAA-D-L2-80-L2-60-AP	80	107,2	95	63	23,5	13,5	M6	78	33,5	12	63	7,5	86	73	73	6,4

1) For size

Dimensions

Dimensions – Switch lug EAPM-L2-SLS

Download CAD data → www.festo.com



- [1] Sensor bracket
- [2] Proximity switch

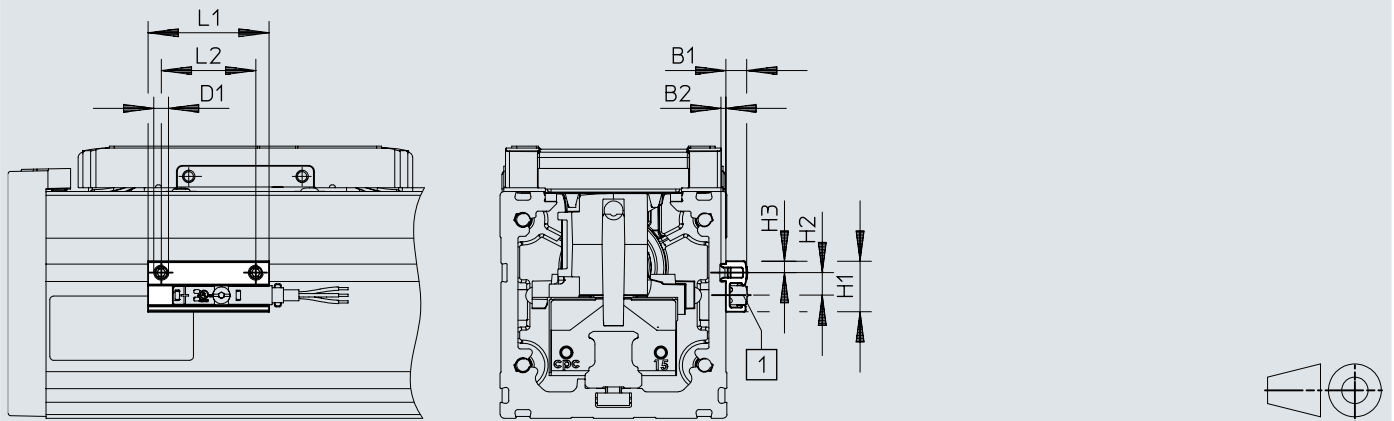
	1)	B1	B2	B3	D1	H1 ±0,2	H2	H3	H4	H5 ±0,2	L1 ±0,2	L2 ±0,15	L3
EAPM-L2-32-SLS	32	9,2	2	1,0±0,31	M1,6	27	19	4,3	2,5	24	22	18	10
EAPM-L2-45-SLS	45	9,4	2	1,2±0,31	M2	37	28	5,5	3,3	33	30	24	14
EAPM-L2-60-SLS	60	9,7	2	1,3±0,31	M3	42	32	6,6	3,5	37	37	30	19
EAPM-L2-80-SLS	80	9,5	2	1,1±0,32	M4	53,5	42	8,3	4,5	47	44,6	36	23,4

1) For size

Dimensions

Dimensions – Sensor bracket EAPM-L2-SH


Download CAD data → www.festo.com



[1] Proximity switch

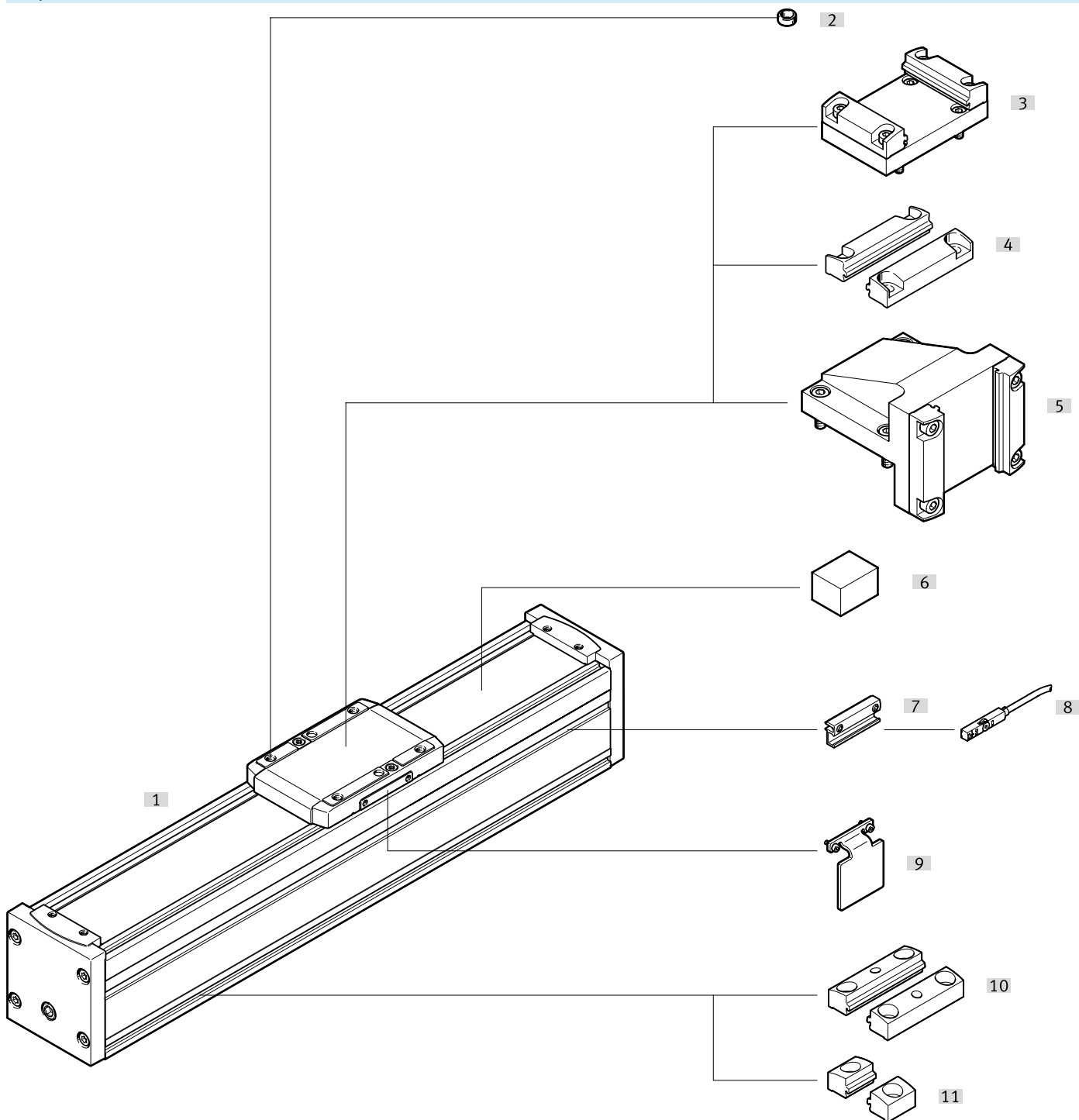
		B1	B2	D1	H1	H2	H3	L1	L2
EAPM-L2-SH	ELFC-KF-32	5,5	1,3	M4	13,4	6	3	32	25
	ELFC-KF-45								
	ELFC-KF-60								
	ELFC-KF-80								

Ordering data

Ordering data				
	Size	Working stroke	Part no.	Type
	32	100 mm	8062796	ELFC-KF-32-100
		200 mm	8062797	ELFC-KF-32-200
		300 mm	8062798	ELFC-KF-32-300
		400 mm	8062799	ELFC-KF-32-400
		500 mm	8062800	ELFC-KF-32-500
		600 mm	8062801	ELFC-KF-32-600
		800 mm	8062876	ELFC-KF-32-800
	45	100 mm	8062802	ELFC-KF-45-100
		200 mm	8062803	ELFC-KF-45-200
		300 mm	8062804	ELFC-KF-45-300
		400 mm	8062805	ELFC-KF-45-400
		500 mm	8062806	ELFC-KF-45-500
		600 mm	8062807	ELFC-KF-45-600
		800 mm	8062808	ELFC-KF-45-800
		1,000 mm	8062809	ELFC-KF-45-1000
		1,200 mm	8062810	ELFC-KF-45-1200
	1,500 mm	8062811	ELFC-KF-45-1500	
	60	100 mm	8062812	ELFC-KF-60-100
		200 mm	8062813	ELFC-KF-60-200
		300 mm	8062814	ELFC-KF-60-300
		400 mm	8062815	ELFC-KF-60-400
		500 mm	8062816	ELFC-KF-60-500
		600 mm	8062817	ELFC-KF-60-600
		800 mm	8062818	ELFC-KF-60-800
		1,000 mm	8062819	ELFC-KF-60-1000
		1,200 mm	8062820	ELFC-KF-60-1200
		1,500 mm	8062821	ELFC-KF-60-1500
		1,800 mm	8062822	ELFC-KF-60-1800
	2,000 mm	8062823	ELFC-KF-60-2000	
	80	100 mm	8062824	ELFC-KF-80-100
		200 mm	8062825	ELFC-KF-80-200
		300 mm	8062826	ELFC-KF-80-300
		400 mm	8062827	ELFC-KF-80-400
		500 mm	8062828	ELFC-KF-80-500
		600 mm	8062829	ELFC-KF-80-600
800 mm		8062830	ELFC-KF-80-800	
1,000 mm		8062831	ELFC-KF-80-1000	
1,200 mm		8062832	ELFC-KF-80-1200	
1,500 mm		8062833	ELFC-KF-80-1500	
1,800 mm		8062834	ELFC-KF-80-1800	
2,000 mm		8062835	ELFC-KF-80-2000	

Peripherals

Peripherals overview



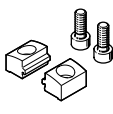
Accessories		→ Page/Internet
Type/order code	Description	
[1] Guide axis ELFC	Without drive	elfc
[2] Centring sleeve/centring pins	For centring loads and attachments on the slide	31
[3] Adapter kit EHAA-D-L2	<ul style="list-style-type: none"> • For axis/axis mounting with adapter plate • Mounting option: base axis with the same size or one-size-down assembly axis • When motors are mounted using parallel kits, interfering contours may occur. In this case, the adapter plate is required for height compensation 	30
[4] Profile mounting EAHF-L2-...-P-D...	<ul style="list-style-type: none"> • For axis/axis mounting without adapter plate • Mounting option: base axis with one-size-down assembly axis 	30
[5] Angle kit EHAA-D-L2-...-AP	For mounting one-size-down vertical axes (assembly axes) on base axes with mounting position "slide at top"	30

Peripherals

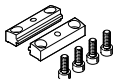
Accessories		→ Page/Internet
Type/order code	Description	
[6] Clamping element EADT-S-L5-32	Tool for retensioning the cover strip	31
[7] Sensor bracket EAPM-L2-SH	For mounting the proximity switches on the axis. The proximity switches can only be mounted using the sensor bracket	31
[8] Proximity switch SIES-8M	Inductive proximity sensors, for T-slot	32
[8] Proximity switch SMT-8M	Magnetic proximity switches, for T-slot	32
[9] Switch lug EAMP-L2-...-SLS	For sensing the slide position in conjunction with inductive proximity switches SIES-8M	31
[10] Profile mounting EAHF-L2-...-P	For mounting the axis on the side of the profile. The profile mounting can be attached to the mounting surface using the drilled hole in the centre	30
[11] Profile mounting EAHF-L2-...-P-S	For mounting the axis on the side of the profile	30

Accessories

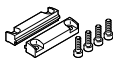
Profile mounting EAHF-L2-...-P-S

	Description	Suitability for the production of Li-ion batteries	Material plate	Product weight	Part no.	Type
	For size 32	F1a	Anodised wrought aluminium alloy	4 g	5183153	EAHF-L2-25-P-S
	For size 45, 60, 80			6 g	5184133	EAHF-L2-45-P-S

Profile mounting EAHF-L2-...-P

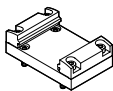
	Description	Suitability for the production of Li-ion batteries	Material plate	Product weight	Part no.	Type
	For size 32	F1a	Anodised wrought aluminium alloy	19 g	4835684	EAHF-L2-25-P
	For size 45, 60, 80			35 g	4835728	EAHF-L2-45-P

Profile mounting EAHF-L2-...-P-D...

	Description ¹⁾	Suitability for the production of Li-ion batteries	Material plate	Product weight	Part no.	Type
	For size 32/25	F1a	Anodised wrought aluminium alloy	16 g	4759753	EAHF-L2-25-P-D1
	For size 45/32			24 g	4759748	EAHF-L2-25-P-D2
	For size 60/45			56 g	4759739	EAHF-L2-45-P-D3
	For size 80/60			77 g	4759726	EAHF-L2-45-P-D4

1) Base axis/assembly axis

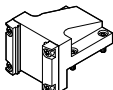
Adapter kit EHAA-D-L2

	Description ¹⁾	Product weight	Part no.	Type
	For size 32/25	60 g	8066713	EHAA-D-L2-32-L2-32
	For size 45/32	136 g	8066714	EHAA-D-L2-45-L2-45
	For size 60/45	205 g	8066715	EHAA-D-L2-60-L2-60
	For size 80/60	315 g	8066716	EHAA-D-L2-80-L2-80

1) Base axis/assembly axis

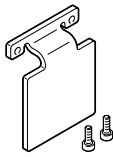
When motors are mounted using parallel kits, interfering contours may occur. In this case, the adapter plate is required for height compensation.

Angle kit EHAA-D-L2-...-AP


	Description ¹⁾	Product weight	Part no.	Type
	For size 32/25	107 g	8066717	EHAA-D-L2-32-L2-25-AP
	For size 45/32	222 g	8066718	EHAA-D-L2-45-L2-32-AP
	For size 60/45	433 g	8066719	EHAA-D-L2-60-L2-45-AP
	For size 80/60	768 g	8066720	EHAA-D-L2-80-L2-60-AP


1) Base axis/assembly axis


Switch lug EAPM-L2-SLS


	Description	Suitability for the production of Li-ion batteries	Product weight	Part no.	Type
	For size 32	F1a	10 g	8067259	EAPM-L2-32-SLS


Accessories


Switch lug EAPM-L2-SLS						
	Description	Suitability for the production of Li-ion batteries	Product weight	Part no.	Type	
	For size 45	F1a	18 g	8067260	EAPM-L2-45-SLS	
	For size 60		27 g	8067261	EAPM-L2-60-SLS	
	For size 80		42 g	8067262	EAPM-L2-80-SLS	

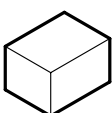
Sensor bracket EAPM-L2-SH						
	Description	Suitability for the production of Li-ion batteries	Material sensor bracket	Product weight	Part no.	Type
	For size 32, 45, 60, 80	F1a	Anodised wrought aluminium alloy	4 g	★ 4759852	EAPM-L2-SH

Centring pin ZBS-2						
	Description	Material sleeve	Size of pack	Product weight	Part no.	Type
	For size 32	Steel	10	1 g	525273	ZBS-2

Centring pin ZBS-4						
	Description	Material sleeve	Size of pack	Product weight	Part no.	Type
	For size 45	High-alloy stainless steel	10	0.5 g	562959	ZBS-4

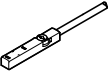
Centring sleeve ZBH-5						
	Description	Material sleeve	Size of pack	Product weight	Part no.	Type
	For size 60	Steel	10	1 g	8146543	ZBH-5-B

Centring sleeve ZBH-7						
	Description	Material sleeve	Size of pack	Product weight	Part no.	Type
	For size 80	Steel	10	1 g	8146544	ZBH-7-B

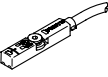
Clamping element EADT						
	Description	Material clamping element	Product weight	Part no.	Type	
	For size 32, 45, Tool for retensioning the cover strip	NBR	12 g	8065818	EADT-S-L5-32	
	for size 60, Tool for retensioning the cover strip		50 g	8058451	EADT-S-L5-70	

Accessories

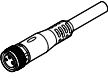
Proximity switch SIES for T-slot, inductive

	Switching output	Switching element function	Electrical connection 1, connector system	Cable length	Part no.	Type
	NPN	N/C contact	M8x1, A-coded, to EN 61076-2-104	0.3 m	★ 551402	SIES-8M-NO-24V-K-0,3-M8D
			Open end	7.5 m	★ 551401	SIES-8M-NO-24V-K-7,5-OE
		N/O contact	M8x1, A-coded, to EN 61076-2-104	0.3 m	551397	SIES-8M-NS-24V-K-0,3-M8D
			Open end	7.5 m	551396	SIES-8M-NS-24V-K-7,5-OE
	PNP	N/C contact	M8x1, A-coded, to EN 61076-2-104	0.3 m	★ 551392	SIES-8M-PO-24V-K-0,3-M8D
			Open end	7.5 m	★ 551391	SIES-8M-PO-24V-K-7,5-OE
		N/O contact	M8x1, A-coded, to EN 61076-2-104	0.3 m	551387	SIES-8M-PS-24V-K-0,3-M8D
			Open end	7.5 m	551386	SIES-8M-PS-24V-K-7,5-OE

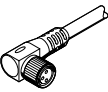
Proximity switch SMT for T-slot, magneto-resistive

	Type of mounting	Switching output	Electrical connection	Cable length	Part no.	Type
	Screw-clamped, Insertable in the slot from above	3-wire PNP N/C contact	Open end	7.5 m	★ 574340	SMT-8M-A-PO-24V-E-7,5-OE
				2.5 m	★ 574335	SMT-8M-A-PS-24V-E-2,5-OE
		3-wire PNP N/O contact	Plug M8, A-coded	0.3 m	★ 574334	SMT-8M-A-PS-24V-E-0,3-M8D

Connecting cables NEBU, straight

	Electrical connection 1, connector system	Electrical connection 2, connector system	Electrical connection 2, number of connections/cores	Cable length	Part no.	Type
	M8x1, A-coded, to EN 61076-2-104	Open end	3	2.5 m	541333	NEBU-M8G3-K-2.5-LE3
				5 m	541334	NEBU-M8G3-K-5-LE3

Connecting cables NEBU, angled

	Electrical connection 1, connector system	Electrical connection 2, connector system	Electrical connection 2, number of connections/cores	Cable length	Part no.	Type
	M8x1, A-coded, to EN 61076-2-104	Open end	3	2.5 m	541338	NEBU-M8W3-K-2.5-LE3
				5 m	541341	NEBU-M8W3-K-5-LE3