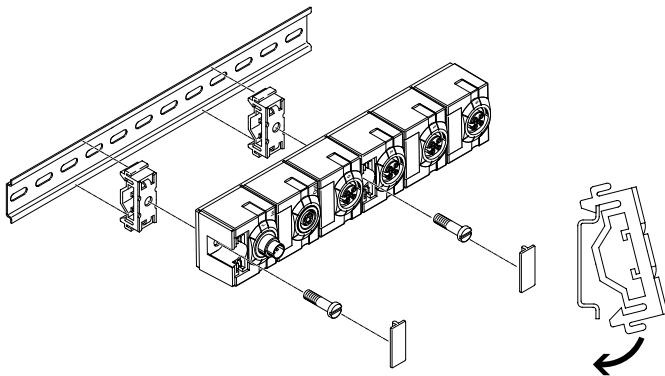


Datasheet

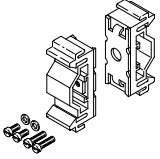
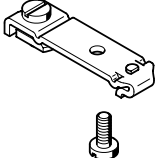
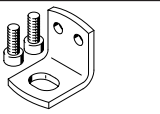

Mounting components enable valve terminals to be attached to walls and machine parts



Examples of H-rail mounting



The base for H-rail mounting is screwed onto the component and the entire unit can then be placed on an H-rail. Depending on the product, mounting holes can be covered by inscription labels.

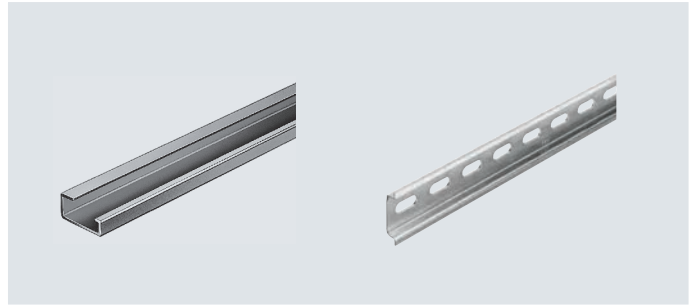
Ordering data	Weight [g]	Material	Function	Dimensions [mm]	Part no.	Type
	35.1	Steel/polymer	Base for H-rail mounting. Is screwed onto the component and the entire unit can then be placed on an H-rail.	47x12x18.1 (LxWxH)	170169	CP-TS-HS-35
	29.9	Cold rolled steel	Mounting material (set) for H-rail mounting. Is screwed onto the component and the entire unit can then be placed on an H-rail. Includes M4x10 screw (combi cross-slot screws).	49.1x13x8.7 (LxWxH) Material thickness: 2	527392	CPASC-BG-NRH
	8.0	Fine grained cold pressed steel	Mounting bracket for mounting valve terminals on even surfaces. Includes 2 M3x9 screws (internal hexagon socket size 2.5)	18x15 (LxW) Material thickness: 2	534416	VMPA-BG-RW
	–	Galvanised steel	Screw available as spare part, to DIN 912	L: 45; Thread: M3	527643	M3x45

Datasheet

DIN mounting rail NR

Mounting rails for manifold mounting of components.

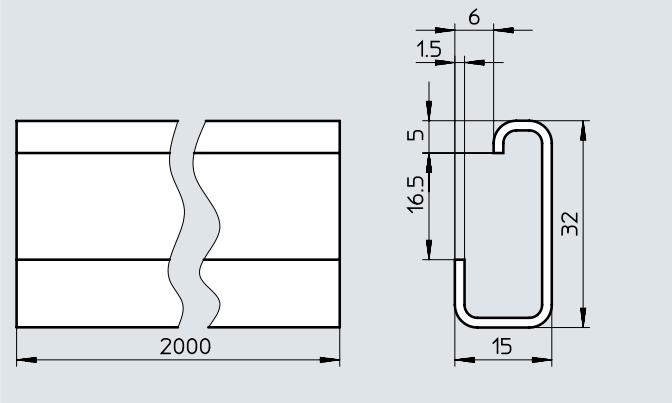
- G rail to DIN EN 50035
- H-rail to EN 60715



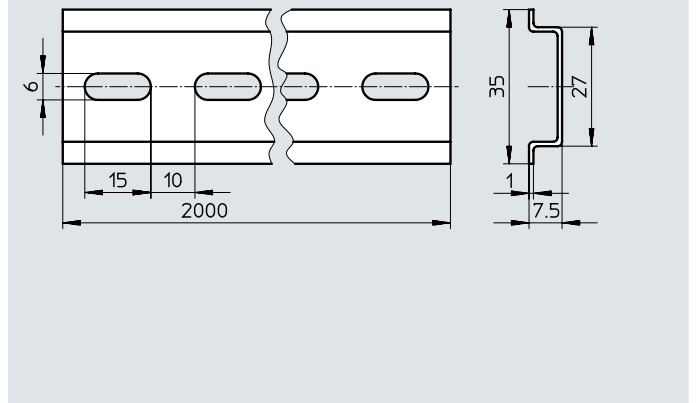
Dimensions

Download CAD data → www.festo.com

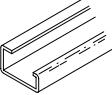
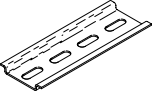
NRC-32-2000



NRH-35-2000



Ordering data

	Description	Length [m]	Product weight [g]	Material	Part no.	Type
	G rail to DIN EN 50035	2	1400	Galvanised steel	6756	NRC-32-2000
	H-rail to EN 60715	2	600	Galvanised steel	35430	NRH-35-2000¹⁾

1) Free of copper, PTFE and silicone

Festo - Your Partner in Automation



1 Festo Inc.
 5300 Explorer Drive
 Mississauga, ON L4W 5G4
 Canada

Festo Customer Interaction Center
 Tel: 1 877 463 3786
 Fax: 1 877 393 3786
 Email: customer.service.ca@festo.com



2 Festo Pneumatic
 Av. Ceylán 3,
 Col. Tequesquináhuac
 54020 Tlalnepantla,
 Estado de México

Multinational Contact Center
 01 800 337 8669
 ventas.mexico@festo.com



3 Festo Corporation
 1377 Motor Parkway
 Suite 310
 Islandia, NY 11749

Festo Customer Interaction Center
 1 800 993 3786
 1 800 963 3786
 customer.service.us@festo.com



4 Regional Service Center
 7777 Columbia Road
 Mason, OH 45040

Connect with us



www.festo.com/socialmedia



www.festo.com

Subject to change