

Slide units SPZ, twin piston



- 1 - Type discontinued
Available up until 2018

FESTO

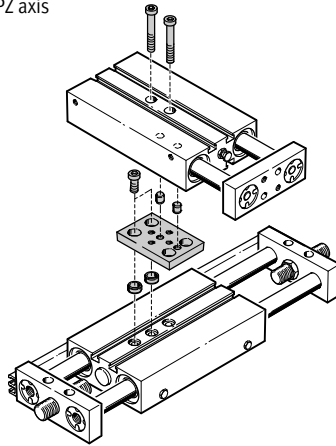
Slide units SPZ, twin piston

Key features

Multi-axis and drive combinations

The slide unit SPZ can be combined with different drives. An adapter kit is required for mounting between the two drives.

DPZ-/SPZ axis

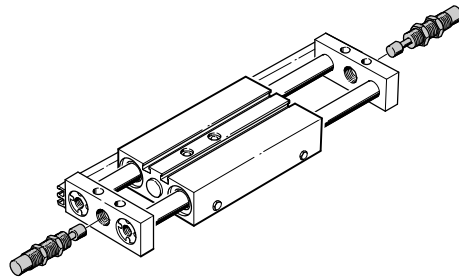


Adapter kits

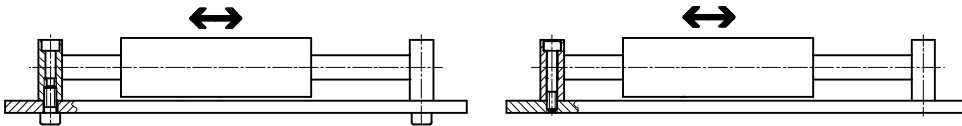
→ www.festo.com

Shock absorbers for slide operation

- From 30 ... 900 mm/s
- In slide operation, shock absorbers provide highly dynamic but gentle operating characteristics



Slide operation SPZ-...

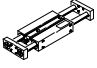


- 1 - Type discontinued
Available up until 2018

FESTO

Slide units SPZ, twin piston

Overview and type codes

Function	Version	Piston Ø	Stroke	Position sensing	Plain bearing guide	Recirculating ball bearing guide
		[mm]	[mm]	A	GF	KF
Double-acting		10	10, 25, 40, 50	■	■	■
		16, 20, 25, 32	10, 25, 40, 50, 80, 100			

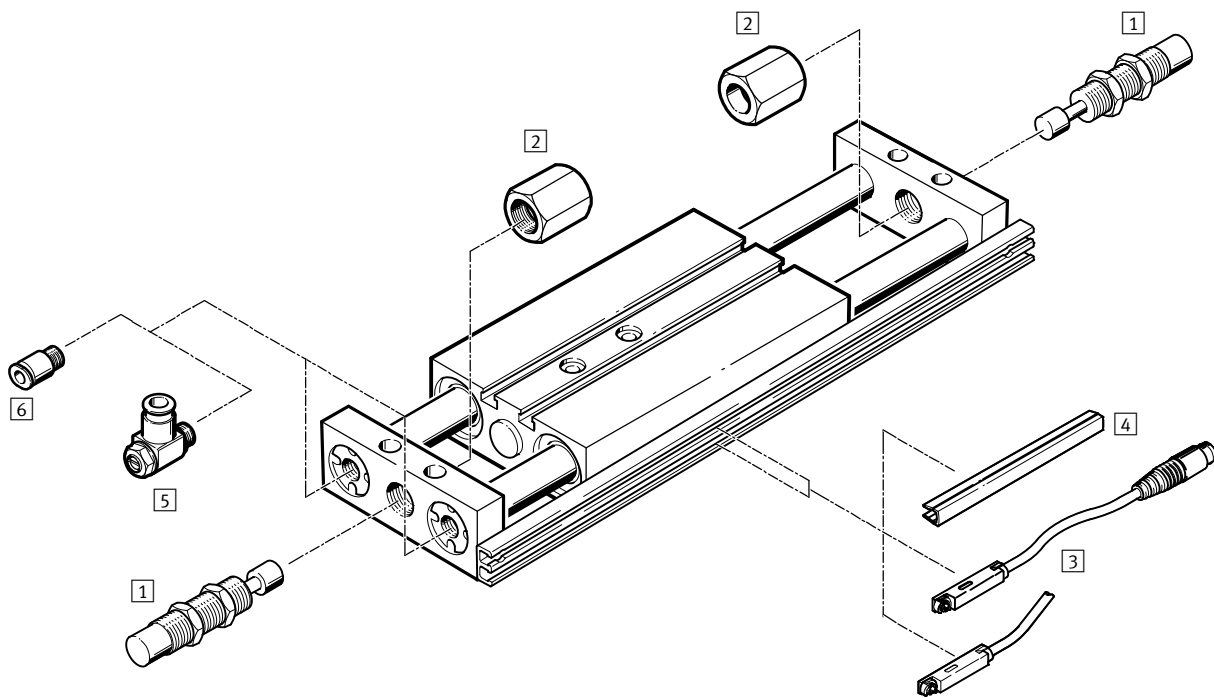
Type		SPZ	16	100	P	A	KF
Double-acting							
SPZ	Slide unit						
Piston Ø [mm]							
Stroke [mm]							
Cushioning							
P	Flexible cushioning rings/plates at both ends						
Position sensing							
A	For proximity sensor						
Guide							
	Plain bearing guide						
KF	Recirculating ball bearing guide						

- 1 - Type discontinued
Available up until 2018

Slide units SPZ, twin piston

Peripherals overview

FESTO



Accessories				
	Description	Piston Ø		→ Page/Internet
		10, 16 mm	20, 25, 32 mm	
1	Shock absorber YSR-C	■	■	13
2	Stop limiters YSRA	■	■	13
3	Proximity sensor SME/SMT-8	■	■	14
4	Slot cover ABP-5-S	■	■	14
5	One-way flow control valve GRLA	■	■	15
6	Push-in fitting QS	■	■	qs
-	Centring pin ZBS	■	-	15
-	Centring sleeve ZBH	-	■	15
-	Adapters	■	■	16
	For drive/gripper combinations			gripper

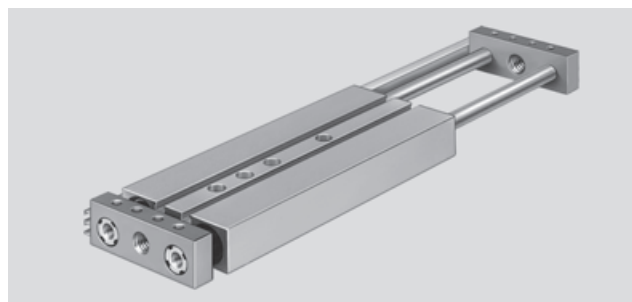
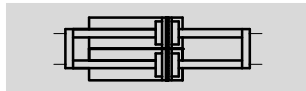
- 1 - Type discontinued
Available up until 2018

FESTO

Slide units SPZ, twin piston

Technical data

Function



- Ø - Diameter
10 ... 32 mm

- | - Stroke length
10 ... 100 mm

-  - www.festo.com

General technical data					
Piston Ø	10	16	20	25	32
Pneumatic connection	M5	M5	M5	M5	G1/8
Operating medium	Compressed air in accordance with ISO 8573-1:2010 [7:4:4]				
Note on operating/pilot medium	Operation with lubricated medium possible (in which case lubricated operation will always be required)				
Operating pressure [bar]	2,5 ... 10	1 ... 10			
Constructional design	Slide				
	Parallel piston rods				
Cushioning	Flexible cushioning rings/plates at both ends				
Position sensing	For proximity sensing				
Type of mounting	Via through-holes				
	With female thread				
	With mounting plate				
Mounting position	Any				
Protection against torsion/guide	Parallel piston rods/with plain-bearing guide or ball bearing guide				


Ambient conditions		
Variant	Plain-bearing guide GF	Recirculating ball bearing guide KF
Ambient temperature ¹⁾ [°C]	-20 ... +80	
Corrosion resistance class CRC ²⁾	2	-

1) Note operating range of proximity sensors.

2) Corrosion resistance class CRC 2 to Festo standard FN 940070

Moderate corrosion stress. Indoor applications in which condensation may occur. External visible parts with primarily decorative requirements for the surface and which are in direct contact with the ambient atmosphere typical for industrial applications.

Forces [N]					
Piston Ø	10	16	20	25	32
Theoretical force at 6 bar, advancing	60	180	282	452	724
Theoretical force at 6 bar, retracting	60	180	282	452	724

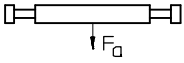
-  - Type discontinued
Available up until 2018

Slide units SPZ, twin piston

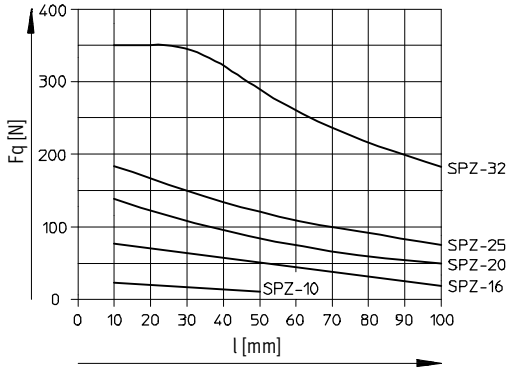
Technical data

FESTO

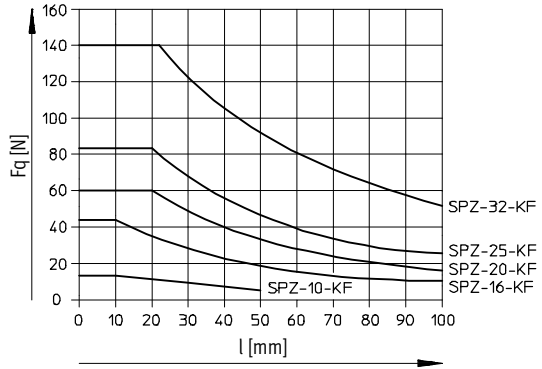
Permissible lateral force F_Q as a function of stroke l



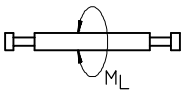
Plain-bearing guide GF



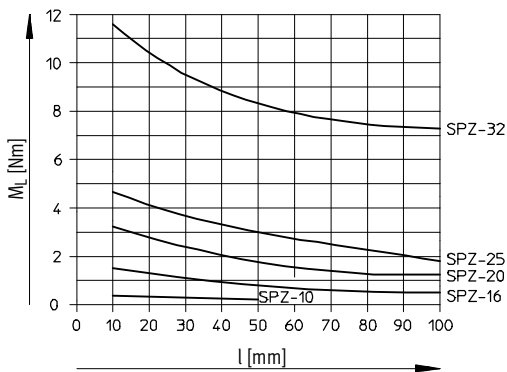
Recirculating ball bearing guide KF



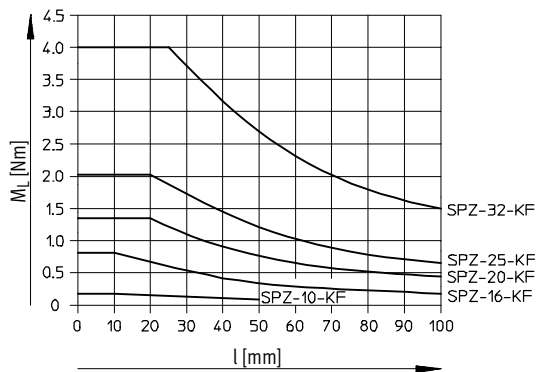
Permissible torque M_L as a function of stroke l



Plain-bearing guide GF



Recirculating ball bearing guide KF

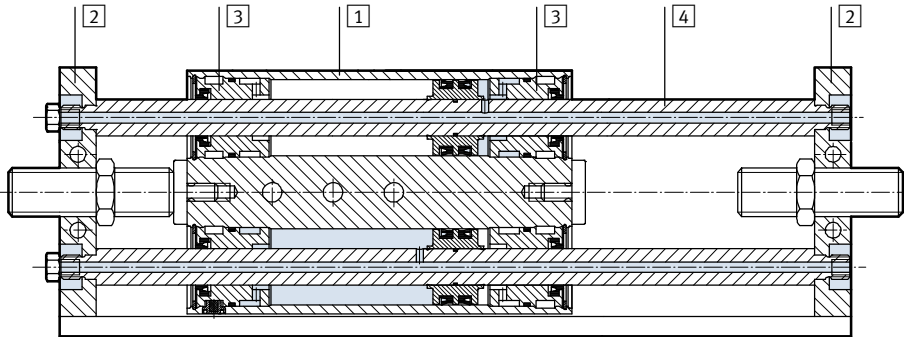


Slide units SPZ, twin piston

Technical data


Materials

Sectional view



Slide unit

1	Housing		Wrought aluminium alloy
2	Yoke plate		Tool steel
3	Plug cap	GF	Brass
		KF	Wrought aluminium alloy
4	Piston rod	GF	High-alloy stainless steel
		KF	Tempered steel
-	Seals		Polyurethane, nitrile rubber

-  - Type discontinued
Available up until 2018

Slide units SPZ, twin piston

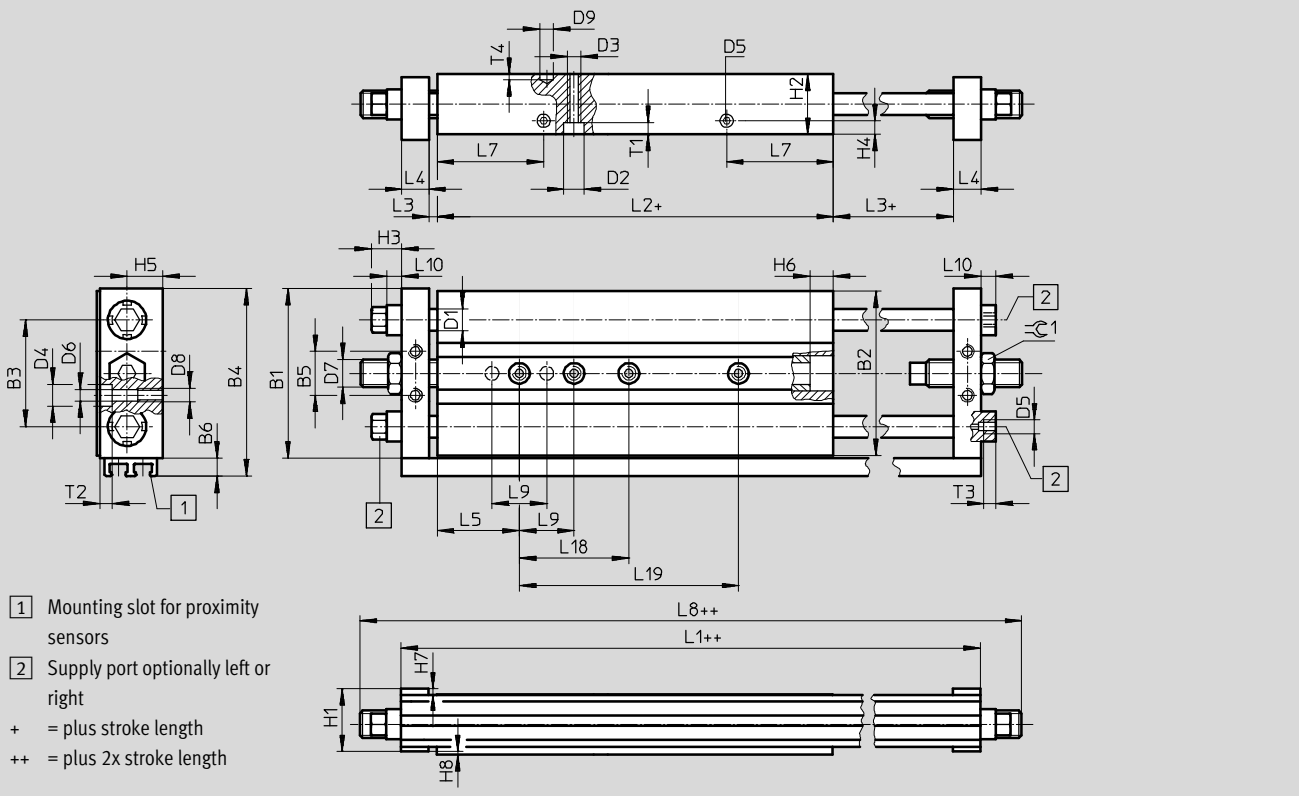
Technical data

FESTO

Dimensions

Download CAD data → www.festo.com

Piston \varnothing 10, 16 mm, plain-bearing guide GF



\varnothing	B1	B2	B3	B4	B5	B6	D1	D2	D3	D4	D5	D6	D7	D8	D9	H1	H2	H3
[mm]							\varnothing	\varnothing		\varnothing		\varnothing			\varnothing			
10	52	50	33	58.5	16	6.5	6	7.5	M5	8	M5	4.2	M10x1	M5	5	20	19	10
16	62	60	39	68.5	16	6.5	8	7.5	M5	8	M5	4.2	M10x1	M5	5	23	22	11

\varnothing	H4	H5	H6	H7	H8	L1	L2	L3	L4	L5	L7	L8	L9 ¹⁾	L10	T1	T2	T3	T4	± 0.1
[mm]																			
10	5	11.5	4	2	1	129.6	71.6	19	10	30	23.4	159.6	20	4.5	4.4	3.4	5	2	13
16	5	13	4	2	1	132.6	74.6	19	10	30	22	162.6	20	5.5	4.4	4.6	4.5	2	13

Stroke	L18 ¹⁾	L19 ¹⁾
[mm]	± 0.03	± 0.03
10	-	-
25	-	-
40	40	-
50	40	-
80	40	80
100	40	80

1) Tolerance for centring hole ± 0.03 mm
Tolerance for thread ± 0.2 mm

- Type discontinued
Available up until 2018

Slide units SPZ, twin piston

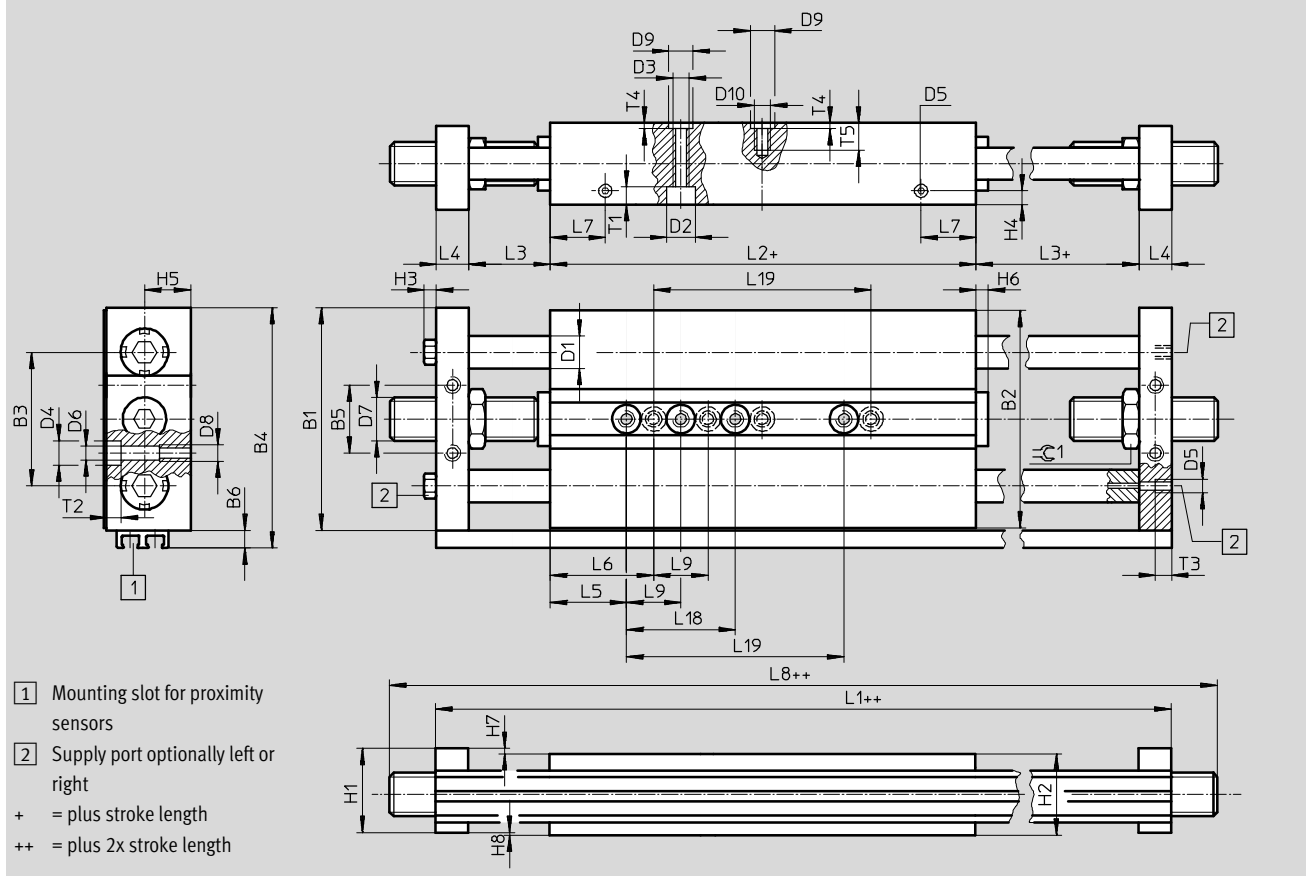
Technical data

FESTO

Dimensions

Download CAD data → www.festo.com

Piston ∅ 10, 16 mm, recirculating ball bearing guide KF



∅	B1	B2	B3	B4	B5	B6	D1	D2	D3	D4	D5	D6	D7	D8	D9	H1	H2	H3	H4
[mm]							∅	∅		∅		∅			∅				
10	52	50	33	58.5	16	6.5	6	7.5	M5	8	M5	4.2	M10x1	M5	5	20	19	10	5
16	62	60	39	68.5	16	6.5	8	7.5	M5	8	M5	4.2	M10x1	M5	5	23	22	11	5

∅	H5	H6	H7	H8	L1	L2	L3	L4	L5	L7	L8	L9 ¹⁾	L10	T1	T2	T3	T4	∅C1
[mm]																		
10	11.5	7.5	2	1	129.6	107.6	1	10	30	40.7	159.6	20	4.5	4.4	3.4	5	2	13
16	13	7.5	2	1	132.6	106.6	3	10	30	38.9	158.6	20	5.5	4.4	4.6	4.5	2	13

Stroke	L18 ¹⁾	L19 ¹⁾
[mm]	±0.03	±0.03
10	-	-
25	-	-
40	40	-
50	40	-
80	40	80
100	40	80

1) Tolerance for centring hole ±0.03 mm
Tolerance for thread ±0.2 mm

- Type discontinued
Available up until 2018

Slide units SPZ, twin piston

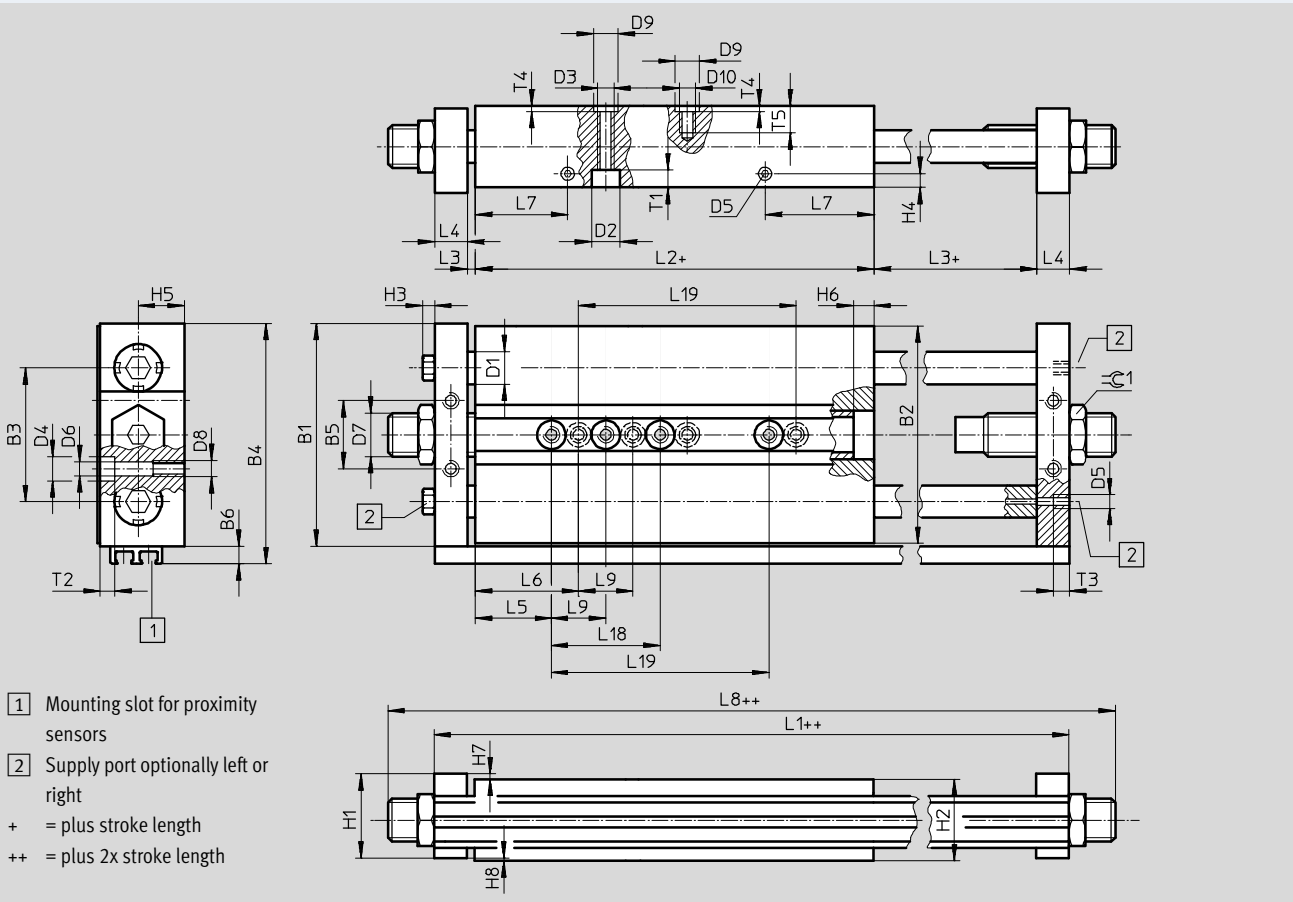
Technical data

FESTO

Dimensions

Download CAD data → www.festo.com

Piston ∅ 20, 25, 32 mm, plain-bearing guide GF



∅	B1	B2	B3	B4	B5	B6	D1 ∅	D2 ∅	D3 ∅	D4 ∅	D5	D6 ∅	D7	D8	D9 ∅ H7	D10	H1	H2	H3
[mm]																			
20	74	72	45.6	80.5	23	6.5	10	9	M6	9.5	M5	5.2	M12x1	M6	9	M6	25	24	5
25	82	80	49.2	88.5	25	6.5	12	10.5	6.4	9.5	M5	5.2	M16x1	M6	9	M6	31	30	5
32	100	98	57	106.5	24	6.5	16	10.5	6.4	10.5	G1/8	6.2	M16x1	M8	9	M6	39	38	-

∅	H4	H5	H6	H7	H8	L1	L2	L3	L4	L5	L6	L7	L8	L9 ¹⁾	T1	T2	T3	T4	T5	≙C1
[mm]																				
20	5	14	4	2	1	146.6	76.6	23	12	30	-	22.8	178.6	20	5.4	5	6	2.1	10	15
25	5	17	4.5	2	1	160.6	76.6	30	12	28	38	20.2	194.6	20	6.4	5	6	2.1	10	19
32	7.5	21	4.5	2	1	170.1	80.1	30	15	35	45	25	204.1	20	6.4	6.5	10	2.1	10	19

Stroke	L18 ¹⁾ ±0.03	L19 ¹⁾ ±0.03
[mm]		
10	-	-
25	-	-
40	40	-
50	40	-
80	40	80
100	40	80

1) Tolerance for centring hole ±0.03 mm
Tolerance for thread ±0.2 mm

Slide units SPZ, twin piston

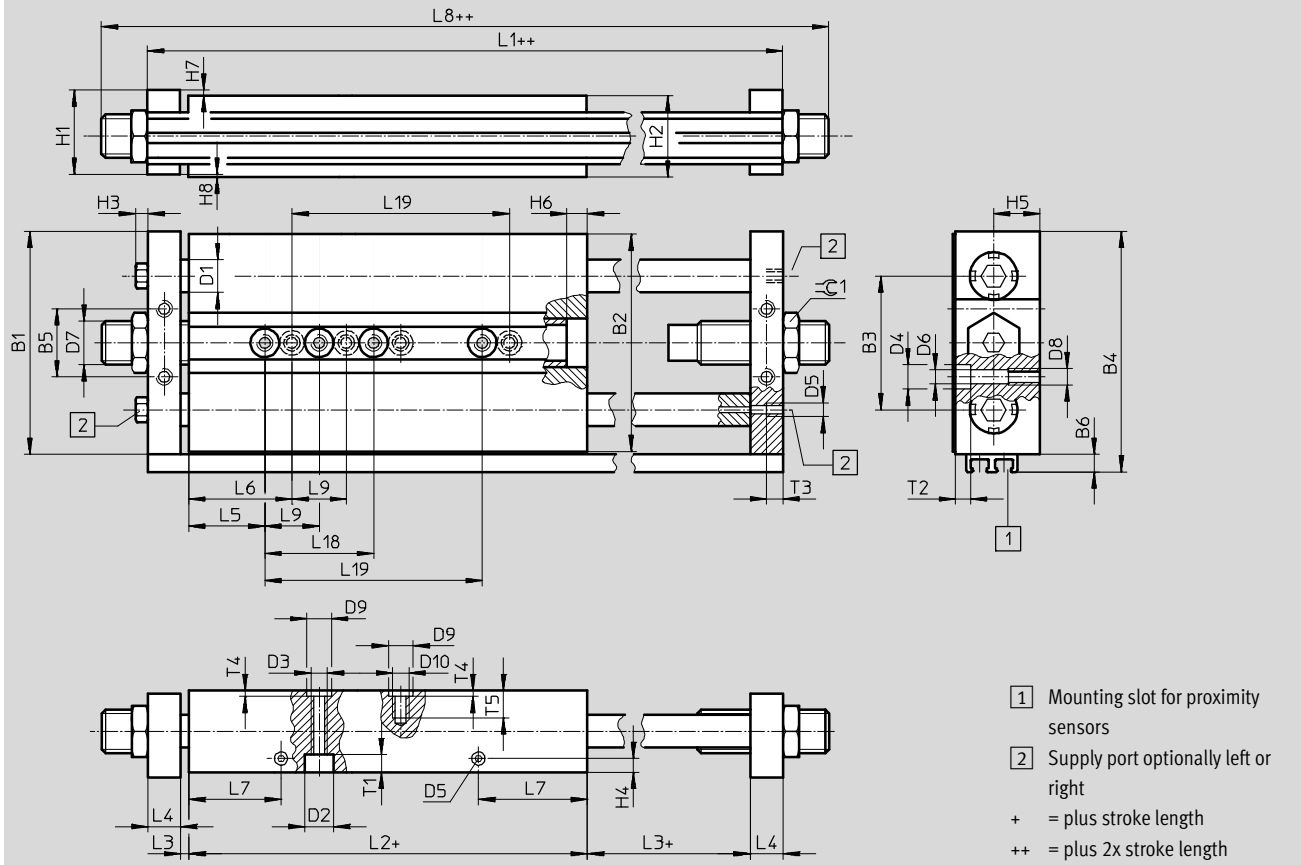
Technical data

FESTO

Dimensions

Download CAD data → www.festo.com

Piston ∅ 20, 25, 32 mm, recirculating ball bearing guide KF




∅	B1	B2	B3	B4	B5	B6	D1	D2	D3	D4	D5	D6	D7	D8	D9	D10	H1	H2	H3
[mm]							∅	∅	∅	∅		∅			∅	H7			
20	74	72	45.6	80.5	23	6.5	10	9	M6	9.5	M5	5.2	M12x1	M6	9	M6	25	24	5
25	82	80	49.2	88.5	25	6.5	12	10.5	6.4	9.5	M5	5.2	M16x1	M6	9	M6	31	30	5
32	100	98	57	106.5	24	6.5	16	10.5	6.4	10.5	G1/8	6.2	M16x1	M8	9	M6	39	38	-

∅	H4	H5	H6	H7	H8	L1	L2	L3	L4	L5	L6	L7	L8	L9 ¹⁾	T1	T2	T3	T4	T5	≅1
[mm]																				
20	5	14	6.5	2	1	146.6	120.6	1	12	30	-	43.4	184.6	20	5.4	5	6	2.1	10	15
25	5	17	7.5	2	1	160.6	130.6	3	12	28	38	40	202.6	20	6.4	5	6	2.1	10	19
32	7.5	21	7.5	2	1	170.1	134.1	3	15	35	45	44.9	206.1	20	6.4	6.5	10	2.1	10	19

Stroke	L18 ¹⁾	L19 ¹⁾
[mm]	±0.03	±0.03
10	-	-
25	-	-
40	40	-
50	40	-
80	40	80
100	40	80


1) Tolerance for centring hole ±0.03 mm
Tolerance for thread ±0.2 mm

 Type discontinued
Available up until 2018

Slide units SPZ, twin piston

FESTO

Technical data

Ordering data						
Type	Piston Ø [mm]	Stroke [mm]	Plain-bearing guide GF		Recirculating ball bearing guide KF	
			Part No.	Type ¹⁾	Part No.	Type ¹⁾
	10	10	32714	SPZ-10-10-P-A	162166	SPZ-10-10-P-A-KF
		25	32715	SPZ-10-25-P-A	162167	SPZ-10-25-P-A-KF
		40	32716	SPZ-10-40-P-A	162168	SPZ-10-40-P-A-KF
		50	32717	SPZ-10-50-P-A	162169	SPZ-10-50-P-A-KF
	16	10	32719	SPZ-16-10-P-A	162171	SPZ-16-10-P-A-KF
		25	32720	SPZ-16-25-P-A	162172	SPZ-16-25-P-A-KF
		40	32721	SPZ-16-40-P-A	162173	SPZ-16-40-P-A-KF
		50	32722	SPZ-16-50-P-A	162174	SPZ-16-50-P-A-KF
		80	32723	SPZ-16-80-P-A	162175	SPZ-16-80-P-A-KF
		100	32724	SPZ-16-100-P-A	162176	SPZ-16-100-P-A-KF
	20	10	32726	SPZ-20-10-P-A	162178	SPZ-20-10-P-A-KF
		25	32727	SPZ-20-25-P-A	162179	SPZ-20-25-P-A-KF
		40	32728	SPZ-20-40-P-A	162180	SPZ-20-40-P-A-KF
		50	32729	SPZ-20-50-P-A	162181	SPZ-20-50-P-A-KF
		80	32730	SPZ-20-80-P-A	162182	SPZ-20-80-P-A-KF
		100	32731	SPZ-20-100-P-A	162183	SPZ-20-100-P-A-KF
	25	10	32733	SPZ-25-10-P-A	162185	SPZ-25-10-P-A-KF
		25	32734	SPZ-25-25-P-A	162186	SPZ-25-25-P-A-KF
		40	32735	SPZ-25-40-P-A	162187	SPZ-25-40-P-A-KF
		50	32736	SPZ-25-50-P-A	162188	SPZ-25-50-P-A-KF
		80	32737	SPZ-25-80-P-A	162189	SPZ-25-80-P-A-KF
		100	32738	SPZ-25-100-P-A	162190	SPZ-25-100-P-A-KF
	32	10	159721	SPZ-32-10-P-A	162192	SPZ-32-10-P-A-KF
		25	159722	SPZ-32-25-P-A	162193	SPZ-32-25-P-A-KF
		40	159723	SPZ-32-40-P-A	162194	SPZ-32-40-P-A-KF
		50	159724	SPZ-32-50-P-A	162195	SPZ-32-50-P-A-KF
		80	159725	SPZ-32-80-P-A	162196	SPZ-32-80-P-A-KF
		100	159726	SPZ-32-100-P-A	162197	SPZ-32-100-P-A-KF

1) 2 centring pins or sleeves are included in the scope of delivery.

Slide units SPZ, twin piston

Accessories

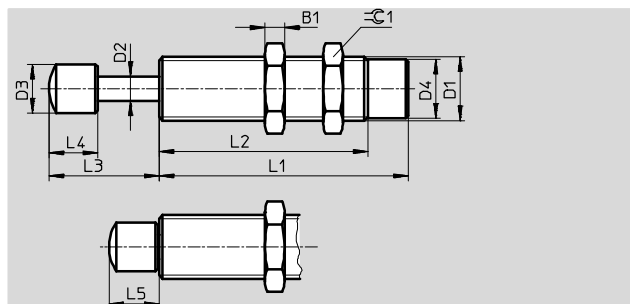
Shock absorber YSR-C

Material:

YSR-7-5-C, YSR-8-8-C: Nickel-plated brass

YSR-12-12-C: Galvanised steel

Free of copper, PTFE and silicone



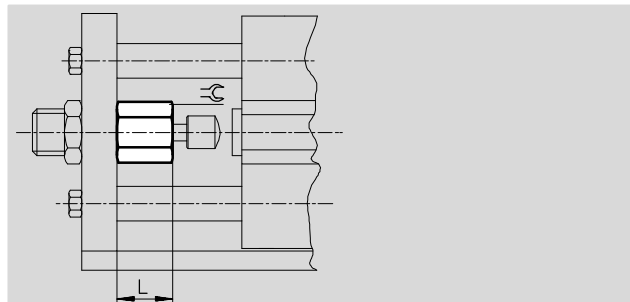
Dimensions and ordering data												Part No.	Type	
For \varnothing	B1	D1	D2 \varnothing	D3 \varnothing	D4 \varnothing	L1 ± 0.1	L2 ± 0.3	L3 $+0.7/-0.35$	L4 ± 0.2	L5 $+0.55/-0.25$	\approx			
[mm]														
10, 16	3.5	M10x1	3	6 ± 0.1	8.6 ± 0.05	34	23	12.3	7	7.3	13	160272	YSR-7-5-C	
20	4	M12x1	4	8 ± 0.2	10.4 ± 0.1	46	33	16.3	8	8.3	15	34571	YSR-8-8-C	
25, 32	5	M16x1	6	12 ± 0.2	14.5 ± 0.1	64	51	24.5	12	12.5	19	34572	YSR-12-12-C	

Stop limiter YSRA

for use when shock absorbers are fitted
(not in the case of recirculating ball bearing guide)

Material:

Steel



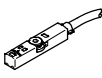
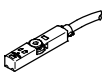
Dimensions and ordering data						
For \varnothing	L	\approx	For shock absorbers	Weight	Part No.	Type
[mm]				[g]		
10, 16	15	13	YSR-7-5-C	12	150932	YSRA-7-C
20	19	15	YSR-8-8-C	28	150933	YSRA-8-C
25, 32	25.5	19	YSR-12-12-C	48	150934	YSRA-12-C

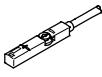
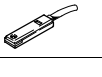

- 1 - Type discontinued
Available up until 2018


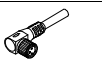
Slide units SPZ, twin piston

Accessories

FESTO

Ordering data – Proximity sensors for T-slot, magneto-resistive						Technical data → Internet: smt
	Type of mounting	Switch output	Electrical connection	Cable length [m]	Part No.	Type
N/O contact						
	Insertable in the slot from above, flush with cylinder profile, short design	PNP	Cable, 3-wire	2.5	574335	SMT-8M-A-PS-24V-E-2,5-OE
			Plug M8x1, 3-pin	0.3	574334	SMT-8M-A-PS-24V-E-0,3-M8D
			Plug M12x1, 3-pin	0.3	574337	SMT-8M-A-PS-24V-E-0,3-M12
		NPN	Cable, 3-wire	2.5	574338	SMT-8M-A-NS-24V-E-2,5-OE
			Plug M8x1, 3-pin	0.3	574339	SMT-8M-A-NS-24V-E-0,3-M8D
N/C contact						
	Insertable in the slot from above, flush with cylinder profile, short design	PNP	Cable, 3-wire	7.5	574340	SMT-8M-A-PO-24V-E-7,5-OE

Ordering data – Proximity sensors for T-slot, magnetic reed						Technical data → Internet: sme
	Type of mounting	Switch output	Electrical connection	Cable length [m]	Part No.	Type
N/O contact						
	Insertable in the slot from above, flush with cylinder profile	Contacting	Cable, 3-wire	2.5	543862	SME-8M-DS-24V-K-2,5-OE
			Cable, 2-wire	2.5	543872	SME-8M-ZS-24V-K-2,5-OE
			Plug M8x1, 3-pin	0.3	543861	SME-8M-DS-24V-K-0,3-M8D
			Plug M8x1, 3-pin	0.3	543861	SME-8M-DS-24V-K-0,3-M8D
	Insertable in the slot lengthwise, flush with the cylinder profile	Contacting	Cable, 3-wire	2.5	150855	SME-8-K-LED-24
			Plug M8x1, 3-pin	0.3	150857	SME-8-S-LED-24
N/C contact						
	Insertable in the slot lengthwise, flush with the cylinder profile	Contacting	Cable, 3-wire	7.5	160 251	SME-8-O-K-LED-24

Ordering data – Connecting cables					Technical data → Internet: nebu
	Electrical connection, left	Electrical connection, right	Cable length [m]	Part No.	Type
	Straight socket, M8x1, 3-pin	Cable, open end, 3-wire	2.5	541333	NEBU-M8G3-K-2.5-LE3
			5	541334	NEBU-M8G3-K-5-LE3
	Straight socket, M12x1, 5-pin	Cable, open end, 3-wire	2.5	541363	NEBU-M12G5-K-2.5-LE3
			5	541364	NEBU-M12G5-K-5-LE3
	Angled socket, M8x1, 3-pin	Cable, open end, 3-wire	2.5	541338	NEBU-M8W3-K-2.5-LE3
			5	541341	NEBU-M8W3-K-5-LE3
	Angled socket, M12x1, 5-pin	Cable, open end, 3-wire	2.5	541367	NEBU-M12W5-K-2.5-LE3
			5	541370	NEBU-M12W5-K-5-LE3


Ordering data – Slot cover for T-slot					
	Mounting	Length	Part No.	Type	
	Insertable from above	2x 0.5 m	151680	ABP-5-S	



- 1 - Type discontinued
Available up until 2018

FESTO

Slide units SPZ, twin piston

Accessories

Ordering data – One-way flow control valves				Technical data → Internet: grla		
	Connection		Material	Part No.	Type	
	Thread	For tubing O.D.				
	M5	3	Metal design	193137	GRLA-M5-QS-3-D	
		4		193138	GRLA-M5-QS-4-D	
		6		193139	GRLA-M5-QS-6-D	
	G1/8	3		193142	GRLA-1/8-QS-3-D	
		4		193143	GRLA-1/8-QS-4-D	
		6		193144	GRLA-1/8-QS-6-D	
		8		193145	GRLA-1/8-QS-8-D	

Ordering data – Accessories				Technical data → Internet: zbs	
	For dia. [mm]	Material	Part No.	Type	PE ¹⁾
Centring pin ZBS					
	10, 16	Stainless steel Free of copper, PTFE and silicone	150928	ZBS-5	10
Centring sleeve ZBH					
	20, 25, 30	Stainless steel Free of copper and PTFE	150927	ZBH-9	10

1) Packaging unit quantity

- 1 - Type discontinued
Available up until 2018

Slide units SPZ, twin piston

Accessories

FESTO

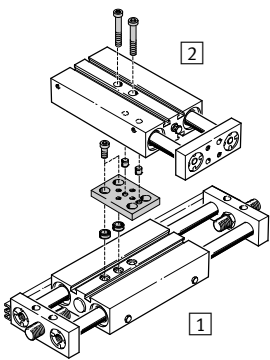
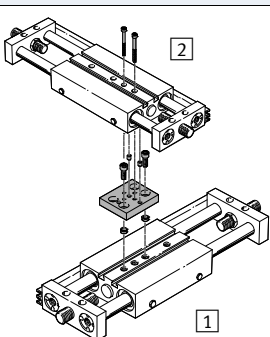
Adapter kit
BPL

Material:
Wrought aluminium alloy
Free of copper and PTFE
RoHS-compliant



Note

The kit includes the individual mounting interface as well as the necessary mounting material.

Permissible drive/drive combinations with adapter kit			Download CAD data → www.festo.com		
Combination	1 Drive	2 Drive	Adapter kit		
	Size	Size	CRC ¹⁾	Part No.	Type
	DPZ	SPZ	BPL		
	20, 25, 32	10, 16	2	150929	BPL-1
	20, 25, 32	20		150930	BPL-2
	25, 32	25		150931	BPL-3
	32	32		150931	BPL-3
	SPZ	SPZ	BPL		
	20, 25, 32	10, 16	2	150929	BPL-1
	20, 25, 32	20		150930	BPL-2
	25, 32	25		150931	BPL-3
	32	32		150931	BPL-3

1) Corrosion resistance class CRC 2 to Festo standard FN 940070
Moderate corrosion stress. Indoor applications in which condensation may occur. External visible parts with primarily decorative requirements for the surface and which are in direct contact with the ambient atmosphere typical for industrial applications.

Festo - Your Partner in Automation



1 Festo Inc.
5300 Explorer Drive
Mississauga, ON L4W 5G4
Canada

Festo Customer Interaction Center
Tel: 1 877 463 3786
Fax: 1 877 393 3786
Email: customer.service.ca@festo.com



2 Festo Pneumatic
Av. Ceylán 3,
Col. Tequesquináhuac
54020 Tlalnepantla,
Estado de México

Multinational Contact Center
01 800 337 8669
ventas.mexico@festo.com



3 Festo Corporation
1377 Motor Parkway
Suite 310
Islandia, NY 11749

Festo Customer Interaction Center
1 800 993 3786
1 800 963 3786
customer.service.us@festo.com



4 Regional Service Center
7777 Columbia Road
Mason, OH 45040

Connect with us



www.festo.com/socialmedia



www.festo.com

Subject to change