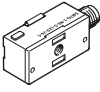
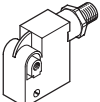
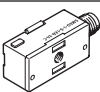

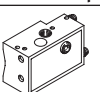
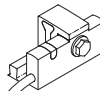


Proximity switches, block design

FESTO



Product range overview

Measuring principle	Design	Type	Mounting	Switching element function		Switching output	Electrical connection	
				N/O	N/C contact		Cable	Plug
Magneto-inductive	Operating voltage range 10 ... 30 V DC							
		SMT0-1	With accessories	■	–	PNP	3-wire	M8x1, 3-pin
				■	–	NPN	3-wire	M8x1, 3-pin
	SMTSO-1 Welding field resistant		■	–	PNP	–	M12x1, 3-pin	
Magnetic reed	Operating voltage range 0 ... 30 V DC							
		SME0-1	With accessories	■	–	Contacting	–	M8x1, 3-pin ¹⁾
				■	–		3-wire	M8x1, 3-pin
	Operating voltage range 0 ... 250 V AC, 0 ... 200 V DC							
		SME0-1-B	With accessories	■	–	Contacting	2-wire	–
		SME0-1		■	–		2-wire	–
				■	–		2-wire	–
SME0-1-S6-C Heat resistant up to 120°C		■		–	2-wire		–	
Magnetic	Pneumatic proximity switch, operating pressure 2 ... 6 bar							
		SMPO-1	With accessories	■ ²⁾	–	–	–	–
Magneto-inductive	Operating voltage range 10 ... 30 V DC							
		SMT-C1	Clamped	■	–	PNP	3-wire	M8x1, 3-pin M12x1, 3-pin

1) The proximity switch has 2 wires internally. One pin of the M8 plug is unused.
 2) 3/2-way valve, normally closed

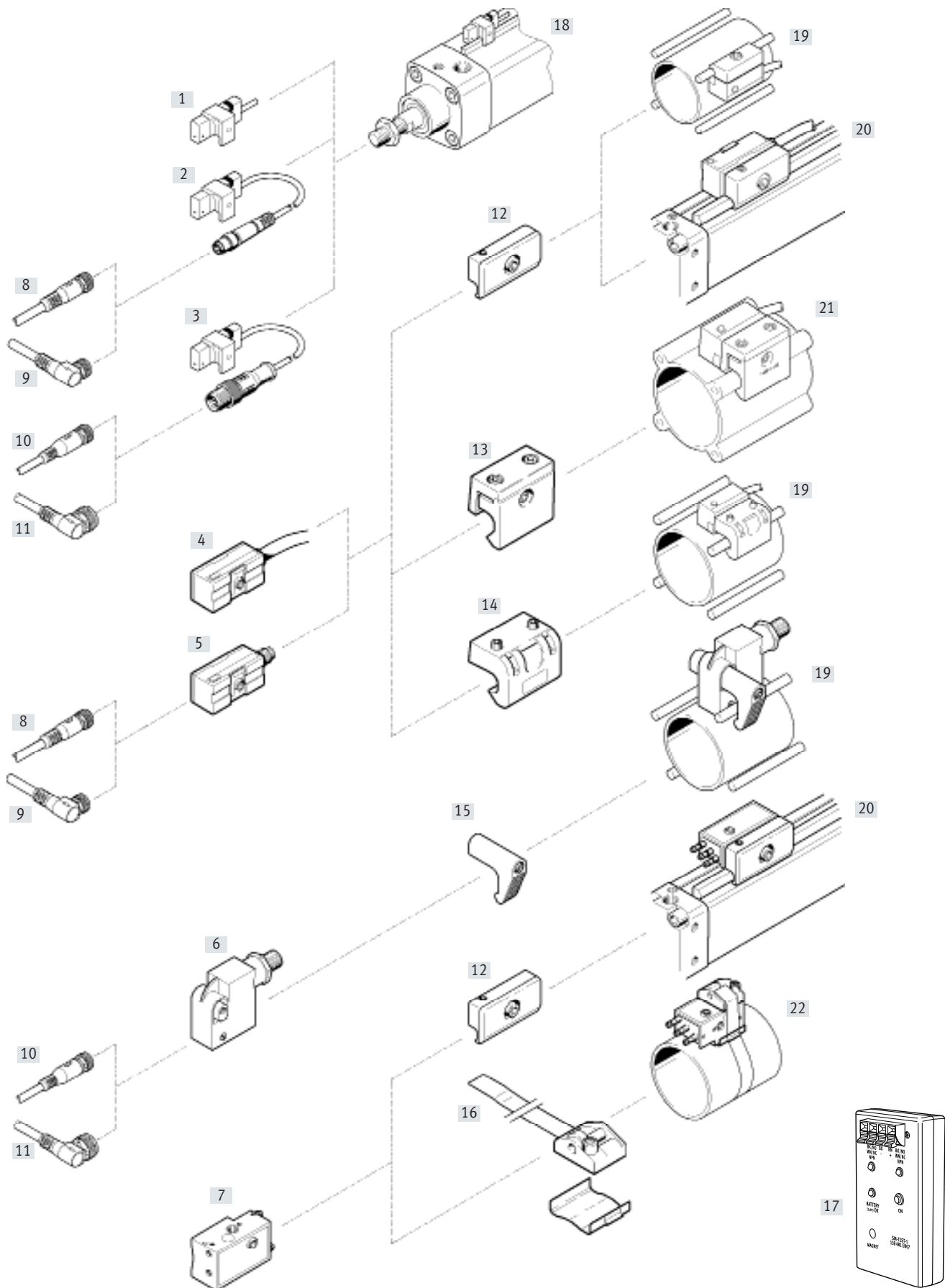
Product range overview

Type	Outlet direction of connection		Replacement without adjustment	Switching status indication via LED	Free of copper and PTFE	→ Page
	In-line	Lateral				
Operating voltage range 10 ... 30 V DC						
SMTO-1	■	–	■ ¹⁾	■	■	7
	■	–	■ ¹⁾	■	–	
SMTSO-1 Welding field resistant	■	–	–	■	–	10
Operating voltage range 0 ... 30 V DC						
SMEO-1	■	–	■ ¹⁾	–	■	12
	■	–	■ ¹⁾	■	■	
Operating voltage range 0 ... 250 V DC, 0 ... 200 V DC						
SMEO-1-B	■	–	■ ¹⁾	–	–	12
SMEO-1	■	–	■ ¹⁾	■	–	
	■	–	■ ¹⁾	–	–	
SMEO-1-S6-C Heat resistant up to 120°C	■	–	■ ¹⁾	■	–	
Pneumatic proximity switch, operating pressure 2 ... 6 bar						
SMPO-1	■	–	■ ¹⁾	– ²⁾	–	17
Operating voltage range 10 ... 30 V DC						
SMT-C1	■	–	–	■	■	19

1) Not in combination with mounting kit SMB-1 or SMBS-...

2) Switching status is indicated via a plunger

Peripherals overview



Peripherals overview

Mounting attachments and accessories		Brief description	→ Page/Internet
Proximity switch			
[1]	SMT-C1-...	Magneto-inductive, with cable and clamping element	19
[2]	SMT-C1-...	Magneto-inductive, with cable and plug M8x1 and clamping element	19
[3]	SMT-C1-...	Magneto-inductive, with cable and plug M12x1 and clamping element	19
[4]	SMT-O-1-...	Magneto-resistive, with cable	7
	SMEO-1-...	Magnetic reed, with cable	12
[5]	SMT-O-1-...	Magneto-resistive, with plug M8x1	7
	SMEO-1-...	Magnetic reed, with plug M8x1	12
[6]	SMTSO-1-...	Magneto-resistive, welding field resistant, with plug M12x1	10
[7]	SMPO-1-...	Pneumatic	17
Accessories			
[8]	Connecting cable NEBU-M8G3-...	Straight socket, M8x1, 3-pin	24
[9]	Connecting cable NEBU-M8W3-...	Angled socket, M8x1, 3-pin	
[10]	Connecting cable NEBU-M12G5-...	Straight socket, M12x1, 3-pin	
[11]	Connecting cable NEBU-M12W5-...	Angled socket, M12x1, 3-pin	
[12]	Mounting kit SMB-1	For drives with tie rod \varnothing 6 mm or mounting strip For standards-based cylinders DSBG	22
[13]	Mounting kit SMBU-1-B	For standards-based cylinders DNU	22
[14]	Mounting kits SMB-2-B, SMB-3-B	For standards-based cylinders DSBG	22
[15]	Mounting kit SMBT-1	For standards-based cylinders DSBG	23
[16]	Mounting kit SMBS-...	For round cylinders	23
[17]	Sensor tester SM-TEST-1	-	sm-test-1
Drives			
[18]	Standards-based cylinder DSBF-C or CDN-...-R with sensor rail	\varnothing 32 ... 100 mm	-
[19]	Standards-based cylinder DSBG	\varnothing 32 ... 125 mm	-
[20]	Flat cylinder DZH	\varnothing 32 ... 63 mm	-
	Semi-rotary drive DRQ	\varnothing 40 ... 100 mm	
[21]	Standards-based cylinder DNU	\varnothing 32 ... 125 mm	-
[22]	Round cylinder	\varnothing 8 ... 100 mm	-

Type codes

001	Series	
SMT0-1	Proximity switch, block design, magneto-resistive	
002	Switching output, switching element function	
PS	PNP, N/O contact, 3-wire	
NS	NPN, N/O contact, 3-wire	
003	Electrical connection, cable length	
K	Cable, 2.5 m	
S	Plug M8x1	

001	Series	
SMTS0-1	Proximity switch, block design, magneto-resistive, welding field resistant	

002	Switching output, switching element function	
PS	PNP, N/O contact, 3-wire	

001	Series	
SME0-1	Proximity switch, block design, magnetic, reed	

002	Temperature range	
S6	Heat-resistant seals max. 120 °C	

003	Electrical connection, cable length	
S	Plug M8x1 with cable, 0.3 m	
K5	Cable, 5.0 m	

001	Series	
SMPO-1	Proximity switch, block design, magnetic	

002	Pneumatic connection	
H	Barbed connector, 3 mm	

001	Series	
SMT-C1	Proximity switch, block design, magneto-inductive	

002	Switching output, switching element function	
PS	PNP, N/O contact, 3-wire	

003	Rated operating voltage	
24V	24 V	

004	Version	
K	Cable	

004	Switching status indication	
LED	Yellow LED	

005	Rated operating voltage	
24	24 V DC	

006	Generation	
C	Series C	

003	Electrical connection, cable length	
S	Plug M8x1	

004	Switching status indication	
LED	Yellow LED	

005	Rated operating voltage	
24	24 V DC	

004	Switching status indication	
	None	
LED	Yellow LED	

005	Rated operating voltage	
24	24 V DC	
230	230 V AC	

006	Generation	
B	Series B	
C	Series C	

003	Generation	
B	Series B	

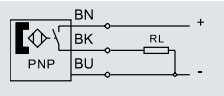
005	Cable length	
0,3	0.3 m	
5,0	5.0 m	
10,0	10.0 m	

006	Electrical connection	
OE	Open end	
M8D	Cable with plug M8x1, rotatable thread	
M12	Cable with plug M12x1	

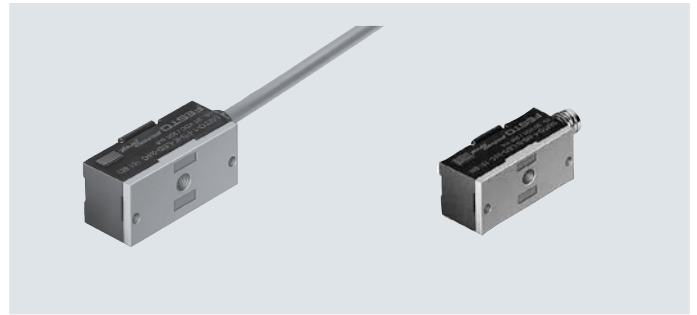
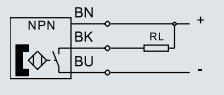
Data sheet

Function

e.g. PNP, N/O contact, with cable



e.g. NPN, N/O contact, with cable



Design

Design	Block design
Type of mounting	With accessories
Max. tightening torque [Nm]	0.3
Outlet direction of connection	In-line
Switching status indication	Yellow LED
Reproducibility of switching value ¹⁾ [mm]	±0.1

1) Only applicable to drives protected against rotation.

Technical data

	SMT0-...-K-...	SMT0-...-S-...
Switching output	PNP NPN	
Switching element function	N/O	
Measured variable	Position	
Measuring principle	Magneto-inductive	
Operating voltage range [V DC]	10 ... 30	
Max. output current [mA]	200	
Max. switching capacity [W]	6	
Voltage drop [V]	≤ 3	
Residual current [mA]	≤ 0.01	
Switch-on time [ms]	≤ 1	
Switch-off time [ms]	≤ 1	
Short circuit current rating	Yes	Pulsed
Overload protection	Available	
Reverse polarity protection	For all electrical connections	
Cable characteristic	Standard	-
Inductive protective circuit	Adapted to MZ, MY, ME coils	

Operating and environmental conditions

Variant	SMT0-...-K-...	SMT0-...-S-...
Ambient temperature [°C]	-25 ... +70	
Ambient temperature with flexible cable installation [°C]	-5 ... +70	-
Certification	RCM	
Degree of protection	IP67	
Based on standard	EN 60947-5-2	
CE marking (see declaration of conformity)	To EU EMC Directive ¹⁾ To EU RoHS Directive	
UKCA marking (see declaration of conformity)	To UK instructions for EMC To UK RoHS instructions	
Note on materials	RoHS-compliant	

1) For information about the area of use, see the EC declaration of conformity at: www.festo.com/catalogue/SMT0-1 → Support/Downloads.
If the devices are subject to usage restrictions in residential, commercial or light-industrial environments, further measures for the reduction of the emitted interference may be necessary.

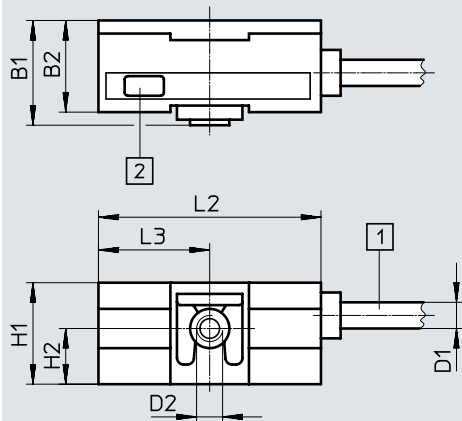
Data sheet

Materials		
Variant	SMTO-...-K-...	SMTO-...-S-...
Housing	PET, die-cast zinc	PET, PC, POM, PUR, steel, die-cast zinc
Cable sheath	PVC	-
Note on materials	Free of copper and PTFE	

Dimensions

Download CAD data → www.festo.com

SMTO-1 – Cable



- [1] Connecting cable
- [2] Yellow LED

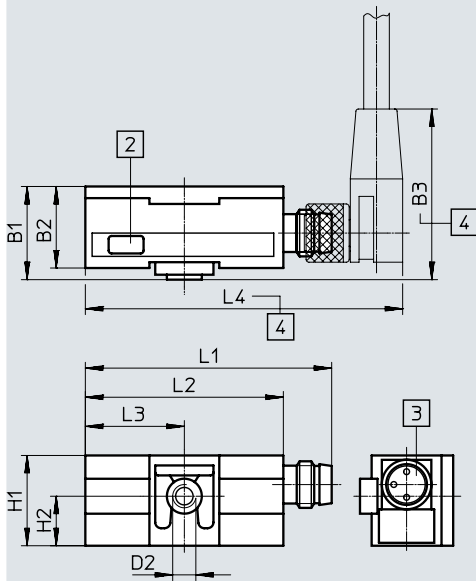
	B1	B2	D1 ∅	D2	H1	H2	L2	L3
	-0.2	±0.3	-0.3		±0.2	±0.1	±0.2	-0.1
SMTO-1- ... SK-LED-24-C	16	14	4	M4	15.5	8.5	34	17

Data sheet

Dimensions

Download CAD data → www.festo.com

SMT0-1-S – Plug M8x1



- [2] Yellow LED
 [3] Suitable for plug socket type SIM-M8
 [4] Installation space for angled plug socket 90°

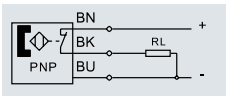
	B1 -0.2	B2 ±0.3	B3	D2	H1 ±0.2	H2 ±0.1	L1 ±0.3	L2 ±0.2	L3 -0.1	L4
SMT0-1-...S-S-LED-24-C	16	14	~27.5	M4	15.5	8.5	42.3	34	17	~54.5

Ordering data

	Switching output	Electrical connection		Cable length [m]	Product weight [g]	Part no.	Type
		Cable	Plug M8x1				
	N/O						
	PNP	3-wire	–	2.5	85	151683	SMT0-1-PS-K-LED-24-C
		–	3-pin	–	–	20	151685
	NPN	3-wire	–	2.5	85	151684	SMT0-1-NS-K-LED-24-C
–		3-pin	–	–	20	151686	SMT0-1-NS-S-LED-24-C

Data sheet

Function
PNP, N/O contact, with plug



- Welding field resistant
- Magneto-inductive measuring principle



Design	
Design	Block design
Type of mounting	With accessories
Tightening torque	[Nm] < 0.3
Outlet direction of connection	In-line
Switching status indication	Yellow LED
Ready status indication	Green LED
Reproducibility of switching value ¹⁾	[mm] ±0.1

1) Only applicable to drives protected against rotation.

Technical data – PNP, N/O contact

Switching output	PNP
Switching element function	N/O
Measured variable	Position
Measuring principle	Magneto-inductive
Based on standard	EN 60947-5-2
Electrical connection	Plug M12x1, 3-pin
Operating voltage range	[V DC] 10 ... 30
Max. output current	[mA] 200
Max. switching capacity DC	[W] 6
Voltage drop	[V] 3
Residual current	[mA] 0.01
Switch-on time	[ms] ≤35
Switch-off time	[ms] ≤20
Immunity to interference from magnetic fields	Alternating magnetic field 50 ... 60 Hz
Short circuit current rating	Pulsed
Overload protection	Available
Reverse polarity protection	For all electrical connections
Special characteristics	Weld field immune, resistant to welding spatter

Operating and environmental conditions

Ambient temperature	[°C] -25 ... +70
CE marking (see declaration of conformity)	To EU EMC Directive ¹⁾ To EU RoHS Directive
UKCA marking (see declaration of conformity)	To UK instructions for EMC To UK RoHS instructions
Certification	RCM
Degree of protection	IP67

1) For information about the area of use, see the EC declaration of conformity at: www.festo.com/catalogue/SMTSO-1 → Support/Downloads.
If the devices are subject to usage restrictions in residential, commercial or light-industrial environments, further measures for the reduction of the emitted interference may be necessary.

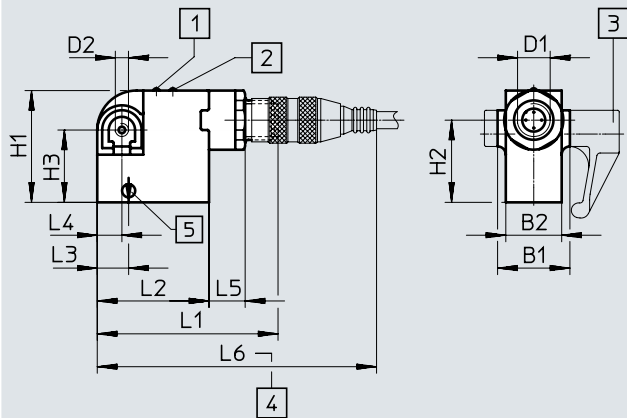
Data sheet

Materials	
Housing	PA, PUR, die-cast zinc
Note on materials	RoHS-compliant

Dimensions

Download CAD data → www.festo.com

Plug M12x1



- [1] Ready status indication, green LED
- [2] Switching status, yellow LED
- [3] Mounting kit SMBT-1
- [4] Installation space for plug socket
- [5] Identification of theoretical switching point

	B1 ±0.25	B2 +0.8	D1	D2	H1 ±0.3	H2 ±0.25	H3 ±0.2	L1 ±0.6	L2 ±0.3	L3	L4 ±0.2	L5 ±0.3	L6
SMTSO-1-PS-S-LED-24	22	16.6	M12x1	M4	34	25	22	55	34	10	7.5	11	~85

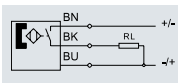
Ordering data					
	Switching output	Electrical connection	Product weight [g]	Part no.	Type
	N/O				
	Welding field resistant				
	PNP	Plug M12x1, 3-pin	70	30441	SMTSO-1-PS-S-LED-24

Ordering data – Connecting cables					
	Switching output	Cable length [m]	Weight [g]	Part no.	Type
Resistant to welding spatter					
	3-wire, M12x1 socket, straight	3	–	30450	SIM-M12-RS-3GD-3
	3-wire, M12x1 socket, angled	3	–	30451	SIM-M12-RS-3WD-3

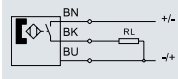
Data sheet

Function

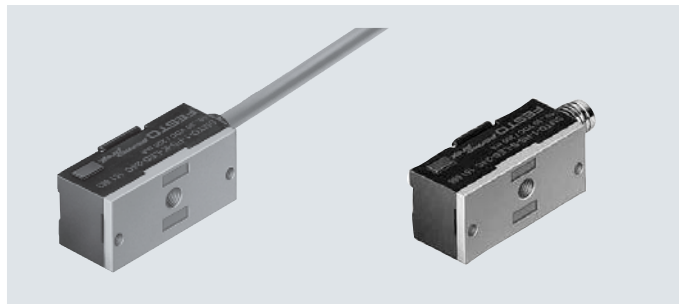
e.g. N/O contact, 3-wire, with cable



e.g. N/O contact, 3-wire, with plug



- Magnetic reed measuring principle



General technical data

Electrical connection	3-wire		2-wire		
Type	SMEO-1-...-24	SMEO-1-S-24-B	SMEO-1-LED-230	SMEO-1-B	SMEO-1-S6, heat resistant
Design	Block design				
Conforms to standard	-	-	EN 60947-5-2	DIN EN 60947-5-2	DIN EN 60947-5-2
Certification	RCM	-	RCM	-	-
CE marking (see declaration of conformity)	To EU EMC Directive	-	To EU EMC Directive	-	-
Note on materials	Free of copper and PTFE				

1) For information about the area of use, see the EC declaration of conformity at: www.festo.com/catalogue/SMEO-1 → Support/Downloads.

If the devices are subject to usage restrictions in residential, commercial or light-industrial environments, further measures for the reduction of the emitted interference may be necessary.

Input signal/measuring element

Type	SMEO-1	SMEO-1-S6, heat resistant
Measuring principle	Magnetic reed	Magnetic reed
Ambient temperature	[°C] -20 ... +70	-50 ... +120

Switching output

Electrical connection	3-wire		2-wire		
Type	SMEO-1-...-24	SMEO-1-S-24-B	SMEO-1-LED-230	SMEO-1-B	SMEO-1-S6, heat resistant
Switching output	Contacting, bipolar				
Switching element function	N/O				
Reproducibility of switching value ¹⁾	[mm]	±0.1			
Switch-on time	[ms]	≤0.5		0.5	
Switch-off time	[ms]	-		0.03	
Max. switching frequency	[Hz]	-		500	
Max. output current	[mA]	1000		1000	1000
Max. output current DC	[mA]	-		120	-
Max. output current AC	[mA]	-		250	-
Max. switching capacity DC	[W]	27		40	
Max. switching capacity AC	[VA]	27		40	
Voltage drop	[V]	-		≤4.5	0
Residual current	[mA]	-		0	

1) Only applicable to drives protected against rotation.

Output, additional data

Short circuit current rating	No
Overload protection	Not provided

Data sheet

Electronics					
Electrical connection		3-wire		2-wire	
Type		SMEO-1-...-24	SMEO-1-S-24-B	SMEO-1-LED-230	SMEO-1-B SMEO-1-S6, heat resistant
Operating voltage range DC	[V]	12 ... 27	0 ... 30	5 ... 200	0 ... 200
Operating voltage range AC	[V]	12 ... 27		5 ... 250	0 ... 250
Reverse polarity protection		No			

Electromechanical systems					
Electrical connection		3-wire		2-wire	
Type		SMEO-1-...-24	SMEO-1-S-24-B	SMEO-1-LED-230	SMEO-1-B SMEO-1-S6, heat resistant
Electrical connection		Cable and plug	Plug M8x1, 3-pin	Cable	
Outlet direction of connection		In-line	–	In-line	
Materials – Cable sheath		TPE-U(PUR)	–	PVC	PVC TPE-S

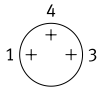
Mechanical components					
Electrical connection		3-wire		2-wire	
Type		SMEO-1-...-24	SMEO-1-S-24-B	SMEO-1-LED-230	SMEO-1-B SMEO-1-S6, heat resistant
Type of mounting		With accessories			
Mounting position		Any			
Tightening torque	[Nm]	–		2.9	

Materials		
Housing	–	Epoxy resin
	–	PC
	PET	PET
	–	Steel
	–	TPE-O
	–	Die-cast zinc
	–	Steel

Data sheet

Display/operation					
Electrical connection	3-wire		2-wire		
Type	SMEO-1-...-24	SMEO-1-S-24-B	SMEO-1-LED-230	SMEO-1-B	SMEO-1-S6, heat resistant
Switching status indication	Yellow LED	–	Yellow LED	–	–

Immission/emission					
Electrical connection	3-wire		2-wire		
Type	SMEO-1-...-24	SMEO-1-S-24-B	SMEO-1-LED-230	SMEO-1-B	SMEO-1-S6, heat resistant
Ambient temperature with flexible cable installation [°C]	–5 ... +70		–5 ... +70		–40 ... +120
Degree of protection	IP67		IP67		
Surge resistance [kV]	–		4		
Pollution degree	–		3		

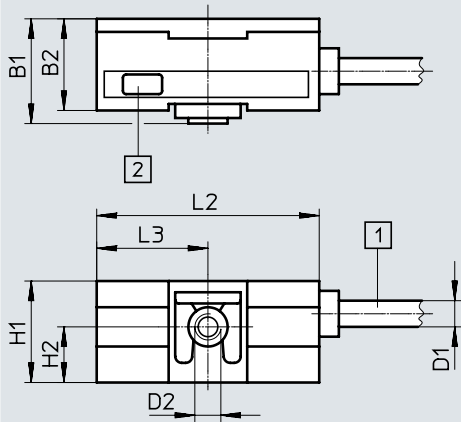
Pin allocation to EN 60947-5-2			
M8x1, 3-pin			
N/O			
	Pin	Wire colour	Allocation
	1	Brown	+
	3	Blue	–
	4	Black	Output

Data sheet

Dimensions

Download CAD data → www.festo.com

SMEO-1 – Cable



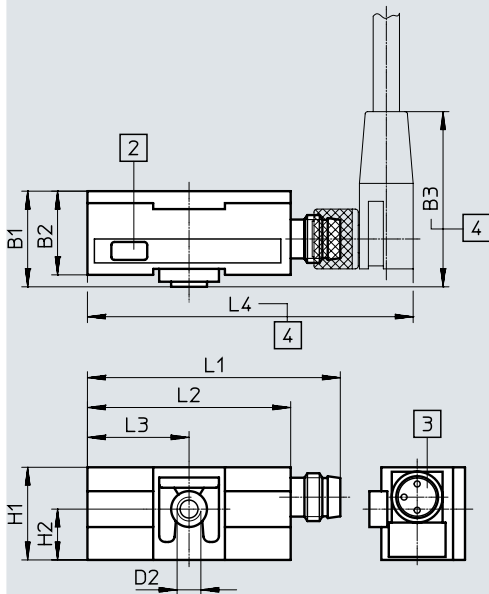
- [1] Connecting cable
- [2] Yellow LED

	B1	B2	D1 ∅	D2	H1	H2	L2	L3
	-0.2	±0.3	+0.3		±0.2	±0.1	±0.2	-0.1
SMEO-1-S6-C	16	14	4.2	M4	15.5	8.5	34	17
SMEO-1-B								
SMEO-1-LED-24-K5-B								
SMEO-1-LED-230-B								
SMEO-1-LED-230-K5-B								
SMEO-1-LED-24-B								

Dimensions

Download CAD data → www.festo.com


SMEO-1-S – Plug M8x1



- [2] Yellow LED
- [3] Suitable for plug socket type SIM-M8
- [4] Installation space for angled plug socket 90°

	B1	B2	B3	D2	H1	H2	L1	L2	L3	L4
	-0.2	±0.3			±0.2	±0.1	±0.2	±0.2	-0.1	
SMEO-1-S-LED-24-B	16	14	~27.5	M4	15.5	8.5	42	34	17	~54.5
SMEO-1-S-24-B										

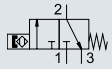
Data sheet

Ordering data						
Electrical connection		Cable length [m]	Switching status indication	Product weight [g]	Part no.	Type
Cable	Plug M8x1					
						
N/O						
Operating voltage range 12 ... 27 V DC						
3-wire	-	2.5	■	85	30459	SMEO-1-LED-24-B
		5.0	■	130	151672	SMEO-1-LED-24-K5-B
-	3-pin	-	■	20	150848	SMEO-1-S-LED-24-B
Operating voltage range 0 ... 30 V DC						
-	3-pin ¹⁾	-	-	20	150847	SMEO-1-S-24-B
Operating voltage range 0 ... 250 V AC, 0 ... 200 V DC						
2-wire	-	2.5	■	100	151671	SMEO-1-LED-230-B
		5.0	■	130	160998	SMEO-1-LED-230-K5-B
		2.5	-	100	30457	SMEO-1-B
Heat resistant up to 120°C						
2-wire	-	2.5	-	100	151673	SMEO-1-S6-C

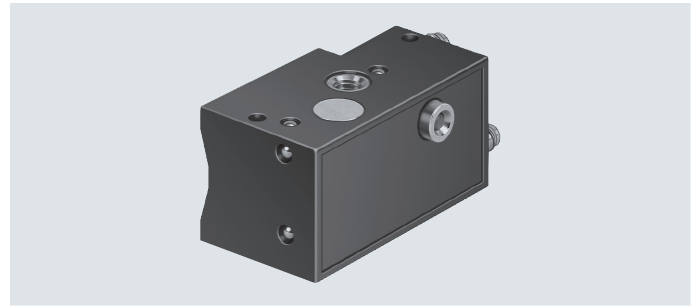
1) The proximity switch has 2 wires internally. One pin of the M8 plug is unused.

Data sheet

Function
3/2-way valve,
normally closed



- Pneumatic proximity switch
- Magnetic measuring principle



Design	
Design	Block design
Type of mounting	Via through-hole
	With accessories
Reproducibility of switching value ¹⁾	[mm] ±0.2
Switching status indication	Optical

1) Only applicable to drives protected against rotation.

Technical data	
Switching element function	3/2-way valve, normally closed
Operating medium	Compressed air to ISO 8573-1:2010 [6:4:4]
Note on the operating/pilot medium	Lubricated operation not possible
Operating pressure	[bar] 2 ... 6
Switch-on time	[ms] <30
Switch-off time	[ms] <25
Pneumatic connection	Barbed connector for tubing I.D. 3 mm
Degree of protection	IP65

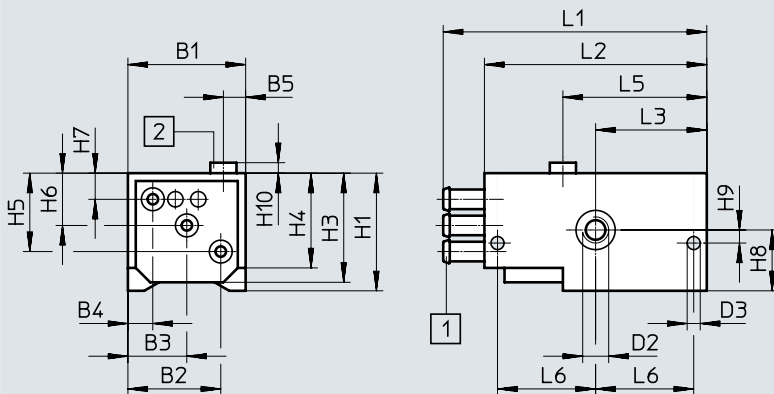
Operating and environmental conditions	
Ambient temperature	[°C] -15 ... +60

Materials	
Housing	PA, POM
Barbed connector	Brass

Data sheet

Dimensions

Download CAD data → www.festo.com



- [1] Barbed connector for tubing I.D. 3 mm
- [2] Switching status indication

	B1	B2	B3	B4	B5	D2	D3	H1	H3	H4	H5
	-0.2	±0.2	±0.2	±0.1	±0.1		∅ ±0.1	±0.2	±0.2	±0.2	±0.2
SMPO-1-H-B	18	14.2	9	3.8	3.4	M4	2	18	16.7	14.5	12

	H6	H7	H8	H9	H10	L1	L2	L3	L5	L6
	±0.2	±0.1	±0.2	±0.1	±0.1		±0.3	±0.2	±0.2	±0.2
SMPO-1-H-B	8	4	9.3	2	1.6	~40.3	34	17	22	15

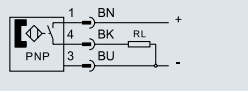
Ordering data

	Pneumatic connection	Product weight [g]	Part no.	Type
	3/2-way valve, normally closed Barbed connector for tubing I.D. 3 mm	14	31008	SMPO-1-H-B

Data sheet

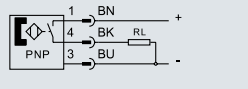
Function

PNP, N/O contact, with cable

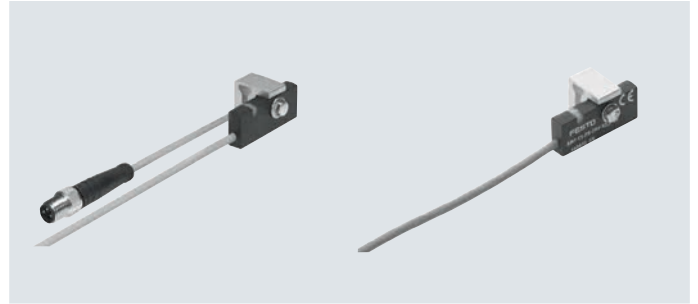


Function

PNP, N/O contact, with plug



- Magneto-inductive measuring principle
- For standards-based cylinders DSBF-C or CDN-...-R with sensor rail



General technical data

Design	Block design
Based on standard	EN 60947-5-2
Certification	RCM
CE marking (see declaration of conformity)	To EU EMC Directive ¹⁾
Note on materials	Free of copper and PTFE Halogen-free

1) For information about the area of use, see the EC declaration of conformity at: www.festo.com/catalogue/SMT-C1 → Support/Downloads.
If the devices are subject to usage restrictions in residential, commercial or light-industrial environments, further measures for the reduction of the emitted interference may be necessary.

Input signal/measuring element

Measuring principle	Magneto-inductive
Measured variable	Position
Ambient temperature	[°C] -20 ... +70

Switching output

Switching output	PNP
Switching element function	N/O
Switch-on time	[ms] 0 ... 0.5
Switch-off time	[ms] 0 ... 0.5
Max. output current	[mA] 200
Max. switching capacity DC	[W] 6
Voltage drop	[V] 0 ... 1.8

Output, additional data

Short circuit current rating	Pulsed
Overload protection	Available

Data sheet

Electronics				
Operating voltage range DC	[V]	10 ... 30		
Residual ripple	[%]	10		
Reverse polarity protection		For all electrical connections		
Electromechanical systems				
Type		SMT-C1-...-OE	SMT-C1-...-M8D	SMT-C1-...-M12
Electrical connection		Cable, 3-wire	Cable with plug M8x1, 3-pin, rotatable thread	Cable with plug M12x1, 3-pin
Outlet direction of connection		In-line		
Cable length	[m]	-	0.3	0.3
		5	-	-
		10	-	-
Information on materials: Cable sheath		TPE-O		
Wire ends		Wire end sleeve		
Mechanical components				
Type of mounting		Clamped		
Tightening torque	[Nm]	1.2		
Mounting position		Any		
Information on housing materials		High-alloy stainless steel		
		Wrought aluminium alloy		
		Nickel-plated brass		
		PP		
		TPE-O		
		TPE-U(PU)		
Display/operation				
Switching status indication		Yellow LED		
Immission/emission				
Ambient temperature with flexible cable installation	[°C]	-20 ... +70		
Degree of protection		To IEC 60529		
		IP65		
		IP68		

Data sheet

Pin allocation to EN 60947-5-2

M8x1, 3-pin

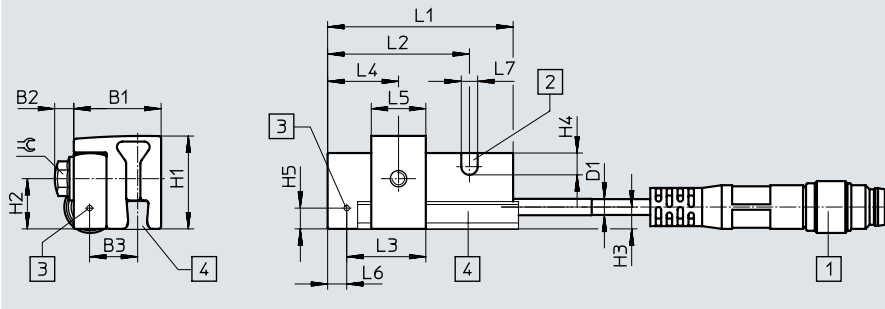
N/O			
	Pin	Wire colour	Allocation
	1	Brown	+
	3	Blue	-
	4	Black	Output

M12x1, 3-pin

N/O			
	Pin	Wire colour	Allocation
	1	Brown	+
	3	Blue	-
	4	Black	Output

Dimensions

Download CAD data → www.festo.com



- [1] Example: plug M8
- [2] Yellow LED
- [3] Theoretical switching point
- [4] Mounting rail on the drive

	B1	B2	B3	D1	H1	H2	H3	H4	H5	L1	L2	L3	L4	L5	L6	L7	⌀
SMT-C1	16	3.5	8.8	3	17	9.2	4	4	3.8	34	26	14.5	13	10	3.5	3	5.5

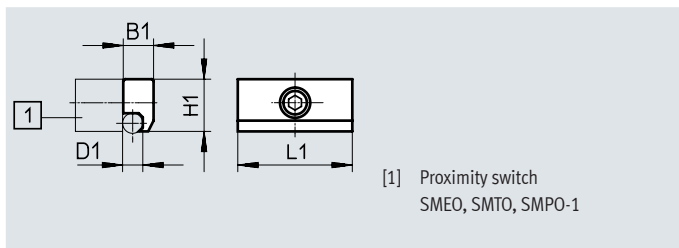
Ordering data

	Switching output	Electrical connection		Cable length [m]	Product weight [g]	Part no.	Type	
		Cable	Cable with plug M8x1, rotatable thread					
	N/O PNP	3-wire	-	-	5	65.9	571339	SMT-C1-PS-24V-K-5.0-OE
			-	-	10	114.5	571340	SMT-C1-PS-24V-K-10.0-OE
		-	3-pin	-	0.3	24.4	571342	SMT-C1-PS-24V-K-0.3-M8D
		-	-	3-pin	0.3	32.6	571341	SMT-C1-PS-24V-K-0.3-M12

Accessories

Mounting kit SMB-1

Material:
Die-cast zinc

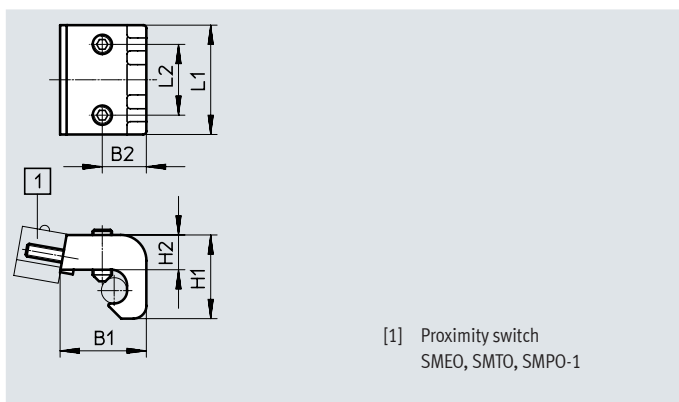


Dimensions and ordering data

For piston \varnothing	B1	D1 \varnothing	H1	L1	Part no.	Type
32 ... 100	9	6	15.5	34	11886	SMB-1

Mounting kit SMB-2-B/SMB-3-B

Material:
Die-cast aluminium

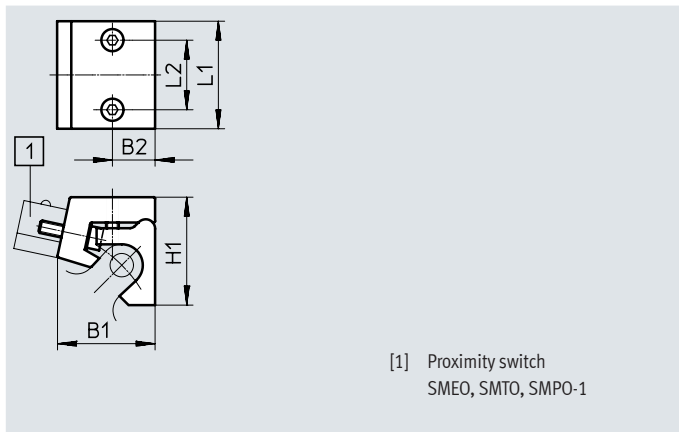


Dimensions and ordering data

For piston \varnothing	B1	B2	H1	H2	L1	L2	Part no.	Type
32 ... 50	18	11	23	11.6	34	22	36162	SMB-2-B
63 ... 100	26.8	13.7	26	10.8	34	22	36163	SMB-3-B

Mounting kit SMBU

Material:
Die-cast aluminium



Dimensions and ordering data

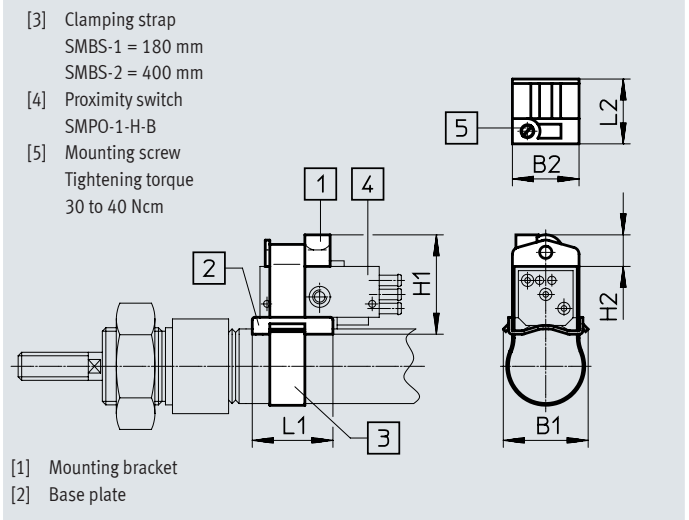
For piston \varnothing	B1	B2	H1	L1	L2	Part no.	Type
32 ... 50	19	8.5	30	34	22	36173	SMBU-1-B ¹⁾
63 ... 100	31	13.5	34	34	22	36174	SMBU-2-B ¹⁾
125	31	13.5	37	34	22	152828	SMBU-3-B

1) Free of copper and PTFE

Accessories

Mounting kit SMBS

Material:
Brass, polymer

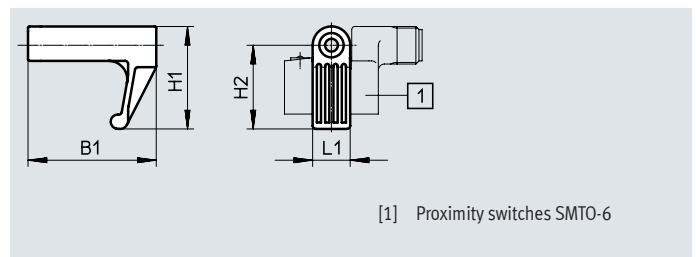


Dimensions and ordering data

For piston \varnothing	B1	B2	H1	H2	L1	L2	Part no.	Type
8 ... 25	24.2	19	~29	9	23	18.5	151225	SMBS-1
32 ... 100							151226	SMBS-2

Mounting kit SMBT-1


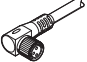

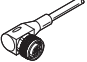
Material:
Die-cast zinc



Dimensions and ordering data

For piston \varnothing	B1 ± 0.3	H1	H2 ± 0.2	L1 ± 0.2	Part no.	Type
32 ... 200	41	33	27	12	150002	SMBT-1

Accessories

Ordering data – Connecting cables		Number of wires	Cable length [m]	Part no.	Type	Data sheets → Internet: nebu
Socket M8x1, 3-pin						
	For SMT-C1 and SMT0/SME0-1	3	2.5	541333	NEBU-M8G3-K-2.5-LE3	
			5	541334	NEBU-M8G3-K-5-LE3	
	For SMT-C1 and SMT0/SME0-1	3	2.5	541338	NEBU-M8W3-K-2.5-LE3	
			5	541341	NEBU-M8W3-K-5-LE3	
Socket M12x1, 5-pin						
	For SMT-C1 and SMT0-6, SMTSO-1	3	2.5	541363	NEBU-M12G5-K-2.5-LE3	
			5	541364	NEBU-M12G5-K-5-LE3	
	For SMT-C1 and SMT0-6, SMTSO-1	3	2.5	541367	NEBU-M12W5-K-2.5-LE3	
			5	541370	NEBU-M12W5-K-5-LE3	

Festo - Your Partner in Automation



1 Festo Inc.
5300 Explorer Drive
Mississauga, ON L4W 5G4
Canada

Festo Customer Interaction Center
Tel: 1 877 463 3786
Fax: 1 877 393 3786
Email: customer.service.ca@festo.com



2 Festo Pneumatic
Av. Ceylán 3,
Col. Tequesquináhuac
54020 Tlalnepantla,
Estado de México

Multinational Contact Center
01 800 337 8669
ventas.mexico@festo.com



3 Festo Corporation
1377 Motor Parkway
Suite 310
Islandia, NY 11749

Festo Customer Interaction Center
1 800 993 3786
1 800 963 3786
customer.service.us@festo.com



4 Regional Service Center
7777 Columbia Road
Mason, OH 45040

Connect with us



www.festo.com/socialmedia



www.festo.com

Subject to change