

Proximity switches for T-slot

FESTO



Festo core product range
Covers 80% of your automation tasks

Worldwide:
Superb:
Easy:

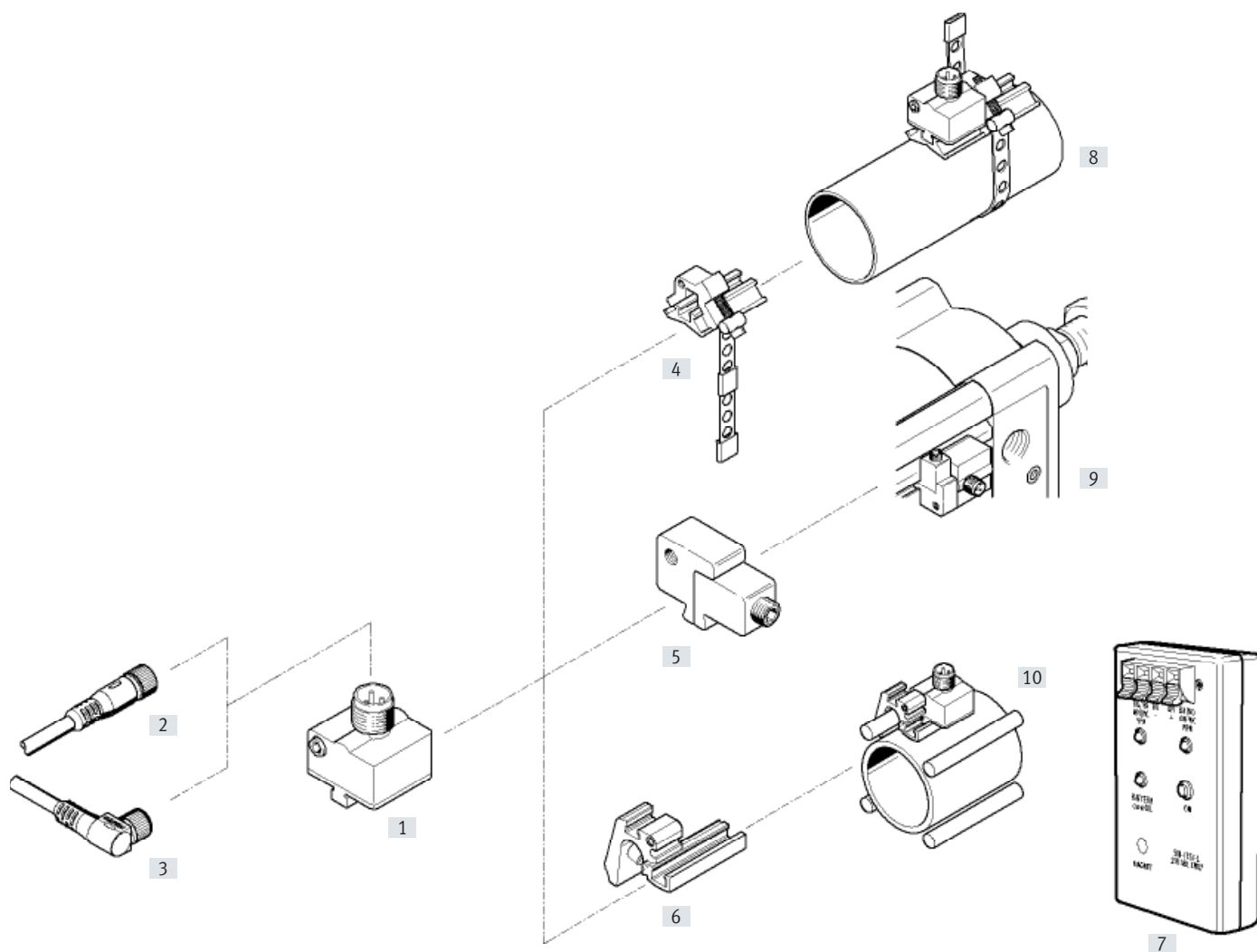
Always in stock
Festo quality at an attractive price
Simplified procurement and warehousing

★ Generally ready for shipping ex works in 24 hours
In stock at 13 Service Centres worldwide
More than 2200 products

☆ Generally ready for shipping ex works in 5 days
Assembled for you at 4 Service Centres worldwide
Up to 6×10^{12} variants per product family

Just look
for the
star!

Peripherals overview



Peripherals overview

Mounting attachments and accessories		→ Page	Mounting attachments and accessories		→ Page
Proximity switches			Mounting kits and accessories		
[1]	SMT0/SMTSO, with plug	4	[4]	Mounting kit SMBR-8-8/100-S6, heat resistant	9
			[5]	Mounting kit SMB-8E	9
			[6]	Mounting SMBZ-8-...	10
			[7]	Sensor tester SM-TEST-1	11
			–	Positioning element SMM-8	10
			–	Clip SMBK-8	11
			–	Inscription label ASLR	11
			–	Safety clip NEAU	11
Connecting cables			Drives		
[2]	NEBU-M...G...	11	[8]	Round cylinders	–
[3]	NEBU-M...W...	11	[9]	Standards-based cylinder DSBC	–
			[10]	Drives with tie or mounting rod	–

Type codes

001	Series
SMT0	Proximity sensor, magneto-resistive
002	Design type
8	For T-slot
003	Sensor version
E	Mounting with accessories
004	Switching output
NS	3-wire NPN N/O contact
PS	3-wire PNP N/O contact

005	Electrical connection, cable length
S	Plug M8x1 with cable, 0.3 m
M12	Plug M12x1
006	Display
L	LED
007	Nominal operating voltage
1	24 V DC

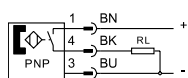
001	Series
SMTSO	Proximity sensor, magneto-inductive, welding field immune
002	Design type
8	For T-slot
003	Sensor version
E	Mounting with accessories
004	Switching output
NS	3-wire NPN N/O contact
PS	3-wire PNP N/O contact

005	Electrical connection
M12	Plug M12, A-coded
006	Display
L	LED
007	Nominal operating voltage
1	24 V DC

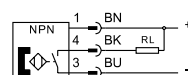
Data sheet – Magneto-resistive

Function

PNP, N/O contact with plug



NPN, N/O contact with plug



- Magneto-resistive measuring principle
- Welding-field-resistant designs



General technical data		
Type	SMT0-8E	SMTSO-8E, welding-field-resistant
Design	For T-slot	
Certification	RCM compliance mark	
Based on standard	EN 60947-5-2	
CE marking (see declaration of conformity)	To EU EMC Directive ¹⁾ To EU RoHS Directive	
UKCA marking (see declaration of conformity)	To UK instructions for EMC To UK RoHS instructions	
Application information	Support / Actuator-sensor overview "The right sensor for the actuator"	
Note on materials	RoHS-compliant	
Inductive protective circuit	Adapted to MZ, MY, ME coils	–
Special characteristics	–	Resistant to welding spatter

1) For information about the area of use, see the EC declaration of conformity at: www.festo.com/sp → Certificates.

If the devices are subject to usage restrictions in residential, commercial or light-industrial environments, further measures for the reduction of the emitted interference may be necessary.

Input signal/measuring element		
Type	SMT0-8E	SMTSO-8E, welding-field-resistant
Measuring principle	Magneto-resistive	Magneto-inductive
Ambient temperature	[°C] –20 ... +60	–25 ... +70

Switching output				
Type	SMT0-8E		SMTSO-8E, welding-field-resistant	
Switching output	PNP	NPN	PNP	NPN
Switching element function	N/O contact			
Repetition accuracy	[mm]	0.2		
Reproducibility of switching value	[mm]	±0.1		
Switch-on time	[ms]	0 ... 1.3		0 ... 38
Switch-off time	[ms]	0 ... 1.4		0 ... 20
Max. output current	[mA]	100		200
Max. switching capacity DC	[W]	2.8		6
Voltage drop	[V]	0 ... 1.8		0 ... 1.8 0 ... 3
Residual current	[mA]	0.01	0.15	0.01

Output, additional data				
Type	SMT0-8E		SMTSO-8E, welding-field-resistant	
Switching output	PNP	NPN	PNP	NPN
Short circuit current rating	Yes		Yes	Pulsed
Overload protection	Present			

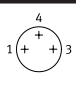
Electronics		
Operating voltage range DC	[V]	10 ... 30
Reverse polarity protection	For all electrical connections	

Data sheet – Magneto-resistive

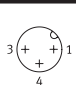
Electromechanics			
Type	SMT0-8E...S	SMT0-8E...M12	SMTSO-8E...-M12, welding-field-resistant
Electrical connection	Plug M8x1, 3-pin	Plug M12x1, 3-pin	Plug M12x1, 3-pin
Connection technology	M8x1, A-coded to EN 61076-2-104	M12x1, A-coded to EN 61076-2-101	M12x1, A-coded to EN 61076-2-101
Number of pins/wires	3	3	3
Type of mounting	–	–	Screw-type lock
Outlet direction of connection	Lateral		
Max. tightening torque, plug [Nm]	0.3	0.5	0.5

Pin allocation to EN 60947-5-2

M8x1, 3-pin
N/O contact

	Pin	Wire colour	Allocation
	1	Brown	+
	3	Blue	–
	4	Black	Output

M12x1, 3-pin
N/O contact

	Pin	Wire colour	Allocation
	1	Brown	+
	3	Blue	–
	4	Black	Output

Mechanics

Type	SMT0-8E...S	SMT0-8E...M12	SMTSO-8E...-M12, welding-field-resistant
Type of mounting	Clamped in T-slot		
	Inserted in the slot from above		
	With accessories		
Tightening torque [Nm]	1	0.5	0.5
Information on materials: Housing	TPE-U(PU)	TPE-U(PU)	TPE-U(PU)
	Nickel-plated brass	High-alloy stainless steel	High-alloy stainless steel
	–	Wrought aluminium alloy	Wrought aluminium alloy
	–	–	PA

Display/operation

Switching status indication	Yellow LED
-----------------------------	------------

Immission/emission

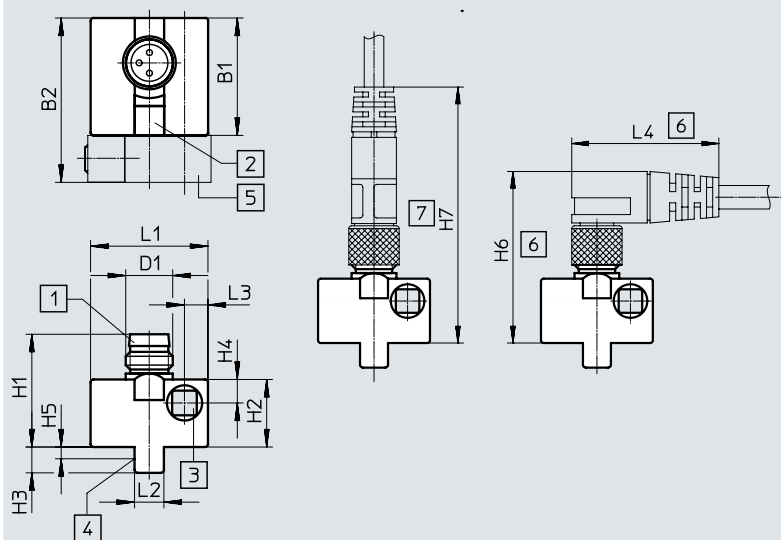
Type	SMT0-8E...S	SMT0-8E...M12	SMTSO-8E...-M12, welding-field-resistant
Degree of protection	IP65		
	IP67		
Resistance to interference from magnetic fields	–	–	Alternating magnetic field 45 ... 65 Hz

Data sheet – Magneto-resistive

Dimensions

Download CAD data → www.festo.com

SMT0-8E...S-LED-24 – Plug M8x1



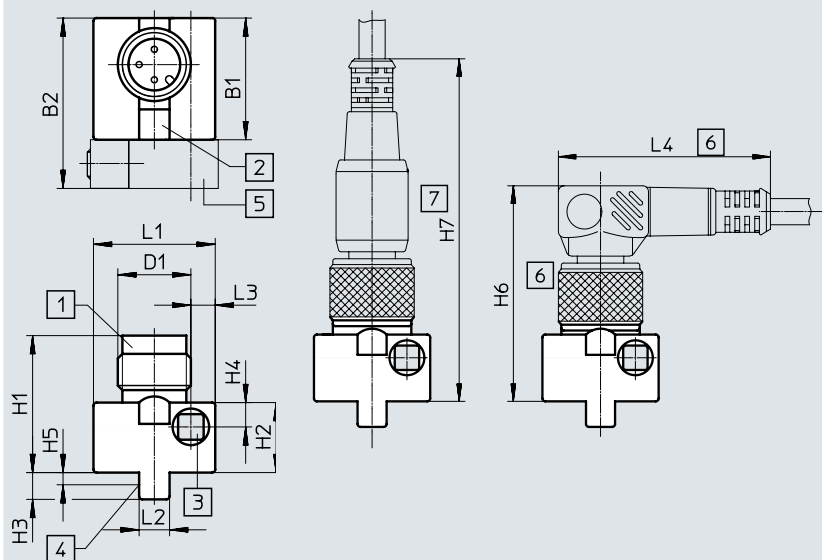
- [1] Suitable for plug socket type SIM-M8
- [2] Yellow light emitting diode
- [3] Socket head screw M3x25 DIN 912, max. tightening torque 1 Nm
- [4] Theoretical switching point
- [5] Mounting kit SMB-8E (not included in scope of delivery)
- [6] Installation space for angled plug socket 90°
- [7] Installation space for straight plug socket

	B1 ±0.3	B2	D1	H1	H2 ±0.27	H3	H4	H5	H6	H7	L1 ±0.3	L2	L3	L4
SMT0-8E- ... S-LED-24	20	28	M8x1	19.2	11.5	4.4	4	2.2	~32	~46	20	5	4	~26

Dimensions

Download CAD data → www.festo.com

SMT0-8E--M12-LED-24 – Plug M12x1



- [1] Suitable for plug socket type SIM-M12
- [2] Yellow light emitting diode
- [3] Socket head screw M3x25 DIN 912, max. tightening torque 1 Nm
- [4] Theoretical switching point
- [5] Mounting kit SMB-8E (not included in scope of delivery)
- [6] Installation space for angled plug socket 90°
- [7] Installation space for straight plug socket

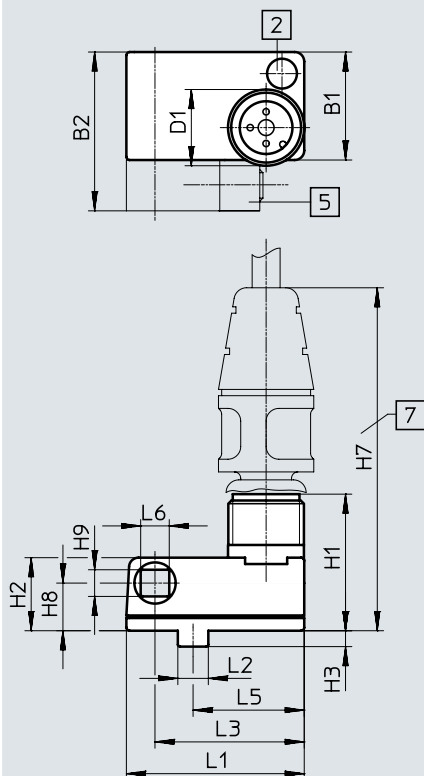
	B1 ±0.3	B2	D1	H1 ±0.34	H2 ±0.27	H3	H4	H5	H6	H7	L1 ±0.3	L2	L3	L4
SMT0-8E- ... -M12-LED-24	20	28	M12x1	22.5	11.5	4.4	4	2.2	~36	~59	20	5	4	~36.5

Data sheet – Magneto-resistive

Dimensions

Download CAD data → www.festo.com

SMTSO-8E...-M12-LED-24 – Plug M12x1



- [2] Yellow light emitting diode
- [5] Mounting kit SMB-8E (included in the scope of delivery)
- [7] Installation space for connecting cable NEBU-M12G5

	B1	B2	D1	H1 +0.5	H2	H3 ±0.2	H7	H8	H9	L1	L2	L3	L5	L6
SMT0-8E- ... -M12-LED-24	17	24.8	M12x1	21.5	11.5	2.5	~56	7.5	4.2	28	4.8	23.5	17.5	4.5

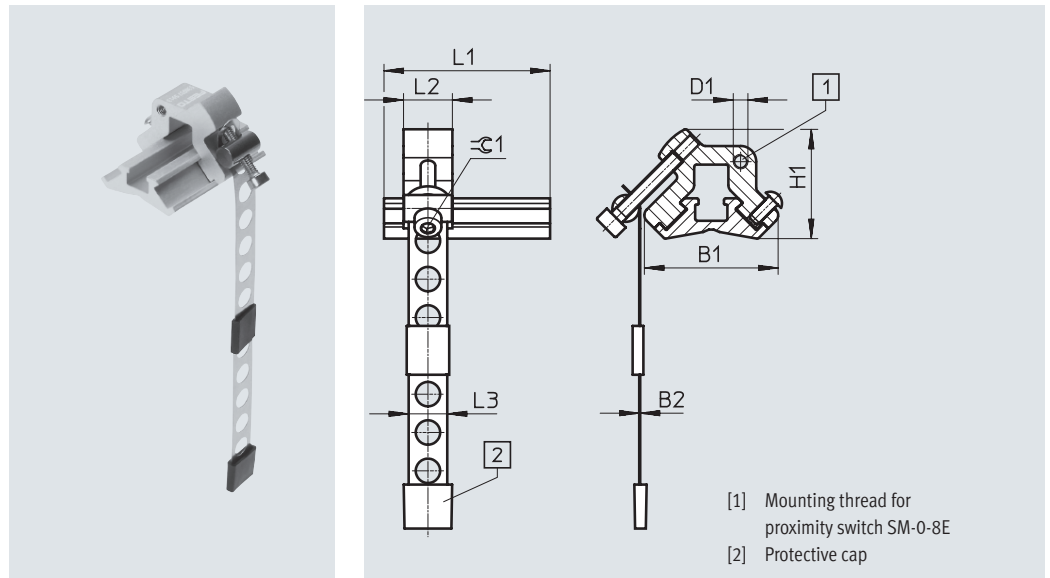
Ordering data

	Switching output	Electrical connection	Plug M12x1	Weight [g]	Part no.	Type
		Plug M8x1				
N/O contact, basic version						
	PNP	3-pin	–	12	171178	SMT0-8E-PS-S-LED-24
		–	3-pin		171179	SMT0-8E-PS-M12-LED-24
	NPN	3-pin	–		171166	SMT0-8E-NS-S-LED-24
		–	3-pin		171176	SMT0-8E-NS-M12-LED-24
N/O contact, welding-field-resistant						
	PNP	–	3-pin	19	191986	SMTSO-8E-PS-M12-LED-24
	NPN	–	3-pin	10	175825	SMTSO-8E-NS-M12-LED-24

Accessories

Mounting kit SMBR-8-8/100-S6

Material:
 Rail: Anodised wrought aluminium alloy
 Clamping strap, screws: High-alloy stainless steel
 Free of copper and PTFE
 RoHS-compliant



Dimensions and ordering data											
For piston \varnothing	B1	B2	D1	H1	L1	L2	L3	$\approx\text{G}1$	CRC ¹⁾	Part no.	Type
8 ... 100	27.4	0.2	M3	22.4	34	10	7.9	2.5	4	★ 538937	SMBR-8-8/100-S6

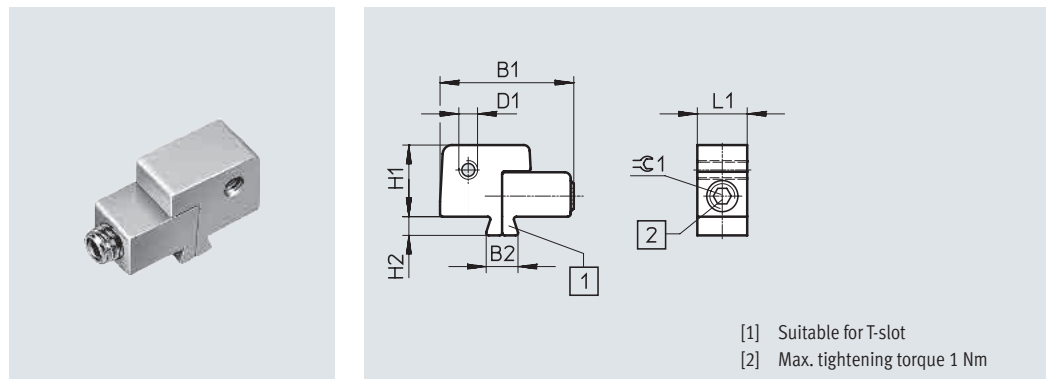
1) Corrosion resistance class CRC 4 to Festo standard FN 940070

Particularly high corrosion stress. Outdoor exposure under extreme corrosive conditions. Parts exposed to aggressive media, e.g. in the chemical or food industries. Such applications may need to be safeguarded by means of special testing (→ also FN 940082), using appropriate media.

Mounting kit SMB-8E

Material:
 Anodised aluminium, stainless steel

Note on materials: RoHS-compliant



Ordering data											
For piston \varnothing	B1	B2	D1	H1	H2	L1	$\approx\text{G}1$	Part no.	Type		
10 ... 125	21.5	5.1	M3	11.5	3	8	2.5	178230	SMB-8E		

Accessories

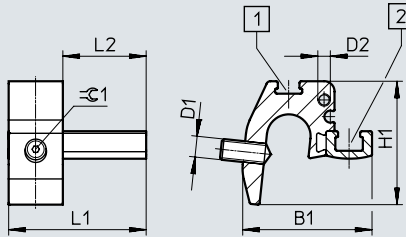
Mounting SMBZ-8-...

Design: For tie rods
 Mounting position: Any
 Type of mounting: Clamped
 Tightening torque: ≤ 0.5 Nm
 Ambient temperature:
 -40 ... +120°C
 PWIS conformity:
 VDMA24364-B2-L

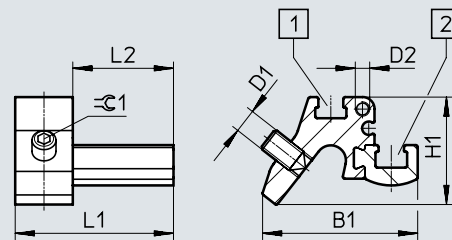
Material:
 Housing: Anodised wrought aluminium alloy
 Screws: High-alloy stainless steel
 Free of copper and PTFE
 RoHS-compliant



SMBZ-8-32/100



SMBZ-8-125/320



[1] Slot for inscription label
 [2] Slot for proximity switch

Dimensions and ordering data

For piston \varnothing	B1	D1	D2	H1	L1	L2	\varnothing 1	Weight [g]	CRC ¹⁾	Part no.	Type
32 ... 100	31	M5	M3	30	33	20	1.5	14	2	537806	SMBZ-8-32/100
125 ... 320	32.3			22			2.5			537808	SMBZ-8-125/320

1) Corrosion resistance class CRC 2 to Festo standard FN 940070

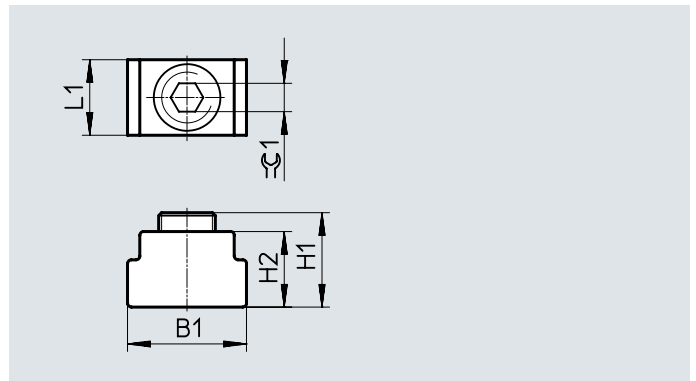
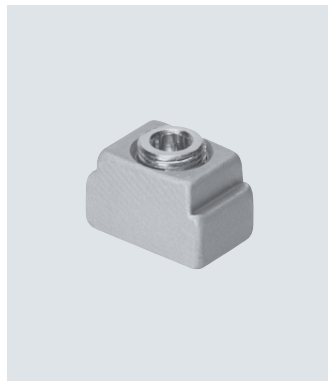
Moderate corrosion stress. Indoor application where condensation is allowed to occur. External visible parts with primarily decorative surface requirements which are in direct contact with a normal industrial environment.

Positioning element SMM

Insertable in the slot lengthwise

Ambient temperature: -40 ... +120°C

Materials:
 Housing: Anodised wrought aluminium alloy
 Screws: High-alloy stainless steel
 Note on materials: RoHS-compliant



Dimensions and ordering data





B1	H1	H2	L1	\varnothing 1	CRC ¹⁾	Part no.	Type	PJ ²⁾
6.3	5.0	4.0	4.0	1.5	3	547941	SMM-8	10


1) Corrosion resistance class CRC 3 to Festo standard FN 940070

High corrosion stress. Outdoor exposure under moderate corrosive conditions. Externally visible parts with primarily functional surface requirements which are in direct contact with a normal industrial environment.

2) Packaging unit


Accessories

Ordering data – Connecting cables		Number of wires	Cable length [m]	Part no.	Type	Data sheets → Internet: nebu/sim
Socket M8x1, 3-pin						
	For SMT/SME-8... and SMT0/SMTSO/SME0-8E	3	2.5	★ 541333	NEBU-M8G3-K-2.5-LE3	
			5	★ 541334	NEBU-M8G3-K-5-LE3	
	For SMT/SME-8... and SMT0/SMTSO/SME0-8E	3	2.5	★ 541338	NEBU-M8W3-K-2.5-LE3	
			5	★ 541341	NEBU-M8W3-K-5-LE3	
Socket M12x1, 5-pin						
	For SMT/SME-8M and SMT0/SMTSO/SME0-8E	3	2.5	★ 541363	NEBU-M12G5-K-2.5-LE3	
			5	★ 541364	NEBU-M12G5-K-5-LE3	
	For SMT/SME-8M and SMT0/SMTSO/SME0-8E	3	2.5	541367	NEBU-M12W5-K-2.5-LE3	
			5	541370	NEBU-M12W5-K-5-LE3	

Ordering data – Safety clip for ATEX zone		Size	Description	Part no.	Type	PU ¹⁾
	M8	<ul style="list-style-type: none"> Protects "equipment that is not intrinsically safe" in zones 2 and 22 against simple disconnection ATEX category: gas: II 3G / dust: II 3D 	548067	NEAU-M8-GD	1	
	M12		548068	NEAU-M12-GD	1	

1) Packaging unit

Ordering data – Mounting components		Description	Part no.	Type
		For fixing connecting cables in place	534254	SMBK-8

Ordering data – Sensor tester		Description	Part no.	Type
		<ul style="list-style-type: none"> Testing the functionality of proximity switches using the integrated voltage supply Adjusting proximity switches on the cylinder 	158481	SM-TEST-1

Ordering data – Inscription labels		Size	Part no.	Type	PU ¹⁾
		23x4 mm	541598	ASLR-L-423	34

1) Packaging unit

Festo - Your Partner in Automation



1 Festo Inc.
5300 Explorer Drive
Mississauga, ON L4W 5G4
Canada

Festo Customer Interaction Center
Tel: 1 877 463 3786
Fax: 1 877 393 3786
Email: customer.service.ca@festo.com



2 Festo Pneumatic
Av. Ceylán 3,
Col. Tequesquináhuac
54020 Tlalnepantla,
Estado de México

Multinational Contact Center
01 800 337 8669
ventas.mexico@festo.com



3 Festo Corporation
1377 Motor Parkway
Suite 310
Islandia, NY 11749

Festo Customer Interaction Center
1 800 993 3786
1 800 963 3786
customer.service.us@festo.com



4 Regional Service Center
7777 Columbia Road
Mason, OH 45040

Connect with us



www.festo.com/socialmedia



www.festo.com

Subject to change