

Proximity switches for T-slot

FESTO



Festo Core Range
Solves the majority of your automation tasks

With the Festo Core Range, we have selected the most important products and functions from our broad product catalogue, and added the quickest delivery.

Worldwide: Quickest delivery – wherever, whenever
Simply good: Expected high Festo quality
Fast: Easy and fast to select

The Core Range offers you the best value for your automation tasks.

Just look
for the
star!

Product range overview

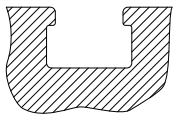
Design	Type of mounting	Measuring principle	Type	Operating voltage range	Switching output	Switching element function	→ Page	
For T-slot	Standard							
	Screw-clamped, inserted in the slot from above	Magnetic Hall	SDBT-MSX	10 ... 30 V DC	PNP/NPN, switchable	N/O/ N/C contact, switchable	–	
	Inserted in the slot from above, flush with the cylinder profile	Magneto-resistive	SMT-8M-A	5 ... 30 V DC	PNP	N/O contact	–	
					NPN	N/O contact		
					Non-contacting, 2-wire	N/O contact		
	Inserted in the slot from above, flush with the cylinder profile	Magnetic reed	SME-8M	5 ... 30 V AC/DC	Contacting, bipolar	N/O contact N/C contact	–	
	Inserted in the slot lengthwise, flush with the cylinder profile	Magnetic reed	SME-8	12 ... 30 V AC/DC	Contacting, bipolar	N/O contact	–	
				3 ... 230 V AC/DC		N/O contact	–	
	Inserted in the slot lengthwise	Magneto-resistive	SMT-8G	10 ... 30 V DC	PNP, NPN	N/O contact	11	
		Magneto-resistive	SMT-8-SL	10 ... 30 V DC	PNP	N/O contact	7	
		Magnetic reed	SME-8-SL	10 ... 30 V AC/DC	Contacting, bipolar	N/O contact	–	
	With accessories	Magneto-resistive	SMT-8E	10 ... 30 V DC	PNP	N/O contact	–	
					NPN			
		Magnetic reed	SME-8E	12 ... 30 V DC 3 ... 250 V DC 3 ... 230 V AC	Contacting, bipolar	N/O contact	–	
	Corrosion-resistant							
	Inserted in the slot from above, flush with the cylinder profile	Magneto-resistive	CRSMT-8M	5 ... 30 V DC	PNP		N/O contact	–
	Welding-field-resistant							
	Inserted in the slot from above, screw-clamped	Magneto-resistive	SDBT-BSW	10 ... 30 V DC	PNP	N/O contact	–	
					NPN			
					Non-contacting, 2-wire			
	With accessories	Magneto-inductive	SMT-8E	10 ... 30 V DC	PNP NPN	N/O contact	–	
	Heat-resistant up to 120°C							
	Inserted in the slot lengthwise, flush with the cylinder profile	Magnetic reed	SME-8-...S6	0 ... 30 V AC/DC	Contacting, bipolar	N/O contact	–	
	With accessories	Magnetic reed	SME-8E-...S6	0 ... 30 V DC	Contacting	N/O contact	–	
				0 ... 30 V AC				
	To EU Explosion Protection Directive (ATEX)							
	Inserted in the slot from above, screw-clamped	Magneto-resistive	SDBT-MS-...-EX6	8.2 V DC	NAMUR		NAMUR	–

Product range overview

Design	Type of mounting	Measuring principle	Type	Operating voltage range	Switching output	Switching element function	→ Page
For C-slot	Standard	Magneto-resistive	SMT-10M	10 ... 30 V DC	PNP	N/O contact	C-slot
					NPN		
					Non-contacting, 2-wire		
	Inserted in the slot from above, flush with the cylinder profile	Magnetic reed	SME-10M	5 ... 30 V AC/DC	Contacting, bipolar	N/O contact	
					Contacting	N/O contact	
		Inserted in the slot lengthwise	Magneto-resistive	SMT-10G	10 ... 30 V DC	PNP	
Magnetic reed	SME-10		12 ... 27 V AC/DC	Contacting	N/O contact		

T-slot switches can be used for drives with T-slot

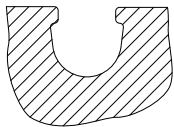
Exceptions



- DFM-B: SMT0-8E, SMTSO-8E, SME0-8E and SMPO-8E cannot be used
- DHDS: SME-8M can only be used on $\varnothing 50$
- DHPS: SME-8M can only be used on $\varnothing 20 \dots 35$
- HGDD-63-A: SMT-8M-A cannot be used
- HGPT-B: only SMT-8G can be used from size 40 and upwards
- SDBT-BSW- ... -PU/NU can only be used on a limited number of drive series. Page → 53

C-slot switches can be used for drives with C-slot

Exceptions



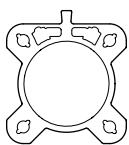
- ADVC $\varnothing 100$: SMT-10M and SME-10M cannot be used (ADVC has a T-slot and C-slot)
- DSM/DSM-B-6/8/10: SME-10M cannot be used
- DSM/DSM-B-10/16: SMT-10M cannot be used
- HGPT-B: only SMT-10G can be used for sizes up to and including size 35

For drives with sensor rail: these are available with 2 cylinder barrel contours

Only T-slot switches CRSMT-8M, SMT-8M-A and SDBT-MS- ... -EX6 can be used, and only with the identified profile.

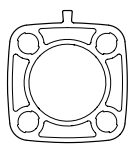
CRSMT-8M and SMT-8M-A can be used for all diameters; SDBT-MS- ... -EX6 cannot be used for diameters 40 and 50.

Example: DSBF



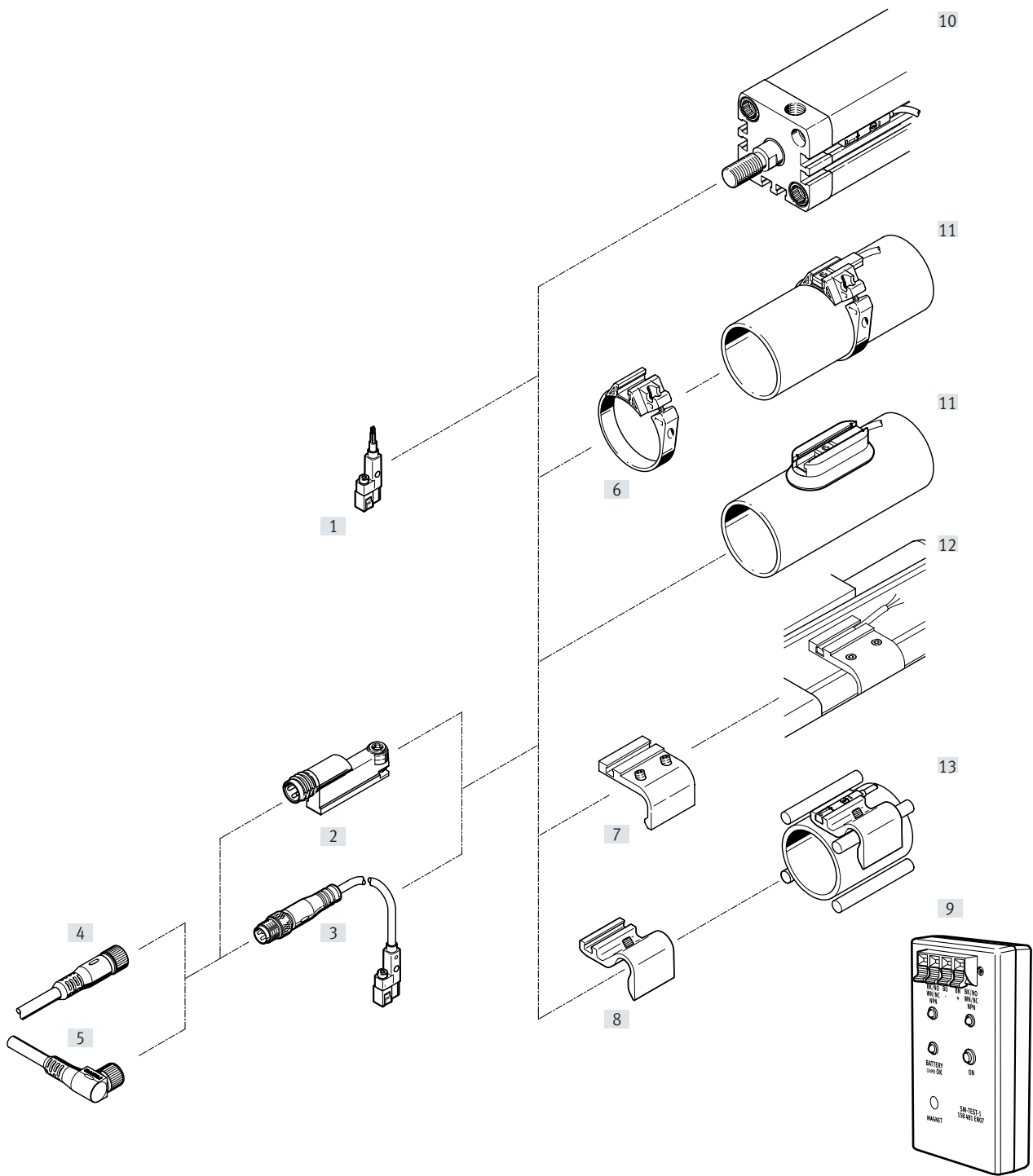
Suitable

Example: CDC



Not suitable

Peripherals overview



Peripherals overview

Mounting components and accessories		→ Page	Mounting components and accessories		→ Page
Proximity switches			Mounting kits and accessories		
[1]	SMT-8G-...-OE, with cable	11	[6]	Mounting kit SMBR	14
[2]	SMT-8-SL-..., with plug	7	[7]	Mounting kit SMB-8-FENG	14
[3]	SMT-8G-...-M..., with cable and plug	11	[8]	Sensor bracket DASP-M4-...	15
			[9]	Sensor tester SM-TEST-1	16
			-	Positioning element SMM-8	15
			-	Clip SMBK-8	16
			-	Inscription label ASLR	16
			-	Safety clip NEAU	16
			Drives		
Connecting cables			[10]	Drives with T-slot	-
[4]	NEBU-M...G...	16	[11]	Round cylinder	-
[5]	NEBU-M...W...	16	[12]	Standards-based cylinder DSBC	-
			[13]	Drives with tie or mounting rod	-

Type codes

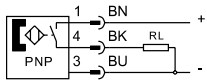
001	Series	
SMT	Proximity sensor	
002	Design type	
8	For T-slot	
003	Sensor version	
G	Inserted in the slot lengthwise, optimised for gripper sensing	
SL	Inserted in the slot lengthwise, sturdy due to long guides	
004	Switching output	
NS	3-wire NPN N/O contact	
PS	3-wire PNP N/O contact	
005	Display	
	None	
L	LED	
006	Rated operating voltage	
24	24 V DC	
24V	24 V	

007	Cable characteristic	
	None	
E	Suitable for energy chains/robot applications	
008	Cable length [m]	
0.3	0.3	
2.5	2.5	
009	Cable outlet	
Q	Transverse	
010	Electrical connection	
OE	Open end	
M8D	Cable with M8x1 plug, 3-pin, rotatable thread	
011	Generation	
	None	
B	Series B	

Data sheet – Magneto-resistive

Function

PNP, N/O contact, with plug



- Magneto-resistive measuring principle
- Inserted in the slot lengthwise

SMT-8-SL

- Sturdy thanks to long guides
- Plug directly on the sensor



General technical data	
Type	SMT-8-SL
Switching output	PNP
Design	For T-slot
Conforms to standard	–
Based on standard	EN 60947-5-2
Certification	RCM compliance mark c UL us listed (OL)
CE marking (see declaration of conformity)	To EU EMC Directive To EU RoHS Directive
UKCA marking (see declaration of conformity) ¹⁾	To UK instructions for EMC To UK RoHS instructions
Certificate-issuing authority	UL E232949
Application information	Support / Actuator-sensor overview “The right sensor for the actuator”
Note on materials	RoHS-compliant
PWIS conformity	VDMA24364-B2-L

1) For information about the area of use, see the declaration of conformity at: www.festo.com/catalogue/... → Support/Downloads.

If the devices are subject to usage restrictions in residential, commercial or light-industrial environments, further measures for the reduction of the emitted interference may be necessary.

Input signal/measuring element	
	SMT-8-SL
Measuring principle	Magneto-resistive
Ambient temperature	[°C] –20 ... +70

Switching output	
Type	SMT-8-SL
Switching output	PNP
Switching output	PNP
Switching element function	N/O contact
Reproducibility of switching value	[mm] –
Switch-on time	[ms] ≤ 1
Switch-off time	[ms] 3 ... 5
Max. switching frequency	[Hz] 140
Max. output current	[mA] 100
Max. switching capacity DC	[W] 3
Voltage drop	[V] ≤ 2
Off-state current	[µA] ≤ 1.5

Output, additional data	
Type	SMT-8-SL
Switching output	PNP
Short circuit current rating	Yes
Overload protection	Provided

Data sheet – Magneto-resistive

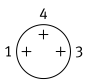
Electronics		
Type		SMT-8-SL
Switching output		PNP
Rated operating voltage	[V DC]	24
Operating voltage range	[V DC]	10 ... 30
Reverse polarity protection		For all electrical connections

Electromechanics		
Type		SMT-8-SL
Switching output		PNP
Electrical connection		
Connection type		Plug
Connection technology		M8x1, A-coded to EN 61076-2-104
Number of pins/wires		3
Outlet direction of connection		In-line
Cable length	[m]	–
Information on materials: Cable sheath		–

Mechanics		
Type		SMT-8-SL
Switching output		PNP
Electrical connection		Plug M8x1, 3-pin
Type of mounting		
		Screw-clamped
		Inserted in the slot lengthwise
Information on materials: Housing		PA
		–

Display/operation		
Switching status indication		Yellow LED

Immission/emission		
Type		SMT-8-SL
Ambient temperature with flexible cable installation	[°C]	–
Degree of protection		
		IP65
		IP68
		–
Insulation voltage	[V]	–
Pollution degree		–

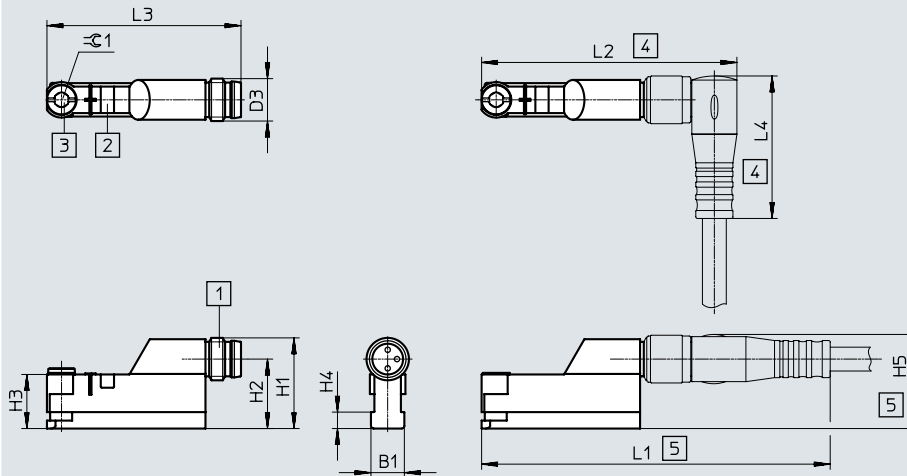
Pin allocation to EN 60947-5-2			
PS/NS			
Plug, 3-pin			
M8x1	Pin	Wire colour	Allocation
	1	Brown	+
	3	Blue	–
	4	Black	Output

Data sheet – Magneto-resistive

Dimensions

Download CAD data → www.festo.com

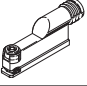
SMT-8-SL



- [1] Plug to fit connecting cable NEBU-M8
- [2] Yellow light emitting diode
- [3] Clamping element
- [4] Installation space for connecting cable NEBU-M8W3
- [5] Installation space for connecting cable NEBU-M8G3

Type	B1	B2	D1	D3	H1	H2	H3	H4	H5	L1	L2	L3	L4
SMT-8-SL	6.7	–	–	M8x1	17.1	13.1	10.2	3.1	17.6	66	48.4	36.6	25

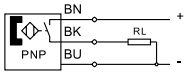
Data sheet – Magneto-resistive

Ordering data							
	Switching output	Electrical connection			Cable length [m]	Part no.	Type
		Cable	Cable with plug M8x1	Plug M8x1			
N/O contact, basic version							
	PNP	–	–	3-pin	–	562019	SMT-8-SL-PS-LED-24-B

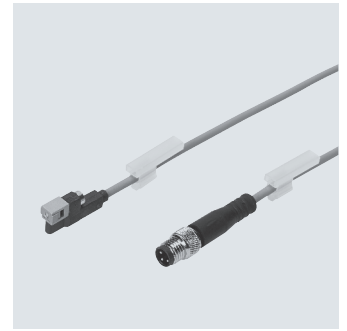
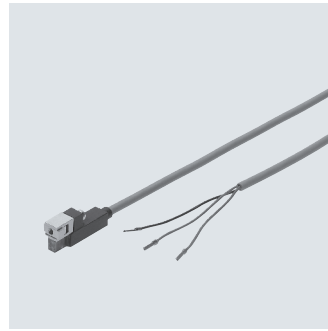
Data sheet – Magneto-resistive

Function

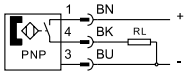
PNP, N/O contact, with cable, 3-wire



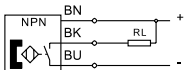
- Magneto-resistive measuring principle
- Inserted in the slot lengthwise
- Design ideal for gripper sensing



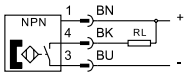
PNP, N/O contact, with plug



NPN, N/O contact, with cable, 3-wire



NPN, N/O contact, with plug



General technical data	SMT-8G-...-OE	SMT-8G-...-M8D
Design	For T-slot	
Mounting position	Any	
Based on standard	EN 60947-5-2	
Certification	RCM compliance mark c UL us listed (OL)	
CE marking (see declaration of conformity)	To EU EMC Directive To EU RoHS Directive	
KC marking	KC EMC	
UKCA marking (see declaration of conformity) ¹⁾	To UK instructions for EMC To UK RoHS instructions	
Certificate-issuing authority	UL E232949	
Application information	Support / Actuator-sensor overview "The right sensor for the actuator"	
Suitable for the production of lithium-ion batteries	Metals with more than 1% by mass of copper, zinc or nickel are excluded from use. Exceptions are nickel in steel, chemically nickel-plated surfaces, printed circuit boards, cables, electrical plug connectors and coils	–
Cleanroom class	Class 4 to ISO 14644-1	–
Note on materials	RoHS-compliant	
PWIS conformity	VDMA24364-B2-L	

1) For information about the area of use, see the declaration of conformity at: www.festo.com/catalogue/... → Support/Downloads.

If the devices are subject to usage restrictions in residential, commercial or light-industrial environments, further measures for the reduction of the emitted interference may be necessary.

Input signal/measuring element	
Measured variable	Position
Measuring principle	Magneto-resistive
Ambient temperature	[°C] –20 ... +70

Data sheet – Magneto-resistive

Switching output		PNP	NPN
Switching element function		N/O contact	
Voltage drop	[V]	≤ 2	
Inductive protective circuit		Adapted to MZ, MY, ME coils	
Max. output current	[mA]	100	
Residual current	[mA]	≤ 0.01	
Switch-on time	[ms]	≤ 1	
Switch-off time	[ms]	≤ 1	
Repetition accuracy	[mm]	0.2	
Max. switching frequency	[Hz]	150	
Max. switching capacity DC	[W]	2.8	

Output, additional data	
Short circuit current rating	Yes
Overload protection	Provided

Electronics		
Operating voltage range	[V DC]	10 ... 30
Rated operating voltage	[V DC]	24
Residual ripple	[%]	10
Reverse polarity protection	For all electrical connections	

Electromechanics		
Type	SMT-8G-...-OE	SMT-8G-...-M8D
Electrical connection		
Connection type	Cable	Cable with plug
Connection technology	Open end	M8x1, A-coded to EN 61076-2-104
Number of pins/wires	3	3
Type of mounting	–	Screw-type lock
Outlet direction of connection	Lateral	
Cable test conditions	Cable chain: 5 million cycles, bending radius 28 mm	
	Torsional resistance: > 300,000 cycles, ±270°/0.1 m	
	Resistance to bending: to Festo standard; test conditions on request	
Cable length	[m]	2.5
Cable characteristic	Suitable for energy chains and robot applications	
Material of cable sheath	TPE-U(PU)	
Cable sheath colour	Grey	
Material of pin contacts	–	Gold-plated brass
Wire ends	Wire end sleeve	–

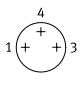
Mechanics		
Type of mounting	SMT-8G-...-OE	SMT-8G-...-M8D
Type of mounting	Clamped in C-slot	
	Insertable in the slot lengthwise	
Max. tightening torque	[Nm]	0.8
Housing material	Aluminium, high-alloy stainless steel, reinforced PA	
Housing colour	Black	
Union nut material	–	Nickel-plated brass
Product weight	[g]	30
		10

Display/operation	
Switching status indication	Yellow LED

Immission/emission	
Ambient temperature with flexible cable installation	[°C]
	–5 ... +70
Degree of protection	IP65
	IP68

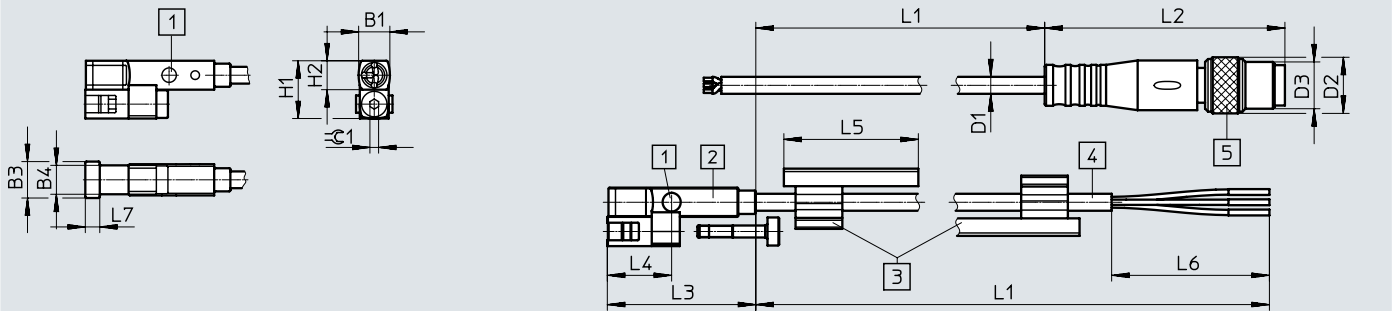
Data sheet – Magneto-resistive

Pin allocation to EN 60947-5-2

PS Plug, 3-pin M8x1	Pin	Wire colour	Allocation
	1	Brown	+
	3	Blue	-
	4	Black	Output

Dimensions

Download CAD data → www.festo.com




[1] 2x LED
[2] SMT-8G
[3] Inscription label in a separate bag
[4] Connecting cable
[5] Plug M8x1
L1 Cable length

	B1	B2	B3	B4	D1 ∅	D2 ∅	D3	H1	H2	L1	L2 ±0.4	L3 ±0.3	L4	L5	L6 +5	L7	≅ 1
SMT-8G-PS-...-OE	5.4	5	6.3	5	2.9	-	-	10	5	2500 + 70	-	25	10.8	23	50	2.5	1.5
SMT-8G-PS-...-M8D						9.6	M8x1			300 + 30	41.1				-		
SMT-8G-NS-...-OE						-	-			2500 + 70	-				50		
SMT-8G-NS-...-M8D						9.6	M8x1			300 + 30	41.1				-		

Ordering data

Switching output	Electrical connection	Cable length	Part no.	Type
	Cable			
	Cable with plug, rotatable thread M8x1	[m]		

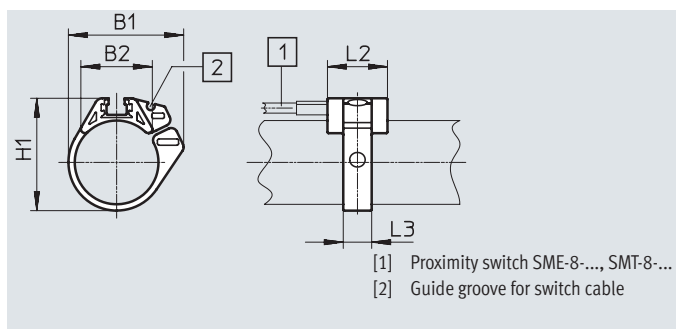
N/O contact

	PNP	3-wire	-	2.5	547859	SMT-8G-PS-24V-E-2.5Q-OE
		-	3-pin	0.3	547860	SMT-8G-PS-24V-E-0.3Q-M8D
	NPN	3-wire	-	2.5	8065028	SMT-8G-NS-24V-E-2.5Q-OE
		-	3-pin	0.3	8065027	SMT-8G-NS-24V-E-0.3Q-M8D

Accessories

Mounting kit SMBR

Material:
Polyacetal
RoHS-compliant

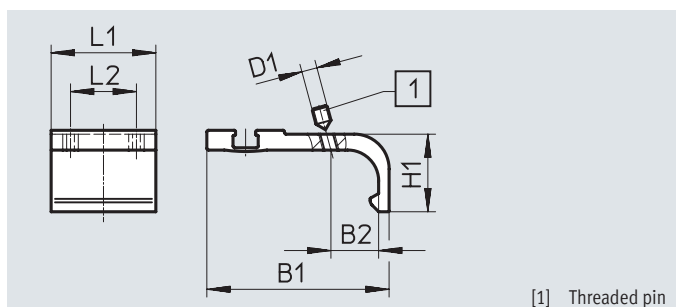


Dimensions and ordering data

For piston \varnothing	B1	B2	H1	L2	L3	Part no.	Type
8	18.9	12.3	17.5	19	7	175091	SMBR-8-8
10	20.4	13.7	19.9	19	7	175092	SMBR-8-10
12	22.7	14.3	21.9	19	7	★ 175093	SMBR-8-12
16	28.2	16.9	25.7	19	8	★ 175094	SMBR-8-16
20	34.5	20.8	30.4	19	9	★ 175095	SMBR-8-20
25	36.7	22.7	35.6	19	9	★ 175096	SMBR-8-25
32	41.7	24.6	42.7	19	9	175097	SMBR-8-32
40	47.1	26.5	50.7	19	9	175098	SMBR-8-40
50	56.4	28.6	61.5	19	9	175099	SMBR-8-50
63	69.4	32	74.5	19	9	175100	SMBR-8-63

Mounting kit SMB-8-FENG

Material:
Wrought aluminium alloy
Free of copper and PTFE



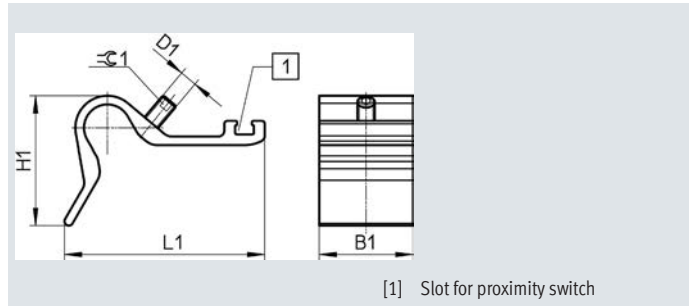
Dimensions and ordering data

For piston \varnothing	B1	B2	D1	H1	L1	L2	Tightening torque [Nm]	Part no.	Type
32/40	35.1	8.7	M3	15.5	27	17	0.2	175705	SMB-8-FENG-32/40
50/63	47	12.3	M4	20	27	17	0.5	175706	SMB-8-FENG-50/63
80/100	64.3	15.7	M5	24.3	27	17	0.7	175707	SMB-8-FENG-80/100

Accessories

Sensor bracket DASP-M4-...-A

Material:
Anodised wrought aluminium alloy
Screws: High-alloy stainless steel
RoHS-compliant



[1] Slot for proximity switch

Dimensions and ordering data										
Type	B1	D1	H1	L1	$\ominus 1$	Tightening torque [Nm]	CRC ¹⁾	Weight [g]	Part no.	Type
DASP-M4-125-A	32.5	M5	28	45.4	2.5	1	3	26.5	1451483	DASP-M4-125-A
DASP-M4-160-A	32.5	M6	44.7	69.4	3	1	3	41.5	1553813	DASP-M4-160-A
DASP-M4-250-A	32.5	M6	56.3	88	3	1	3	60	1456781	DASP-M4-250-A
DASP-M4-320-A	32.5	M6	56.3	88	3	1	3	60	3015256	DASP-M4-320-A

1) Corrosion resistance class CRC 3 to Festo standard FN 940070

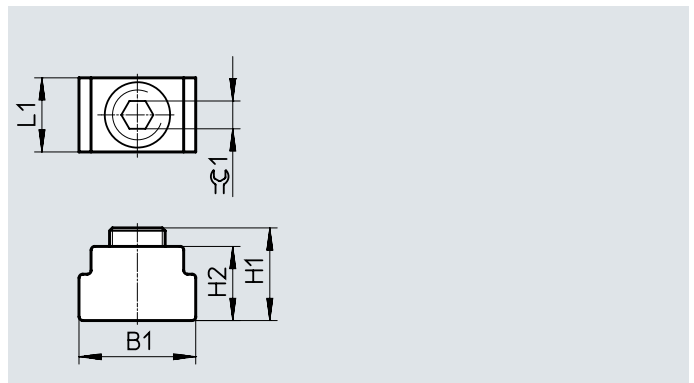
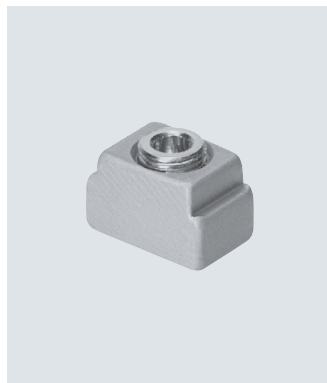
High corrosion stress. Outdoor exposure under moderate corrosive conditions. Externally visible parts with primarily functional surface requirements which are in direct contact with a normal industrial environment.

Positioning element SMM

Inserted in the slot lengthwise

Ambient temperature: $-40 \dots +120^{\circ}\text{C}$

Materials:
Housing: Anodised wrought aluminium alloy
Screws: High-alloy stainless steel
Note on materials: RoHS-compliant







Dimensions and ordering data									
B1	H1	H2	L1	$\ominus 1$	CRC ¹⁾	Part no.	Type	PU ²⁾	
6.3	5.0	4.0	4.0	1.5	3	547941	SMM-8	10	


1) Corrosion resistance class CRC 3 to Festo standard FN 940070

High corrosion stress. Outdoor exposure under moderate corrosive conditions. Externally visible parts with primarily functional surface requirements which are in direct contact with a normal industrial environment.

2) Packaging unit


Accessories

Ordering data – Connecting cables		Number of wires	Cable length [m]	Part no.	Type	Data sheets → Internet: nebu
Socket M8x1, 3-pin						
	For SMT/SME-8... and SMT0/SMTSO/SME0-8E	3	2.5	★ 541333	NEBU-M8G3-K-2.5-LE3	
			5	★ 541334	NEBU-M8G3-K-5-LE3	
	For SMT/SME-8... and SMT0/SMTSO/SME0-8E	3	2.5	★ 541338	NEBU-M8W3-K-2.5-LE3	
			5	★ 541341	NEBU-M8W3-K-5-LE3	
Socket M12x1, 5-pin						
	For SMT/SME-8M and SMT0/SMTSO/SME0-8E	3	2.5	★ 541363	NEBU-M12G5-K-2.5-LE3	
			5	★ 541364	NEBU-M12G5-K-5-LE3	
	For SMT/SME-8M and SMT0/SMTSO/SME0-8E	3	2.5	541367	NEBU-M12W5-K-2.5-LE3	
			5	541370	NEBU-M12W5-K-5-LE3	

Ordering data – Safety clip for ATEX zone					
	Size	Description	Part no.	Type	PU ¹⁾
	M8	<ul style="list-style-type: none"> Protects "equipment that is not intrinsically safe" in zones 2 and 22 against simple disconnection ATEX category: gas: II 3G / dust: II 3D 	548067	NEAU-M8-GD	1
	M12		548068	NEAU-M12-GD	1

1) Packaging unit

Ordering data – Mounting components			
	Description	Part no.	Type
	For fixing connecting cables in place	534254	SMBK-8

Ordering data – Sensor tester			
	Description	Part no.	Type
	<ul style="list-style-type: none"> Testing the functionality of proximity switches using the integrated voltage supply Adjusting proximity switches on the cylinder 	158481	SM-TEST-1

Ordering data – Inscription labels				
	Size	Part no.	Type	PU ¹⁾
	23x4 mm	541598	ASLR-L-423	34

1) Packaging unit

Festo - Your Partner in Automation



1 Festo Inc.
5300 Explorer Drive
Mississauga, ON L4W 5G4
Canada

Festo Customer Interaction Center
Tel: 1 877 463 3786
Fax: 1 877 393 3786
Email: customer.service.ca@festo.com



2 Festo Pneumatic
Av. Ceylán 3,
Col. Tequesquináhuac
54020 Tlalneantla,
Estado de México

Multinational Contact Center
01 800 337 8669
ventas.mexico@festo.com



3 Festo Corporation
1377 Motor Parkway
Suite 310
Islandia, NY 11749

Festo Customer Interaction Center
1 800 993 3786
1 800 963 3786
customer.service.us@festo.com



4 Regional Service Center
7777 Columbia Road
Mason, OH 45040

Connect with us



www.festo.com/socialmedia



www.festo.com

Subject to change