

## **Plug Sockets with Cable SIM**

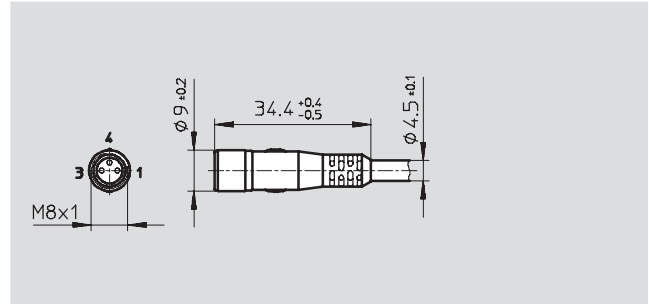
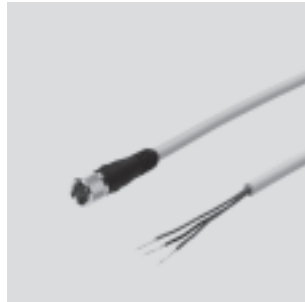


# Plug sockets with cable SIM

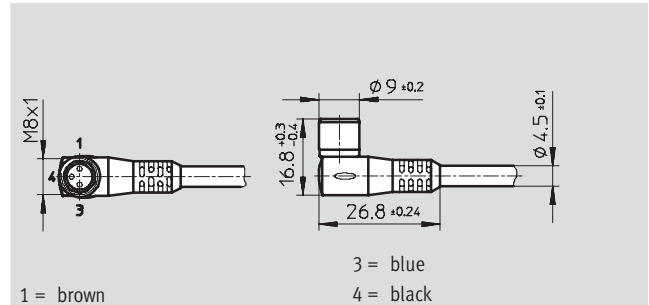
Technical data – M8, 3-pin

FESTO

## SIM-M8-3GD-...-PU



## SIM-M8-3WD-...-PU



General technical data		SIM-M8-3...-2,5-PU	SIM-M8-3...-5-PU	SIM-M8-3...-10-PU
<b>Electrical data</b>				
Electrical connection		Straight or angled socket, M8x1, 3-pin		
Current-carrying capacity	[A]	2.8		
Operating voltage range	AC [V]	≤45		
	DC [V]	≤70		
Protection class		IP65/IP67		
<b>Design</b>				
Cable length	[m]	2.5	5	10
Cable composition	[mm <sup>2</sup> ]	3x 0.25		
Wire ends		Tin-coated		
<b>Ambient temperature</b>				
Fixed cable installation	[°C]	-40 ... +70		
Flexible cable installation	[°C]	-5 ... +70		
<b>Materials</b>				
Cable sheath		Polyurethane		

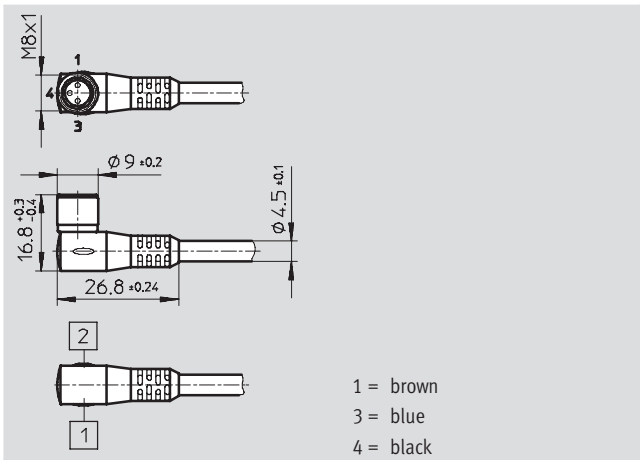
Ordering data		Part No.	Type	Part No.	Type
Connection direction		In-line		Lateral	
Cable length [m]	2.5	159 420	SIM-M8-3GD-2,5-PU	159 422	SIM-M8-3WD-2,5-PU
	5	159 421	SIM-M8-3GD-5-PU	159 423	SIM-M8-3WD-5-PU
	10	192 964	SIM-M8-3GD-10-PU	192 965	SIM-M8-3WD-10-PU

# Plug sockets with cable SIM

Technical data – M8, 3-pin with switching status display

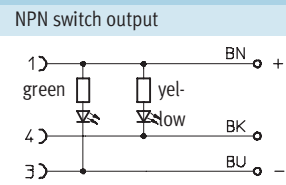
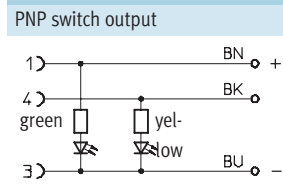
SIM-M8-3WD-...-PSL-PU  
SIM-M8-3WD-...-NSL-PU

- Ready status display and switching status display with LED



General technical data			
		SIM-M8-3WD-2,5-...-PU	SIM-M8-3WD-5-...-PU
<b>Electrical data</b>			
Switch output	PNP or NPN		
Electrical connection	Angled socket, M8x1, 3-pin		
Current-carrying capacity	[A]	2.8	
Operating voltage range	AC	[V]	≤45
	DC	[V]	≤70
Protection class	IP65/IP67		
<b>Design</b>			
Cable length	[m]	2.5	5
Cable composition	[mm <sup>2</sup> ]	3x 0.25	
Wire ends	Tin-coated		
Ready status display	LED green		
Switching status display	LED yellow		
<b>Ambient temperature</b>			
Fixed cable installation	[°C]	-40 ... +70	
Flexible cable installation	[°C]	-5 ... +70	
<b>Materials</b>			
Cable sheath	Polyurethane		

## Circuit diagram and pin allocation

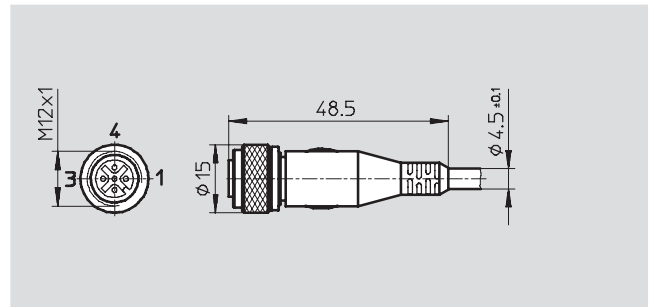
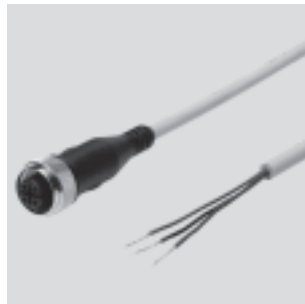


Ordering data					
		Part No.	Type	Part No.	Type
Switch output			PNP	NPN	
Cable length [m]	2.5	159 424	SIM-M8-3WD-2,5-PSL-PU	159 426	SIM-M8-3WD-2,5-NSL-PU
	5	159 425	SIM-M8-3WD-5-PSL-PU	159 427	SIM-M8-3WD-5-NSL-PU

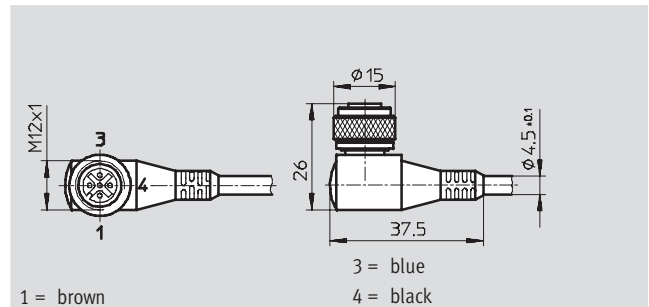
# Plug sockets with cable SIM

Technical data – M12, 3-pin

## SIM-M12-3GD-...-PU



## SIM-M12-3WD-...-PU



General technical data		
	SIM-M12-3...-2,5-PU	SIM-M12-3...-5-PU
<b>Electrical data</b>		
Electrical connection	Straight or angled socket, M12x1, 3-pin	
Current-carrying capacity	[A]	4
Operating voltage range	AC [V]	≤250
	DC [V]	≤300
Protection class	IP65/IP67	
<b>Design</b>		
Cable length	[m]	2.5
Cable composition	[mm <sup>2</sup> ]	3x 0.25
Wire ends	Tin-coated	
<b>Ambient temperature</b>		
Fixed cable installation	[°C]	-40 ... +70
Flexible cable installation	[°C]	-5 ... +70
<b>Materials</b>		
Cable sheath	Polyurethane	

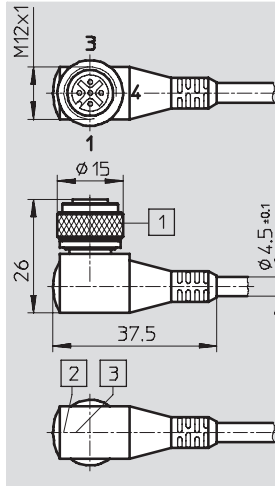
Ordering data				
	Part No.	Type	Part No.	Type
Connection direction	In-line		Lateral	
Cable length [m]	2.5	159 428 SIM-M12-3GD-2,5-PU	159 430	SIM-M12-3WD-2,5-PU
	5	159 429 SIM-M12-3GD-5-PU	159 431	SIM-M12-3WD-5-PU

# Plug sockets with cable SIM

Technical data – M12, 3-pin with switching status display

SIM-M12-3WD-...-PSL-PU  
SIM-M12-3WD-...-NSL-PU

- Ready status display and switching status display with LED

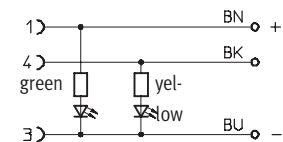


1 = brown  
3 = blue  
4 = black

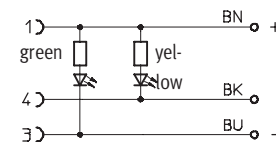
General technical data			
		SIM-M12-3WD-2,5-...-PU	SIM-M12-3WD-5-...-PU
<b>Electrical data</b>			
Switch output		PNP or NPN	
Electrical connection		Angled socket, M12x1, 3-pin	
Current-carrying capacity	[A]	4	
Operating voltage range	DC [V]	10 ... 30	
Protection class		IP65/IP67	
<b>Design</b>			
Cable length	[m]	2.5	5
Cable composition	[mm <sup>2</sup> ]	3x 0.25	
Wire ends		Tin-coated	
Ready status display		LED green	
Switching status display		LED yellow	
<b>Ambient temperature</b>			
Fixed cable installation	[°C]	-40 ... +70	
Flexible cable installation	[°C]	-5 ... +70	
<b>Materials</b>			
Cable sheath		Polyurethane	

## Circuit diagram and pin allocation

PNP switch output



NPN switch output



## Ordering data

		Part No.	Type	Part No.	Type
Switch output			PNP		NPN
Cable length [m]	2.5	159 432	SIM-M12-3WD-2,5-PSL-PU	159 434	SIM-M12-3WD-2,5-NSL-PU
	5	159 433	SIM-M12-3WD-5-PSL-PU	159 435	SIM-M12-3WD-5-NSL-PU

# Product Range and Company Overview

## A Complete Suite of Automation Services

Our experienced engineers provide complete support at every stage of your development process, including: conceptualization, analysis, engineering, design, assembly, documentation, validation, and production.



**Custom Automation Components**  
Complete custom engineered solutions



**Custom Control Cabinets**  
Comprehensive engineering support and on-site services



**Complete Systems**  
Shipment, stocking and storage services

## The Broadest Range of Automation Components

With a comprehensive line of more than 30,000 automation components, Festo is capable of solving the most complex automation requirements.



**Electromechanical**  
Electromechanical actuators, motors, controllers & drives



**Pneumatics**  
Pneumatic linear and rotary actuators, valves, and air supply



**PLCs and I/O Devices**  
PLC's, operator interfaces, sensors and I/O devices

## Supporting Advanced Automation... As No One Else Can!

Festo is a leading global manufacturer of pneumatic and electromechanical systems, components and controls for industrial automation, with more than 12,000 employees in 56 national headquarters serving more than 180 countries. For more than 80 years, Festo has continuously elevated the state of manufacturing with innovations and optimized motion control solutions that deliver higher performing, more profitable automated manufacturing and processing equipment. Our dedication to the advancement of automation extends beyond technology to the education and development of current and future automation and robotics designers with simulation tools, teaching programs, and on-site services.

## Quality Assurance, ISO 9001 and ISO 14001 Certifications

Festo Corporation is committed to supply all Festo products and services that will meet or exceed our customers' requirements in product quality, delivery, customer service and satisfaction.

To meet this commitment, we strive to ensure a consistent, integrated, and systematic approach to management that will meet or exceed the requirements of the ISO 9001 standard for Quality Management and the ISO 14001 standard for Environmental Management.



© Copyright 2008, Festo Corporation. While every effort is made to ensure that all dimensions and specifications are correct, Festo cannot guarantee that publications are completely free of any error, in particular typing or printing errors. Accordingly, Festo cannot be held responsible for the same. For Liability and Warranty conditions, refer to our "Terms and Conditions of Sale", available from your local Festo office. All rights reserved. No part of this publication may be reproduced, distributed, or transmitted in any form or by any means, electronic, mechanical, photocopying or otherwise, without the prior written permission of Festo. All technical data subject to change according to technical update.



Printed on recycled paper at New Horizon Graphic, Inc., FSC certified as an environmentally friendly printing plant.

# Festo North America

## United States

**Customer Resource Center**  
502 Earth City Expy., Suite 125  
Earth City, MO 63045

For ordering assistance, or to find  
your nearest Festo Distributor,

**Call:** 1.800.99.FESTO  
**Fax:** 1.800.96.FESTO  
**Email:** customer.service@us.festo.com

For technical support,

**Call:** 1.866.GO.FESTO  
**Fax:** 1.800.96.FESTO  
**Email:** product.support@us.festo.com

### Headquarters

Festo Corporation  
395 Moreland Road  
P.O. Box 18023  
Hauppauge, NY 11788  
[www.festo.com/us](http://www.festo.com/us)

---

### Sales Offices

#### Appleton

N. 922 Tower View Drive, Suite N  
Greenville, WI 54942

#### Boston

120 Presidential Way, Suite 330  
Woburn, MA 01801

#### Chicago

1441 East Business Center Drive  
Mt. Prospect, IL 60056

#### Dallas

1825 Lakeway Drive, Suite 600  
Lewisville, TX 75057

**Detroit - Automotive Engineering Center**  
2601 Cambridge Court, Suite 320  
Auburn Hills, MI 48326

#### New York

395 Moreland Road  
Hauppauge, NY 11788

#### Silicon Valley

4935 Southfront Road, Suite F  
Livermore, CA 94550

## Design and Manufacturing Operations



**East:** 395 Moreland Road, Hauppauge, NY 11788



**Central:** 1441 East Business Center Drive, Mt. Prospect, IL 60056



**West:** 4935 Southfront Road, Suite F, Livermore, CA 94550

---

## Mexico

### Headquarters

Festo Pneumatic, S.A.  
Av. Ceylán 3, Col. Tequesquahuac  
54020 Tlalnepantla, Edo. de México  
**Call:** 011 52 [55] 53 21 66 00  
**Fax:** 011 52 [55] 53 21 66 65  
**Email:** festo.mexico@mx.festo.com  
[www.festo.com/mx](http://www.festo.com/mx)



---

## Canada

### Headquarters

Festo Inc.  
5300 Explorer Drive  
Mississauga, Ontario L4W 5G4  
**Call:** 1.905.624.9000  
**Fax:** 1.905.624.9001  
**Email:** info.ca@ca.festo.com  
[www.festo.com/ca](http://www.festo.com/ca)



---

## Festo Worldwide

Argentina Australia Austria Belarus Belgium Brazil Bulgaria Canada Chile China Colombia Croatia Czech Republic Denmark  
Estonia Finland France Germany Great Britain Greece Hong Kong Hungary India Indonesia Iran Ireland Israel Italy Japan  
Latvia Lithuania Malaysia Mexico Netherlands New Zealand Norway Peru Philippines Poland Romania Russia Serbia Singapore  
Slovakia Slovenia South Africa South Korea Spain Sweden Switzerland Taiwan Thailand Turkey Ukraine United States Venezuela

[www.festo.com](http://www.festo.com)