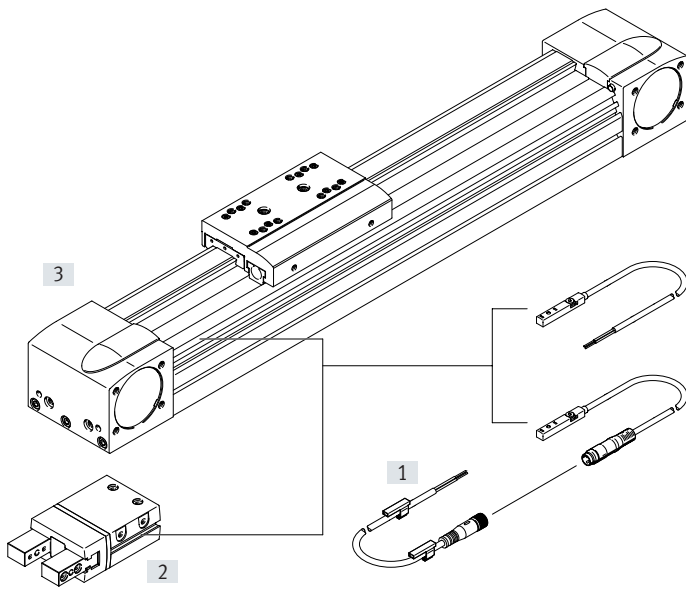


Proximity switches SIES-8M, inductive for T-slot

FESTO



Peripherals overview and type codes



Mounting components and accessories		→ Page/Internet
[1]	Connecting cable NEBU-M8...3	7
[2]	Gripper with T-slot e.g. parallel gripper DHPS	gripper
[3]	Electric axis EGC	egc

001	Series	
SIE	Proximity switch, inductive	

002	Design type	
S	Special design	

003	Design	
8M	For T-slot	

004	Switching input/output	
N	NPN	
P	PNP	

005	Switching element function	
O	N/C contact	
S	N/O contact	

006	Rated operating voltage	
24V	24 V	

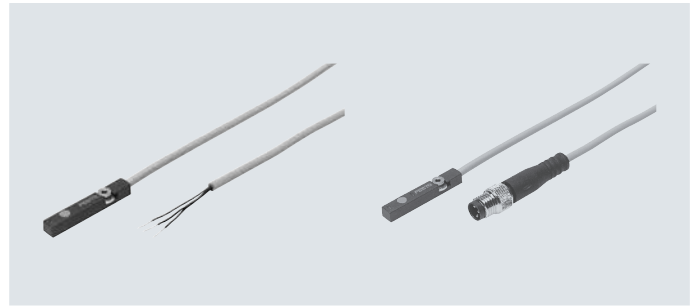
007	Cable characteristic	
K	Standard/suitable for energy chains	

008	Cable length [m]	
0.3	0.3	
2.5	2.5	
5	5	
7.5	7.5	
10	10	

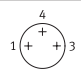
009	Electrical connection	
OE	Open end	
M8D	Cable with M8x1 plug, 3-pin, rotatable thread	

Data sheet

- Inductive proximity switch for T-slot, insertable from above
- Suitable for position sensing for electric axes EGC and grippers with T-slot
- 2 LEDs for improved visibility regardless of the side from which the axis is approaching the sensor



General technical data	SIES-8M-...-OE	SIES-8M-...-M8D
Design	For T-slot	
Size	Slot 8	
Measured variable	Position	
Measuring principle	Inductive	
Type of mounting	Screw-clamped, inserted in the slot from above, flush with T-slot	
Outlet direction of connection	In-line	
Conforms to standard	EN 60947-5-2	
Suitable for the production of lithium-ion batteries	Metals with more than 1% copper, zinc or nickel by mass are excluded from use. Exceptions are nickel in steel, chemically nickel-plated surfaces, printed circuit boards, cables, electrical plug connectors and coils	–
Cleanroom class	Class 4 to ISO 14644-1	
Cable characteristic	Standard + cable chain	
Cable test conditions	Energy chain: 5 million cycles, bending radius 75 mm Resistance to bending: to Festo standard; test conditions on request	
Pollution degree	3	

Electrical data	SIES-8M-...-OE	SIES-8M-...-M8D
Switching output	PNP NPN	
Switching element function	N/C contact N/O contact	
Max. switching frequency [Hz]	4500	
Switching status indication	Yellow LED	
Electrical connection 1		
Connection type	Cable	Cable with plug
Connection technology	Open end	M8x1, A-coded to EN 61076-2-104
Poles/wires	3	
Type of mounting	–	Screw-type lock
Port pattern	–	
Operating voltage range DC [V]	10 ... 30	
Insulation voltage [V]	50	
Max. output current [mA]	150	
Surge resistance [kV]	0.8	
No-load supply current [mA]	≤ 10	
Short circuit current rating	Pulsed	
Reverse polarity protection	For all electrical connections	
Degree of protection	IP65 IP67	

Data sheet

Sensors		
Rated operating distance S_n	[mm]	1.5
Repetition accuracy under constant conditions	[mm]	≤ 0.05 approach from the side
		≤ 0.02 axial approach
Reduction factors		Aluminium = 0.62
		Stainless steel V2A = 0.95
		Copper = 0.6
		Brass = 0.72
		Steel St 37 = 1.0

Operating and environmental conditions		
Ambient temperature	[°C]	-25 ... +70
Ambient temperature with flexible cable installation	[°C]	-5 ... +70
CE marking (see declaration of conformity) ¹⁾		To EU EMC Directive
		To EU RoHS Directive
KC mark		KC EMC
Certification		RCM compliance mark
		c UL us listed (OL)

- 1) For information about the area of use, see the EC declaration of conformity at: www.festo.com/sp → Certificates.
If the devices are subject to usage restrictions in residential, commercial or light-industrial environments, further measures for the reduction of the emitted interference may be necessary.

Materials	SIES-8M-...-OE	SIES-8M-...-M8D
	Housing	– PA PUR High-alloy stainless steel
Cable sheath	TPE-U(PU)	
Note on materials	RoHS-compliant	
PWIS conformity	VDMA24364-B2-L	

Data sheet

Terminal allocation

Cable		Plug	
PNP, N/O	NPN, N/O	PNP, N/O	NPN, N/O
PNP, N/C	NPN, N/C	PNP, N/C	NPN, N/C

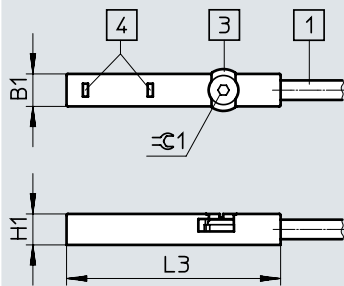
Wire colours

BN = Brown BK = Black BU = Blue

Dimensions

Download CAD data → www.festo.com

SIES-8M-...-OE



- [1] 3-wire cable (3x0.14 mm²)
- [3] Clamping element, max. tightening torque 0.6 Nm
- [4] Yellow LED for switching status

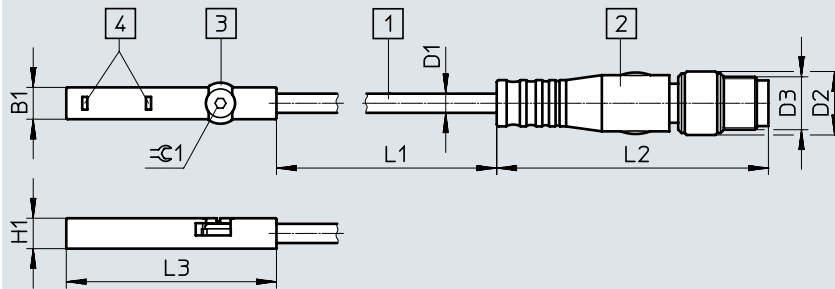
	B1	H1	L3	≈ 1
SIES-8M-...-24V-K7.5-OE	5	4.6	31.8	1.5

Data sheet

Dimensions

Download CAD data → www.festo.com

SIES-8M-...-M8D




- [1] 3-wire cable (3x0.14 mm²)
- [2] 3-pin plug, pin allocation to DIN EN 60947-5-2
- [3] Clamping element, max. tightening torque 0.3 Nm
- [4] Yellow LED for switching status

	B1	D1 ∅	D2 ∅	D3	H1	L1	L2	L3	±0.1
SIES-8M-...-0.3-M8D	5	2.9	9.6	M8x1	4.6	300 ⁺⁵⁰	41.1	31.8	1.5
SIES-8M-...-2.5-M8D						2500 ⁺⁵⁰			
SIES-8M-...-5.0-M8D						5000 ⁺⁵⁰			
SIES-8M-...-7.5-M8D						7500 ⁺⁷⁵			
SIES-8M-...-10-M8D						10000 ⁺¹⁰⁰			


Ordering data

Size	S _n ¹⁾ [mm]	Type of installation	Switching output	Switching element function	Cable length [m]	Part no.	Type
------	--------------------------------------	----------------------	------------------	----------------------------	------------------	----------	------

Cable

	1.5	Flush	PNP	N/O contact	7.5	551386	SIES-8M-PS-24V-K-7.5-OE
				N/C contact	7.5	551391	SIES-8M-PO-24V-K-7.5-OE
			NPN	N/O contact	7.5	551396	SIES-8M-NS-24V-K-7.5-OE
				N/C contact	7.5	551401	SIES-8M-NO-24V-K-7.5-OE

Cable with plug

	1.5	Flush	PNP	N/O contact	0.3	551387	SIES-8M-PS-24V-K-0.3-M8D
					2.5	551388	SIES-8M-PS-24V-K-2.5-M8D
					5.0	551389	SIES-8M-PS-24V-K-5.0-M8D
					10	551390	SIES-8M-PS-24V-K-10-M8D
				N/C contact	0.3	551392	SIES-8M-PO-24V-K-0.3-M8D
					2.5	551393	SIES-8M-PO-24V-K-2.5-M8D
					5.0	551394	SIES-8M-PO-24V-K-5.0-M8D
					10	551395	SIES-8M-PO-24V-K-10-M8D
			NPN	N/O contact	0.3	551397	SIES-8M-NS-24V-K-0.3-M8D
					2.5	551398	SIES-8M-NS-24V-K-2.5-M8D
					5.0	551399	SIES-8M-NS-24V-K-5.0-M8D
					10	551400	SIES-8M-NS-24V-K-10-M8D
				N/C contact	0.3	551402	SIES-8M-NO-24V-K-0.3-M8D
					2.5	551403	SIES-8M-NO-24V-K-2.5-M8D
					5.0	551404	SIES-8M-NO-24V-K-5.0-M8D
					10	551405	SIES-8M-NO-24V-K-10-M8D

1) S_n Rated operating distance [mm]

Accessories

Sensor bracket SIEZ-8M

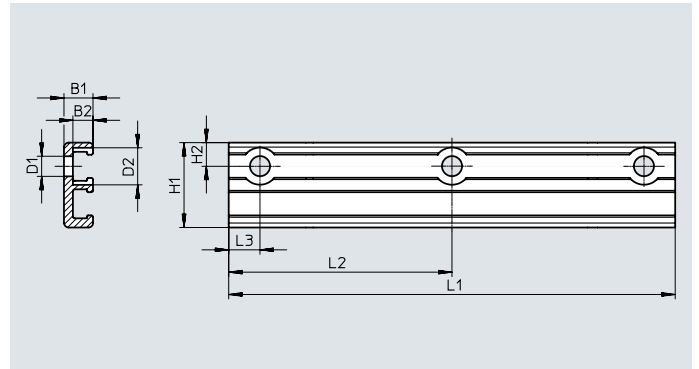
For mounting proximity switches
SIEZ-8M on any housing

Material:

Wrought aluminium alloy, steel,
thermoplastic polyurethane elastomer

Note on materials:

RoHS-compliant




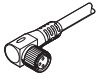
Dimensions and ordering data

Type	L1	L2	L3	D1 ∅	D2 ∅	H1	H2	B1	B2	Part no.	Type
SIEZ-8M-200	200	–	7	4.5	8.3	19	5.3	6.5	4.5	551406	SIEZ-8M-200
SIEZ-8M-400	400	200	7	4.5	8.3	19	5.3	6.5	4.5	551407	SIEZ-8M-400

Ordering data – Slot cover for T-slot

	Mounting	Length	Part no.	Type
	Insertable	2x 0.5 m	563360	ABP-5-S1

Ordering data – Connecting cables M8x1

	Electrical connection, left	Electrical connection, right	Cable length [m]	Part no.	Data sheets → Internet: nebu Type
	Straight socket, M8x1, 3-pin	Cable, open end, 3-wire	2.5	541333	NEBU-M8G3-K-2.5-LE3
			5	541334	NEBU-M8G3-K-5-LE3
			10	541332	NEBU-M8G3-K-10-LE3
	Angled socket, M8x1, 3-pin	Cable, open end, 3-wire	2.5	541338	NEBU-M8W3-K-2.5-LE3
			5	541341	NEBU-M8W3-K-5-LE3
			10	541335	NEBU-M8W3-K-10-LE3

Festo - Your Partner in Automation



1 Festo Inc.
5300 Explorer Drive
Mississauga, ON L4W 5G4
Canada

Festo Customer Interaction Center
Tel: 1 877 463 3786
Fax: 1 877 393 3786
Email: customer.service.ca@festo.com



2 Festo Pneumatic
Av. Ceylán 3,
Col. Tequesquináhuac
54020 Tlalnepantla,
Estado de México

Multinational Contact Center
01 800 337 8669
ventas.mexico@festo.com



3 Festo Corporation
1377 Motor Parkway
Suite 310
Islandia, NY 11749

Festo Customer Interaction Center
1 800 993 3786
1 800 963 3786
customer.service.us@festo.com



4 Regional Service Center
7777 Columbia Road
Mason, OH 45040

Connect with us



www.festo.com/socialmedia



www.festo.com

Subject to change