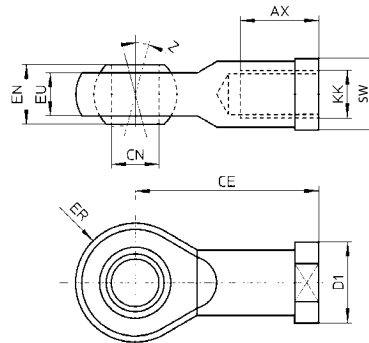


### Rod Eye, Inch Series Type SGS-...

A rod eye is used on a cylinder rod when a clevis or pivot mount is installed. The spherical bearing will allow a certain amount of misalignment of the attached part.

Material - Outer member: Low carbon steel with protective plating for corrosion resistance; Race: Bronze; Ball: Alloy steel, heat treated, chrome plated.

(Dimensions in inches)



Spherical bearing  
SW = wrench size

Order Number		CN H7	EN	ER	CE	AX	For Piston Rod Thread KK	SW	D1	EU	Z degrees	Static Radial Load	Weight (lb)
Part No.	Type												
532694	SGS-10-32	0.197	0.315	0.354	1.063	0.394	10-32 UNF	0.354	0.433	0.236	13	1,850 lbs	0.037
532695	SGS-5/16-24	0.315	0.472	0.472	1.417	0.630	5/16-24 UNF	0.551	0.630	0.354	13	3,350 lbs	0.099
532696	SGS-3/8-24	0.394	0.551	0.551	1.693	0.787	3/8-24 UNF	0.669	0.748	0.413	13	4,450 lbs	0.154
532697	SGS-1/2-20	0.472	0.630	0.630	1.968	0.866	1/2-20 UNF	0.748	0.866	0.472	13	7,400 lbs	0.231
532698	SGS-5/8-18	0.630	0.827	0.827	2.520	1.102	5/8-18 UNF	0.866	1.063	0.590	15	8,050 lbs	0.463
532699	SGS-3/4-16	0.787	0.984	0.984	3.031	1.299	3/4-16 UNF	1.181	1.338	0.708	15	11,300 lbs	0.837

### Rod Eye, Metric Series Type SGS-...

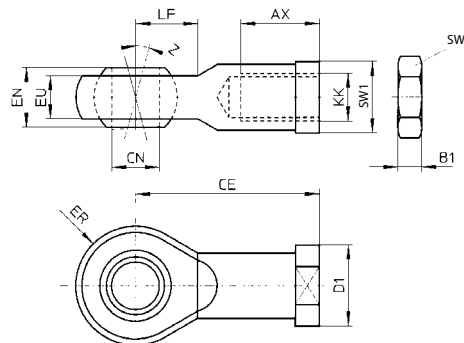
Per DIN 648, dimensional series K

With Hex Nut, per DIN 439

A rod eye is used on a cylinder rod when a clevis or pivot mount is installed. The spherical bearing will allow a certain amount of misalignment of the attached part.

These rod eyes require no lubrication.

Material: Galvanized steel; bearing: sintered bronze (Sn Bz 8)



Spherical bearing  
SW = wrench size

Order Number		For Piston Rod Thread KK	Weight lb / kg	Dimensions											
Part No.	Type			AX in / mm	B1 in / mm	CE in / mm	CN in / mm	D1 in / mm	EU in / mm	EN in / mm	ER in / mm	LF in / mm	SW1 mm	SW2 mm	Z degrees
9253	SGS-M4	M4	0.037 / 0.017	0.39 / 10	0.09 / 2.2	1.06 / 27	0.20 / 5	0.43 / 11	0.24 / 6	0.31 / 8	0.35 / 9	0.39 / 10	9	7	13
9254	SGS-M6	M6	0.055 / 0.025	0.47 / 12	0.13 / 3.2	1.18 / 30	0.24 / 6	0.51 / 13	0.27 / 6.8	0.35 / 9	0.39 / 10	0.43 / 11	11	10	13
9255	SGS-M8	M8	0.099 / 0.045	0.63 / 16	0.16 / 4	1.42 / 36	0.31 / 8	0.63 / 16	0.35 / 9	0.47 / 12	0.47 / 12	0.51 / 13	14	13	13
9256	SGS-M10	M10	0.154 / 0.070	0.79 / 20	0.20 / 5	1.69 / 43	0.39 / 10	0.75 / 19	0.41 / 10.5	0.55 / 14	0.55 / 14	0.59 / 15	17	17	13
9261	SGS-M10 x 1.25	M10 x 1.25	0.154 / 0.070	0.79 / 20	0.20 / 5	1.69 / 43	0.39 / 10	0.75 / 19	0.41 / 10.5	0.55 / 14	0.55 / 14	0.59 / 15	17	17	13
9257	SGS-M12	M12	0.231 / 0.105	0.87 / 22	0.24 / 6	1.97 / 50	0.47 / 12	0.87 / 22	0.47 / 12	0.63 / 16	0.63 / 16	0.67 / 17	19	19	13
9262	SGS-M12 x 1.25	M12 x 1.25	0.231 / 0.105	0.87 / 22	0.24 / 6	1.97 / 50	0.47 / 12	0.87 / 22	0.47 / 12	0.63 / 16	0.63 / 16	0.67 / 17	19	19	13
9258	SGS-M16	M16	0.463 / 0.210	1.10 / 28	0.31 / 8	2.52 / 64	0.63 / 16	1.06 / 27	0.59 / 15	0.83 / 21	0.83 / 21	0.87 / 22	22	24	15
9263	SGS-M16 x 1.5	M16 x .5	0.463 / 0.210	1.10 / 28	0.31 / 8	2.52 / 64	0.63 / 16	1.06 / 27	0.59 / 15	0.83 / 21	0.83 / 21	0.87 / 22	22	24	15
9259	SGS-M20	M20	0.837 / 0.380	1.30 / 33	0.39 / 10	3.03 / 77	0.79 / 20	1.34 / 34	0.71 / 18	0.98 / 25	0.98 / 25	1.02 / 26	30	30	15
9264	SGS-M20 x 1.5	M20 x 1.5	0.837 / 0.380	1.30 / 33	0.39 / 10	3.03 / 77	0.79 / 20	1.34 / 34	0.71 / 18	0.98 / 25	0.98 / 25	1.02 / 26	30	30	15
9260	SGS-M24	M24	1.433 / 0.650	1.65 / 42	0.47 / 12	3.70 / 94	0.98 / 25	1.65 / 42	0.87 / 22	1.22 / 31	1.18 / 30	1.22 / 31	36	36	15
10774	SGS-M27 x 2	M27 x 2	2.860 / 1.300	2.01 / 51	0.53 / 13.5	4.33 / 110	1.18 / 30	1.97 / 50	0.98 / 25	1.46 / 37	1.38 / 35	1.42 / 36	41	41	15
10775	SGS-M36 x 2	M36 x 2	4.023 / 1.825	2.20 / 56	0.71 / 18	4.92 / 125	1.38 / 35	2.28 / 58	1.10 / 28	1.69 / 43	1.57 / 40	1.61 / 41	50	55	15
10776	SGS-M42 x 2	M42 x 2	6.100 / 2.780	2.56 / 65	0.83 / 21	5.59 / 142	1.57 / 40	2.56 / 65	1.29 / 33	1.93 / 49	1.77 / 45	1.81 / 46	55	65	15
10777	SGS-M48 x 2	M48 x 2	7.073 / 3.215	2.95 / 75	0.94 / 24	6.29 / 160	1.96 / 50	2.95 / 75	1.77 / 45	2.36 / 60	2.26 / 57.5	2.32 / 59	65	75	15

# Festo - Your Partner in Automation



**1 Festo Inc.**  
5300 Explorer Drive  
Mississauga, ON L4W 5G4  
Canada

**Festo Customer Interaction Center**  
Tel: 1 877 463 3786  
Fax: 1 877 393 3786  
Email: [customer.service.ca@festo.com](mailto:customer.service.ca@festo.com)



**2 Festo Pneumatic**  
Av. Ceylán 3,  
Col. Tequesquináhuac  
54020 Tlalnepantla,  
Estado de México

**Multinational Contact Center**  
01 800 337 8669  
[ventas.mexico@festo.com](mailto:ventas.mexico@festo.com)



**3 Festo Corporation**  
1377 Motor Parkway  
Suite 310  
Islandia, NY 11749

**Festo Customer Interaction Center**  
1 800 993 3786  
1 800 963 3786  
[customer.service.us@festo.com](mailto:customer.service.us@festo.com)



**4 Regional Service Center**  
7777 Columbia Road  
Mason, OH 45040

Connect with us



[www.festo.com/socialmedia](http://www.festo.com/socialmedia)



[www.festo.com](http://www.festo.com)

Subject to change