

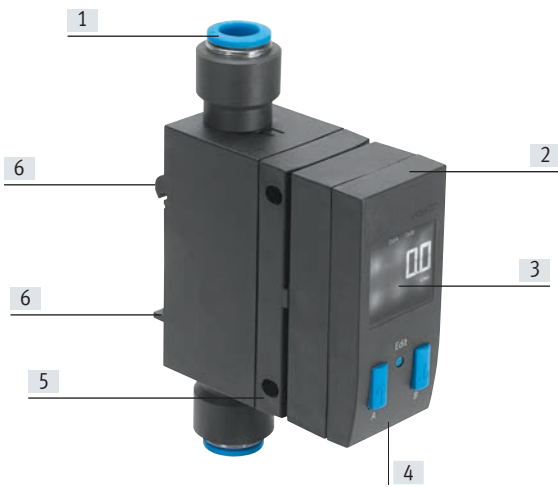
Flow sensors SFAB

FESTO



Key features

At a glance



- [1] Quick and secure installation thanks to QS fitting
- [2] Display can be rotated 270°
- [3] – High-contrast LCD display with blue background and white 9-segment display
– Bar chart depicts current measured value
– Switching point-dependent colour change
- [4] Central electrical connection via an M12 plug
- [5] Panel mounting of the sensor using retaining screws
5 measuring ranges from 0.1 ... 10 l/min to 10 ... 100 l/min
- [6] Manifold mounting of the sensor with H-rail or individually with adapter plate for wall mounting

Impressive, straightforward, reliable

The flow sensors, featuring an attractive display and control concept, are very impressive when it comes to:

- Leakage detection in production
- Leak testing of end products
- Flow monitoring in parts feeding

The sensor provides:

- Absolute flow rate information
– with threshold values and
– convenient switching point adjustment via a display
- Cumulative air consumption measurement
- Patented – adjustable consumption-based switching pulse for cumulative air consumption measurement via the switching output

Flexible installation

This is made possible by the extremely compact design that dispenses with an upstream laminar flow inlet and outlet – the SFAB has an integrated flow steadying channel.

Systematically more reliable

The sensor can provide precise information even when flow conditions are fluctuating and unreliable thanks to the very large measuring range.

Easy to operate

- A large, illuminated LCD display increases the operational safety and makes the currently displayed flow rate or consumption values easy to read.
- Measured values outside the measuring range are visualised: flow rates are shown flashing.
- Values that fall below or exceed the threshold values can also be identified from a distance or if the sensor is in an inaccessible location by the display changing colour.
- Simple checking of the current sensor settings in SHOW mode
- Simple switching between consumption and flow rate indication

Convenient

- Clear and fast menu navigation
- Integrated QS fittings
- Fast teach-in
- Rotatable display
- Secure connections with extremely short assembly times
- Manual consumption measurement with start/stop and reset functionality

Advantages

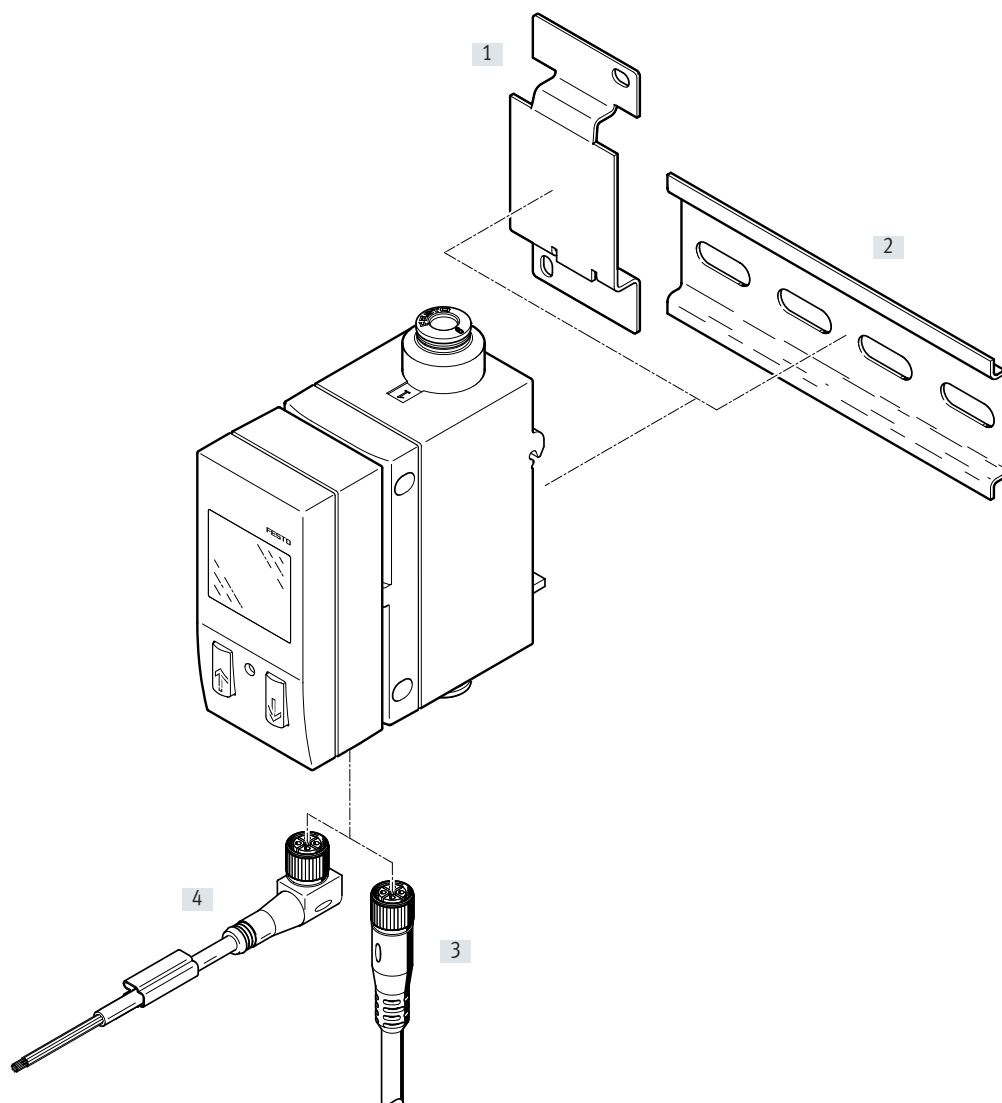
For the designer

- Owing to the high dynamic response of the measurement and large measuring range, a rough estimate of the system air consumption is sufficient to configure the sensor
- Festo plug and work solution
- The same device can be used for different applications
- The sensor covers a large measuring range with a specified accuracy thanks to its high dynamic response of 1:100
- NPN/PNP can be switched via the software
- Minimal assembly times
- Alternatively with 4 ... 20 mA or 0 ... 10 V analogue output
- Flexible installation without restrictions caused by laminar flow inlets, any mounting position
- Large choice of pneumatic connections is provided by the modular system
- Construction of more powerful machines

For the machine operator

- Precise information is available even with fluctuating pressure conditions
- Flow values can be read easily and reliably
- Visualisation of deviations (colour change, flashing value)
- Easy operation, no need for training
- Greater system reliability
- Values shown on the display:
 - can be shown for flow and consumption for different standard conditions
 - can be filtered/averaged independently of the analogue output in the case of high dynamic response of the measurement
- Fast commissioning thanks to easy-to-use, intuitive teach-in function

Peripherals overview



Accessories	Brief description	→ Page/Internet
[1] Adapter plate SDE1-...-W-...	Included in the scope of delivery with SFAB-...-W...	11
[2] Mounting rail	To DIN EN 60715	nrh
[3] Connecting cable NEBU-M12G5	Straight socket	11
[4] Connecting cable NEBU-M12W5	Angled socket	11

Type codes

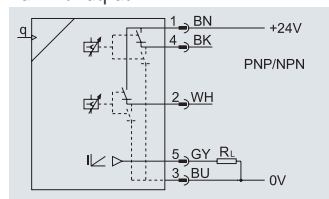
001	Series	
SFAB	Flow sensor	
002	Flow measuring range	
10	Max. 10 l/min	
50	Max. 50 l/min	
200	Max. 200 l/min	
600	Max. 600 l/min	
1000	Max. 1000 l/min	
003	Flow rate input	
U	Unidirectional	
004	Type of mounting	
H	H-rail mounting	
W	Wall mounting	
005	Pneumatic connection	
Q6	Push-in connector 6 mm	
Q8	Push-in connector 8 mm	
Q10	Push-in connector 10 mm	
Q12	Push-in connector 12 mm	
T14	Push-in connector 1/4"	
T38	Push-in connector 3/8"	
T516	Push-in connector 5/16"	
006	Electrical output 1	
Additional variants can be ordered using the modular product system → 10		
PNLK	PNP/NPN/IO-Link	
2SA	2x PNP or NPN, 1 analogue output 4 ... 20 mA	
2SV	2x PNP or NPN, 1 analogue output 0 ... 10 V	
<ul style="list-style-type: none"> • Pneumatic connection • Electrical accessories • EU certification (ATEX) 		

007	Electrical output 2	
	None	
PNVBA	PNP or NPN or 0 ... 10 V or 1 ... 5 V or 4 ... 20 mA	
008	Electrical connection	
M12	Plug M12, A-coded	
009	Electrical accessories	
	None	
2.5A	Angled socket, cable 2.5 m	
2.5S	Straight socket, cable 2.5 m	
5A	Angled socket, cable 5 m	
5S	Straight socket, cable 5 m	
010	Connecting cable, M8, straight socket	
	None	
2.5S	2.5 m	
5S	5 m	
011	Connecting cable, M8, angled plug socket	
2.5A	2.5 m	
	None	
5A	5 m	
012	EU certification	
	None	
EX2	II 3GD	
013	Certificate	
	None	
T	Test report	

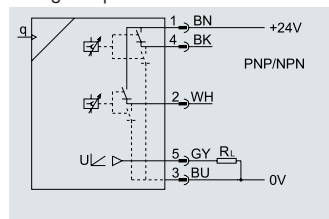
Data sheet

Function

Current output 2SA



Voltage output 2SV



- Analogue output 0 ... 10 V, adjustable switching outputs 2x PNP or 2x NPN
- Analogue output 4 ... 20 mA, adjustable switching outputs 2x PNP or 2x NPN
- Freely selectable pulse output for consumption measurement
- Analogue filter for setting the rise time
- Digital filter for smoothing the display values



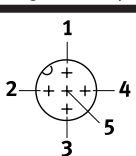
General technical data		-10U	-50U	-200U	-600U	-1000U
General						
Certification	RCM compliance mark cUL us - Recognized (OL)					
KC mark	KC EMC					
Certificate issuing authority	UL E322346					
CE marking (see declaration of conformity)	To EU EMC Directive To EU Explosion Protection Directive (ATEX) To EU RoHS Directive					
Note on materials	RoHS-compliant					
Input signal/measuring element						
Measured variable	Flow rate, consumption					
Flow direction	Unidirectional P1 } P2					
Measuring principle	Thermal					
Flow measuring range	[l/min]	0.1 ... 10	0.5 ... 50	2 ... 200	6 ... 600	10 ... 1000
Operating pressure	[bar]	0 ... 10				
Nominal pressure	[bar]	6				
Operating medium	Compressed air to ISO 8573-1:2010 [6:4:4] Nitrogen			Compressed air to ISO 8573-1:2010 [7:4:4] Nitrogen		
Temperature of medium	[°C]	0 ... 50				
Ambient temperature	[°C]	0 ... 50				
Nominal temperature	[°C]	23				

Data sheet

Electrical data		-10U	-50U	-200U	-600U	-1000U
Output, general^{1), 2)}						
Accuracy of flow rate		+/- (3% o.m.v. + 0.3% FS)				
Repetition accuracy, zero point ±FS	[%]	0.2				
Repetition accuracy range ±FS	[%]	0.8				
Temperature coefficient range ±FS/K	[%]	≤0.1				
Pressure-dependent margin ±FS/bar	[%]	0.5				
Switching output						
Switching output		2x PNP or 2x NPN, adjustable				
Switching function		Window comparator or threshold value comparator, adjustable				
Switching element function		N/C or N/O contact, adjustable				
Switch-on time		Adjustable (factory setting: approx. 80 ms)				
Switch-off time		Adjustable (factory setting: approx. 80 ms)				
Max. output current	[mA]	≤100				
Voltage drop	[V]	Max. 1.5				
Inductive protective circuit		Adapted to MZ, MY, ME coils				
Analogue output						
Characteristic flow rate curve	[l/min]	0 ... 10	0 ... 50	0 ... 200	0 ... 600	0 ... 1000
Output characteristic curve for current	[mA]	4 ... 20				
Output characteristic curve for voltage	[V]	0 ... 10				
Rise time	[ms]	15, 30, 60 (factory setting), 125, 250, 500, 999 possible settings				
Max. load resistance at current output	[ohm]	500				
Min. load resistance of voltage output	[kOhm]	10				
Output, additional data						
Short circuit current rating		Yes				
Overload protection		Provided				
Electronics						
Operating voltage range DC	[v]	15 ... 30				
Reverse polarity protection		For all electrical connections				
Electromechanics						
Electrical connection		Straight plug, M12x1, 5-pin				
Max. connecting cable length	[m]	<10				

1) Accuracy with nominal conditions (6 bar, 23°C and horizontal mounting position)

2) % FS = % of the final value in the measuring range (full scale)

Pin allocation		
Plug M12x1, 5-pin	Pin	Meaning
	1	Operating voltage +24 V DC
	2	Binary output B
	3	0 V
	4	Binary output A
	5	Analogue output C

Data sheet

Mechanics		-10U	-50U	-200U	-600U	-1000U
Mounting position		Any				
Pneumatic connection ¹⁾		QS6	QS6	–	–	–
		QS8	QS8	QS8		
		QS10	QS10	QS10	QS10	QS10
		QS12	QS12	QS12	QS12	QS12
		QS1/4	QS1/4	–	–	–
		QS5/16	QS5/16	QS5/16	–	–
	QS3/8	QS3/8	QS3/8	QS3/8	QS3/8	
Product weight	[g]	160				
Information about housing materials		Reinforced PA				

Display/operation		-10U	-50U	-200U	-600U	-1000U
Display type		Illuminated LCD, blue				
Displayable units		l/min, l/h, scfm, l, m ³ , scf			l/min, scfm, l, m ³ , scf	
Setting range for flow rate threshold value		1%FS ... 100% FS				
Setting range for consumption impulse threshold value	[l]	0.1 ... 1999.9	0.2 ... 1999.9	1 ... 1999.9	2 ... 1999.9	3 ... 1999.9
	[m ³]	0.01 ... 199.99			0.1 ... 1999.9	1 ... 19999
	[scf]	0.01 ... 199.99		0.03 ... 199.99	0.1 ... 1999.9	
Hysteresis setting range		0%FS ... 90% FS				

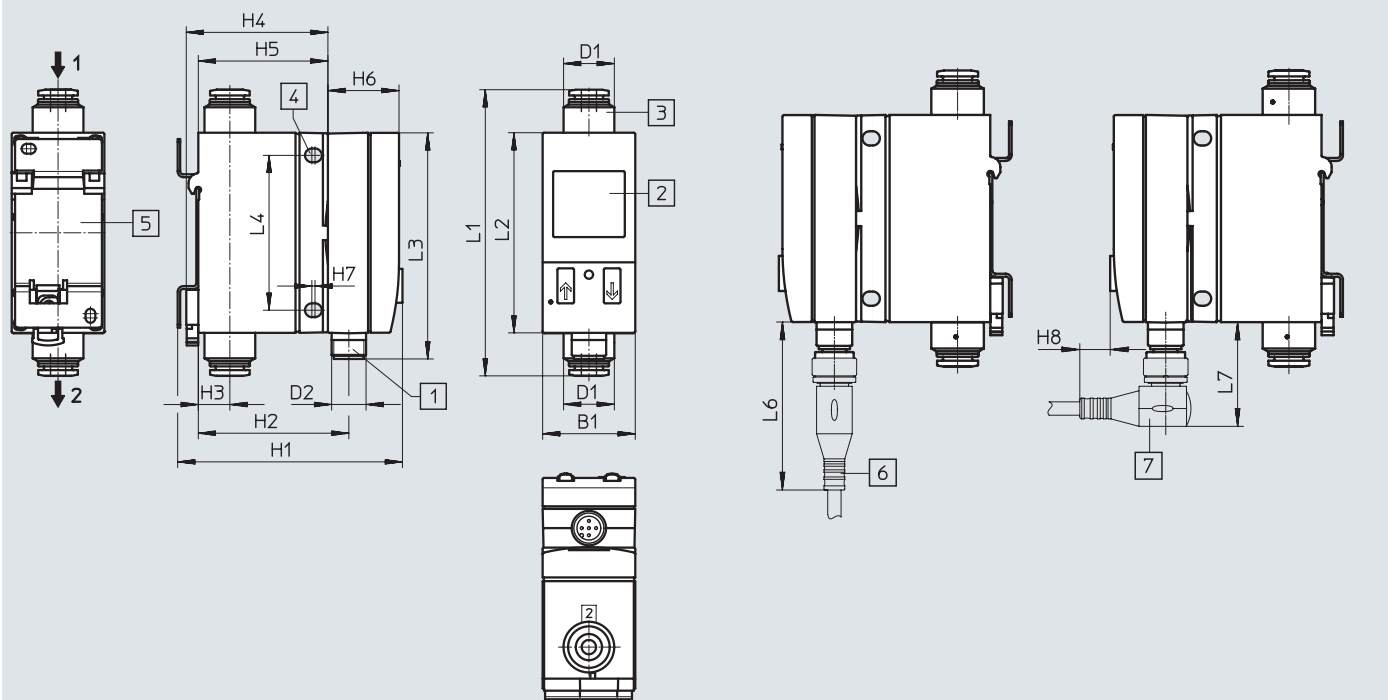
Immissions/emissions		-10U	-50U	-200U	-600U	-1000U
Storage temperature	[°C]	–20 ... +80 (characteristic -D: –10 ... +60)				
Degree of protection		IP65				
Pressure drop	[mbar]	<100				
Protection class		III				

Data sheet

Dimensions

Download CAD data → www.festo.com

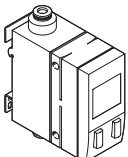
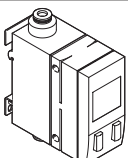
SFAB-...-H/-W



- [1] Plug M12x1 to EN 60947-5-2
- [2] LCD display
- [3] Pneumatic connection
- [4] Hole for retaining screw M4
- [5] Adapter plate for wall mounting
- [6] Connecting cable, straight socket
- [7] Connecting cable, angled plug socket

Type	B1	D1	D2	H1	H2	H3	H4	H5	H6	H7	H8	L1	L2	L3	L4	L6	L7
SFAB-...-HQ6	32.3	17.7	M12x1	-	51.6	11	48.5	44.3	24.4	1.1	12	95.6	69.8	78.9	54	56	35
SFAB-...-HQ8												99.8					
SFAB-...-HQ10												119.8					
SFAB-...-HQ12												124.4					
SFAB-...-WQ6	32.3	17.7	M12x1	79	51.6	11	48.5	44.3	24.4	1.1	12	95.6	69.8	78.9	54	56	35
SFAB-...-WQ8												99.8					
SFAB-...-WQ10												119.8					

Data sheet

Ordering data					
Design	Electrical output	Flow measuring range [l/min]	Part no.	Type	
H-rail mounting					
	2x PNP or NPN, 1 analogue output 4 ... 20 mA	0.1 ... 10	565385	SFAB-10U-HQ6-2SA-M12	
		0.5 ... 50	565389	SFAB-50U-HQ6-2SA-M12	
		2 ... 200	565393	SFAB-200U-HQ8-2SA-M12	
		2 ... 200	565397	SFAB-200U-HQ10-2SA-M12	
		6 ... 600	565401	SFAB-600U-HQ10-2SA-M12	
		10 ... 1000	565405	SFAB-1000U-HQ10-2SA-M12	
	2x PNP or NPN, 1 analogue output 0 ... 10 V	0.1 ... 10	565386	SFAB-10U-HQ6-2SV-M12	
		0.5 ... 50	565390	SFAB-50U-HQ6-2SV-M12	
		2 ... 200	565394	SFAB-200U-HQ8-2SV-M12	
		2 ... 200	565398	SFAB-200U-HQ10-2SV-M12	
		6 ... 600	565402	SFAB-600U-HQ10-2SV-M12	
		10 ... 1000	565406	SFAB-1000U-HQ10-2SV-M12	
	Wall or surface mounting				
		2x PNP or NPN, 1 analogue output 4 ... 20 mA	0.1 ... 10	565387	SFAB-10U-WQ6-2SA-M12
0.5 ... 50			565391	SFAB-50U-WQ6-2SA-M12	
2 ... 200			565395	SFAB-200U-WQ8-2SA-M12	
2 ... 200			565399	SFAB-200U-WQ10-2SA-M12	
6 ... 600			565403	SFAB-600U-WQ10-2SA-M12	
10 ... 1000			565407	SFAB-1000U-WQ10-2SA-M12	
2x PNP or NPN, 1 analogue output 0 ... 10 V		0.1 ... 10	565388	SFAB-10U-WQ6-2SV-M12	
		0.5 ... 50	565392	SFAB-50U-WQ6-2SV-M12	
		2 ... 200	565396	SFAB-200U-WQ8-2SV-M12	
		2 ... 200	565400	SFAB-200U-WQ10-2SV-M12	
		6 ... 600	565404	SFAB-600U-WQ10-2SV-M12	
		10 ... 1000	565408	SFAB-1000U-WQ10-2SV-M12	

Ordering data – Modular product system

Ordering table		Conditions	Code	Enter code
Module no.	563795			
Function	Flow sensor		SFAB	-SFAB
Medium	Compressed air		-	
Flow measuring range	l/min			
	Max. 10		10	
	Max. 50		50	
	Max. 200		200	
	Max. 600		600	
	Max. 1000		1000	
Flow input	Unidirectional		U	U
Type of mounting	H-rail mounting		-H	
	Wall mounting		-W	
Pneumatic connection	Push-in connector 6 mm	[1]	Q6	
	Push-in connector 8 mm	[2]	Q8	
	Push-in connector 10 mm		Q10	
	Push-in connector 12 mm		Q12	
	Push-in connector for 1/4	[1]	T14	
	Push-in connector for 5/16	[2]	T516	
	Push-in connector for 3/8		T38	
Electrical output	2x PNP or NPN, 1 analogue output 4 ... 20 mA		-2SA	
	2x PNP or NPN, 1 analogue output 0 ... 10 V		-2SV	
Electrical connection	M12 plug, A-coded		-M12	M12
Electrical accessories	n/a			
	Angled socket, cable 2.5 m		-2.5A	
	Straight socket, cable 2.5 m		-2.5S	
	Angled socket, cable 5 m		-5 A	
	Straight socket, cable 5 m		-5S	
EU certification	n/a			
	II 3GD		-EX2	

[1] Q6, T14 Not with flow measuring range 200, 600, 1000

[2] Q8, T516 Not with flow measuring range 600, 1000

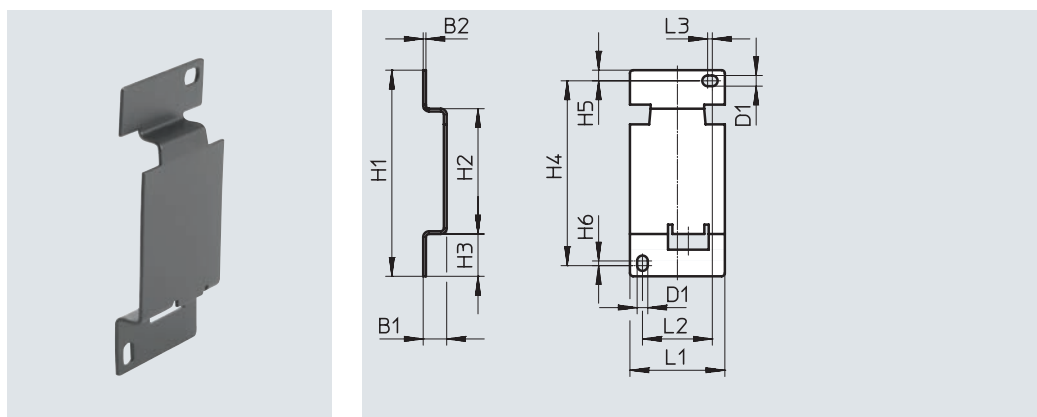
Accessories

Adapter plate SDE1-...-W...

For wall or surface mounting

Material:

Steel




Ordering data – Adapter plate¹⁾

Type	B1	B2	D1 ∅	H1 ±0.1	H2	H3	H4	H5	H6	L1	L2	L3	Part no.	Type
SDE1-...-W...	7.5	0.9	3.4	65.8	40	13.5	59	3.4	1.5	30.3	22.3	1.5	194297	SDE1-...-W...

1) Included in the scope of delivery with SFAB-...-W...

Ordering data – One-way flow control valve


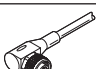
Data sheets → Internet: grx-vfoi

	Pneumatic connection	Suitable for SFAB ¹⁾	Part no.	Type
	QS-4	SFAB-10U	193967	GR-QS-4
	QS-6	SFAB-50U	193969	GR-QS-6
	QS-8	SFAB-200U	193970	GR-QS-8

1) Additional accessories may be required for adaptation to the pneumatic connection.

Ordering data – Connecting cables

Data sheets → Internet: nebu

	Number of wires	Cable length [m]	Part no.	Type
M12x1, straight socket				
	5	2.5	541330	NEBU-M12G5-K-2.5-LE5
		5	541331	NEBU-M12G5-K-5-LE5
M12x1, angled socket				
	5	2.5	567843	NEBU-M12W5-K-2.5-LE5
		5	567844	NEBU-M12W5-K-5-LE5

Festo - Your Partner in Automation



1 Festo Inc.
5300 Explorer Drive
Mississauga, ON L4W 5G4
Canada

Festo Customer Interaction Center
Tel: 1 877 463 3786
Fax: 1 877 393 3786
Email: customer.service.ca@festo.com

2 Festo Pneumatic
Av. Ceylán 3,
Col. Tequesquináhuac
54020 Tlalneantla,
Estado de México

Multinational Contact Center
01 800 337 8669
ventas.mexico@festo.com

3 Festo Corporation
1377 Motor Parkway
Suite 310
Islandia, NY 11749

Festo Customer Interaction Center
1 800 993 3786
1 800 963 3786
customer.service.us@festo.com

4 Regional Service Center
7777 Columbia Road
Mason, OH 45040

Connect with us



www.festo.com/socialmedia



www.festo.com

Subject to change