

# Motor controller SEC-ST, for stepper motors



# Motor controller SEC-ST, for stepper motors

Key features and Type code

## At a glance

Motor controller SEC-ST

→ 3

- System product for positioning applications
- Compact unit, ready for installation
- Adjustable power range for all motors
- Full, half, quarter, fifth, eighth, tenth, thirty-second step mode
- Selectable current reduction
- Pre-assembled electrical connection accessories



## Power supply unit SVG

→ 4

- Robust hardware
- Input voltage 230 V AC/115 V AC
- Output voltage 48 V DC
- Nominal output current 5/10/20 A



## Type code

SEC – ST – 48 – 6 – P01

### Type

SEC Motor controller

### Motor type

ST Stepper motor

### Input voltage

48 48 V

### Nominal current

6 6 A

### Generation

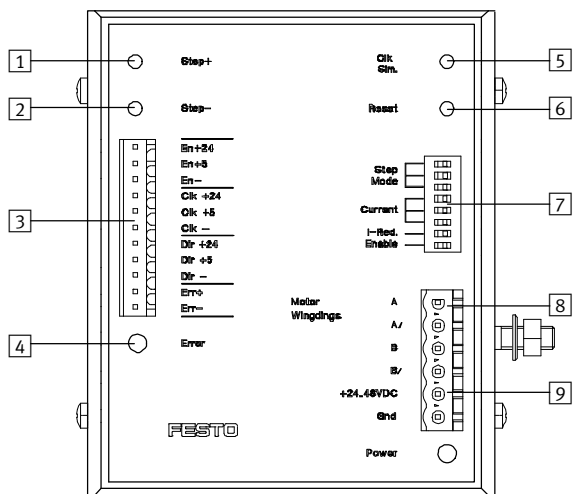
P01 1<sup>st</sup> generation

# Motor controller SEC-ST, for stepper motors

Technical data



## Explanation of the functions/interfaces



- 1 "Step +" button
- 2 "Step -" button
- 3 Plug X1 for control cable (step, direction, etc.)
- 4 LED, indicates an error
- 5 "CLK, Sim." button
- 6 "Reset" button
- 7 DIP switch for setting the operating mode, current value and current reduction
- 8 Plug X2 for motor connection
- 9 Plug X3 for supply voltage

## General electrical data

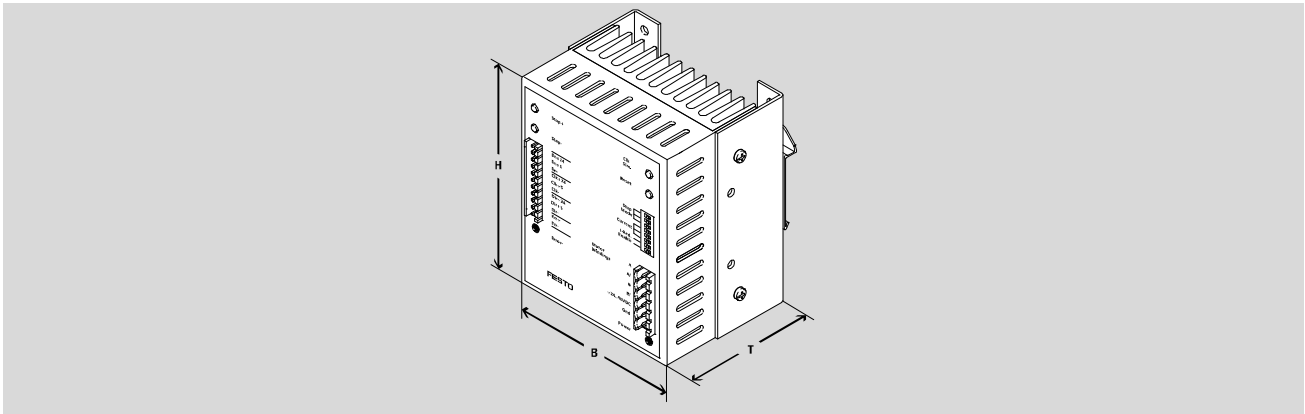
General electrical data		SEC-ST-48-6-P01
Nominal operating voltage $V_{\text{nominal}}$	[V DC]	24 ... 48
Nominal current (adjustable) $I_{\text{nominal}}$	[A]	1.25 ... 6 via DIP switch
Max. step frequency	[kHz]	40
Current reduction (adjustable)	[%]	0 or 70 via DIP switch
Operating range	[V DC]	20 ... 26
Logic input	[V DC]	4 ... 6
System mode		Bipolar chopper driver
Operating mode		Full step = 200 steps/revolution Half step = 400 steps/revolution (recommended) Quarter step = 800 steps/revolution Fifth step = 1000 steps/revolution Eighth step = 1600 steps/revolution Tenth step = 2000 steps/revolution Thirty-second step = 6400 steps/revolution
Step adjustment		Via DIP switch

# Motor controller SEC-ST, for stepper motors

FESTO

Technical data and accessories

Operating and environmental conditions		
Ambient temperature	[°C]	0 ... +40
Storage temperature	[°C]	-10 ... +60
Weight	[g]	660
Protection class		IP20
CE symbol (declaration of conformance)		In accordance with EU EMC Directive
Certification		C-Tick
Connection type		Screw terminal
Type of mounting		TS 35 DIN H-rail



Dimensions and ordering data						
	H	W	D	Part No.	Type	
Motor controller	106	89	70	548 945	SEC-ST-48-6-P01	

Ordering data for accessories						
	Brief description	Input voltage range [V AC]	Output voltage [V DC]	Nominal current [A]	Part No.	Type
Power supply unit <span style="float: right;">Technical data → Internet: svg</span>						
	Power supply for motor controller	100 ... 240	48	5	542 403	SVG-1/230VAC-48VDC-5A
				10	542 404	SVG-1/230VAC-48VDC-10A
		400 ... 500		20	542 405	SVG-3/400VAC-48VDC-20A

## Product Range and Company Overview

### A Complete Suite and Company Overview

Our experienced engineers provide complete support at every stage of your development process, including: conceptualization, analysis, engineering, design, assembly, documentation, validation, and production.



**Custom Automation Components**  
Complete custom engineered solutions



**Custom Control Cabinets**  
Comprehensive engineering support and on-site services



**Complete Systems**  
Shipment, stocking and storage services

### The Broadest Range of Automation Components

With a comprehensive line of more than 30,000 automation components, Festo is capable of solving the most complex automation requirements.



**Electromechanical**  
Electromechanical actuators, motors, controllers & drivers



**Pneumatics**  
Pneumatic linear and rotary actuators, valves, and air supply



**PLCs and I/O Devices**  
PLC's, operator interfaces, sensors and I/O devices

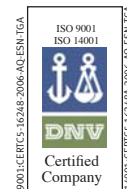
### Supporting Advanced Automation... As No One Else Can!

Festo is a leading global manufacturer of pneumatic and electromechanical systems, components and controls for industrial automation, with more than 16,000 employees in 60 national headquarters serving more than 180 countries. For more than 80 years, Festo has continuously elevated the state of manufacturing with innovations and optimized motion control solutions that deliver higher performing, more profitable automated manufacturing and processing equipment. Our dedication to the advancement of automation extends beyond technology to the education and development of current and future automation and robotics designers with simulation tools, teaching programs, and on-site services.

### Quality Assurance, ISO 9001 and ISO 14001 Certifications

Festo Corporation is committed to supply all Festo products and services that will meet or exceed our customers' requirements in product quality, delivery, customer service and satisfaction.

To meet this commitment, we strive to ensure a consistent, integrated, and systematic approach to management that will meet or exceed the requirements of the ISO 9001 standard for Quality Management and the ISO 14001 standard for Environmental Management.

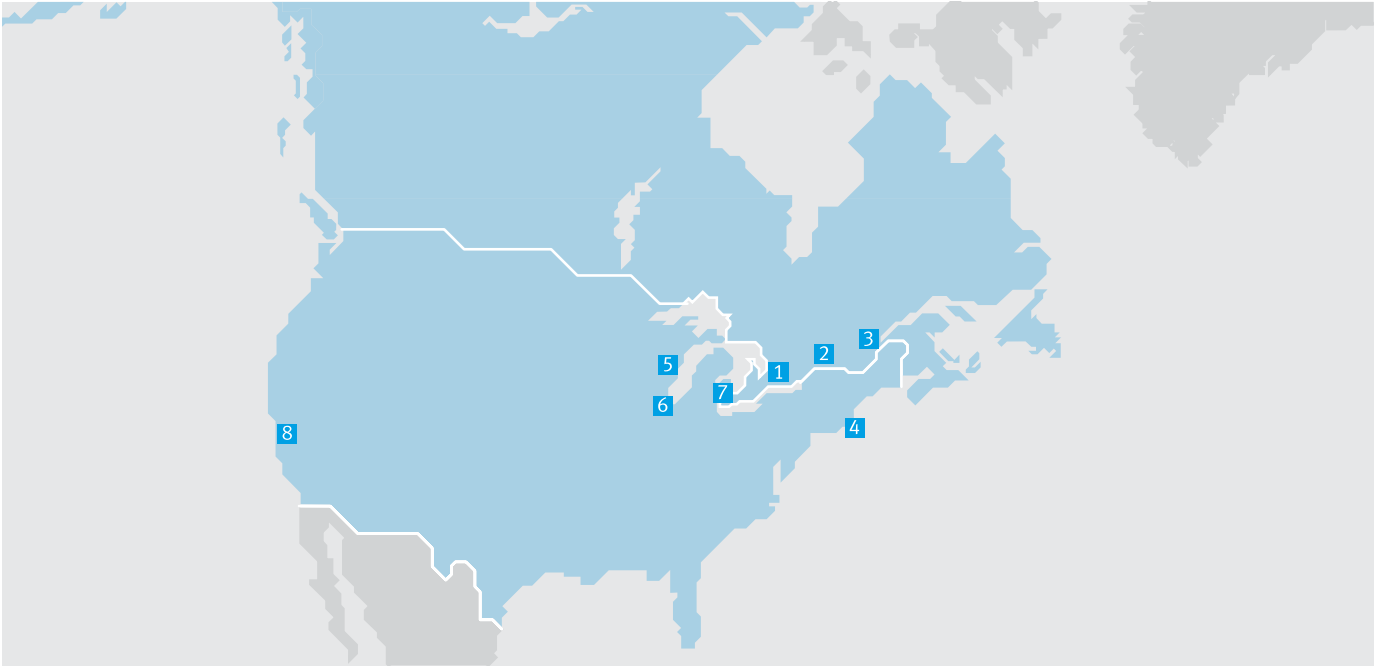


© Copyright 2013, Festo Corporation. While every effort is made to ensure that all dimensions and specifications are correct, Festo cannot guarantee that publications are completely free of any error, in particular typing or printing errors. Accordingly, Festo cannot be held responsible for the same. For Liability and Warranty conditions, refer to our "Terms and Conditions of Sale", available from your local Festo office. All rights reserved. No part of this publication may be reproduced, distributed, or transmitted in any form or by any means, electronic, mechanical, photocopying or otherwise, without the prior written permission of Festo. All technical data subject to change according to technical update.



Printed on recycled paper at New Horizon Graphic, Inc., FSC certified as an environmental friendly printing plant.

# Festo North America



**1 Festo Canada  
Headquarters  
Festo Inc.**  
5300 Explorer Drive  
Mississauga, ON  
L4W 5G4

**2 Montréal**  
5600, Trans-Canada  
Pointe-Claire, QC  
H9R 1B6

**3 Québec City**  
2930, rue Watt#117  
Québec, QC  
G1X 4G3



**4 Festo United States  
Headquarters  
Festo Corporation**  
395 Moreland Road  
Hauppauge, NY  
11788

**5 Appleton**  
North 922 Tower View Drive, Suite N  
Greenville, WI  
54942

**7 Detroit**  
1441 West Long Lake Road  
Troy, MI  
48098

**6 Chicago**  
85 W Algonquin - Suite 340  
Arlington Heights, IL  
60005

**8 Silicon Valley**  
4935 Southfront Road, Suite F  
Livermore, CA  
94550

## Festo Regional Contact Center

### Canadian Customers

Commercial Support:  
Tel: 1 877 GO FESTO (1 877 463 3786)  
Fax: 1 877 FX FESTO (1 877 393 3786)  
Email: festo.canada@ca.festo.com

Technical Support:  
Tel: 1 866 GO FESTO (1 866 463 3786)  
Fax: 1 877 FX FESTO (1 877 393 3786)  
Email: technical.support@ca.festo.com

### USA Customers

Commercial Support:  
Tel: 1 800 99 FESTO (1 800 993 3786)  
Fax: 1 800 96 FESTO (1 800 963 3786)  
Email: customer.service@us.festo.com

Technical Support:  
Tel: 1 866 GO FESTO (1 866 463 3786)  
Fax: 1 800 96 FESTO (1 800 963 3786)  
Email: product.support@us.festo.com

Subject to change

Internet: [www.festo.com/us](http://www.festo.com/us)