

Compact Vision Systems SBOC-Q/SBOI-Q



# Compact Vision Systems SBOC-Q/SBOI-Q

Key features



## Mode of operation

The camera not only contains the sensor system for image data acquisition, but also the complete electronic evaluation unit for image processing, an integrated PLC and the interfaces for communication with higher-level controllers.

The CheckKon and CheckOpti software tools make configuring the image processing task very straightforward.

The user creates reference images with the camera by presenting different sample parts and then defines the desired inspection criteria. These can include, for example, brightness, distance, angle and circularity, but also the reading of text and/or 1D or 2D codes. The sample parts define the tolerance range, within which parts are identified as good, for each inspection characteristic.

Up to 256 characteristics can be combined in a single program and up to

256 inspection programs can be stored on the camera.

The camera can also be used to carry out sorting functions, as it is capable of storing and distinguishing between up to 16 different part types per inspection program.

The characteristics calculated by the camera are not dependent on the rotary orientation and position of the inspection part, as they are determined relative to the position of the inspection part – any tilting and/or movement of the inspection part in the field of vision is therefore irrelevant for the inspection process.

The behaviour of the camera during inspection is determined by the evaluation mode. There are four different modes.

## Evaluation modes

Mode	Function	Application
Triggered	Frame capture and inspection with each valid triggering signal. The triggering signal is generated by a master controller or a sensor as soon as the inspection part is in front of the camera. The inspection results are output following the inspection, and the camera then waits for the next valid triggering signal.	Inspection of single parts when there is a triggering signal for image capture.
Idle run with image trigger with Compact Vision System SBO...-Q-R...B	Image capture is performed continuously, but image evaluation only if there is an inspection part in front of the camera, i.e. if the trigger condition has been satisfied in a freely defined image area (e.g. a specific brightness is exceeded/fallen below). The inspection results are output following the inspection. The camera then waits for the next image-based trigger.	Inspection of single parts at a medium to fast rate without an external sensor.
Idle run without image trigger	Image capture and inspection (without fixed frame rate) are performed continuously. The triggering signal is permanently present, irrespective of whether or not there is an inspection part in front of the camera. The camera acts like a basic sensor. The inspection results are output following the inspection, and the camera then starts the next inspection immediately.	Inspection of single or continuous parts at a medium to fast (continuous) rate.

## Programming

### Integrated PLC



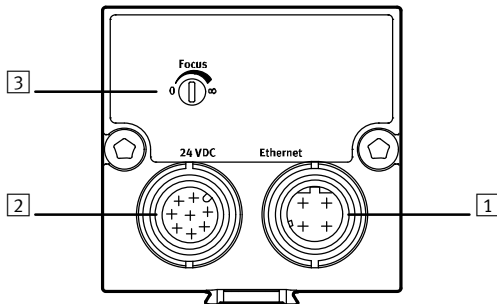
The integrated PLC can be programmed in all programming languages covered by IEC 61131-3 (e.g. LDR, ST, sequential function chart, etc.) using the software tool CODESYS provided by Festo. The predefined function blocks enable straightforward data exchange between the image processing task and the integrated PLC. This provides an easy means of implementing extensive inspection tasks or even communication between different cameras.

# Compact Vision Systems SBOC-Q/SBOI-Q

Key features

## Interfaces

Connection and display components



- 1 Ethernet connection
- 2 Operating voltage supply and inputs/outputs
- 3 Adjusting screw for focus

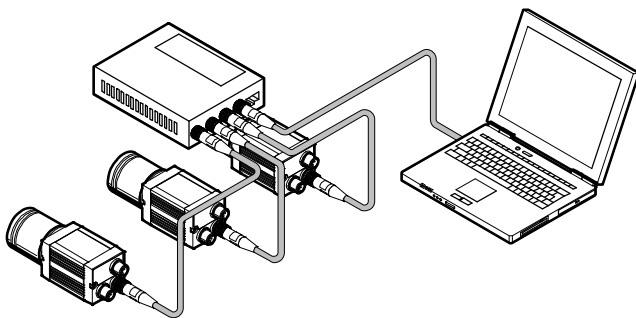
Inputs:

- Camera trigger
- Error acknowledgment

Outputs (can be parameterised):

- Ready status
- Good part correctly oriented
- Good part incorrectly oriented
- Reject part
- Error
- Warning
- External lighting

## Ethernet – TCP/IP

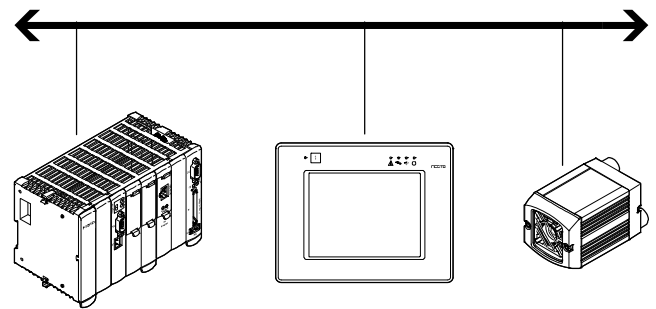


Commissioning and diagnostics:

- PC for configuration and for diagnostics with TCP/IP
- Integration of the camera in a corporate network (integrated web server)

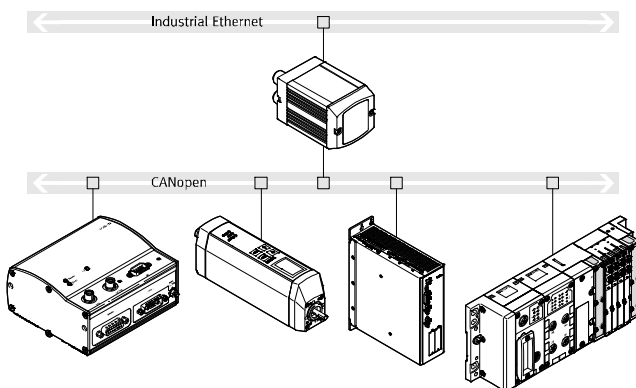
– Visualisation of the camera images and inspection results via SBO...-Q WebViewer

## Ethernet – TCP/IP, EasyIP, Telnet, Modbus TCP



All parameters can be modified and all inspection results and characteristic values can be read via the Ethernet interface with EasyIP, Telnet and Modbus TCP.

## CANopen master functionality



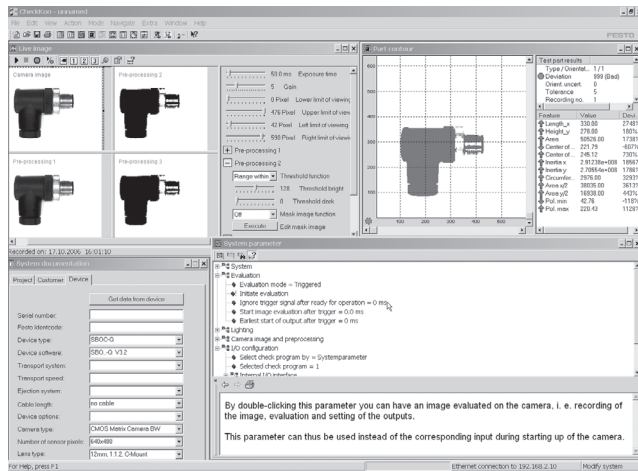
Servo controllers and remote I/O can be addressed directly via the CANopen master functionality.

# Compact Vision Systems SBOC-Q/SBOI-Q

Key features



## Software CheckKon

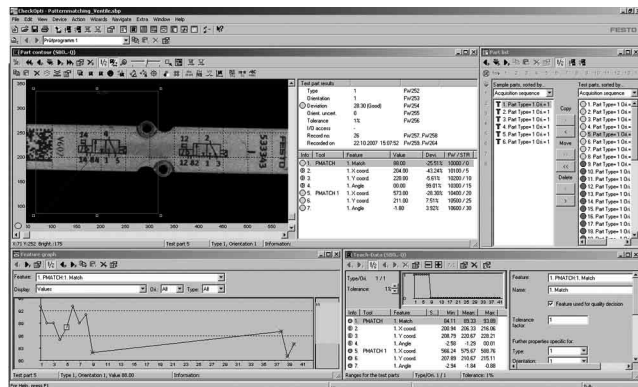


Using the CheckKon software, all processes within the camera – from image capture to the input and output parameters – can be displayed, logged and modified.

This includes:

- Selecting the evaluation mode
- Displaying and editing system parameters
- Displaying analysis of most recently inspected parts
- Displaying and logging inspection part images and the characteristics derived from them
- Loading new inspection programs
- System documentation

## CheckOpti



CheckOpti is used to configure inspection programs. Following the presentation of sample parts, the user defines the characteristics to be inspected with the aid of the software.

This is done by selecting the characteristics from a list and then dragging and dropping them to the area of the sample part to be inspected. A total of 256 performance characteristics can thus be defined and optimised within the framework of an inspection program. The inspection program can then be uploaded to one of the camera's 256 memory locations.

Examples of inspection characteristics:

- Vertical length measurement
- Horizontal length measurement
- Angle measurement
- Counting of events
- Measurements on the inspection part contour
- Area definition
- Calculation of grey tone or colour differences

# Compact Vision Systems SBOC-Q/SBOI-Q



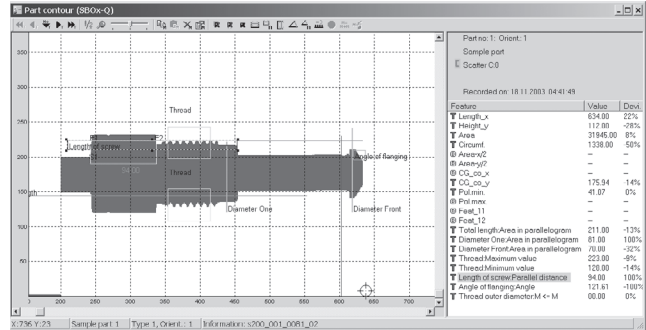
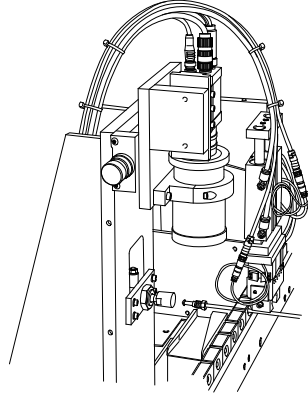
Key features

## Application examples

### Quality inspection of tube with union nut

The inspection takes place with back-lighting; calculated characteristics:

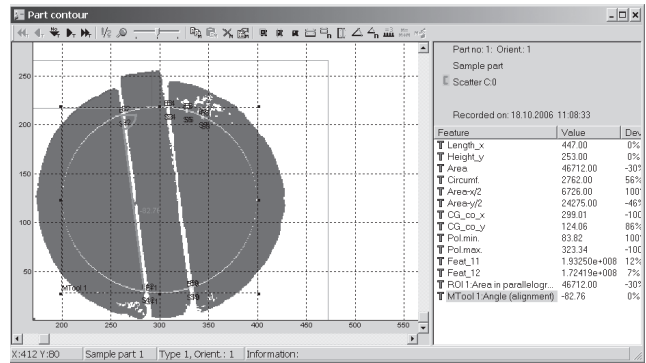
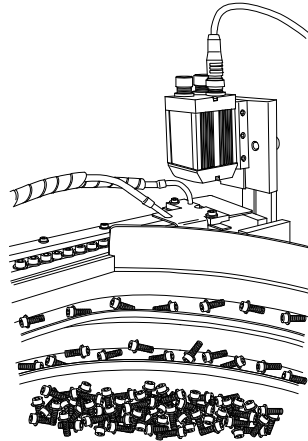
- Length of nut
- Threaded coupling distances
- Diameter of tube
- Thread outside diameter
- Angle measurement on the flange
- Circumference of the screw
- Area of the screw



### Screw type differentiation

The inspection takes place with reflected light; calculated characteristics:

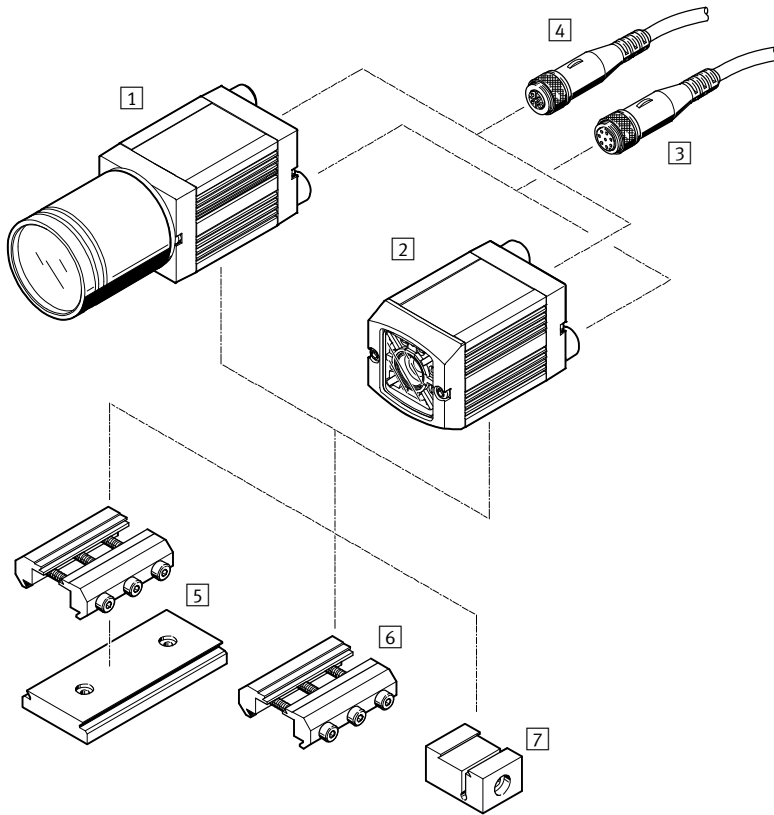
- Centre of gravity coordinates x, y
- Average grey tone of area
- Angle of screw drive to horizontal



# Compact Vision Systems SBOC-Q/SBOI-Q

Peripherals overview

FESTO



Accessories	Brief description	→ Page/Internet
<b>Compact Vision System</b>		
1 SBOC-Q-...	For standard lenses with C mount or CS mount <sup>1)</sup> connection	8
2 SBOI-Q-...	With integrated lens and light	
<b>Plug socket with cable</b>		
3 SIM-M12-8GD-...-PU	For supplying the operating voltage	13
<b>Cable</b>		
4 SBOA-K30E-M12S	Ethernet diagnostic cable	13
- SBOA-K20CP-WS	For integration in a CPI system	
- SBOA-K20CP-SUP	For I/O expansion	
<b>Lens</b>		
- SASF-C-L-F...	Focal length 6 ... 35 mm	12
<b>Mounting attachments</b>		
5 Adapter kit SBOA-HMSV-39	With screw-on adapter plate	11
6 Adapter kit SBOA-HMSV-40	Without screw-on adapter plate	
7 Adapter kit SBOA-HMSV-41	With female thread G1/4 for mounting on commercially available tripods	
- Adapter SBOL-C-5	5 mm spacer ring (CS mount to C mount)	11

1) CS mount without protective tube.

# Compact Vision Systems SBOC-Q/SBOI-Q

Type codes


	SBO	C	-	Q	-	R3	B	-		-		-	S1
<b>Function</b>													
SBO	Compact Vision System												
<b>Design</b>													
C	For standard lenses with C mount or CS mount <sup>1)</sup> connection												
I	Integrated lens												
<b>Equipment</b>													
Q	Field-based camera for quality inspection												
<b>Sensor resolution</b>													
R3	752 x 480 pixels, Wide VGA resolution												
<b>Sensor type</b>													
B	Monochrome												
C	Colour												
<b>Fieldbus interface</b>													
	CAN interface												
WB	Without fieldbus interface												
<b>Application</b>													
S1	Tools add-in												

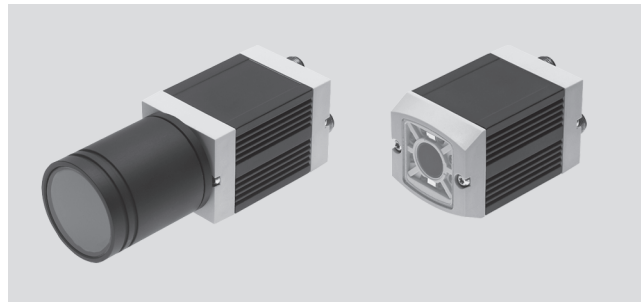
1) CS mount without protective tube.

# Compact Vision Systems SBOC-Q/SBOI-Q

Technical data

-  Voltage  
24 V DC

-  Temperature range  
-10 ... +50 °C



General technical data		
Type	SBOC-Q-R3	SBOI-Q-R3
Sensor resolution	[pixels] 752 x 480	
Exposure time	[ms] 0.018 ... 200	
Frame rate (full image)	[fps] 60	
Sensor type	Monochrome	
	Colour	
Lens mounting	C mount	Integrated lens
	CS mount <sup>1)</sup>	
Operating distance	[mm] Dependent on the lens selected	20 ... 550
Field of vision	[mm] Dependent on the lens selected	7.9x5.5 ... 195x125
Max. no. of inspection programs	256	
Max. no. of orientations	8 per part type	
Sorting function	-	

1) Without protective tube.

Electrical data		
Type	SBOC-Q	SBOI-Q
Nominal operating voltage	[V DC] 24	
Permissible voltage fluctuations	[%] ±10	
Current consumption with load-free outputs	[mA] 120	
Max. residual current	[A] 1.5 at the 24 V outputs	
Input 1	Trigger signal Used by CODESYS	
Input 2	Applying inputs Acknowledging errors Used by CODESYS	
Outputs	Good part Reject part Warning Error External lighting Used by CODESYS	
Protection class	IP65, IP67 <sup>1)</sup>	IP65, IP67

1) Only in combination with protective tube (included in the scope of delivery).



# Compact Vision Systems SBOC-Q/SBOI-Q

Technical data

Electrical data		
Type		SBO...-Q-R3
Sensor resolution	[pixels]	752 x 480
Ethernet interface		
Bus interface		IEEE802.3U (100BaseT)
Connection technology		Plug M12
Data transmission speed	[Mbps]	100
Supported protocols		TCP/IP
		EasyIP
		Telnet
		ModbusTCP

Operating and environmental conditions		
Ambient temperature	[°C]	-10 ... +50
Storage temperature	[°C]	-10 ... +60
Ambient conditions		Screened from extreme external light sources
		Cleanest possible ambient air
CE mark (see declaration of conformity) <sup>1)</sup>		In accordance with EU EMC Directive
Certification		c UL us Recognized (OL)
		RCM trademark

1) For information about the applicability of the component see the manufacturer's EC declaration of conformity at: [www.festo.com/sp](http://www.festo.com/sp) → User documentation.  
If the component is subject to restrictions on usage in residential, office or commercial environments or small businesses, further measures to reduce the emitted interference may be necessary.

Materials	
Housing	Anodised aluminium
Cap	ABS, fibre glass reinforced
Note on materials	Free of copper and PTFE
	RoHS-compliant

Weight [g]		
Lens mounting	C mount/CS mount <sup>1)</sup>	Integrated lens
Type	SBOC-Q-R3	SBOI-Q-R3
Compact Vision System	172	174

1) CS mount without protective tube.

# Compact Vision Systems SBOC-Q/SBOI-Q

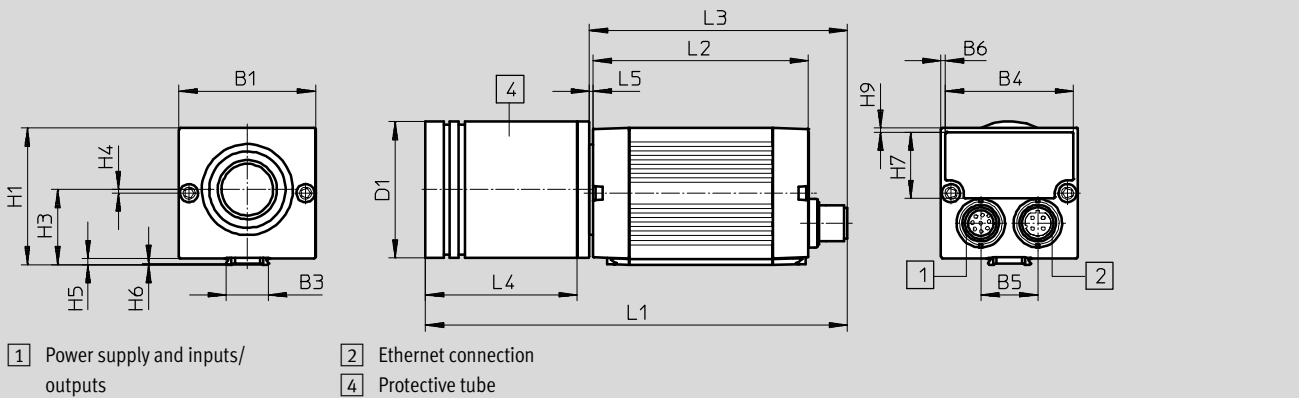
Technical data



## Dimensions

Download CAD data → [www.festo.com](http://www.festo.com)

C mount/CS mount<sup>1)</sup> SBOC-Q-R3



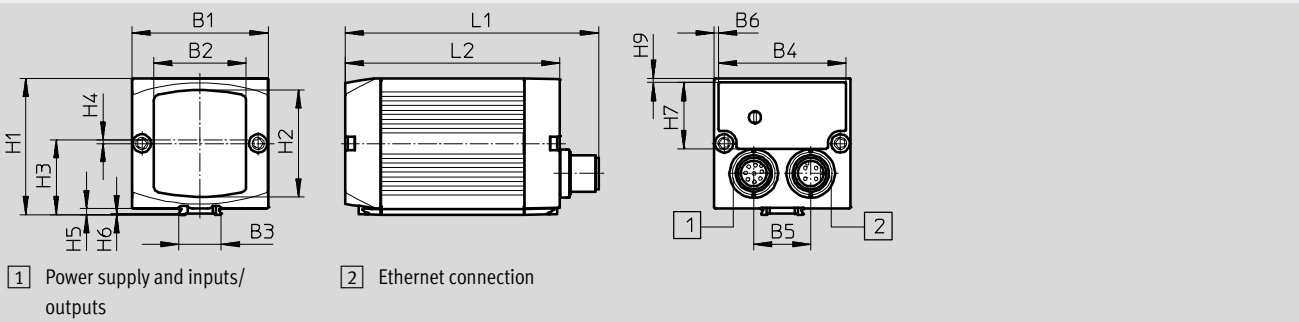
1) CS mount without protective tube.

Type	B1	B3	B4	B5	B6	D1 Ø	H1	H3	H4	H5	H6	H7	H8	H9	L1	L2	L3	L4	L5
SBOC-Q-R3	45	13.91	42.2	18.8	1.4	45	45	24.65	1.15	2	0.3	21.8	-	1.4	139	71	85	50	1.3

## Dimensions

Download CAD data → [www.festo.com](http://www.festo.com)

Integrated lens SBOI-Q-R3



Type	B1	B2	B3	B4	B5	B6	H1	H2	H3	H4	H5	H6	H7	H8	H9	L1	L2
SBOI-Q-R3	45	30.2	13.91	42.2	18.8	1.4	45	35	24.65	1.15	2	0.3	21.8	-	1.4	83.7	71

## Ordering data

	Sensor type	Part No.	Type
752 x 480 pixels, Wide VGA resolution			
For standard lenses with C mount or CS mount <sup>1)</sup> connection	Monochrome	555841	SBOC-Q-R3B-WB
		569777	SBOC-Q-R3B-WB-S1
	Colour	555842	SBOC-Q-R3C-WB
		569778	SBOC-Q-R3C-WB-S1
Integrated lens	Monochrome	555839	SBOI-Q-R3B-WB
		569779	SBOI-Q-R3B-WB-S1
	Colour	555840	SBOI-Q-R3C-WB
		569780	SBOI-Q-R3C-WB-S1

1) CS mount without protective tube.

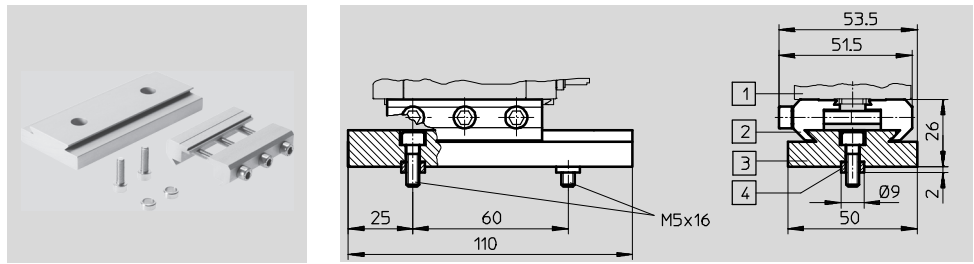
# Compact Vision Systems SBOC-Q/SBOI-Q

Accessories

FESTO

**Adapter kit  
SBOA-HMSV-39**  
with screw-on adapter plate

Material:  
Anodised wrought aluminium alloy

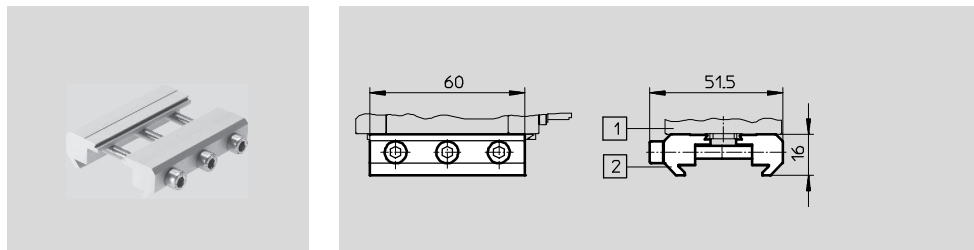


### Ordering data

	Part No.	Type
Adapter kit	541599	SBOA-HMSV-39

**Adapter kit  
SBOA-HMSV-40**  
without screw-on adapter plate

Material:  
Anodised wrought aluminium alloy

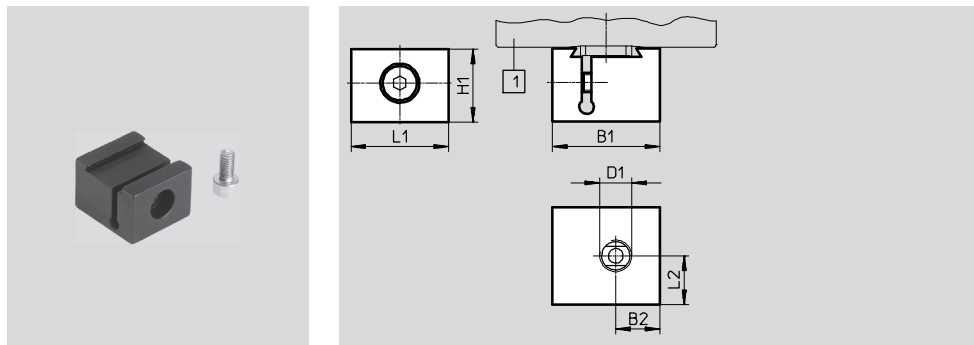


### Ordering data

	Part No.	Type
Adapter kit	541600	SBOA-HMSV-40

**Adapter kit  
SBOA-HMSV-41**  
with female thread G $\frac{1}{4}$  for mounting  
on commercially available tripods

Material:  
Anodised wrought aluminium alloy

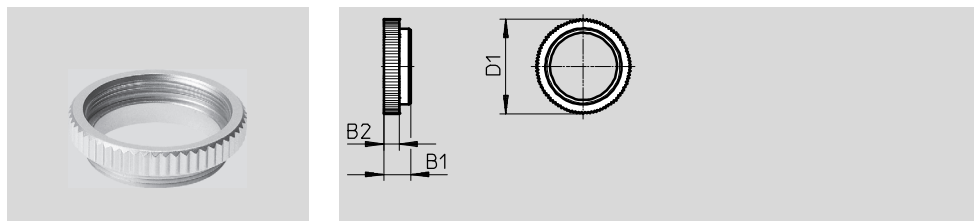


### Ordering data

	Part No.	Type
Adapter kit	542140	SBOA-HMSV-41

**Adapter SBOL-C-5**  
5 mm spacer ring  
(CS mount to C mount)

Material:  
Anodised wrought aluminium alloy



### Ordering data

	Part No.	Type
Adapter	541601	SBOL-C-5

# Compact Vision Systems SBOC-Q/SBOI-Q

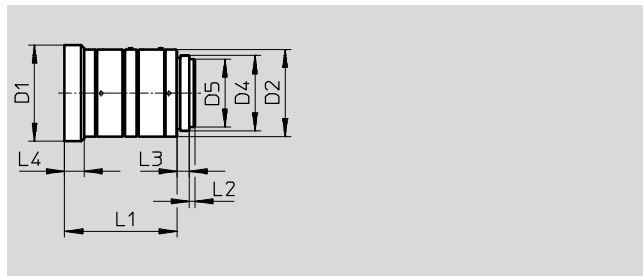
Accessories



## Lens SASF-C-L-F6

Focal depth 6 mm

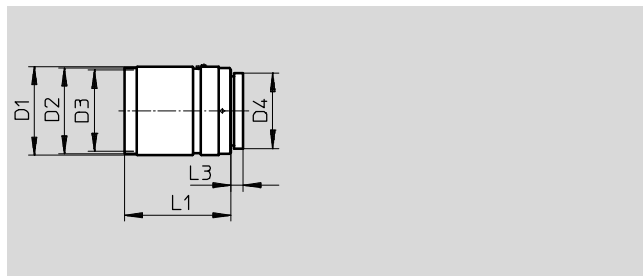
Note on materials:  
Contains PWIS (paint wetting  
impairment substances)  
RoHS-compliant



## Lens SASF-C-L-F16

Focal depth 16 mm

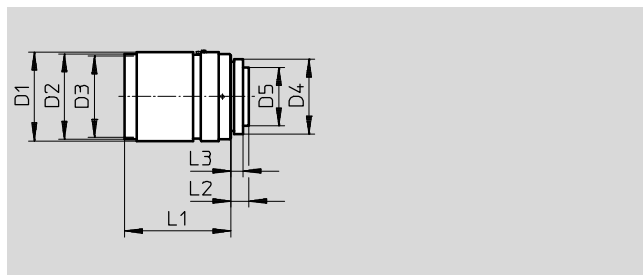
Note on materials:  
Contains PWIS (paint wetting  
impairment substances)  
RoHS-compliant



## Lens SASF-C-L-F12/25/35

Focal depth 12/25/35 mm

Note on materials:  
Contains PWIS (paint wetting  
impairment substances)  
RoHS-compliant



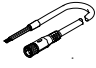
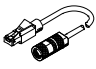
Dimensions									
Type	D1 Ø	D2 Ø	D3 Ø	D4	D5 Ø	L1	L2	L3	L4
SASF-C-L-F6	32	29	–	1-32UN	22.5	37.5	1.9	4	6.5
SASF-C-L-F16	29.5	28.5	27, P=0.5	1-32UN-2A	–	33.2	–	4	–
SASF-C-L-F12	29.5	28.5	27, P=0.5	1-32UN-2A	16.5	32	28.5	4	–
SASF-C-L-F25							6.9		
SASF-C-L-F35							6		


Ordering data – Lenses				Technical data → Internet: sasf-c	
	Brief description	Operating distance [mm]	Focal depth [mm]	Part No.	Type
	C mount for Compact Vision System with sensor resolution R1 and R3	≥200	6	572910	SASF-C-L-F6
	C mount for Compact Vision System with sensor resolution R1 and R3	≥250	12	572911	SASF-C-L-F12
	C mount for Compact Vision System with sensor resolution R1, R2 and R3	≥250	16	572912	SASF-C-L-F16
		25	25	572913	SASF-C-L-F25
		≥350	35	572914	SASF-C-L-F35


# Compact Vision Systems SBOC-Q/SBOI-Q

Accessories

**FESTO**

Ordering data					
	Use	Connection	Cable length [m]	Part No.	Type
Plug socket with cable				Technical data → Internet: sim-m12	
	For supplying the operating voltage	Straight socket, M12x1, 8-pin Open end, 8-pin	2	<b>525616</b>	<b>SIM-M12-8GD-2-PU</b>
			5	<b>525618</b>	<b>SIM-M12-8GD-5-PU</b>
Cable				Technical data → Internet: sboa	
	Ethernet diagnostic cable	Straight socket, M12x1, 4-pin, D-coded RJ45 plug	3	<b>542139</b>	<b>SBOA-K30E-M12S</b>

Ordering data – Documentation					
	Brief description	Language	Part No.	Type	
	Manual User manual in paper form is not included in the scope of delivery for the Compact Vision System	German	<b>548318</b>	<b>P.BE-SBO-Q-DE</b>	
		English	<b>548319</b>	<b>P.BE-SBO-Q-EN</b>	

Ordering data – Software					
	Brief description	Language	Part No.	Type	
	CheckKon software	German, English	<b>194496</b>	<b>P.SW-KON</b>	
	CheckOpti software		<b>568339</b>	<b>P.SW-OPTI</b>	
	SBO...-Q Tools add-in software licence for unlocking tools on the Compact Vision System		<b>570045</b>	<b>GSLO</b>	

# Festo - Your Partner in Automation



**1 Festo Inc.**  
5300 Explorer Drive  
Mississauga, ON L4W 5G4  
Canada

**Festo Customer Interaction Center**  
Tel: 1 877 463 3786  
Fax: 1 877 393 3786  
Email: [customer.service.ca@festo.com](mailto:customer.service.ca@festo.com)



**2 Festo Pneumatic**  
Av. Ceylán 3,  
Col. Tequesquináhuac  
54020 Tlalnepantla,  
Estado de México

**Multinational Contact Center**  
01 800 337 8669  
[ventas.mexico@festo.com](mailto:ventas.mexico@festo.com)



**3 Festo Corporation**  
1377 Motor Parkway  
Suite 310  
Islandia, NY 11749

**Festo Customer Interaction Center**  
1 800 993 3786  
1 800 963 3786  
[customer.service.us@festo.com](mailto:customer.service.us@festo.com)



**4 Regional Service Center**  
7777 Columbia Road  
Mason, OH 45040

Connect with us



[www.festo.com/socialmedia](http://www.festo.com/socialmedia)



[www.festo.com](http://www.festo.com)

Subject to change