

Push-in fittings QBM, mini series, NPT



Push-in fittings QBM, mini series, NPT

Technical data

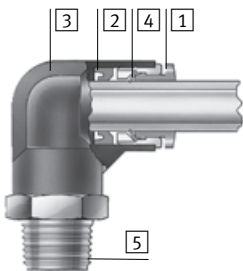
General technical data			
Connecting thread	UNF10-32	NPT1/8-27	NPT1/4-18
Size	Mini		
Design	Push-pull principle		
Mounting position	Any		
Type of seal on threaded plug	Sealing ring	Coating	
Max. tightening torque [ft-lbf]	1.106	5.163	8.851

Operating and environmental conditions	
Operating pressure complete [psi] temperature range	-13.8 ... +145
Operating medium	Compressed air in accordance with ISO 8573-1:2010 [7:-:-]
Note on operating/pilot medium	Operation with lubricated medium possible
Ambient temperature [°F]	32 ... 140
Corrosion resistance class CRC ¹⁾	1

1) Corrosion resistance class CRC 1 to Festo standard FN 940070
Low corrosion stress. For dry indoor applications or transport and storage protection. Also applies to parts behind covers, in the non-visible interior area, and parts which are covered in the application (e.g. drive trunnions).

Materials

Sectional view



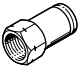
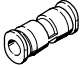

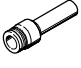
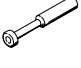

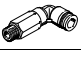



Materials			
Push-in fitting QBM/QBMF/QBML/QBMLL/QBMT/QBMTL			
1	Release ring	POM (colour: grey)	
2	Tubing seal	NBR	
3	Housing	QBM/QBMF	Nickel-plated brass
		QBML/QBMLL/QBMT/ QBMTL	PBT
4	Tube retaining claw	High-alloy stainless steel	
5	Threaded plug	QBML/QBMLL/QBMT/ QBMTL	Nickel-plated brass
		Threaded seal (NPT thread only)	PTFE
Note on materials		Contains PWIS (paint-wetting impairment substances) RoHS-compliant	
Push-in connector QBM/QBML/QBMT/QBMY			
1	Release ring	POM (colour: grey)	
2	Tubing seal	NBR	
3	Housing	PBT	
4	Tube retaining claw	High-alloy stainless steel	
Note on materials		Contains PWIS (paint-wetting impairment substances) RoHS-compliant	
Blanking plug QBMC			
3	Housing	PBT	
Note on materials		Contains PWIS (paint-wetting impairment substances) RoHS-compliant	

Push-in fittings QBM, mini series, NPT







Product range overview

FESTO

Design	Version	Type	Connection D1				Connection D2		→ Page/ Internet
			UNF thread	NPT thread	Tubing O.D.	Push-in sleeve Ø	Tubing O.D.	Push-in sleeve Ø	
Straight design	Push-in fitting – Male thread with external hex								
		QBM	10-32	–	–	–	1/8, 5/32, 1/4	–	5
			–	1/8			1/8, 5/32, 1/4		
				1/4			1/8, 1/4		
	Push-in fitting – Male thread with internal hex								
		QBM-...-I	10-32	–	–	–	1/8, 5/32, 1/4	–	5
			–	1/8			1/4		
	Push-in fitting – Female thread with external hex								
		QBMF	10-32	–	–	–	1/8, 5/32, 1/4	–	6
	Push-in connector								
	QBM-...T	–	–	1/8	–	–	–	7	
				5/32					
				1/4					
	QBM-...-T reducing	–	–	5/32	–	1/8	–		
				3/16		1/8			
				1/4		5/32			
Push-in connector with push-in sleeve									
	QBM-...H	–	–	–	5/32	1/8	–	7	
Blanking plug									
	QBMC-...H	–	–	–	1/8	–	–	8	
L-shape	Push-in L-fitting – Male thread with external hex								
		QBML	10-32	–	–	–	1/8, 5/32, 1/4	–	9
			–	1/8			1/8, 1/4		
				1/4			1/8, 1/4		
	Push-in long L-fitting – Male thread with external hex								
		QBMLL	10-32	–	–	–	1/8, 1/4	–	9
		–	1/8			1/8, 1/4			
Push-in L-connector									
	QBML-...T	–	–	1/8	–	–	–	10	
				5/32					
				1/4					

Push-in fittings QBM, mini series, NPT

Product range overview

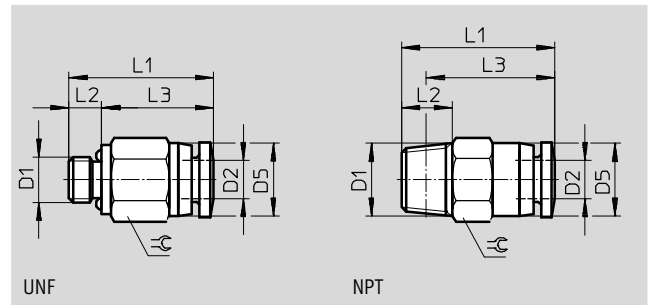
Design	Version	Type	Connection D1				Connection D2		→ Page/ Internet
			UNF thread	NPT thread	Tubing O.D.	Push-in sleeve Ø	Tubing O.D.	Push-in sleeve Ø	
T-shape	Push-in T-fitting – Male thread with external hex								
		QBMT	10-32	–	–	–	1/8, 5/32, 1/4	–	11
			–	1/8			1/8, 1/4		
			–	1/4			1/4		
	Push-in T-connector								
		QBMT-...T	–	–	1/8	–	–	–	12
			–	–	5/32	–	–	–	
			–	–	1/4	–	–	–	
		QBMT-...T reducing	–	–	5/32	–	1/8	–	
			–	–	1/4	–	5/32	–	
Push-in T-fitting – Male thread with external hex									
	QBMTL	10-32	–	–	–	1/8, 5/32, 1/4	–	13	
		–	1/8			1/8, 1/4			
		–	1/4			1/8			
Y-shape	Push-in Y-connector								
		QBMY-...T	–	–	1/8	–	–	–	14
			–	–	5/32	–	–	–	
			–	–	1/4	–	–	–	
		QBMY-...T reducing	–	–	5/32	–	1/8	–	
–			–	1/4	–	5/32	–		

Push-in fittings QBM, mini series, NPT

Technical data

Push-in fitting QBM

Male thread
with external hex

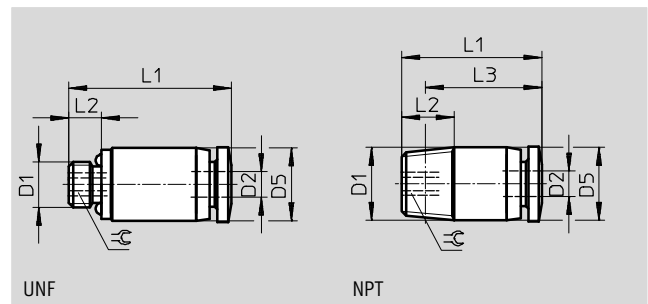


Dimensions and ordering data											
Pneumatic connection		Nominal size	Dimensions [in]					Weight/ piece	Part No.	Type	PU ¹⁾
Male thread	For tubing O.D.		D5 ∅	L1	L2	L3	⌀				
D1	D2	[in]					[oz]				
UNF thread											
UNF10-32	1/8	0.079	0.283	0.646	0.142	0.504	5/16	0.071	533266	QBM-10-32-UNF-1/8-U	10
	5/32	0.098	0.315	0.665	0.142	0.524	5/16	0.106	572303	QBM-10-32-UNF-5/32-U	10
	1/4	0.098	0.413	0.744	0.142	0.602	7/16	0.353	573050	QBM-10-32-UNF-1/4-U	10
NPT thread											
NPT1/8-27	1/8	0.098	0.283	0.689	0.335	0.528	7/16	0.212	533270	QBM-1/8-1/8-U	10
	5/32	0.118	0.315	0.705	0.335	0.543	7/16	0.317	572305	QBM-1/8-5/32-U	10
	1/4	0.197	0.413	0.768	0.335	0.606	7/16	0.635	573051	QBM-1/8-1/4-U	10
NPT1/4-18	1/8	0.098	0.283	0.846	0.413	0.618	9/16	0.529	572306	QBM-1/4-1/8-U	10
	1/4	0.197	0.413	0.878	0.413	0.650	9/16	1.023	573052	QBM-1/4-1/4-U	10

1) Packaging unit

Push-in fitting QBM-...-I

Male thread
with internal hex



Dimensions and ordering data											
Pneumatic connection		Nominal size	Dimensions [in]					Weight/ piece	Part No.	Type	PU ¹⁾
Male thread	For tubing O.D.		D5 ∅	L1	L2	L3	⌀				
D1	D2	[in]					[oz]				
UNF thread											
UNF10-32	1/8	0.094	0.276	0.646	0.142	-	3/32	0.071	572311	QBM-10-32-UNF-1/8-I-U	10
	5/32	0.094	0.315	0.669	0.142	-	3/32	0.106	572312	QBM-10-32-UNF-5/32-I-U	10
	1/4	0.094	0.413	0.748	0.142	-	3/32	0.423	573054	QBM-10-32-UNF-1/4-I-U	10
NPT thread											
NPT1/8-27	1/4	0.157	0.413	0.768	0.335	0.606	3/32	0.635	573055	QBM-1/8-1/4-I-U	10

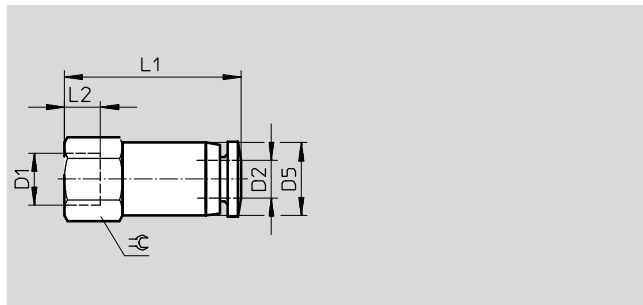
1) Packaging unit

Push-in fittings QBM, mini series, NPT

Technical data



Push-in fitting QBMF



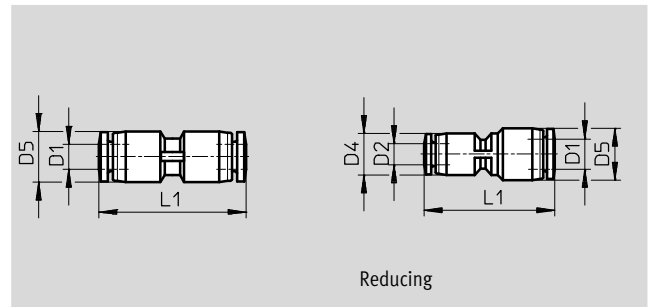
Dimensions and ordering data										
Pneumatic connection		Nominal size [in]	Dimensions [in]				Weight/ piece [oz]	Part No.	Type	PU ¹⁾
Female thread	For tubing O.D.		D5 \varnothing	L1	L2	\approx				
D1	D2									
UNF thread										
UNF10-32	1/8	0.098	0.295	0.740	0.236	5/16	0.071	572282	QBMF-10-32-UNF-1/8-U	10
	5/32	0.118	0.315	0.756	0.236	5/16	0.176	572283	QBMF-10-32-UNF-5/32-U	10
	1/4	0.118	0.413	0.807	0.236	7/16	0.212	573066	QBMF-10-32-UNF-1/4-U	10

1) Packaging unit

Push-in fittings QBM, mini series, NPT

Technical data

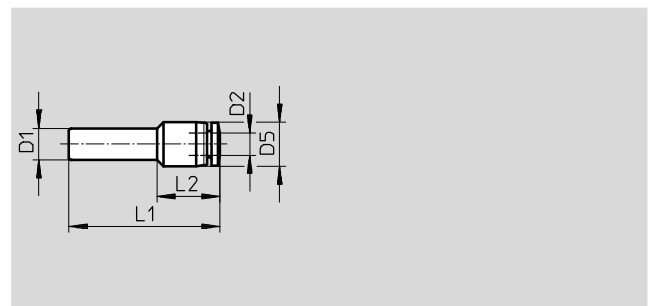
Push-in connector QBM-...T



Dimensions and ordering data									
Pneumatic connection		Nominal size [in]	Dimensions [in]			Weight/ piece [oz]	Part No.	Type	PU ¹⁾
For tubing O.D. D1	For tubing O.D. D2		D4 Ø	D5 Ø	L1				
1/8	-	0.094	-	0.295	0.929	0.035	572277	QBM-1/8T-U	10
5/32	-	0.118	-	0.331	0.965	0.071	572278	QBM-5/32T-U	10
1/4	-	0.197	-	0.441	1.126	0.106	573056	QBM-1/4T-U	10
Reducing									
5/32	1/8	0.094	0.295	0.331	0.949	0.071	572279	QBM-5/32T-1/8-U	10
3/16	-	0.098	0.295	0.453	1.130	0.106	573057	QBM-3/16T-1/8-U	10
1/4	5/32	0.138	0.346	0.441	1.106	0.106	573058	QBM-1/4T-5/32-U	10

1) Packaging unit

Push-in connector QBM-...H with push-in sleeve



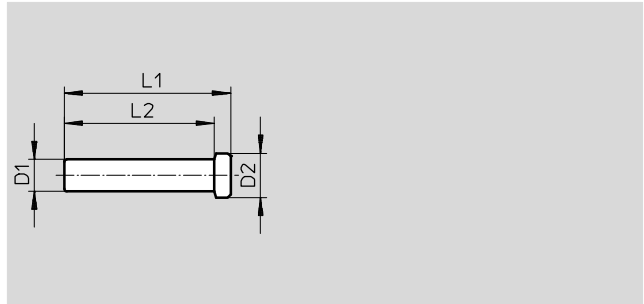
Dimensions and ordering data									
Pneumatic connection		Nominal size [in]	Dimensions [in]			Weight/ piece [oz]	Part No.	Type	PU ¹⁾
Push-in sleeve Ø D1	For tubing O.D. D2		D5 Ø	L1	L2				
5/32	1/8	0.094	0.299	1.197	0.488	0.035	572280	QBM-5/32H-1/8-U	10

1) Packaging unit

Push-in fittings QBM, mini series, NPT

Technical data

Blanking plug QBMC-...H



Dimensions and ordering data							
Pneumatic connection	Dimensions [in]			Weight/ piece	Part No.	Type	PU ¹⁾
Push-in sleeve \varnothing	D2 \varnothing	L1	L2				
D1				[oz]			
1/8	0.197	0.787	0.709	0.035	572281	QBMC-1/8H-U	10

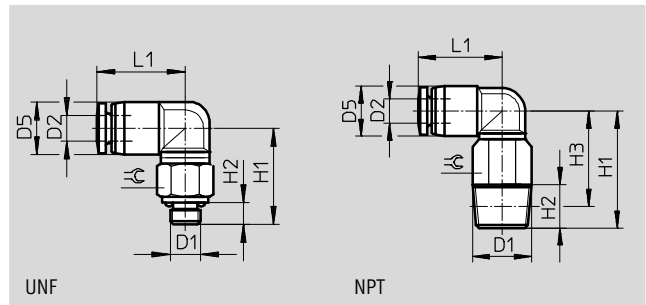
1) Packaging unit

Push-in fittings QBM, mini series, NPT

Technical data

Push-in L-fitting QBML

Male thread
with external hex

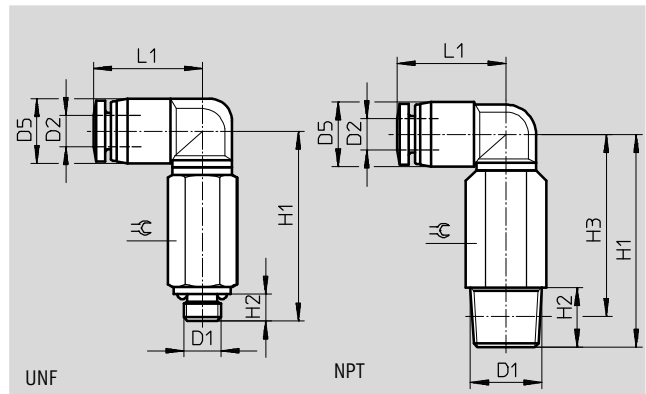


Dimensions and ordering data												
Pneumatic connection		Nominal size [in]	Dimensions [in]						Weight/ piece [oz]	Part No.	Type	PU ¹⁾
Male thread	For tubing O.D.		D5 ∅	H1	H2	H3	L1	≅				
D1	D2	[in]										
UNF thread												
UNF10-32	1/8	0.098	0.299	0.602	0.142	-	0.531	5/16	0.071	533285	QBML-10-32-UNF-1/8-U	10
	5/32	0.098	0.343	0.626	0.142	-	0.575	5/16	0.176	572308	QBML-10-32-UNF-5/32-U	10
	1/4	0.098	0.445	0.677	0.142	-	0.634	5/16	0.353	573059	QBML-10-32-UNF-1/4-U	10
NPT thread												
NPT1/8-27	1/8	0.098	0.299	0.622	0.335	0.461	0.531	7/16	0.176	533289	QBML-1/8-1/8-U	10
	1/4	0.118	0.445	0.697	0.335	0.535	0.634	7/16	0.564	573060	QBML-1/8-1/4-U	10
NPT1/4-18	1/8	0.098	0.299	0.720	0.413	0.492	0.531	9/16	0.282	572310	QBML-1/4-1/8-U	10
	1/4	0.118	0.445	0.795	0.413	0.567	0.634	9/16	0.811	573061	QBML-1/4-1/4-U	10

1) Packaging unit

Push-in long L-fitting QBMLL

Male thread
with external hex



Dimensions and ordering data												
Pneumatic connection		Nominal size [in]	Dimensions [in]						Weight/ piece [oz]	Part No.	Type	PU ¹⁾
Male thread	For tubing O.D.		D5 ∅	H1	H2	H3	L1	≅				
D1	D2	[in]										
UNF thread												
UNF10/32	1/8	0.098	0.299	0.941	0.142	-	0.531	5/16	0.282	572286	QBMLL-10-32-UNF-1/8-U	10
	1/4	0.098	0.445	1.130	0.142	-	0.634	5/16	0.317	573064	QBMLL-10-32-UNF-1/4-U	10
NPT thread												
NPT1/8-27	1/8	0.098	0.299	0.961	0.335	0.799	0.531	7/16	0.388	572287	QBMLL-1/8-1/8-U	10
	1/4	0.118	0.445	1.287	0.335	1.126	0.634	7/16	0.494	573065	QBMLL-1/8-1/4-U	10

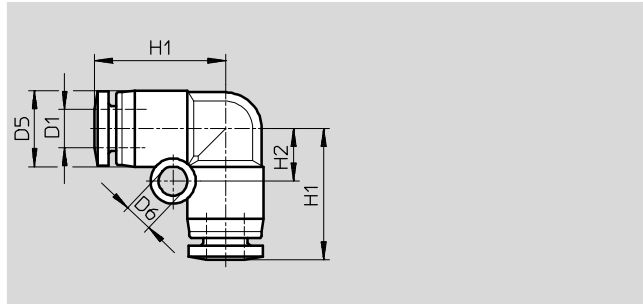
1) Packaging unit

Push-in fittings QBM, mini series, NPT

Technical data

FESTO

Push-in L-connector QBML-...T



Dimensions and ordering data									
Pneumatic connection	Nominal size	Dimensions [in]				Weight/ piece	Part No.	Type	PU ¹⁾
For tubing O.D.		D5 ∅	D6 ∅	H1	H2				
D1	[in]					[oz]			
1/8	0.094	0.295	0.126	0.531	0.213	0.071	572284	QBML-1/8T-U	10
5/32	0.118	0.331	0.126	0.571	0.228	0.106	572285	QBML-5/32T-U	10
1/4	0.197	0.441	0.130	0.693	0.276	0.176	573063	QBML-1/4T-U	10

1) Packaging unit

Push-in fittings QBM, mini series, NPT

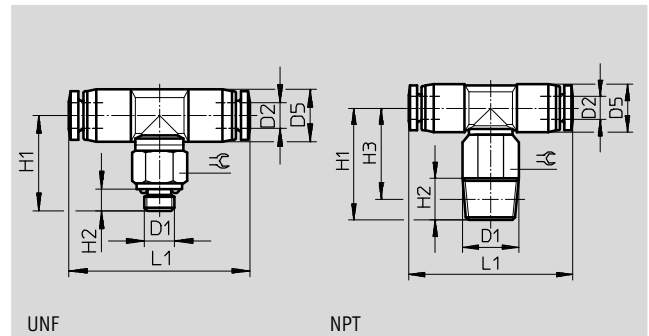
Technical data

Push-in T-fitting QBMT

Male thread
with external hex



NPT thread



UNF

NPT

Dimensions and ordering data												
Pneumatic connection		Nominal size [in]	Dimensions [in]						Weight/ piece [oz]	Part No.	Type	PU ¹⁾
Male thread	For tubing O.D.		D5 ∅	H1	H2	H3	L1	≅				
D1	D2											
UNF thread												
UNF10-32	1/8	0.098	0.299	0.602	0.142	-	1.142	5/16	0.071	533304	QBMT-10-32-UNF-1/8-U	10
	5/32	0.098	0.343	0.626	0.142	-	1.189	5/16	0.088	572289	QBMT-10-32-UNF-5/32-U	10
	1/4	0.098	0.445	0.677	0.142	-	1.268	5/16	0.353	573067	QBMT-10-32-UNF-1/4-U	10
NPT thread												
NPT1/8-27	1/8	0.098	0.299	0.622	0.335	0.461	1.142	7/16	0.176	533308	QBMT-1/8-1/8-U	10
	1/4	0.138	0.445	0.697	0.335	0.535	1.268	7/16	0.564	573068	QBMT-1/8-1/4-U	10
NPT1/4-18	1/8	0.098	0.299	0.720	0.413	0.492	1.142	9/16	0.423	572291	QBMT-1/4-1/8-U	10

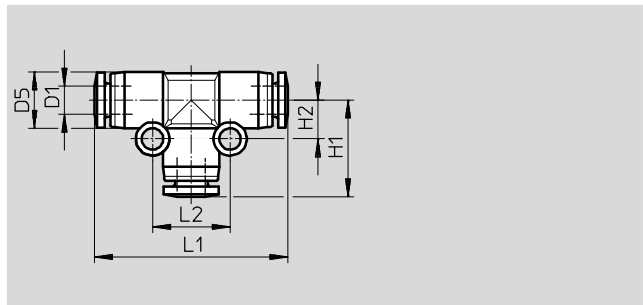
1) Packaging unit

Push-in fittings QBM, mini series, NPT

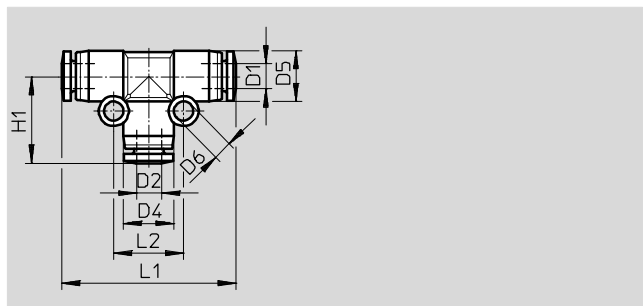
Technical data



Push-in T-connector QBMT-...T



Reducing



Dimensions and ordering data												
Pneumatic connection		Nominal size	Dimensions [in]						Weight/ piece	Part No.	Type	PU ¹⁾
For tubing O.D. D1	For tubing O.D. D2		D4 ∅	D5 ∅	D6 ∅	H1	L1	L2				
1/8	–	0.094	–	0.295	0.126	0.531	1.063	0.425	0.106	572293	QBMT-1/8T-U	10
5/32	–	0.118	–	0.331	0.126	0.571	1.142	0.457	0.141	572294	QBMT-5/32T-U	10
1/4	–	0.197	–	0.441	0.130	0.693	1.386	0.551	0.212	573069	QBMT-1/4T-U	10
Reducing												
5/32	1/8	0.094	0.331	0.331	0.126	0.567	1.142	0.457	0.141	572292	QBMT-5/32T-1/8-U	10
1/4	5/32	0.118	0.441	0.441	0.130	0.693	1.386	0.551	0.176	573070	QBMT-1/4T-5/32-U	10

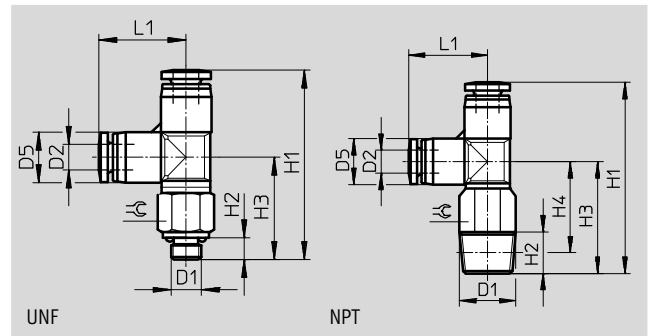
1) Packaging unit

Push-in fittings QBM, mini series, NPT

Technical data

Push-in T-fitting QBMTL

Male thread
with external hex



Dimensions and ordering data													
Pneumatic connection		Nominal size	Dimensions [in]							Weight/ piece	Part No.	Type	PU ¹⁾
Male thread	For tubing O.D.		D5	H1	H2	H3	H4	L1	⌀				
D1	D2	[in]	∅							[oz]			
UNF thread													
UNF10-32	1/8	0.098	0.299	1.138	0.142	0.602	-	0.535	5/16	0.071	572295	QBMTL-10-32-UNF-1/8-U	10
	5/32	0.098	0.343	1.197	0.142	0.626	-	0.571	5/16	0.176	572296	QBMTL-10-32-UNF-5/32-U	10
	1/4	0.098	0.441	1.378	0.142	0.673	-	0.705	5/16	0.353	573071	QBMTL-10-32-UNF-1/4-U	10
NPT thread													
NPT1/8-27	1/8	0.098	0.299	1.157	0.335	0.622	0.461	0.535	7/16	0.176	572297	QBMTL-1/8-1/8-U	10
	1/4	0.118	0.441	1.398	0.335	0.693	0.531	0.705	7/16	0.564	573072	QBMTL-1/8-1/4-U	10
NPT1/4-18	1/8	0.098	0.299	1.256	0.413	0.720	0.492	0.535	9/16	0.423	572298	QBMTL-1/4-1/8-U	10

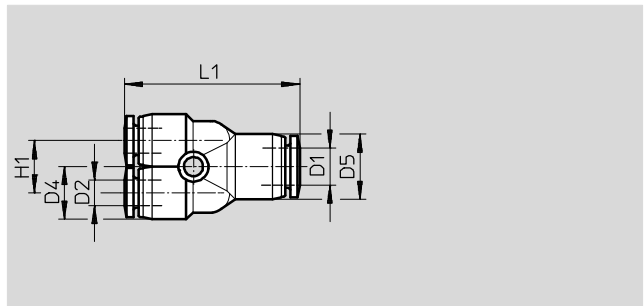
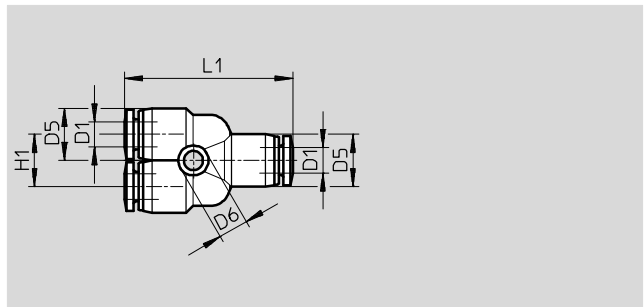
1) Packaging unit

Push-in fittings QBM, mini series, NPT

Technical data



Push-in Y-connector QBM...T



Reducing

Dimensions and ordering data											
Pneumatic connection		Nominal size	Dimensions [in]					Weight/ piece	Part No.	Type	PU ¹⁾
For tubing O.D. D1	For tubing O.D. D2		D4 Ø	D5 Ø	D6 Ø	H1	L1				
1/8	–	0.094	–	0.299	0.126	0.299	1.055	0.141	572299	QBM-1/8T-U	10
5/32	–	0.118	–	0.343	0.126	0.343	1.102	0.106	572300	QBM-5/32T-U	10
1/4	–	0.197	–	0.445	0.126	0.445	1.283	0.176	573073	QBM-1/4T-U	10
Reducing											
5/32	1/8	0.094	0.299	0.343	0.126	0.299	1.083	0.141	572301	QBM-5/32T-1/8-U	10
1/4	5/32	0.118	0.343	0.445	0.126	0.343	1.173	0.176	573074	QBM-1/4T-5/32-U	10

1) Packaging unit

Festo - Your Partner in Automation



1 Festo Inc.
5300 Explorer Drive
Mississauga, ON L4W 5G4
Canada

Festo Customer Interaction Center
Tel: 1 877 463 3786
Fax: 1 877 393 3786
Email: customer.service.ca@festo.com



2 Festo Pneumatic
Av. Ceylán 3,
Col. Tequesquináhuac
54020 Tlalnepantla,
Estado de México

Multinational Contact Center
01 800 337 8669
ventas.mexico@festo.com



3 Festo Corporation
1377 Motor Parkway
Suite 310
Islandia, NY 11749

Festo Customer Interaction Center
1 800 993 3786
1 800 963 3786
customer.service.us@festo.com



4 Regional Service Center
7777 Columbia Road
Mason, OH 45040

Connect with us



www.festo.com/socialmedia



www.festo.com

Subject to change