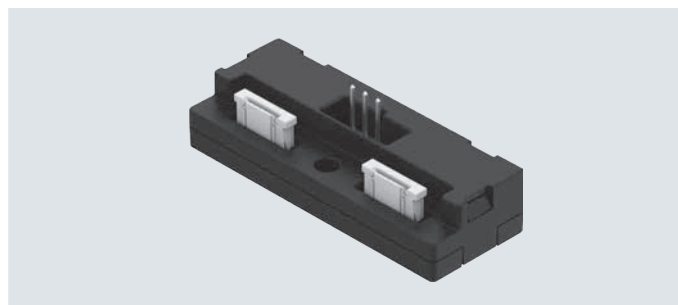


Data sheet

Electronic plug base NEFV

- Can only be used in combination with electronics module VAVE-P12-TP-5YL1-P
- For the electrical control of piezo valves VEAЕ and VEMR



General technical data

Operating voltage range	[V DC]	0 ... 310
Product weight	[g]	6.8
Type of mounting		Via through-hole
Cable outlet		Straight
Degree of protection		IP40
Note on degree of protection		In assembled state
Protective earth connection		Not provided

Technical data – Electrical connection 1

Type	NEFV-V13-XX4G3-T1G3	NEFV-V14-XX4G3-T1G3
Connection type	Socket	
Function	Field device side	
Design	Rectangular	
Connection technology	ZIF	
Number of pins/wires	5	12
Assigned pins/wires	3	
Type of mounting	Plug-in	

Technical data – Electrical connection 2

Type	NEFV-V13-XX4G3-T1G3	NEFV-V14-XX4G3-T1G3
Connection type	Socket	
Function	Field device side	
Design	Rectangular	
Connection technology	ZIF	
Number of pins/wires	5	12
Assigned pins/wires	3	
Type of mounting	Plug-in	

Technical data – Electrical connection 3

Connection type	Plug
Function	Controller side
Design	Rectangular
Connection technology	Festo-specific coding
Number of pins/wires	3
Assigned pins/wires	3
Type of mounting	Plug-in

Materials

Housing	PA
Housing colour	Black
Note on materials	RoHS-compliant
Material information, pin contact	Nickel-plated and gold-plated bronze

Data sheet

Operating and environmental conditions

Ambient temperature	[°C]	-10 ... +60
Storage temperature	[°C]	-40 ... +80
Pollution degree		2
Corrosion resistance class CRC ¹⁾		1
CE marking (see declaration of conformity) ²⁾		In accordance with EU RoHS Directive ²⁾
UKCA marking (see declaration of conformity) ²⁾		To UK instructions for EMC

- 1) Corrosion resistance class CRC 1 to Festo standard FN 940070
 Low corrosion stress. Dry indoor application or transport and storage protection. Also applies to parts behind covers, in the non-visible interior area, and parts which are covered in the application (e.g. drive trunnions).
- 2) For information about the area of use, see the EC declaration of conformity at: www.festo.com/catalogue/... → Support/Downloads.
 If the devices are subject to usage restrictions in residential, commercial or light-industrial environments, further measures for the reduction of the emitted interference may be necessary.

Circuitry (socket view) – NEFV-V13

Front view	Pin/connection	Function	
	Electrical connection 1		
	Field device side	ZIF 1	Valve 1
	Electrical connection 3		
	1		Earth
	2		Signal for valve 1
	3		Signal for valve 2
Electrical connection 2			
Field device side	ZIF 2	Valve 2	

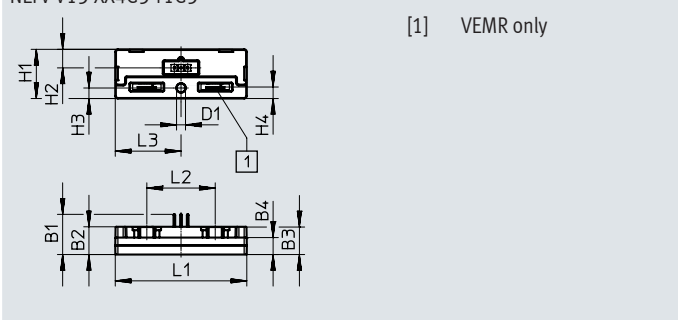
Circuitry (socket view) – NEFV-V14

Front view	Pin/connection	Function	
	Electrical connection 1		
	Field device side	ZIF 1	Valve 1
	Electrical connection 3		
	1		Earth
	2		Signal for valve 1
	3		Signal for valve 2
Electrical connection 2			
Field device side	ZIF 2	Valve 2	

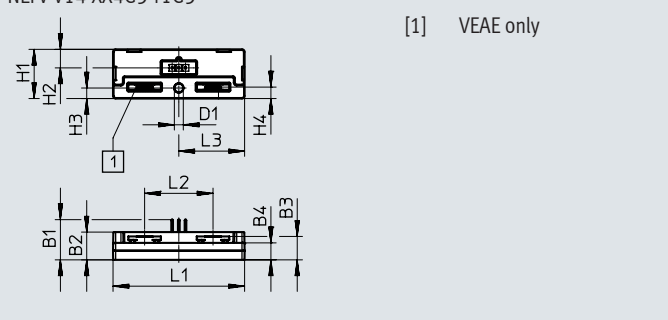
Dimensions

Download CAD data → www.festo.com

NEFV-V13-XX4G3-T1G3



NEFV-V14-XX4G3-T1G3



Type	B1	B2	B3	B4	D1 ∅	H1	H2	H3	H4	L1	L2	L3
NEFV-V13-XX4G3-T1G3	15.3	10.6	10.5	6.5	3.4	18.7	7.1	4	4.4	50	26	25
NEFV-V14-XX4G3-T1G3	15.3	10.6	8.9	6.5	3.4	18.7	7.1	4	4.4	50	26	25

Data sheet

Ordering data	Description	Part no.	Type
	For the electrical control of piezo valve VEMR	8109877	NEFV-V13-XX4G3-T1G3
	For the electrical control of piezo valve VEAE	8109878	NEFV-V14-XX4G3-T1G3

Festo - Your Partner in Automation



1 Festo Inc.
5300 Explorer Drive
Mississauga, ON L4W 5G4
Canada

Festo Customer Interaction Center
Tel: 1 877 463 3786
Fax: 1 877 393 3786
Email: customer.service.ca@festo.com



2 Festo Pneumatic
Av. Ceylán 3,
Col. Tequesquináhuac
54020 Tlalnepantla,
Estado de México

Multinational Contact Center
01 800 337 8669
ventas.mexico@festo.com



3 Festo Corporation
1377 Motor Parkway
Suite 310
Islandia, NY 11749

Festo Customer Interaction Center
1 800 993 3786
1 800 963 3786
customer.service.us@festo.com



4 Regional Service Center
7777 Columbia Road
Mason, OH 45040

Connect with us



www.festo.com/socialmedia



www.festo.com

Subject to change