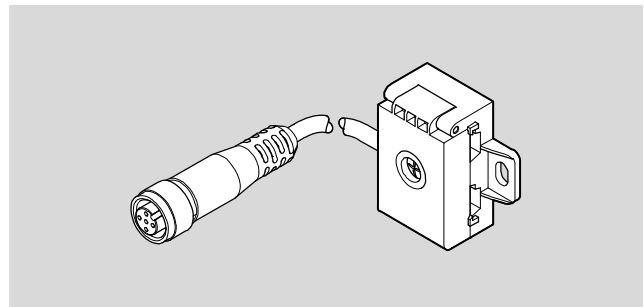


Electrical adapters NEFU, universal

Technical data

Cable socket NEFU-X2

- Cable socket for branching the AS-interface network at any desired point
- Reconnection from AS-interface flat cable to 5-pin M12 socket
- Reverse polarity protected



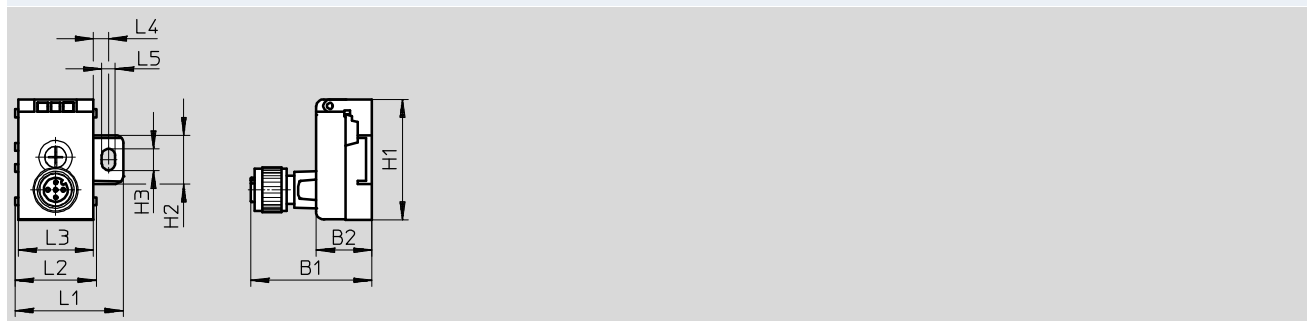
General technical data			
Type	NEFU-X22F-M12G4	NEFU-X24F-1-M12G4	NEFU-X24F-M12G4
Fieldbus interface	Socket, 4-pin, M12x1, A-coded		
Nominal operating voltage, AS-interface [V DC]	26.5		
Operating voltage, AS-interface [V DC]	26.5 ... 31.6		
Nominal operating voltage, load voltage [V DC]	–	24	24
Operating voltage, load voltage [V DC]	–	20.4 ... 26.4	20.4 ... 26.4
Type of mounting	Via through-hole		
Max. tightening torque [Nm]	1.65		
Protection class to EN 60529	IP65 (assembled)		

Materials	
Housing	PA
Cover	PA
Note on materials	RoHS-compliant

Operating and environmental conditions		
Ambient temperature [°C]	–25 ... +75	
Storage temperature [°C]	–25 ... +85	

Dimensions Download CAD data → www.festo.com

NEFU-X22F-M12G4 and NEFU-X24F-M12G4

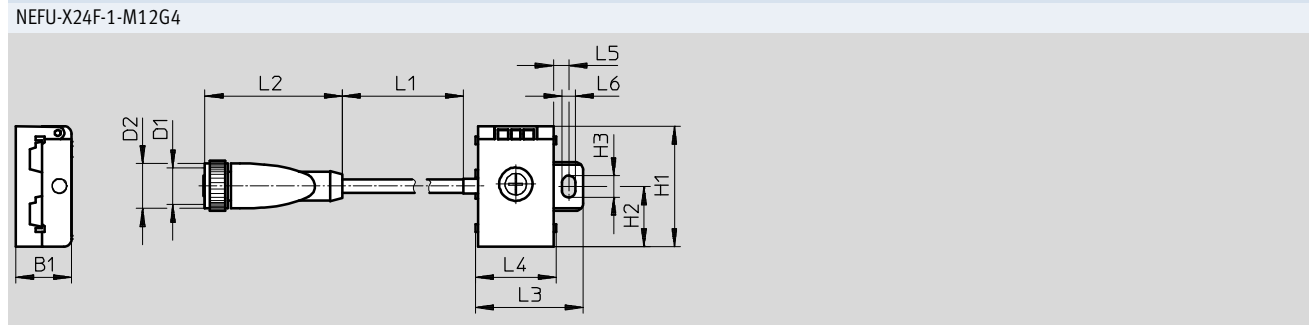


Type	B1	B2	H1	H2	H3	L1	L2	L3	L4	L5
NEFU-X22F-M12G4	40	19	40	16	7	36	26	25	5	4
NEFU-X24F-M12G4										

Electrical adapters NEFU, universal

Technical data

Dimensions Download CAD data → www.festo.com



Type	B1	D1	D2	H1	H2	H3	L1	L2	L3	L4	L5	L6
NEFU-X24F-1-M12G4	19	M12	15	40	20	7	1000	45	36	26	5	4

Ordering data					
	AS-interface connection	Weight	Cable length	Part No.	Type
	Without load voltage supply	30 g	–	572225	NEFU-X22F-M12G4
	With load voltage supply	30 g	–	572226	NEFU-X24F-M12G4
	With load voltage supply	60 g	1 m	572227	NEFU-X24F-1-M12G4

Ordering data – Accessories					
	Designation		Part No.	Type	
	Straight sensor plug for cable Ø 2.5 mm	M12, 4-pin	192008	SEA-4GS-7-2,5	
	Straight sensor plug	M12, 4-pin, PG7	18666	SEA-GS-7	
		M12, PG9, 4-pin	18778	SEA-GS-9	
	Plug M12 for 2 connecting cables	4-pin, PG11	18779	SEA-GS-11-DUO	
	Connecting cable, straight plug, straight socket	M12, 4-pin/5-pin, 0.5 m	8000208	NEBU-M12G5-F-0.5-M12G4	
	Modular system for connecting cables		–		→ Internet: nebu

Festo - Your Partner in Automation



1 Festo Inc.
5300 Explorer Drive
Mississauga, ON L4W 5G4
Canada

Festo Customer Interaction Center
Tel: 1 877 463 3786
Fax: 1 877 393 3786
Email: customer.service.ca@festo.com



2 Festo Pneumatic
Av. Ceylán 3,
Col. Tequesquináhuac
54020 Tlalnepantla,
Estado de México

Multinational Contact Center
01 800 337 8669
ventas.mexico@festo.com



3 Festo Corporation
1377 Motor Parkway
Suite 310
Islandia, NY 11749

Festo Customer Interaction Center
1 800 993 3786
1 800 963 3786
customer.service.us@festo.com



4 Regional Service Center
7777 Columbia Road
Mason, OH 45040

Connect with us



www.festo.com/socialmedia



www.festo.com

Subject to change